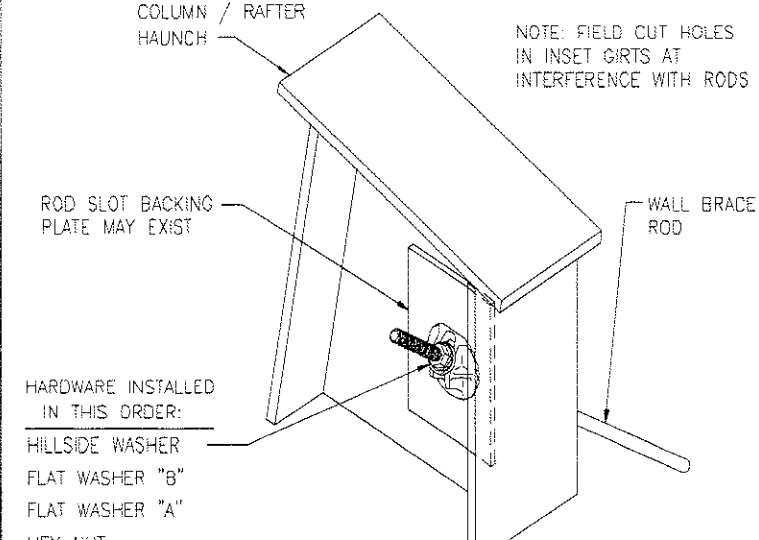
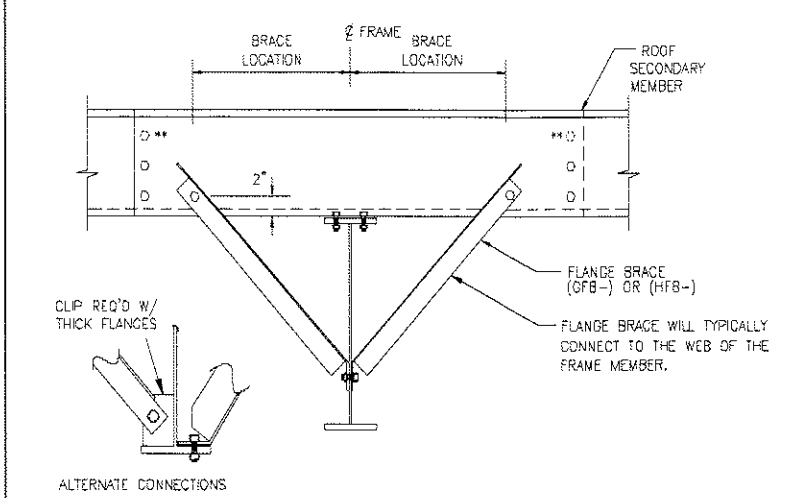


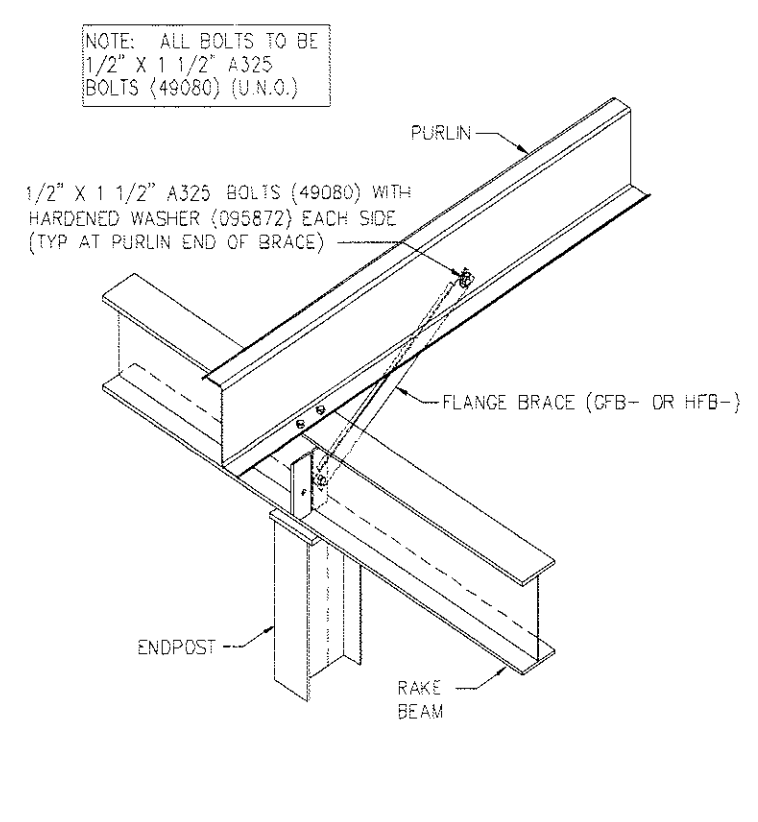
ROD DIA.	NUT	WASHERS		
		A	B	HILLSIDE
3/8"	095321	096408	46040	043657
1/2"	095230	095872	095946	043657
5/8"	095233	095945	095946	043657
3/4"	095235	095948	095948	043658
7/8"	095237	095947	095948	043658
1"	095238	095948	095949	043659
1 1/8"	095239	095949	095949	043659



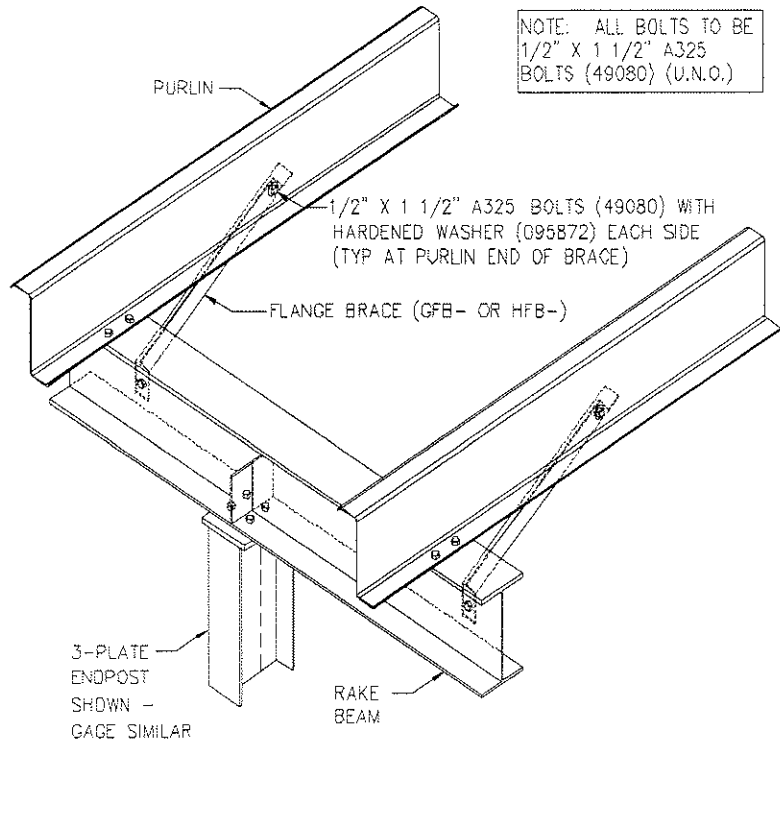
ROD DIA.	NUT	WASHERS		
		A	B	HILLSIDE
3/8"	095321	096408	46040	043657
1/2"	095230	095872	095946	043657
5/8"	095233	095945	095946	043657
3/4"	095235	095948	095948	043658
7/8"	095237	095947	095948	043658
1"	095238	095948	095949	043659
1 1/8"	095239	095949	095949	043659



FLANGE BRACE REQUIREMENTS:
 RULE#1- ALL FLANGE BRACES ON CROSS SECTIONS MUST BE INSTALLED.
 RULE#2- SINGLE FLANGE BRACES ARE REQUIRED WHEN PART MARK ON CROSS SECTION IS NOT ACCOMPANIED BY (2).
 RULE#3- FLANGE BRACES ARE REQUIRED BOTH SIDES OF THE FRAME WEB WHEN PART MARK IS ACCOMPANIED BY (2).
 RULE#4- WHENEVER POSSIBLE, PLACE SINGLE BRACES TOWARD THE CENTER OF THE BUILDING.
 RULE#5- WHENEVER POSSIBLE, PLACE ALL SINGLE BRACES ON THE SAME SIDE OF THE FRAME WEB.
 ** 10" & 11 1/2" PURLINS REQUIRE 3 BOLTS AT EACH END OF PURLIN LAP.



ENDPOST TOP BRACING
ENDPOST WITHIN 6" (152mm) OF PURLIN



ENDPOST TOP BETWEEN PURLINS
NO CAP CHANNEL - BRACED TO PURLINS ONLY

REV. DATE: 08/19/10 | REV. NO. 01 | **ROD BRACING THRU ROD SLOT**
COLUMN SHOWN / RAFTER SIMILAR | **BR02H1**

REV. DATE: 06/16/10 | REV. NO. 02 | **ROD BRACING THRU ROD SLOT**
SIDEWALL COLUMN SHOWN / RAFTER SIMILAR | **BR02J1**

REV. DATE: 07/01/09 | REV. NO. 00 | **TYPICAL FLANGE BRACE CONNECTIONS**
CONT. PURLIN LAP SHOWN, CONT. GIRT & SIMPLE PURLIN | **BR06AE**

REV. DATE: 06/24/11 | REV. NO. 01 | **ENDPOST TOP BRACING**
ENDPOST WITHIN 6" (152mm) OF PURLIN | **BR25A3**

REV. DATE: 06/24/11 | REV. NO. 01 | **ENDPOST TOP BETWEEN PURLINS**
NO CAP CHANNEL - BRACED TO PURLINS ONLY | **BR25CA**

F = FEET G = GAGE
 I = INCHES O = OPERATION
 E = EIGHTHS C = FIN/COLOR

PANEL/COVERING
 W 1 3 1 1 7 2 6 1 K T D
 * F F I I E G G O C C C
 LENGTH CODE

INSULATION
 I B 1 3 0 1 0 3 6 0 3 0 W V
 ** F F F I I I I I I E G C
 LENGTH WIDTH THK CODE

SECONDARY (STANDARD)
 0 8 Z 1 9 1 1 4 1 7 - - - - -
 * * * F F I I E G G * * * * *

DEPTH LENGTH GAGE ADJUST CODES
 SHAPE

SECONDARY (SPECIAL)
 0 0 1 0 8 Z 1 9 1 1 4 1 7 - - -
 * * * * * F F I I E G G * * * *

COUNTER DEPTH LENGTH GAGE ADJUST CODES
 SHAPE

ROD BRACING
 O 3 R S 2 5 1 0
 I E * * F F I I
 DIA LENGTH

RS = THREADS BOTH ENDS
 RT = THREADS ONE END - CLEVIS ONE END
 RU = CLEVIS BOTH ENDS
 RP = THREAD BOTH ENDS - NO HILLSIDES

CX*** = COLUMN (PLATE)
 CGX*** = COLUMN (GAGE)
 WCX*** = COLUMN (HOTROLL)

RBX*** = RAFTER (PLATE)
 BGX*** = RAFTER (GAGE)
 WRX*** = RAFTER (HOTROLL)
 TRX*** = TRUSS RAFTER

ICX*** = INTERIOR COLUMN
 PCX*** = PIPE COLUMN
 TCX*** = TUBE COLUMN

EPX*** = ENDPOST (PLATE)
 EGX*** = ENDPOST (GAGE)

CBX*** = CANOPY (PLATE)
 CBX*** = PIGGYBACK CANOPY

DCC*** = 8 1/2" GAGE POST
 DCE*** = 10" GAGE POST

REV. DATE: 08/28/12 | REV. NO. 01 | **MARK NUMBER KEY**
COMMON GENERATED MARK NUMBERS | **EN50B1**

1. USE 1/2 X 1 1/2 A325 SNUG TIGHTENED BOLTS FOR ALL SECONDARY CONNECTIONS, SECONDARY CLIP CONNECTIONS, AND FLANGE BRACE CONNECTIONS, UNLESS NOTED OTHERWISE.
 2. SLOT REINFORCEMENT PLATES NEED NOT BE LOCATED ON THE SAME SIDE OF THE WEB AS THE HILLSIDE WASHER.

THE VP ENGINEER'S SEAL APPLIES ONLY TO THE WORK PRODUCT OF VP AND DESIGN AND PERFORMANCE REQUIREMENTS SPECIFIED BY VP. THE VP ENGINEER'S SEAL DOES NOT APPLY TO THE PERFORMANCE OR DESIGN OF ANY OTHER PRODUCT OR COMPONENT FURNISHED BY VP EXCEPT TO ANY DESIGN OR PERFORMANCE REQUIREMENTS SPECIFIED BY VP.

THIS DRAWING, INCLUDING THE INFORMATION HEREON, REMAINS THE PROPERTY OF VP BUILDINGS. IT IS PROVIDED SOLELY FOR ERECTING THE BUILDING DESCRIBED IN THE APPLICABLE PURCHASE ORDER AND SHALL NOT BE MODIFIED, REPRODUCED OR USED FOR ANY OTHER PURPOSE WITHOUT PRIOR WRITTEN APPROVAL OF VP BUILDINGS.

THE GENERAL CONTRACTOR AND/OR ERECTOR IS SOLELY RESPONSIBLE FOR ACCURATE GOOD QUALITY WORKMANSHIP IN ERECTING THIS BUILDING IN ACCORDANCE WITH THIS DRAWING, DETAILS REFERENCED IN THIS DRAWING, ALL APPLICABLE VP BUILDINGS ERECTION GUIDES, AND INDUSTRY STANDARDS PERTAINING TO PROPER ERECTION, INCLUDING THE CORRECT USE OF TEMPORARY BRACING.

VP Buildings			
3200 Players Club Circle Memphis TN 38125			
REV	DATE	BY	DESCRIPTION
NTS			

PRIMARY BRACING SEDS	
BUILDER	Patco
CUSTOMER	
LOCATION	Portland, Maine
PROJECT	Pack Edge
BUILDERS PO#	



JOB #	12-4084
DATE	3/14/2013
DRAWN/CHECK	COOP DC
PAGE	19