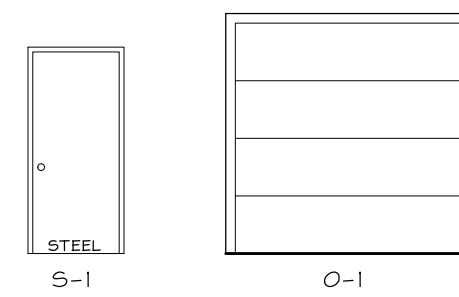
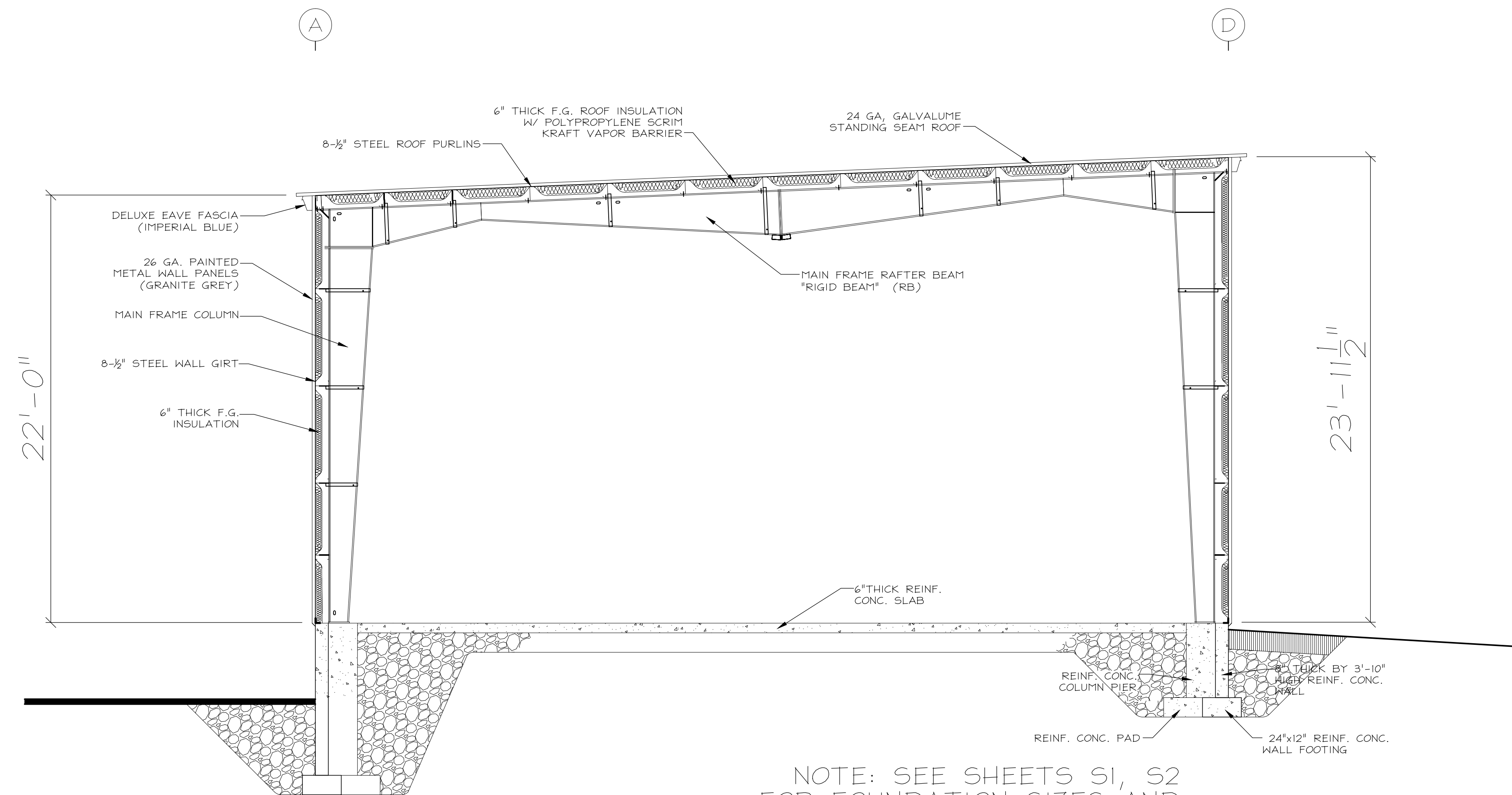


DOOR TYPES



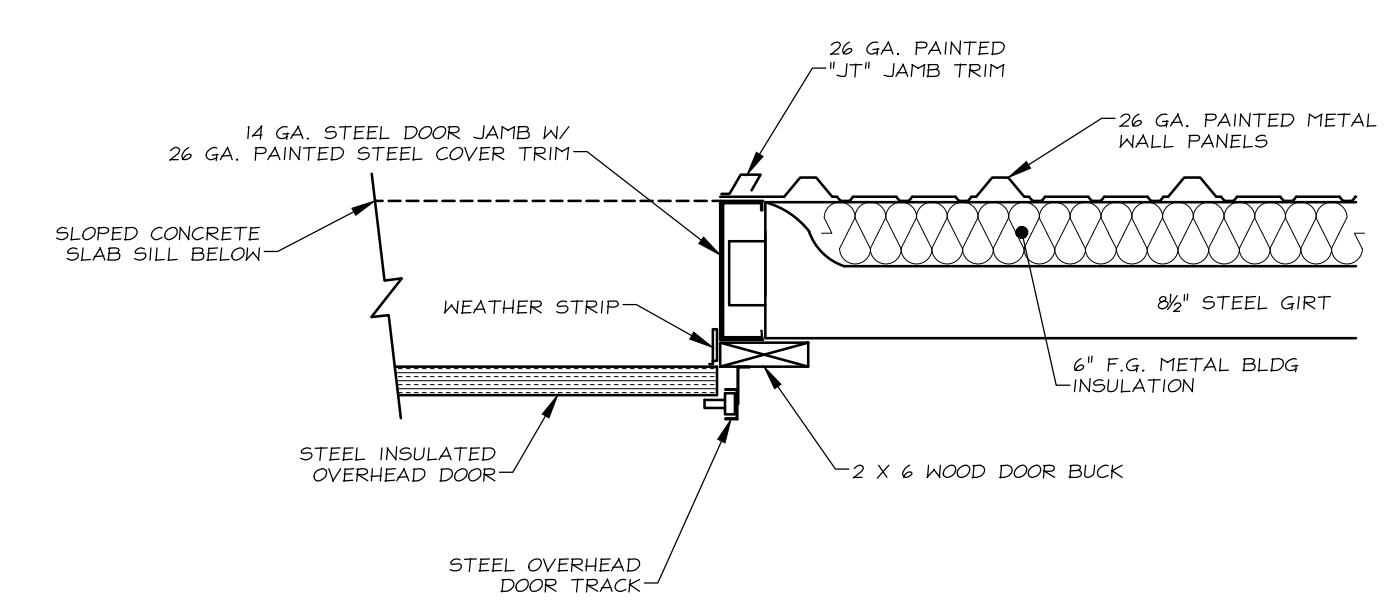
DOOR SCHEDULE											
NO.	SIZE	ROUGH OPENING	LOCATION	TYPE	MAT	GLASS	JAMB	SWING	HARDWARE	COMMENTS	
1	8'-0" X 9'-0"	---	WAREHOUSE	O-1	---	---	---	---	---	RELOCATED DOOR	
2	8'-0" X 9'-0"	---	WAREHOUSE	O-1	---	---	---	---	---	RELOCATED DOOR	
3	8'-0" X 9'-0"	---	WAREHOUSE	O-1	---	---	---	---	---	RELOCATED DOOR	
4	8'-0" X 9'-0"	---	WAREHOUSE	O-1	---	---	---	---	---	MANUAL OPERATION	
5	8'-0" X 9'-0"	---	WAREHOUSE	O-1	---	---	---	---	---	MANUAL OPERATION	
6	8'-0" X 9'-0"	---	WAREHOUSE	O-1	---	---	---	---	---	MANUAL OPERATION	
7	8'-0" X 9'-0"	---	WAREHOUSE	O-1	---	---	---	---	---	MANUAL OPERATION	
8	3'-0" X 7'-0"	---	WAREHOUSE	S-1	S	---	M	RH	T, CL, LS	RELOCATED DOOR	

A = ALUMINUM    AL/GL = ALUMINUM/GLASS    DB = DOUBLE SHING    HARDWARE    T = THRESHOLD  
 B = BIRCH       HG = HALF GLASS       LH = LEFT HAND       PS = PASSAGE SET    CL = CLOSURE  
 GL = GLASS      HD = WOOD            RH = RIGHT HAND    PRS = PRIVACY SET    LS = LOCK SET  
 M = METAL       HM = HALF MIRROR    OHD = OVERHEAD DOOR    PP = PUSH/PULL

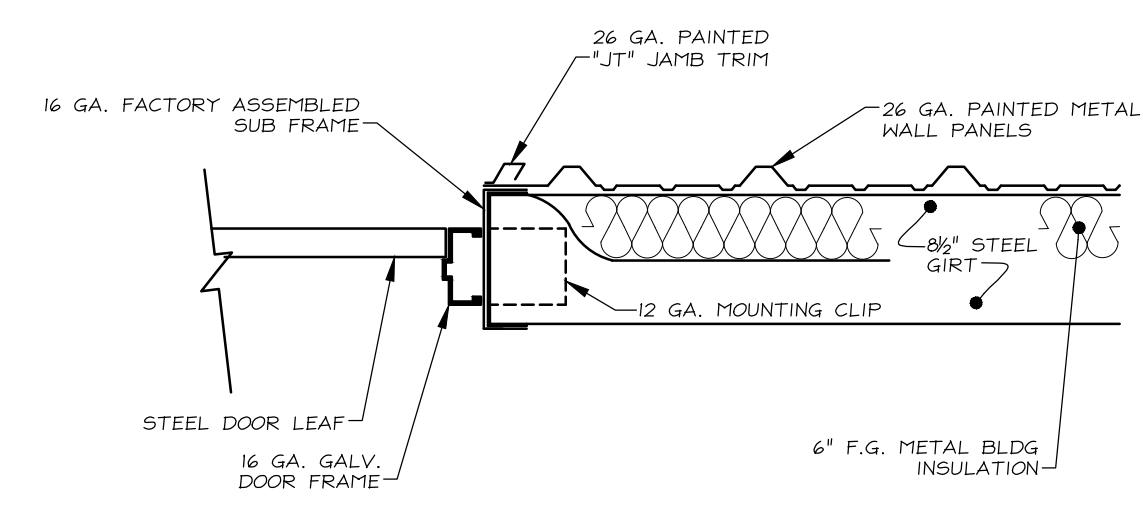


**BUILDING SECTION A-A**  
SCALE: 1/4" = 1'-0"

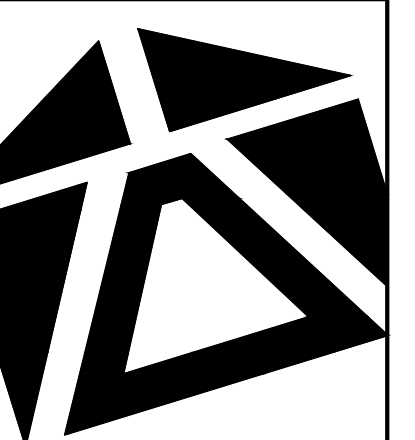
NOTE: SEE SHEETS S1, S2 FOR FOUNDATION SIZES AND DETAILS.



**1 OVERHEAD DOOR JAMB**  
SCALE: 1" = 1'-0"



**2 EXTERIOR DOOR JAMB**  
SCALE: 1" = 1'-0"



**PATCO CONSTRUCTION INC**

1293 MAIN STREET  
SANFORD, ME 04073  
TEL: (207)324-5574  
FAX: (207)324-1643  
www.patco.com  
or www.patcocommercial.com

**John W. Einsiedler, R.A.**  
Architecture  
148 Sea Road    Kennebunk, Maine 04043  
Phone: 207-985-9700    Facsimile: 207-985-9828  
www.jweinsiedler.com    email: jwe@jweinsiedler.com  
Architect • Interior Design • Universal Design



BY	
DATE	
DESCRIPTION	
REV.	

PROPOSED BUILDING FOR:  
**PACK EDGE**  
352 PRESUMPSCOTT STREET  
PORTLAND, ME  
**CROSS SECTION & DETAILS**

DATE: 3-28-13  
SCALE: AS SHOWN  
DRAWN BY: RMA/JDB  
CHECKED BY:  
JOB NUMBER:  
SHEET:

A-3