

APPROVALS

STRUCTURE OWNER _____

LEASING _____

R.F. _____

ZONING _____

CONSTRUCTION _____

A/E _____

PROJECT NO: 4PB0250A

DRAWN BY: JRV

CHECKED BY: JMT

VERSION

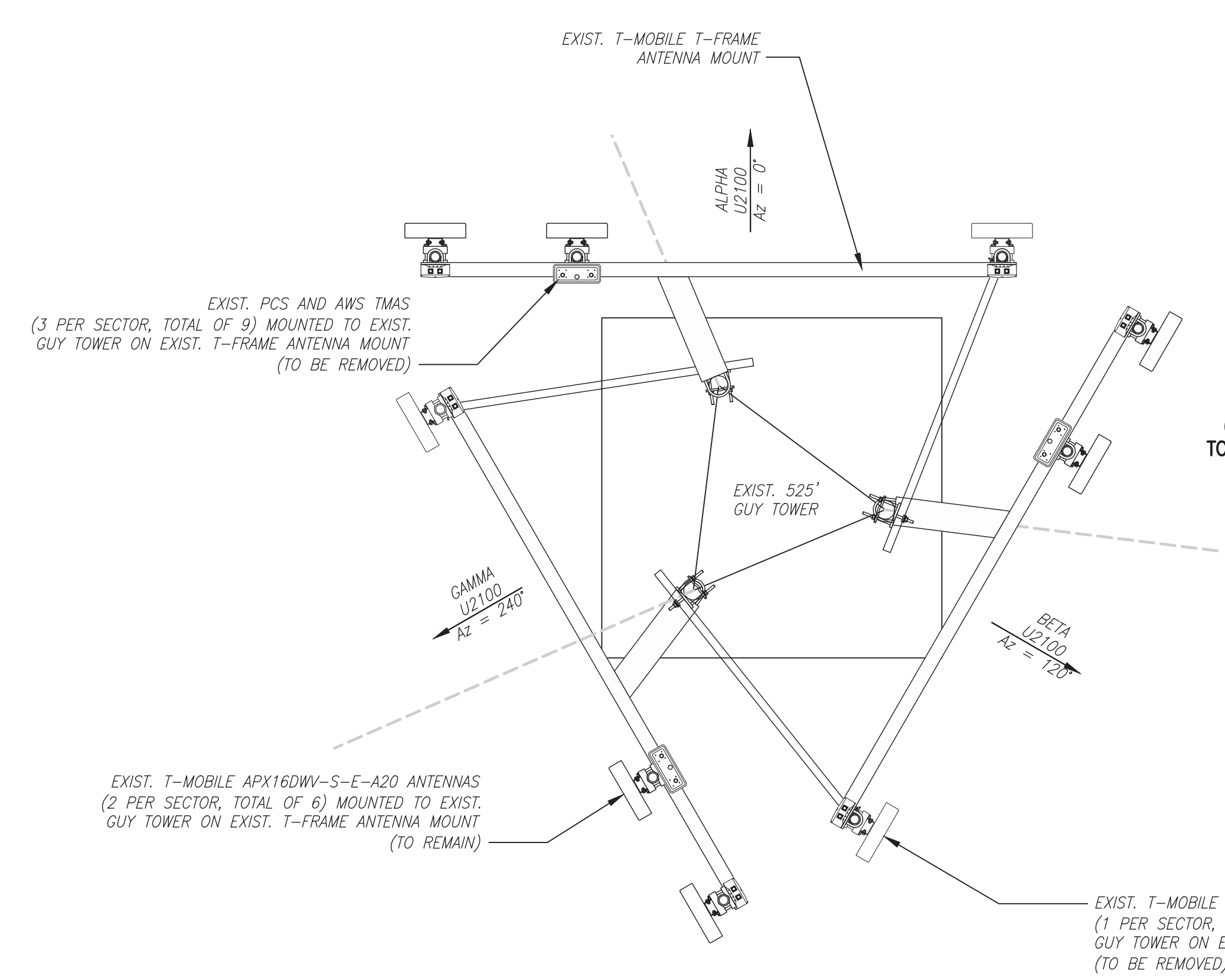
0	06/22/17	CONSTRUCTION REVIEW
---	----------	---------------------

THIS DOCUMENT IS THE CREATION, DESIGN, PROPERTY AND COPYRIGHTED WORK OF T-MOBILE NORTHEAST LLC. ANY DUPLICATION OR USE WITHOUT EXPRESS WRITTEN CONSENT IS STRICTLY PROHIBITED. DUPLICATION AND USE BY GOVERNMENT AGENCIES FOR THE PURPOSES OF CONDUCTING THEIR LAWFULLY AUTHORIZED REGULATORY AND ADMINISTRATIVE FUNCTIONS IS SPECIFICALLY ALLOWED.

4PB0250A
PRESUMPCOT RADIO TOWER
189 PRESUMPCOT STREET
PORTLAND, ME 04101

SHEET TITLE
EQUIPMENT & ANTENNA DETAILS

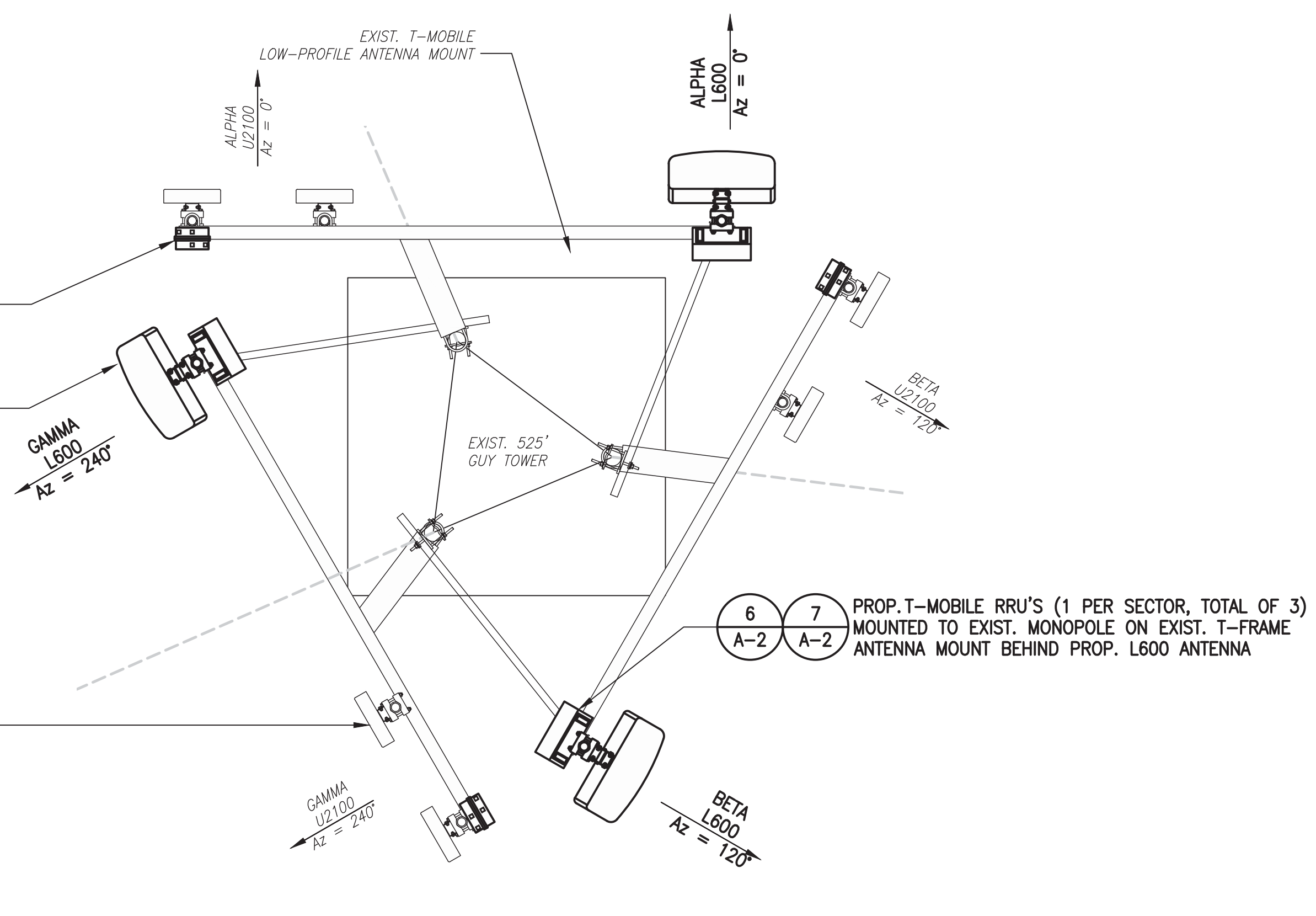
SHEET NUMBER
A-2



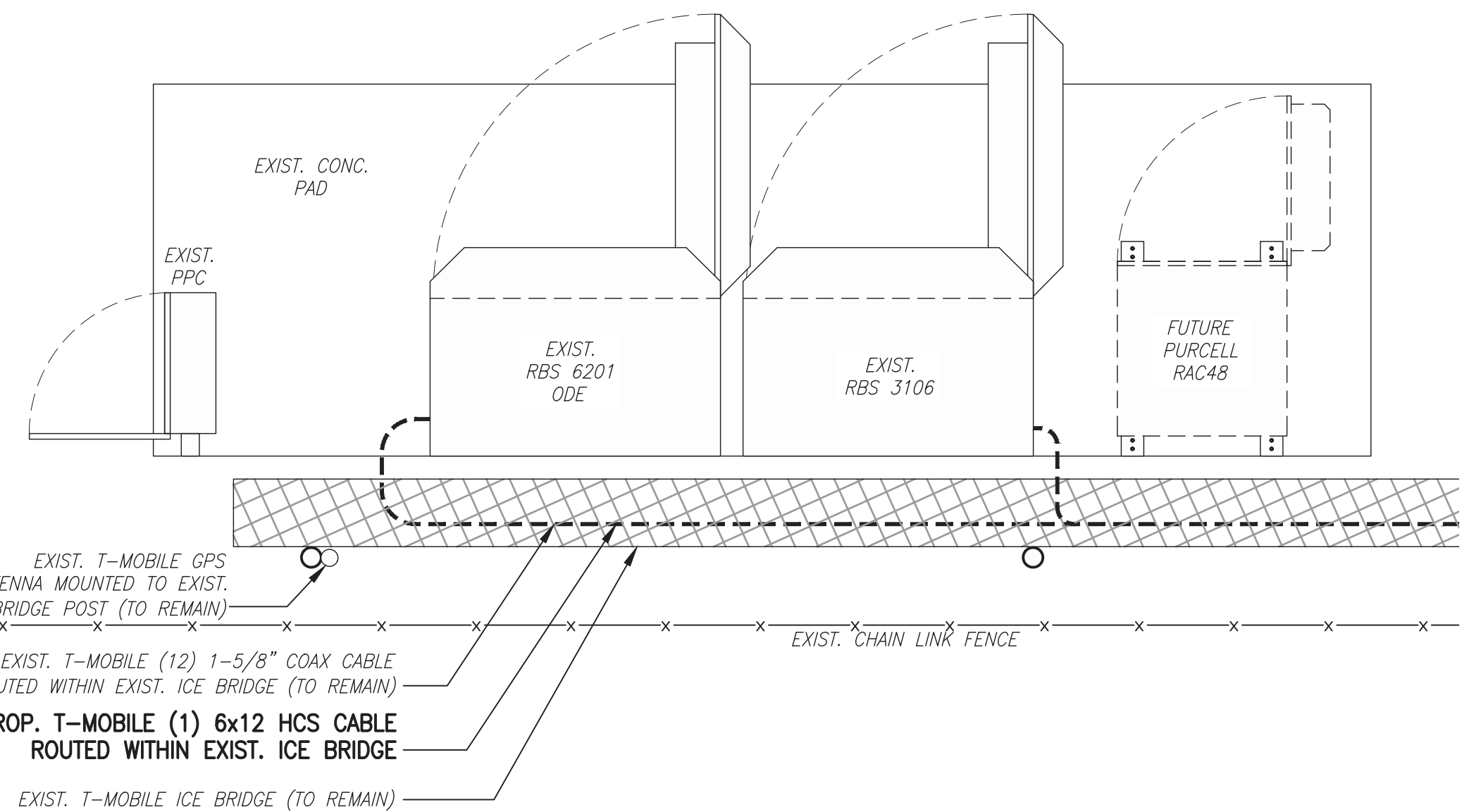
EXIST. ANTENNA PLAN
SCALE: 1/2" = 1'-0"
1 A-2

PROP. T-MOBILE TWIN STYLE 3CX-ATMA4P4DBP-1A20 TMAS (1 PER SECTOR, TOTAL OF 3) MOUNTED BEHIND EXIST. ANTENNA ON EXIST. T-FRAME ANTENNA MOUNT TO REPLACE EXISTING (9) PCS AND AWS TMAS

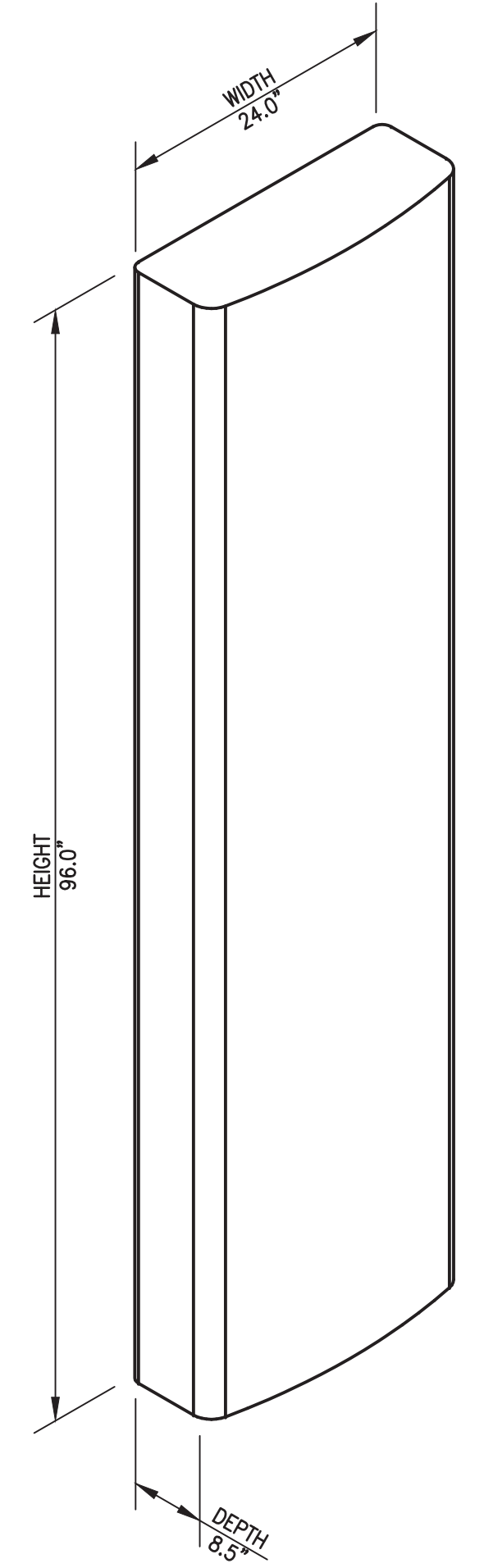
PROP. T-MOBILE RFS APXVA24_43-U-A20 ANTENNAS (1 PER SECTOR, TOTAL OF 3) MOUNTED TO EXIST. GUY TOWER ON EXIST. T-FRAME ANTENNA MOUNT TO REPLACE EXISTING T-MOBILE APX16DW-S-E-A20 ANTENNAS



PROP. ANTENNA PLAN
SCALE: 1/2" = 1'-0"
2 A-2



EQUIPMENT/ANCHORING PLAN
SCALE: 1" = 2'-0"
3 A-2



ANTENNA DETAIL
SCALE: N.T.S.
4 A-2



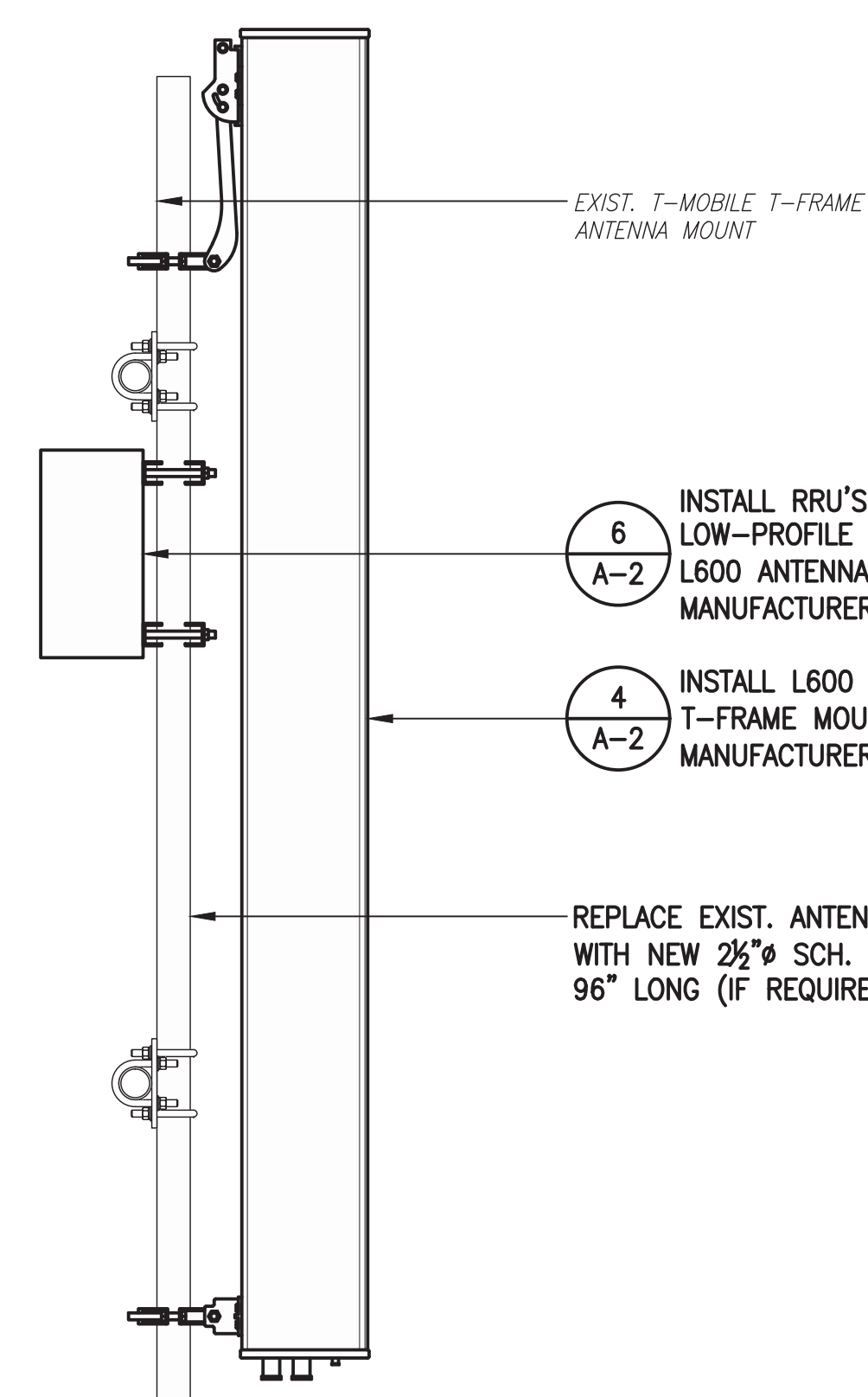
RFS AWS/PCS STYLE 3CX ATMA4P4DBP-1A20 TMA
DIMENSIONS: 11.2"H x 8.0"W x 4.9"D
WEIGHT: 7.19 LBS
1 PER SECTOR, TOTAL OF 3

TMA DETAIL
SCALE: N.T.S.
5 A-3



ERICSSON 4478_B71_RRU
DIMENSIONS: 15.0"H x 13.2"W x 7.4"D
WEIGHT: 110.2 LBS
1 PER SECTOR, TOTAL OF 3

RRU DETAIL
SCALE: N.T.S.
6 A-2



ANTENNA MOUNTING DETAIL
SCALE: 1" = 1'-0"
7 A-2