



www.baileysign.com  
 9 Thomas Drive  
 Col. Westbrook Executive Park  
 Westbrook, ME 04092  
 207-774-2843 / 1-800-539-SIGN  
 Fax: 774-1193  
 E-Mail: sales@baileysign.com

**PLEASE NOTE:**  
 THIS IS A PROGRESS PRINT - FIELD MEASUREMENTS MAY OR MAY NOT NEED TO BE VERIFIED.  
 THIS DESIGN IS THE EXCLUSIVE PROPERTY OF BAILEY SIGN INCORPORATED AND ALL RIGHTS TO ITS USE OR REPRODUCTION ARE RESERVED.

THE ACCURACY OF THIS COLOR RENDERING IS LIMITED BY MEDIA AND OUTPUT DEVICES AND IS INTENDED FOR REPRESENTATIONAL USE ONLY. ACTUAL MANUFACTURING/GRAPHIC COLORS ALSO VARY DEPENDING ON PROCESSES & MATERIALS USED. 100% COLOR MATCHES OF SUBMITTED SPECIFICATIONS CAN NOT BE GUARANTEED.

IF AN ELECTRIC SIGN, THEN INSTALLATION MUST BE ACCOMPLISHED IN TOTAL COMPLIANCE WITH ARTICLE 600 OF THE NATIONAL ELECTRIC CODE, THE REQUIREMENTS OF UNDERWRITERS LABORATORY, CANADIAN STANDARDS ASSOCIATION AND/OR ANY APPLICABLE LOCAL CODES. THIS INCLUDES PROPER GROUNDING AND BONDING OF THE SIGN.

ALL ELECTRICAL SIGNS REQUIRE ROUTINE MAINTENANCE.

**VOLTAGE**

APPROVAL  
 CLIENT

APPROVED \_\_\_\_\_ DATE \_\_\_\_\_

BAILEY SIGN REPRESENTATIVE

APPROVED \_\_\_\_\_ DATE \_\_\_\_\_

**DESIGNATED COPY FOR:**

ESTIMATING/OUTSOURCING
GRAPHICS
FABRICATION
ROUTER
PAINT
INSTALLATION

CUSTOMER / SIGN LOCATION

LIFE STORAGE

235 PRESUMPCOT STREET  
 PORTLAND, MAINE

SALESPERSON: DE DRAWN BY: LWM

WORK ORDER # 1542.4	CUSTOMER # 6020	CRM #
------------------------	--------------------	-------

SCALE N.T.S.	DATE 1/2/17
-----------------	----------------

REVISION # / DATE / NOTES / INITIALS

DRAWING #

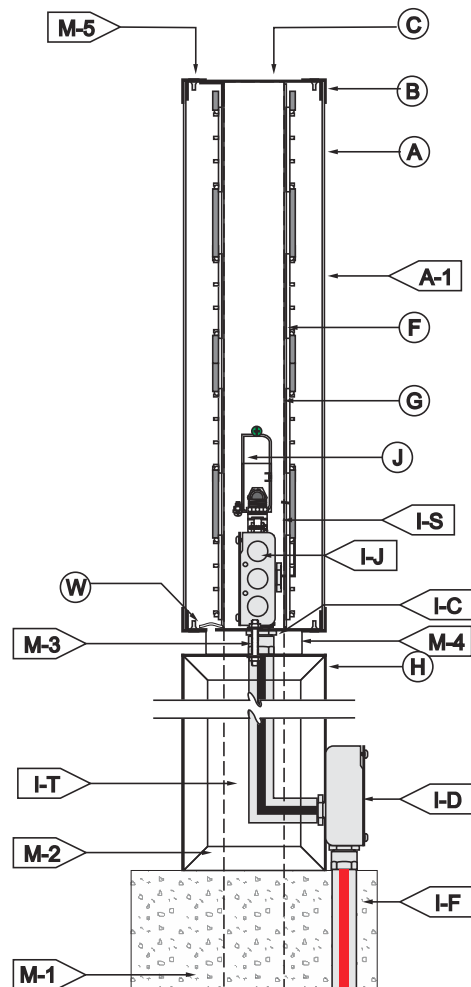
07938 C

SHEET \_\_\_\_ OF \_\_\_\_

ILLUM. DF MONUMENT SIGN W/ SKIRT- SECTION DETAILS

A-1

SCALE: N.T.S.



<b>(A) FACE</b>	
MATERIAL:	3/16" CLEAR LEXAN
A-1 VINYL:	2ND SURFACE OF FACE
COLOR INFO.:	SQUARE IN LOGO: 3M 3630-025
	TRANSLUCENT SUNFLOWER YELLOW
	BACKGROUND: 3M 3630-157 TRANSLUCENT SULTAN
	BLUE
	COPY & CRESCENTS: WHITE
<b>(B) RETAINER</b>	
MATERIAL:	2" x 2" x 1/8" ALUM., ANGLES
COLOR:/FINISH:	BLACK SATIN
<b>(C) RETURNS</b>	
DEPTH:	12"
MATERIAL:	1/8" ALUM.
COLOR:/FINISH:	BLACK SATIN
<b>(F) ILLUMINATION</b>	
TYPE: / COLOR:	LEDS / WHITE, 6500K
<b>(G) BAFFLE</b>	
MATERIAL:	.063" PRE-COAT WHITE ALUM.
<b>(H) SKIRT</b>	
DEPTH:	12"
MATERIAL:	1/8" ALUM. ON ALUM. FRAME
COLOR:/FINISH:	BLACK SATIN
VINYL:	ADDRESS, OPAQUE WHITE VINYL

<b>(I) WIRING</b>	
I-C	1/2" SEALTITE CONNECTOR
I-D	FIREMAN'S DISCONNECT SWITCH (OUTSIDE OF SIGN) LOCATED IN WATERPROOF BELL BOX
I-F:	TO 12V FEED
I-S	U.L. APPROVED LOW VOLTAGE CLASS II WIRING
I-J	STANDARD JUNCTION BOX.
I-T	1/2" SEALTITE
<b>(J) POWER SUPPLY</b>	
TYPE:	LOW VOLTAGE U.L. APPROVED LED POWER SUPPLY 120V
<b>(M) MOUNTING</b>	
SEE MOUNTING NOTE.	
M-1	CONCRETE FOOTINGS SEE ELEVATION DETAIL
M-2	5" X 5" X 1/4" STEEL SQ. TUBING
M-3	MIN. 3/8" THRU BOLTS w/ NUTS & WASHERS
M-4:	2" ALUM. REVEAL
COLOR:/FINISH:	BLACK SATIN
M-5:	MECHANICAL FASTENERS - FLAT HEAD
COLOR:/FINISH:	BLACK SATIN
<b>(W) WEEP HOLE</b>	
MATERIAL:	1/4" HOLE W/ ALUM. COVER (INSIDIE CABINET)

**120V**

**INSTALLATION NOTES:**

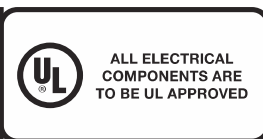
- CUSTOMER G.C. TO PROVIDE ADEQUATE WOOD OR MTL. BLOCKING IN CORRELATION W/ FACADE FRAMING AS REQUIRED.
- INSTALLER IS TO V.I.F. & PROVIDE THE PROPER NON-CORROSIVE MOUNTING HARDWARE TO ENSURE SAFE INSTALLATION.
- ALL EXTERIOR FACADE PENETRATIONS TO BE WATERTIGHT.
- INSTALLATION TO MEET CURRENT N.E.C., U.L. & LOCAL CODES.

**ELECTRICAL NOTES:**

- ALL ELEC. COMPONENTS TO BE U.L. APPROVED.
- CUSTOMER IS RESPONSIBLE FOR ONE (1) 120v/ 20a DEDICATED CIRCUIT w/ GROUND PER SIGN TO WITHIN 6' OF SIGN.
- LOCKOUT SWITCH INSTALLED @ PANEL BOX FOR ALL ELEC. SIGNS.
- INSTALL IN ACCORDANCE w/ N.E.C. ARTICLE 600 &/ OR LOCAL CODES. THIS INCLUDES PROPER GROUNDING & BONDING OF SIGN.

**FABRICATOR NOTES:**

- PLACEMENT OF LIGHTING ELEMENTS FOR OPTIMUM ILLUMINATION OF SIGN TO BE DETERMINED IN PRODUCTION.
- MANUFACTURER & U.L. LABELS TO BE APPLIED & VISIBLE FROM THE GROUND. ON THE LAST CHANNEL LETTER OR END OF THE SIGN BOX.



REF. DR. \_\_\_\_\_