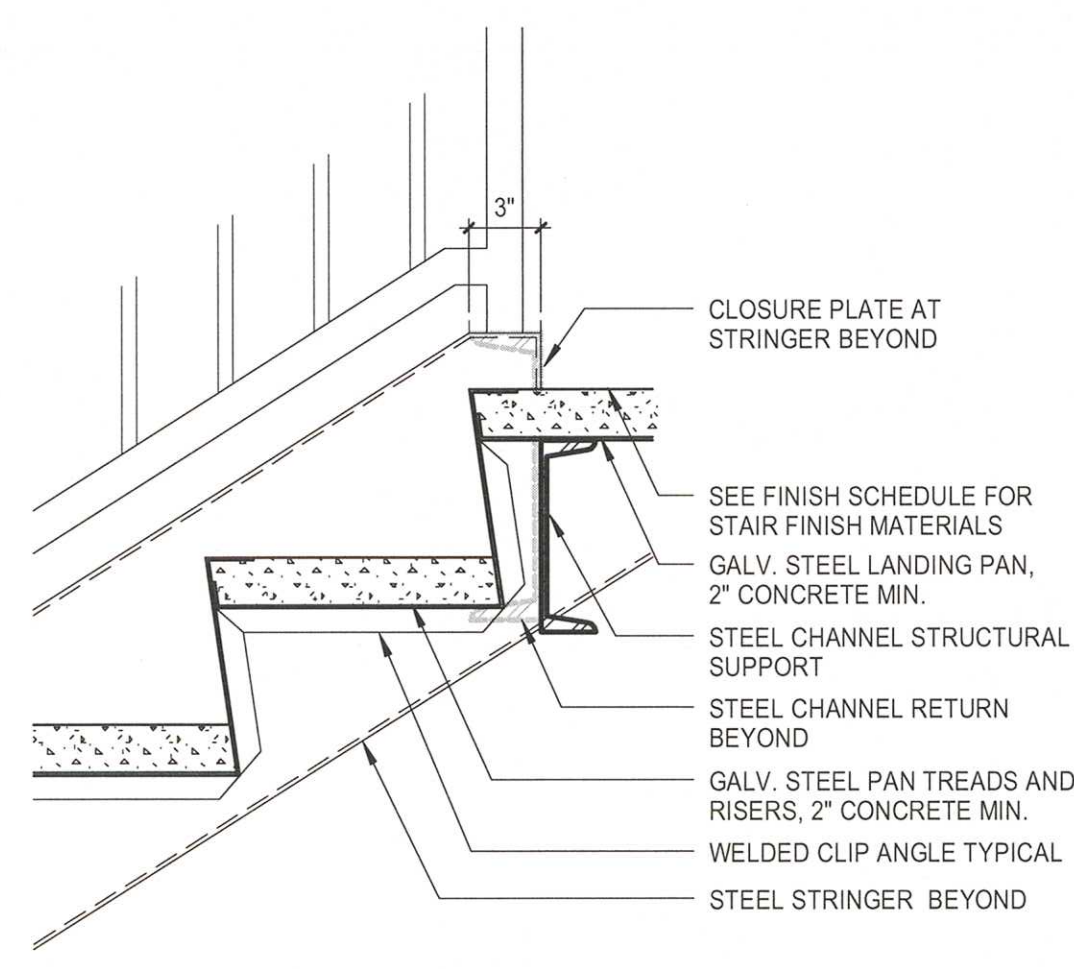
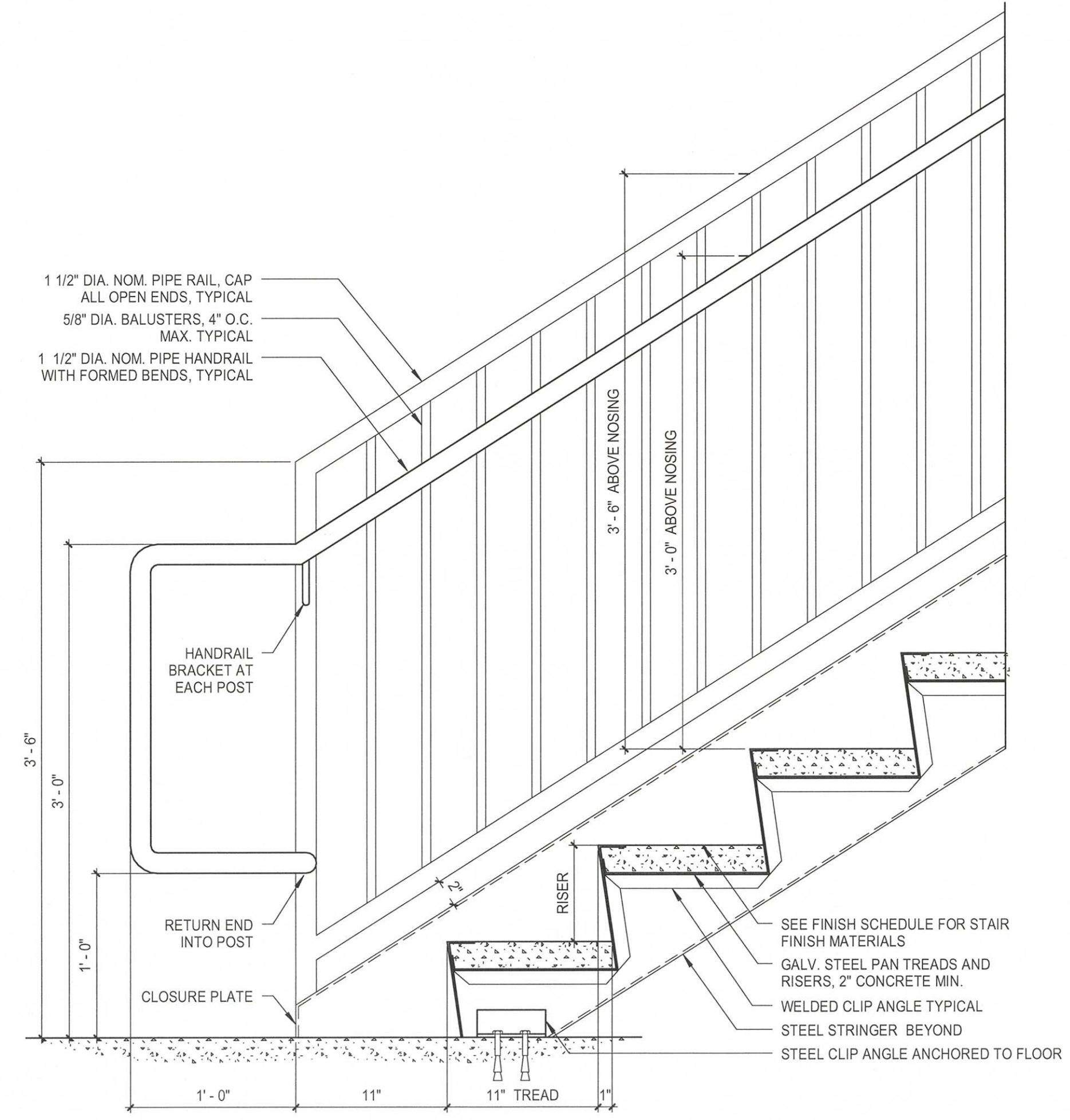


L1 STAIR LANDING DETAIL - BASE
1/12" = 1'-0"

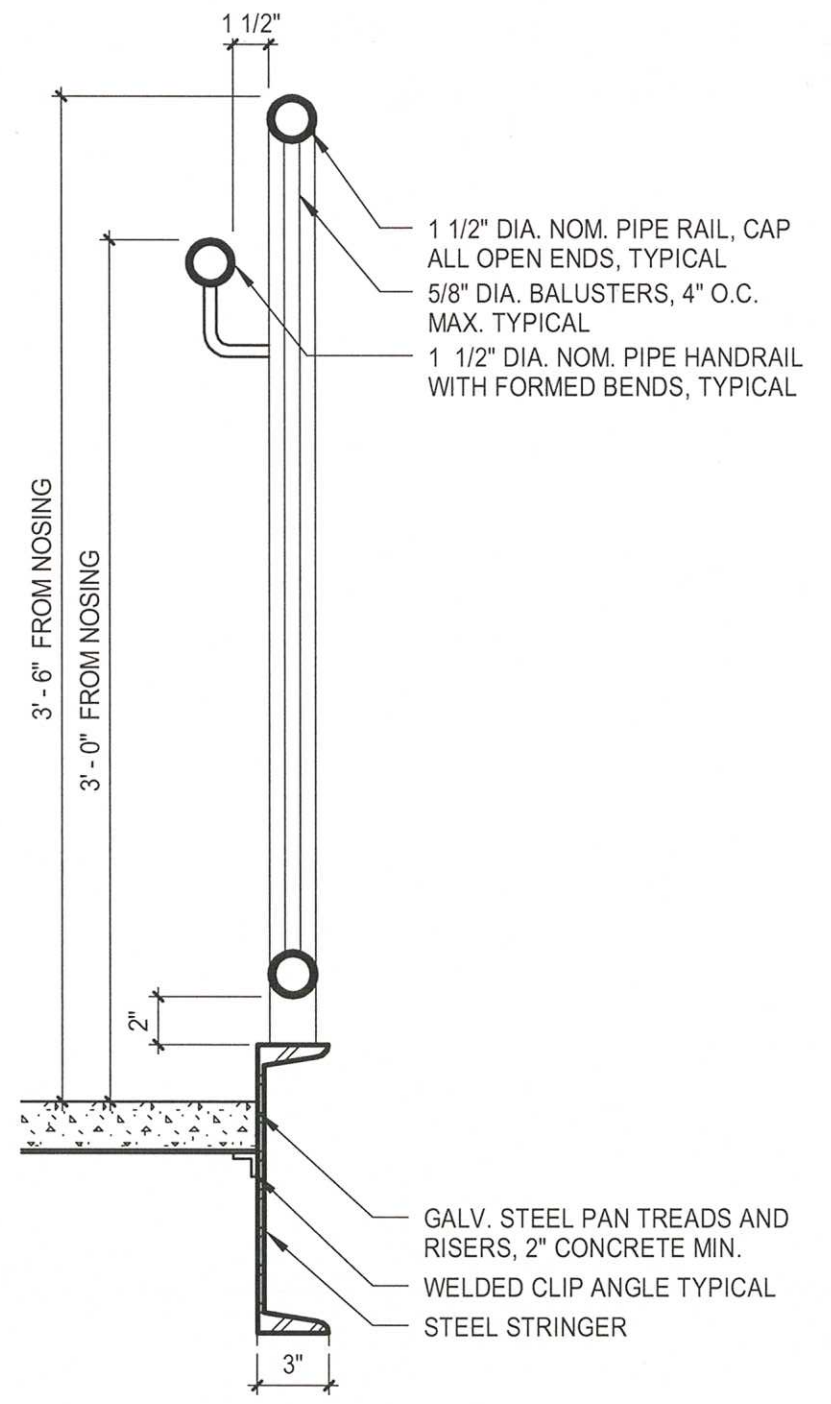


G1 STAIR LANDING DETAIL - TOP
1/12" = 1'-0"

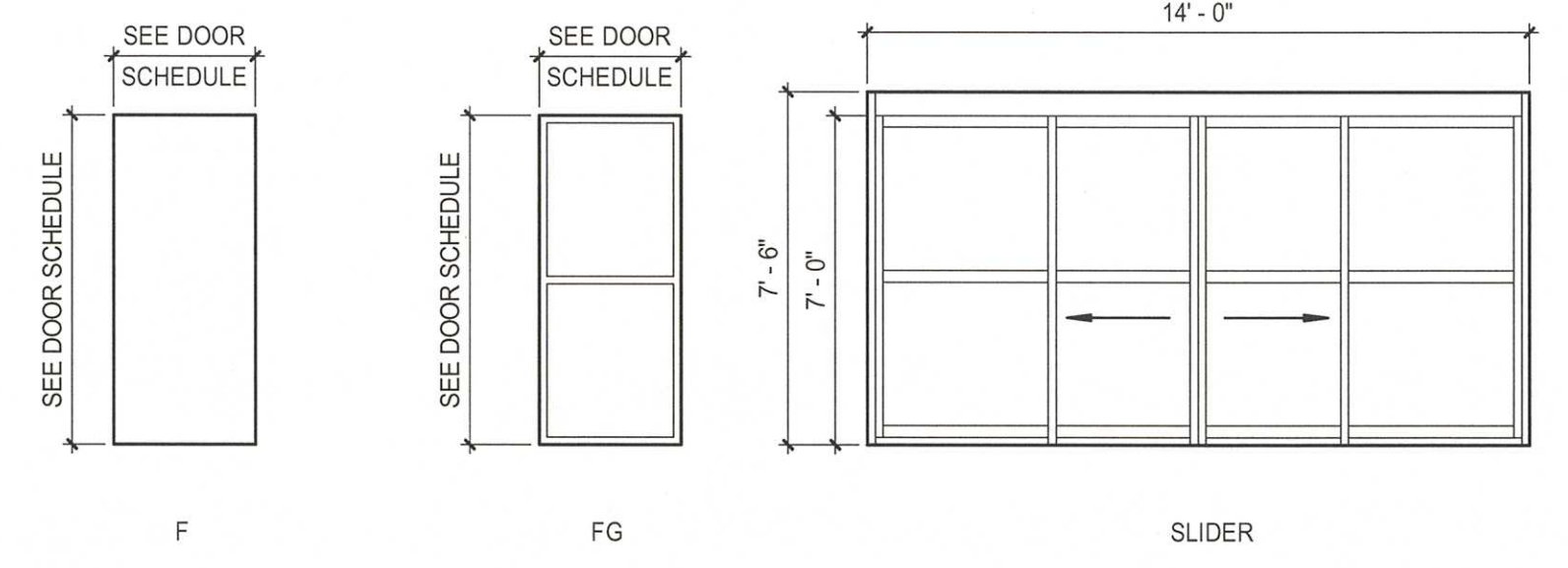


A1 BOTTOM OF STAIR DETAIL
1/12" = 1'-0"

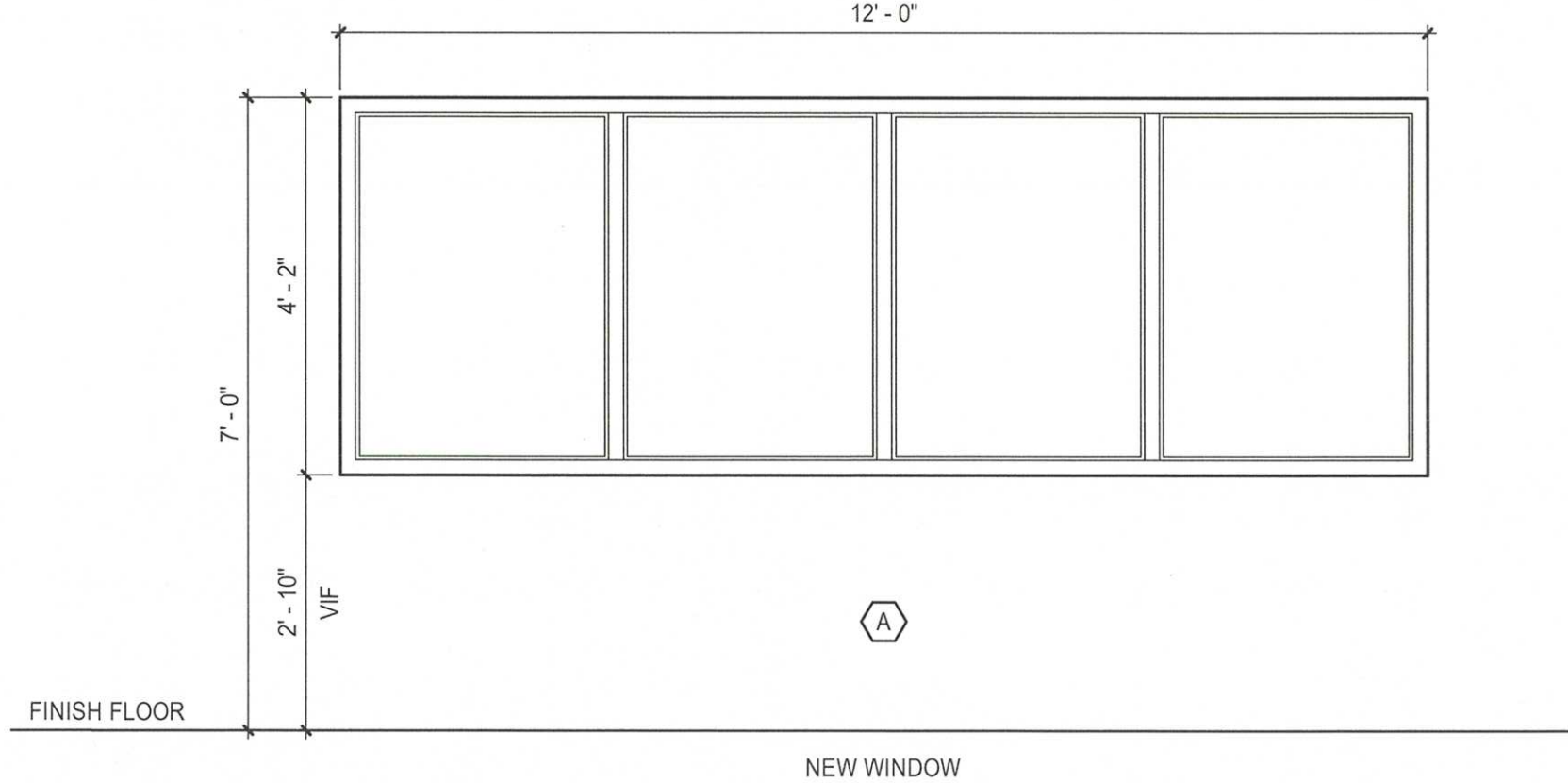
DOOR #	WIDTH	HEIGHT	DOOR			GLAZ	FRAME		FIRE RATING
			THICK	MAT'L	ELEV		MAT'L	ELEV	
101	3'-0"	7'-0"	0'-1 3/4"	ALUM	FG	INSULATED TEMPERED	ALUM	F1	-
101a	14'-0"	7'-6"	0'-2"	ALUM	SLIDER	INSULATED TEMPERED	ALUM	-	-
102	3'-0"	7'-0"	0'-1 3/4"	ALUM	FG	INSULATED TEMPERED	ALUM	F1	-
104	3'-0"	7'-0"	0'-1 3/4"	HM	F	-	HM	F1	-
105	3'-0"	7'-0"	0'-1 3/4"	ALUM	FG	INSULATED TEMPERED	ALUM	F2	-
106	3'-0"	7'-0"	0'-1 3/4"	HM	F	-	HM	F1	45 MIN.



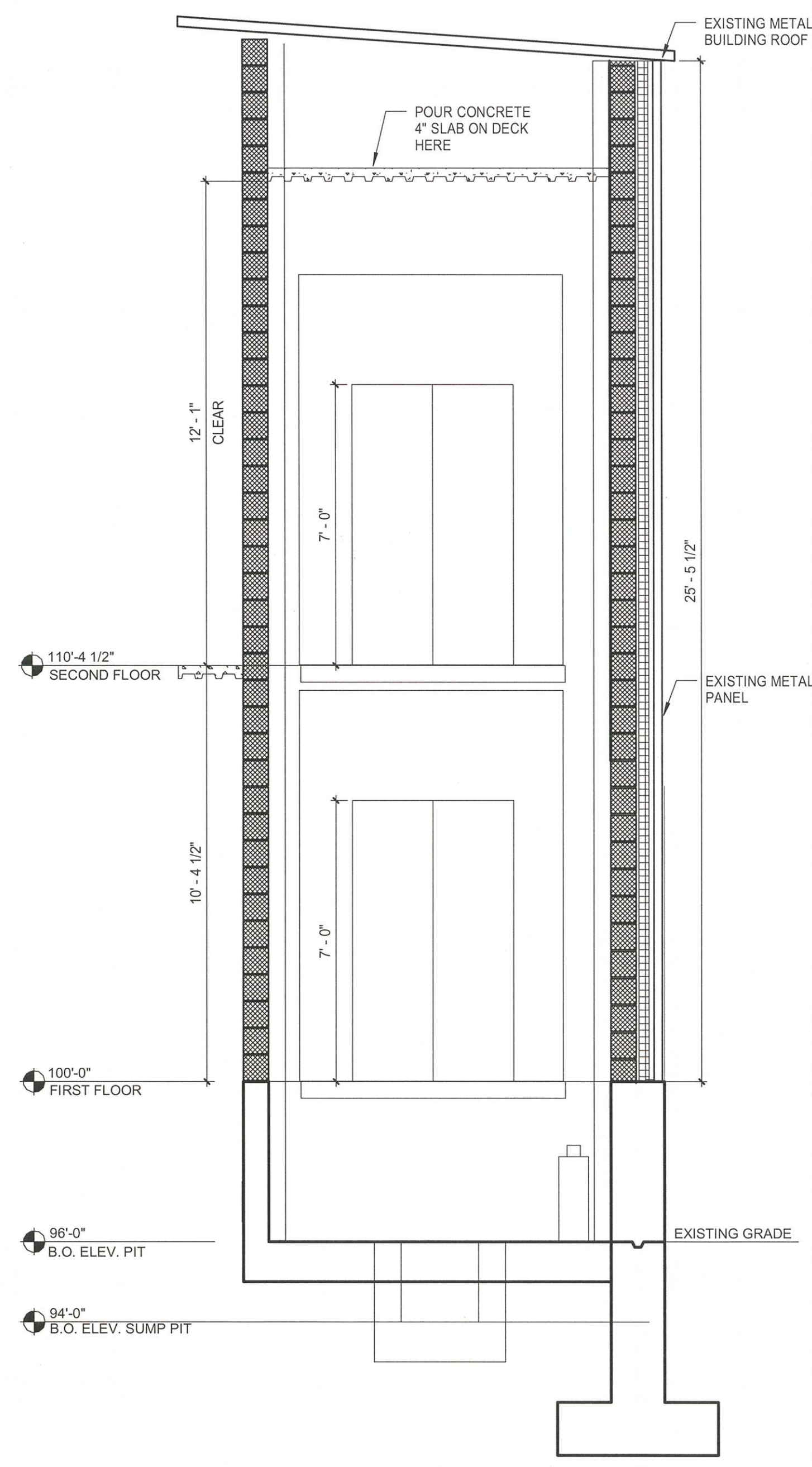
F8 STAIR RAIL SECTION
1/12" = 1'-0"



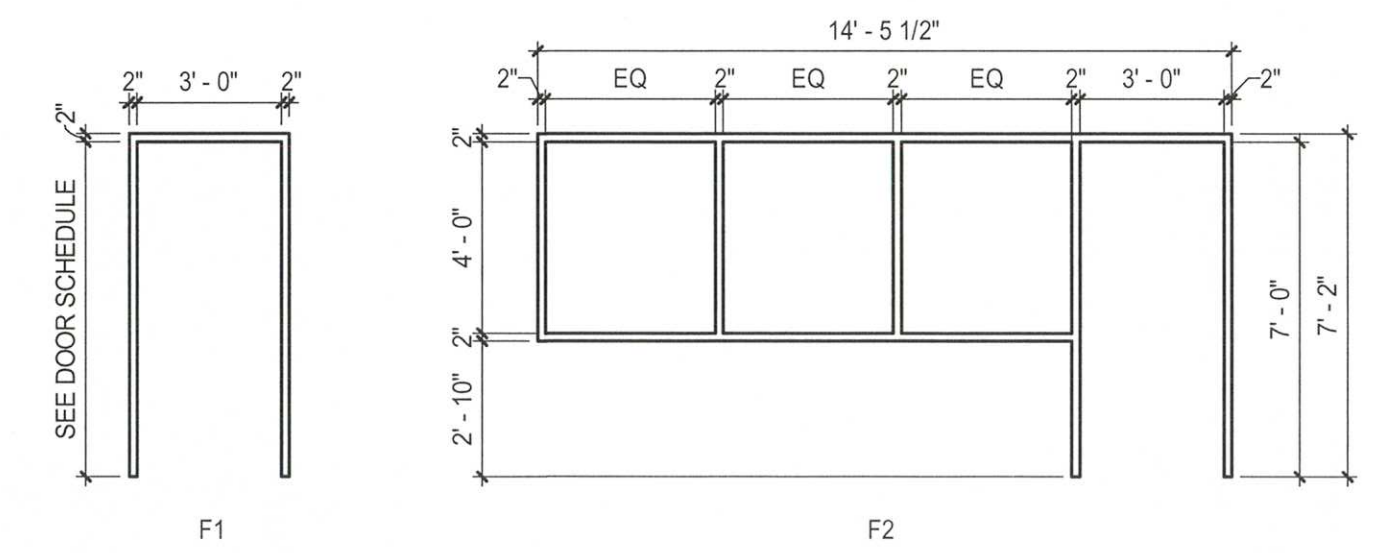
D6 DOOR TYPES
1/4" = 1'-0"



A6 WINDOW LEGEND
1/2" = 1'-0"



D11 ELEVATOR SECTION
3/8" = 1'-0"



A11 DOOR FRAME TYPES
1/4" = 1'-0"

144 Fox Street P.O. Box 618
Portland, Maine 04104
Tel: (207) 772-3846
Fax: (207) 772-0770
www.srninc.com

ARCHITECTURE
ENGINEERING
PLANNING
INTERIORS
ENERGY

SMART

LICENSED ARCHITECT
J. HANSEN
#1991
STATE OF MAINE
5-12-17

LIFE STORAGE FIT-UP
235 PRESUMPSCOT STREET
UPDATED PERMIT SET
5-12-17
CURRENT ISSUE STATUS:

REV	DESCRIPTION	DATE

GRAPHIC SCALE:
0" 1"

SCALE: As indicated
PROJECT MANAGER: JLH
JC/DRAWN BY: SHK
A/E OF RECORD: JLH
PROJECT NO: 15105
SMART FILE: AE501-15105
DATE:
SHEET TITLE:
DETAILS

SHEET No.
AE501
©COPYRIGHT 2014 SRN INC