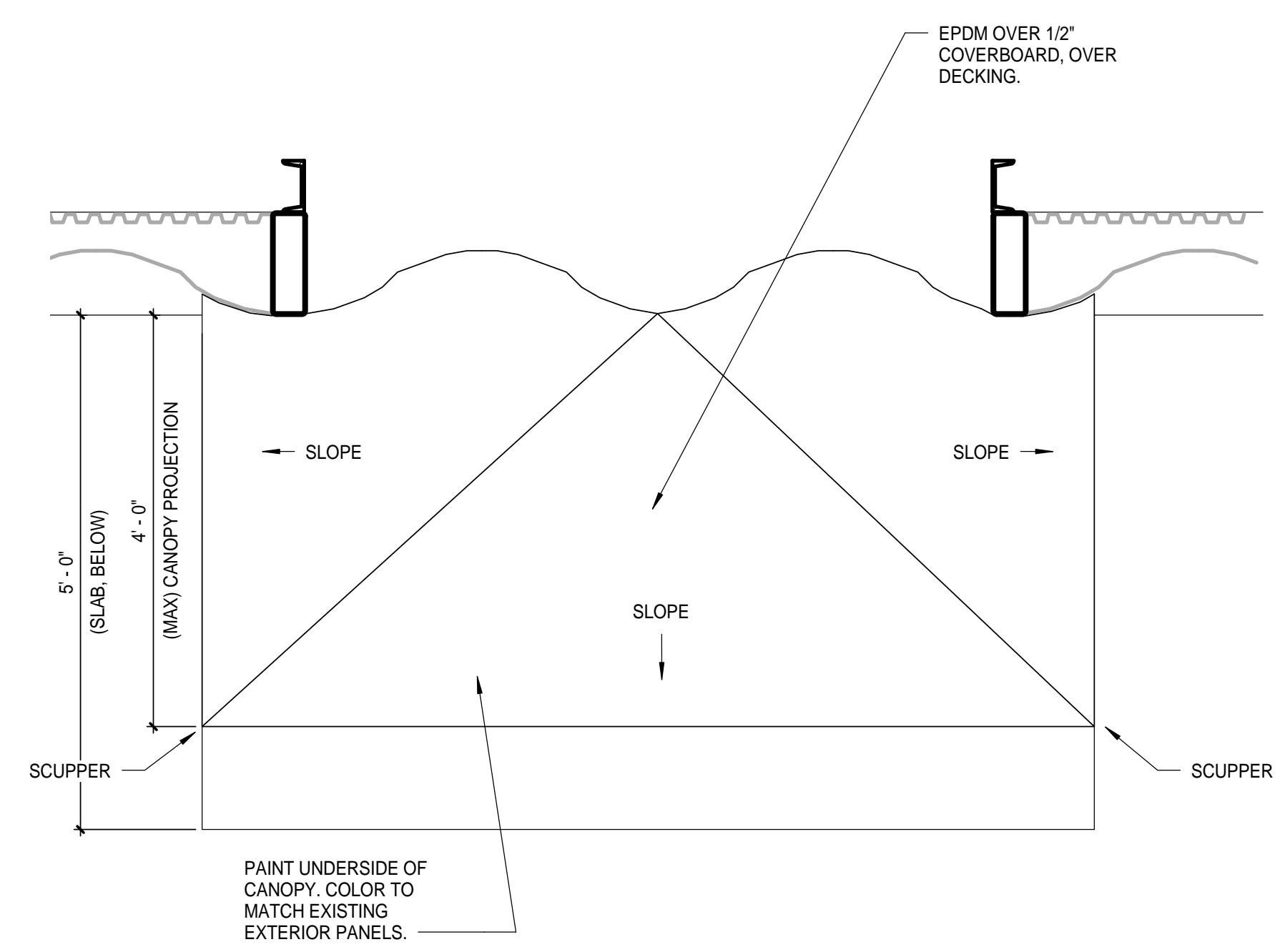


A1 FRAMING SECTION
3/4" = 1'-0"

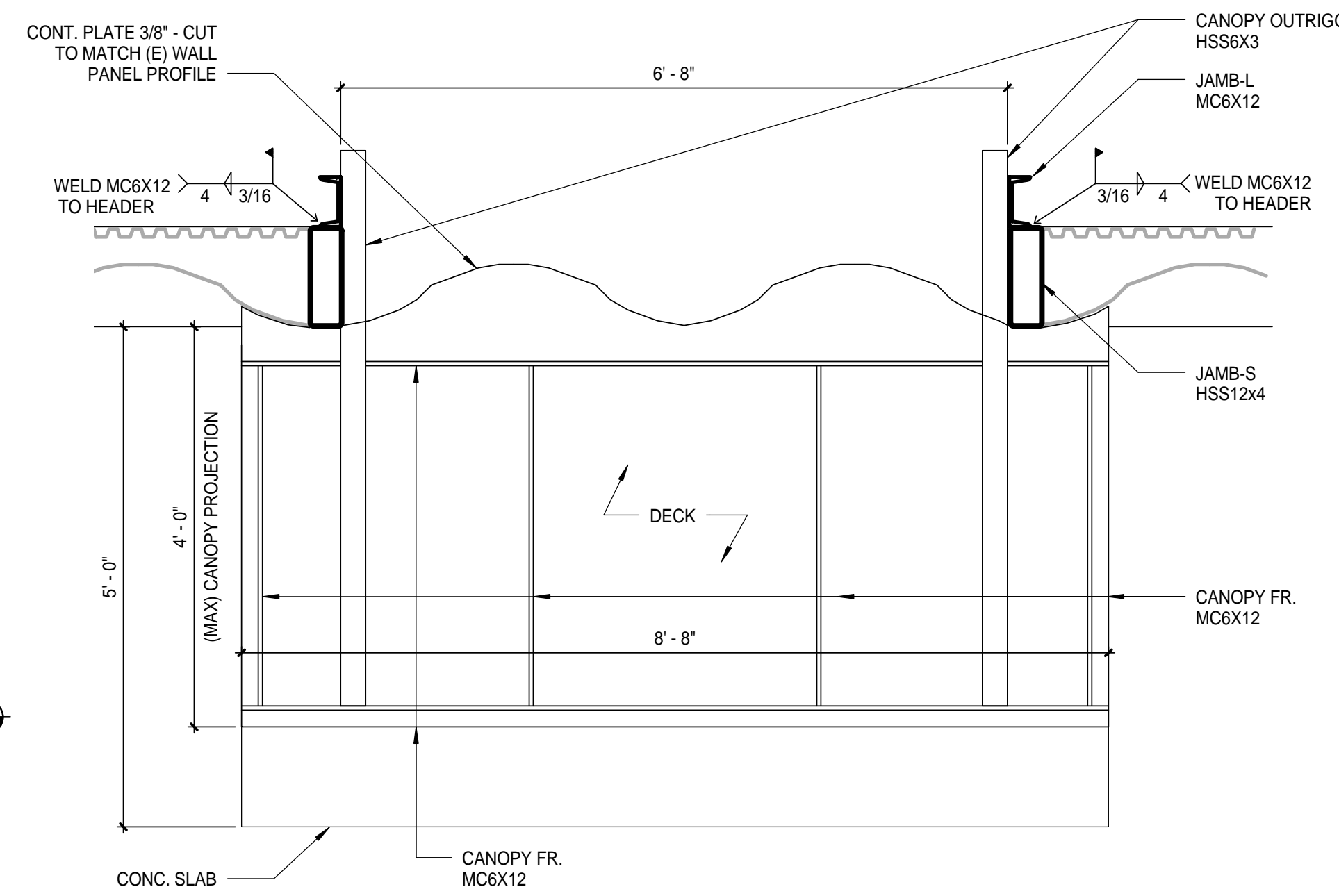
A6 ENLARGED FRAMING ELEVATION @ ENTRY
3/4" = 1'-0"

GENERAL AE301 NOTES:

- SEE G-001 FOR GENERAL NOTES
- SEE G-001 FOR STRUCTURE & FRAMING NOTES, STRUCTURAL STEEL NOTES, CONCRETE NOTES, AND DESIGN LOADS.



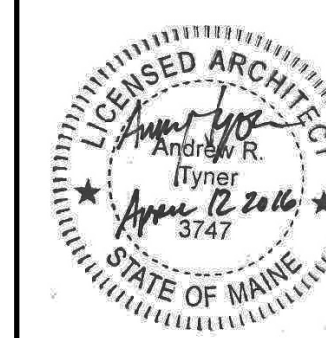
F11 ENLARGED CANOPY ROOF PLAN
3/4" = 1'-0"



A11 ENLARGED CANOPY FRAMING PLAN
3/4" = 1'-0"

144 For Steel/P.O. Box 618
Portland, Maine 04104
tel. (207) 772-3846
fax. (207) 772-1070
www.smrtinc.com

ARCHITECTURE
ENGINEERING
PLANNING
INTERIORS
ENERGY



NAPA AUTOPARTS TENANT FIT-UP

235 PRESUMPSCOT ST. PORTLAND, MAINE

PERMIT SET
4-12-16

CURRENT ISSUE STATUS:

REV	DESCRIPTION	DATE

GRAPHIC SCALE:
0' 1'

SCALE: As indicated
PROJECT MANAGER: JLH
JC/DRAWN BY: SHK
A/E OF RECORD: JLH
PROJECT NO: 15105
SMRT FILE: AE301-15105
DATE:

SHEET TITLE:
SECTIONS AND FRAMING

SHEET No.
AE301