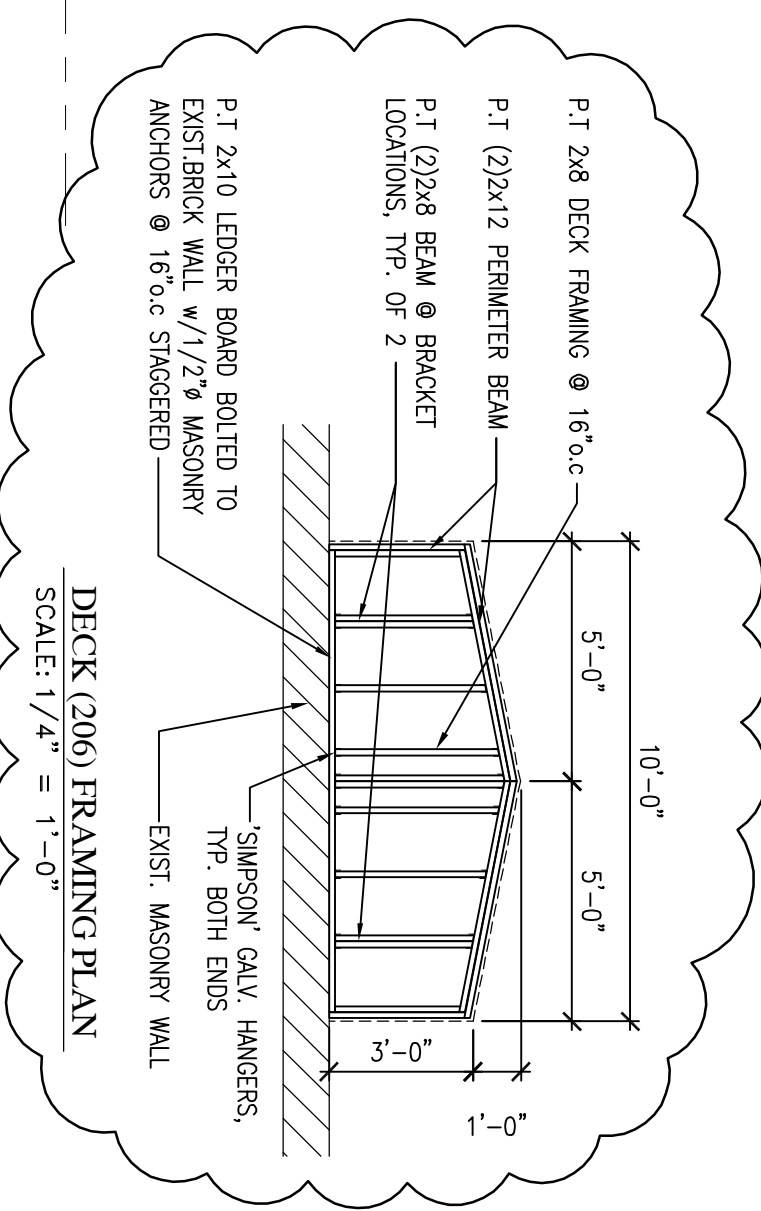
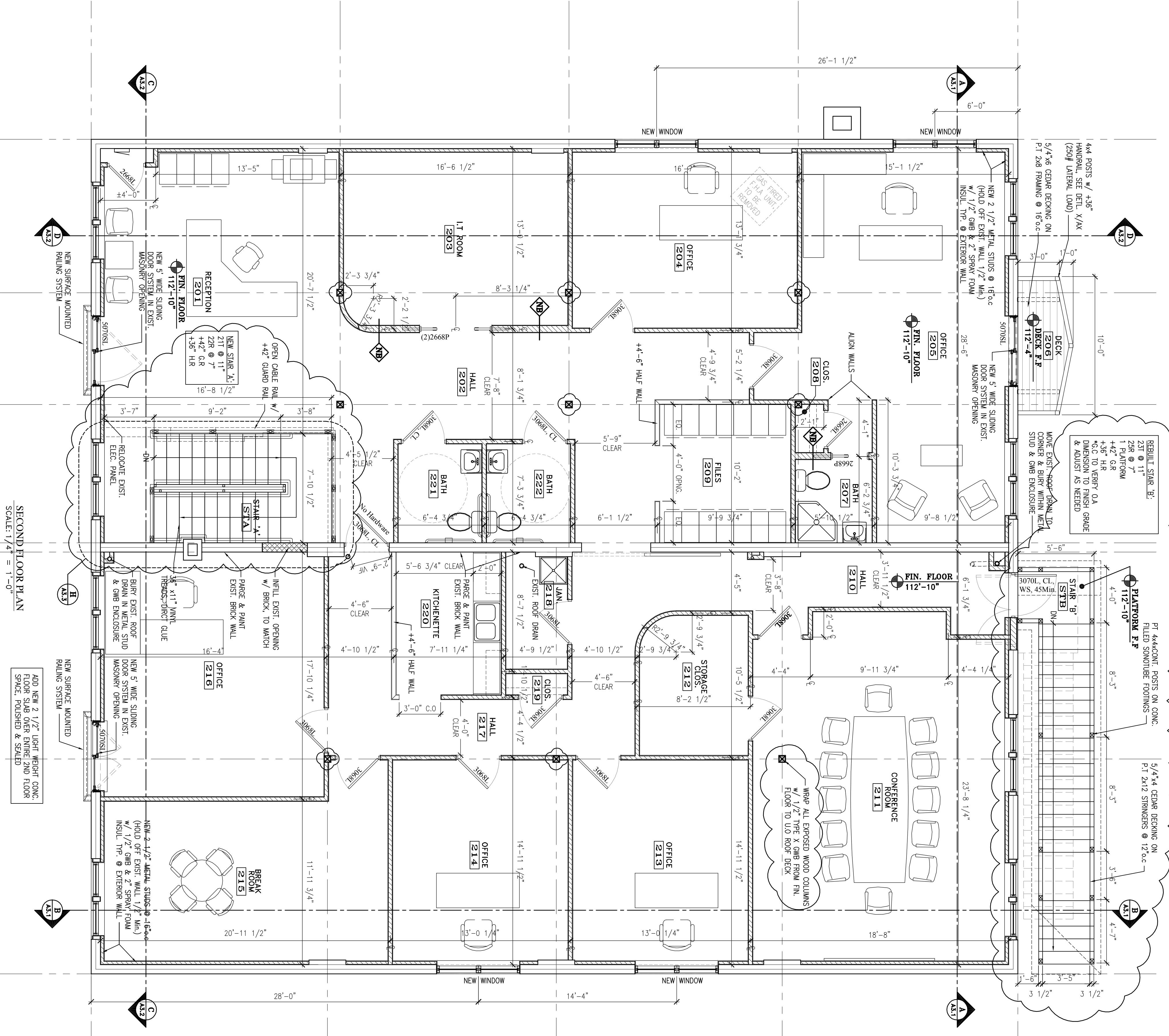


ISSUE DATE	DESCRIPTION
03-23-11	PRELIM.
-	Board
-	CDs
06-03-11	REV. 1
-	REV. 2
06-03-11	PRINT



SECOND FLOOR PLAN

SCALE: 1/4" = 1'-0"
NOTE: ALL INTERIOR PARTITIONS TO BE TYPE MA UON

REVISED PRICING SET #2
06-03-11