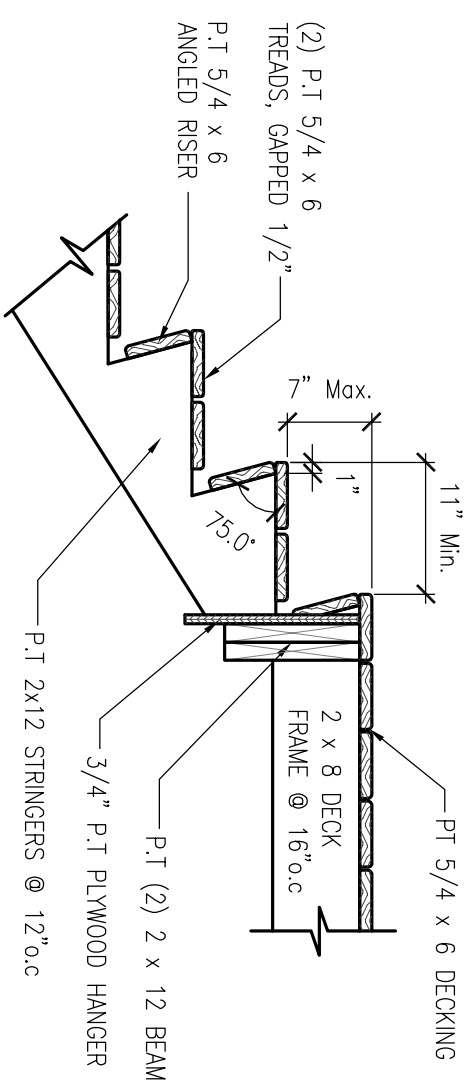


ABBREVIATIONS:

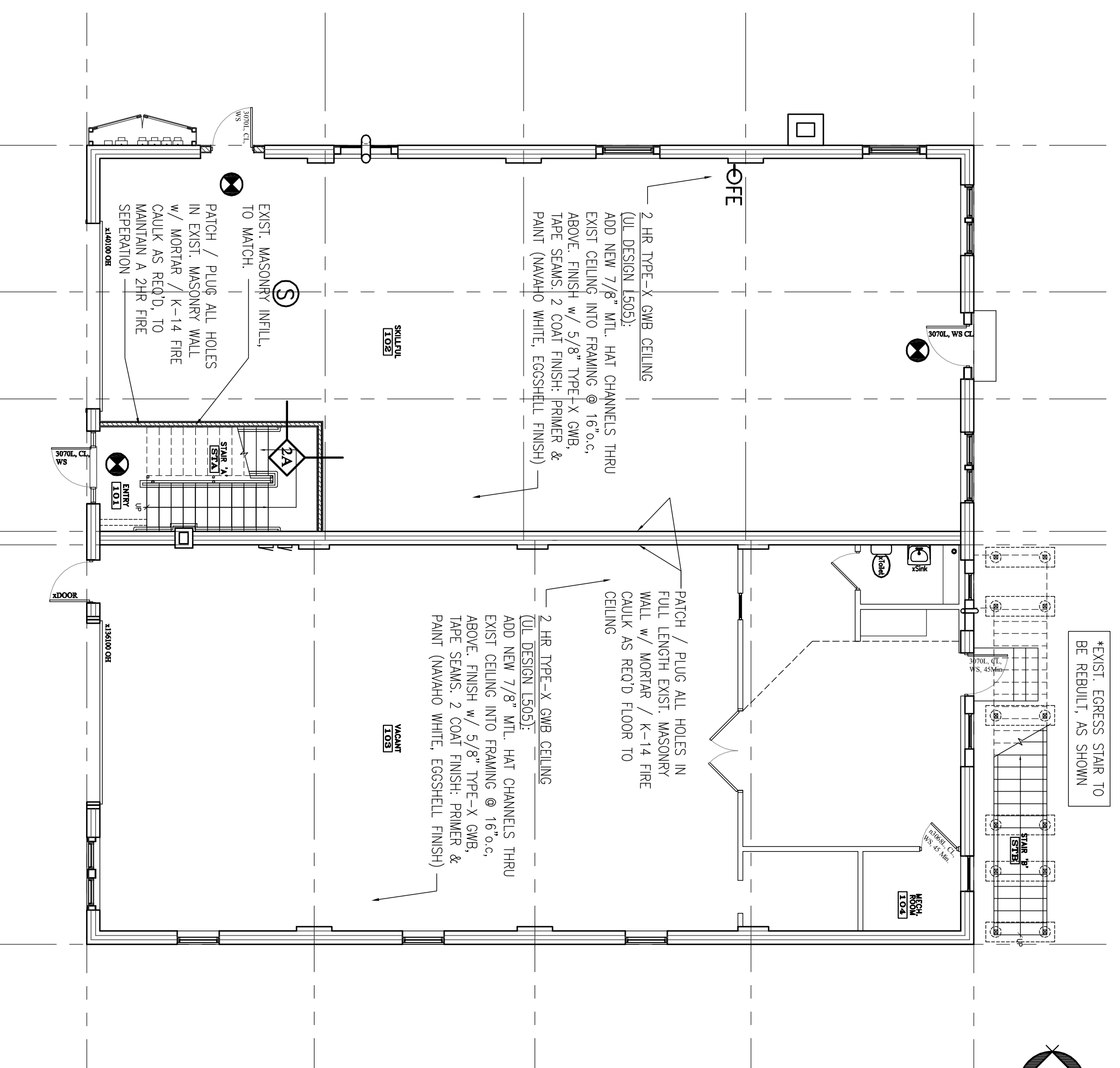
C.O.	=	CASED OPENING w/ 1x3 PLAT CEILING
CL	=	w/ EASED EDGES
CS	=	DOOR CLOSER
WS	=	WEATHER STRIPPING SYSTEM
DB	=	DATA BOIT
L	=	LEADER
≡	=	RELOCATED
X	=	EXISTING TO REMAIN



EGRESS STAIR NOSING DETAIL
SCALE: 3/4" = 1'-0"

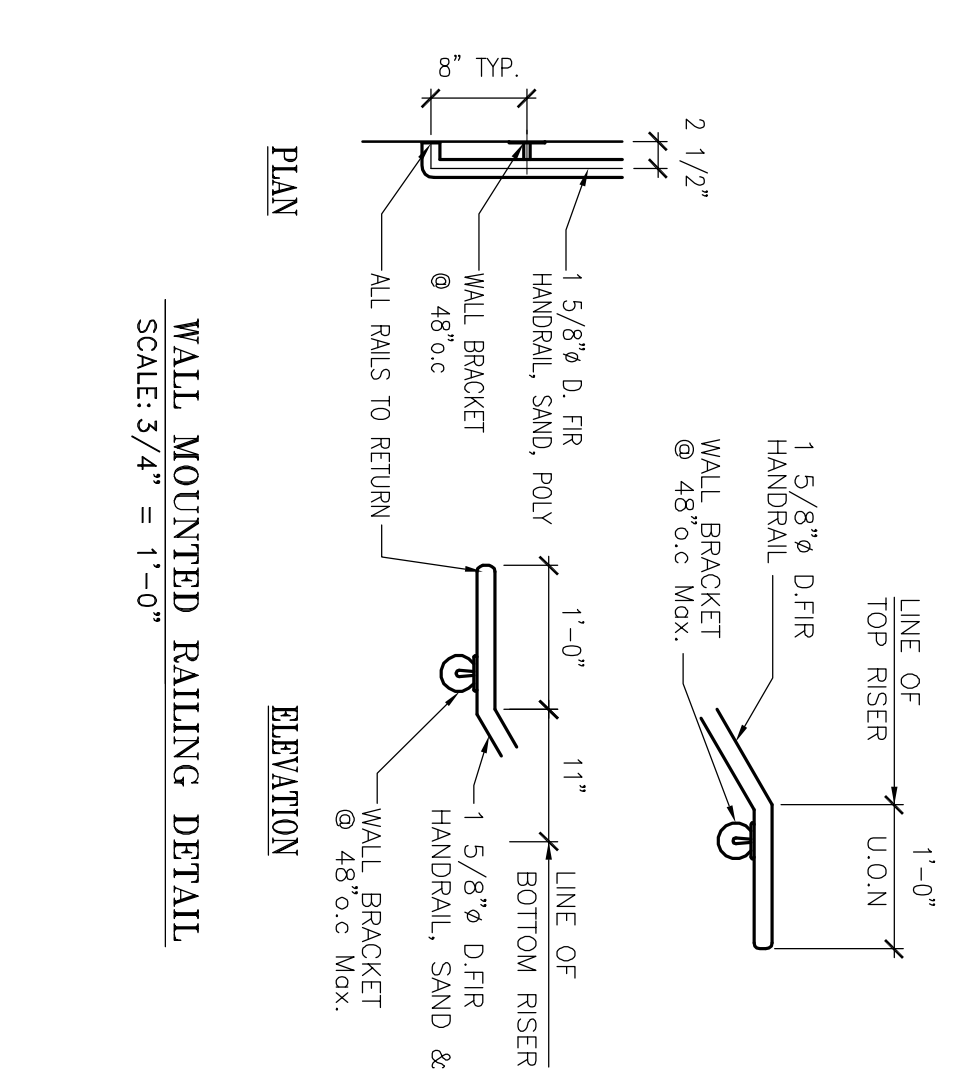
FIRE PROTECTION LEGEND

- ☉ FIRE EXTINGUISHER
- ☼ EXIT LIGHT
- ☼ STROBE ONLY WITH CANDELLA RATING AS NOTED
- ☼ HORN STROBE WITH CANDELLA RATING AS NOTED
- ☼ DUAL EMERGENCY LIGHT
- ☼ SINGLE EMERGENCY LIGHT
- ☼ SMOKE DETECTOR (CEILING)
- ☼ CARBON MONOXIDE DETECTOR
- ☼ FIRE ALARM MASTER CONTROL PANEL
- ☼ PULL STATION
- ☼ EXTERIOR EGRESS LIGHT
- ☼ NOT AN EXIT SIGN w/ RASSED BRILLE
- ☼ VAN ACCESSIBLE
- ☼ CARBON MONOXIDE DETECTOR

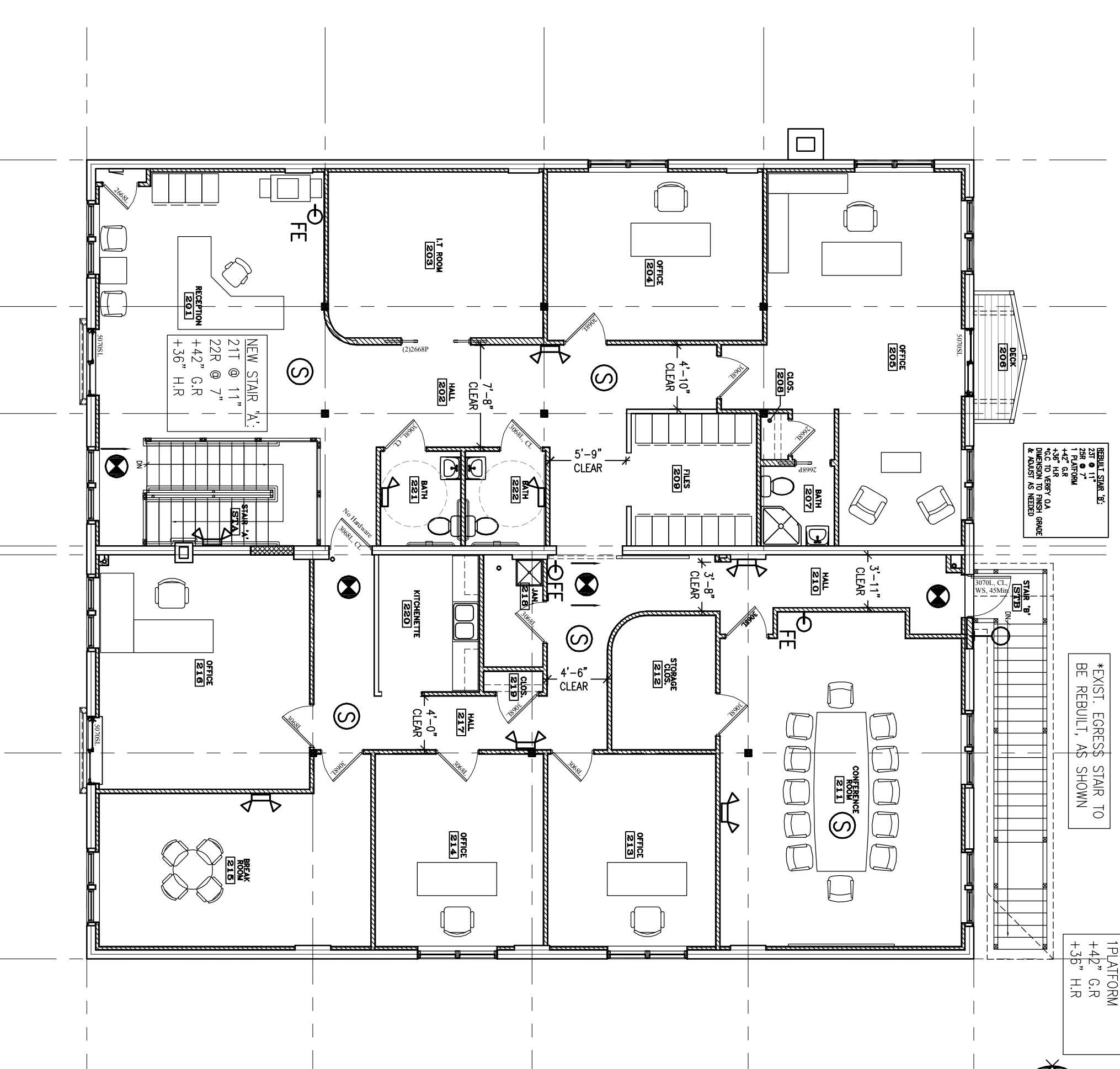


FIRST FLOOR PLAN
SCALE: 1/8" = 1'-0"

REFER TO DWG A-1.1 FOR ENLARGED FIRST FLOOR PLAN



WALL MOUNTED RAILING DETAIL
SCALE: 3/4" = 1'-0"



SECOND FLOOR PLAN
SCALE: 1/8" = 1'-0"

REFER TO DWG A-1.2 FOR ENLARGED SECOND FLOOR PLAN

REVISIONS

NO.	DATE	DESCRIPTION
1	06-03-11	REVISED PRICING SET #2

PARTITION TYPES:

1/2\"/>

NOTE: USE MR GNB @ ALL WET AREAS

HAIR WALL @ FILLS AREA NOT RATED

SCALE: NTS

A L P H A
ARCHITECTS

17 CHESTNUT STREET
PORTLAND, ME 04101
PHONE: 207.761.9500
FAX: 207.761.9595
design@alpharchitects.com

COPYRIGHT
Reuse or reproduction of the contents of this document is not permitted without the permission of ALPHA ARCHITECTS

REVISED PRICING
SET #2:
NOT FOR
CONSTRUCTION

Hascall and Hall Offices
273 Presumpscot Street
Portland, ME 04103

JOB: 11112

ISSUE DATE	
PRELIM.	03-23-11
Board	-
CDs	-
REV. 1	06-03-11
REV. 2	-
PRINT	06-03-11

FIRST &
SECOND
FLOOR PLANS
A-1.0

REVISED PRICING SET #2
06-03-11