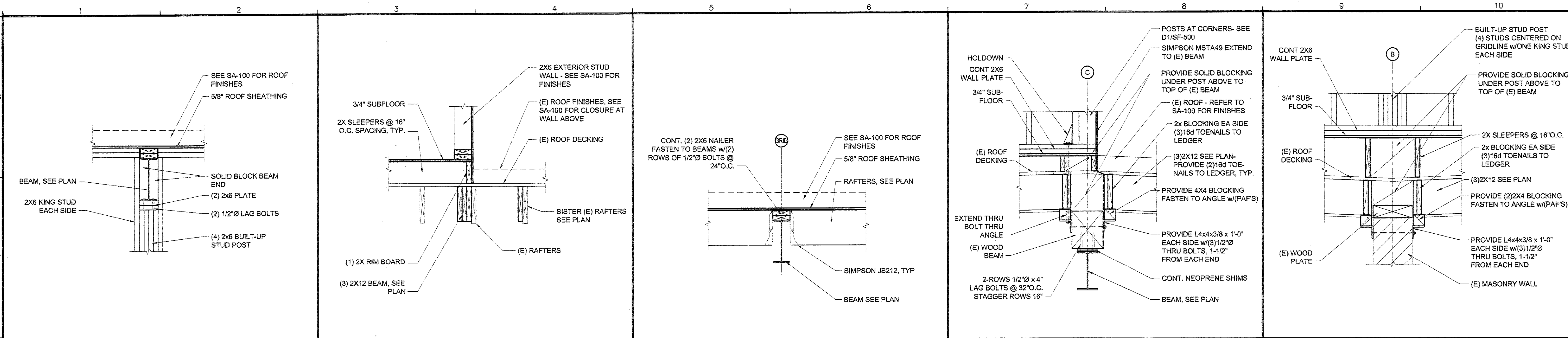
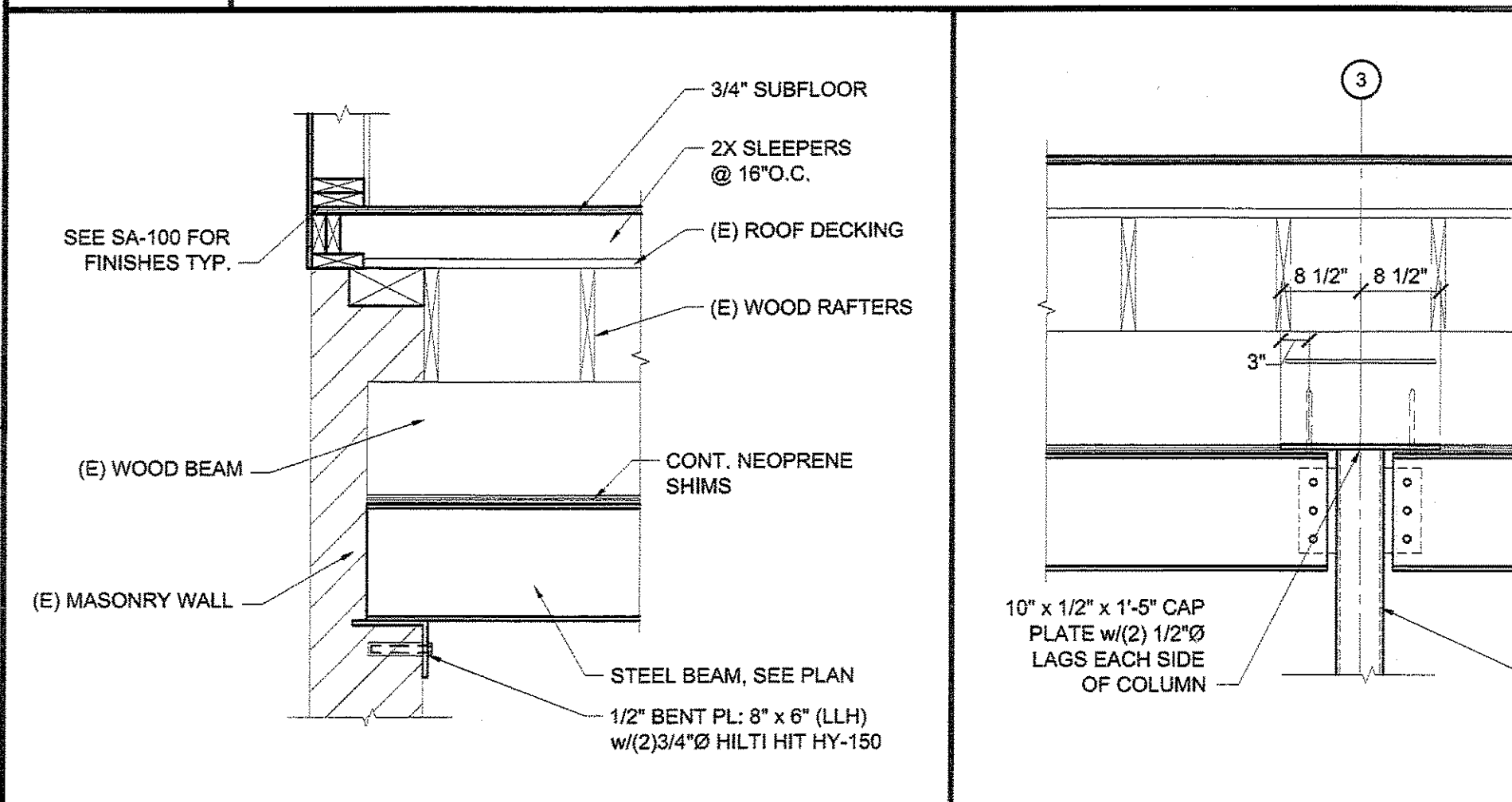
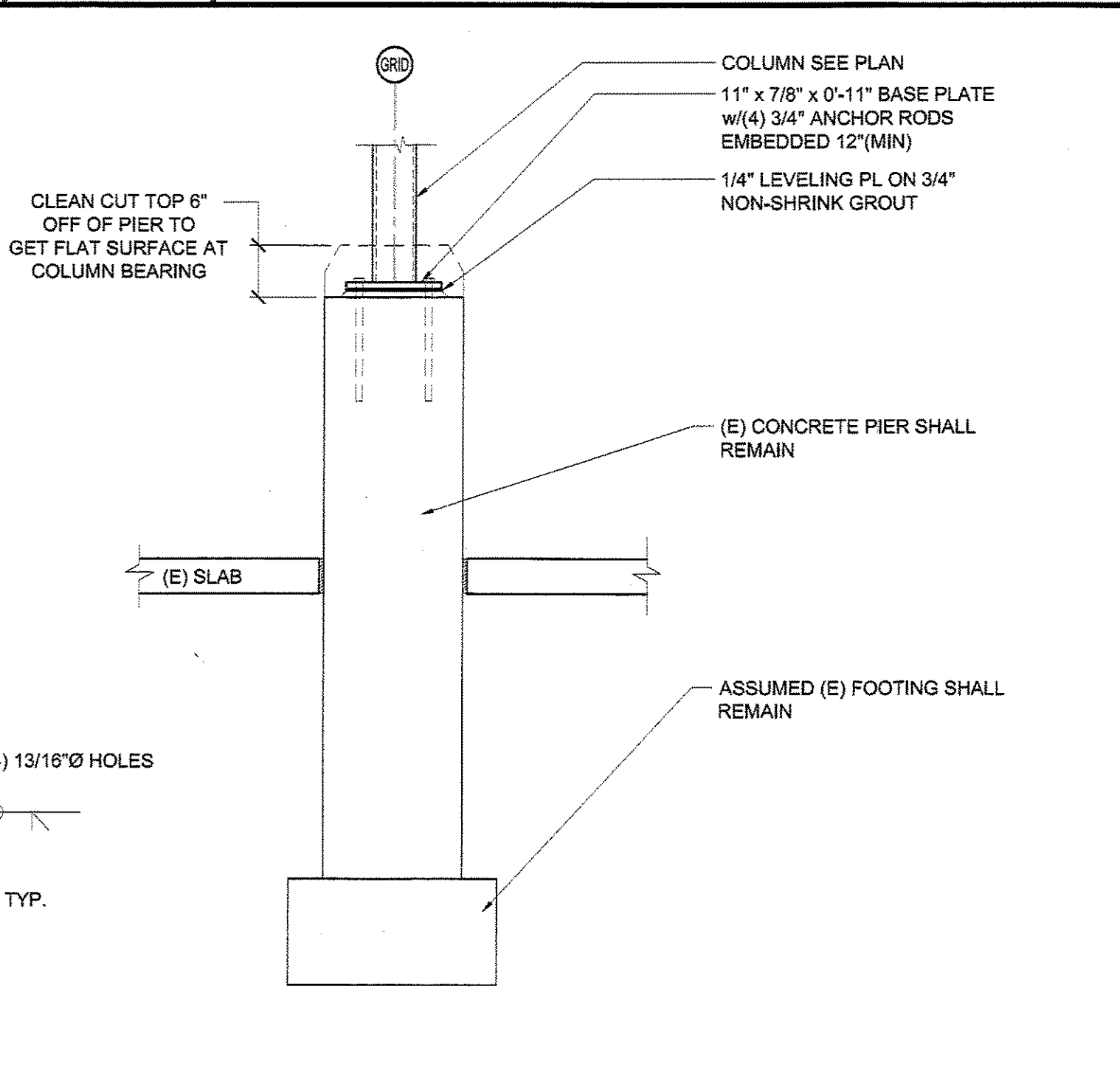
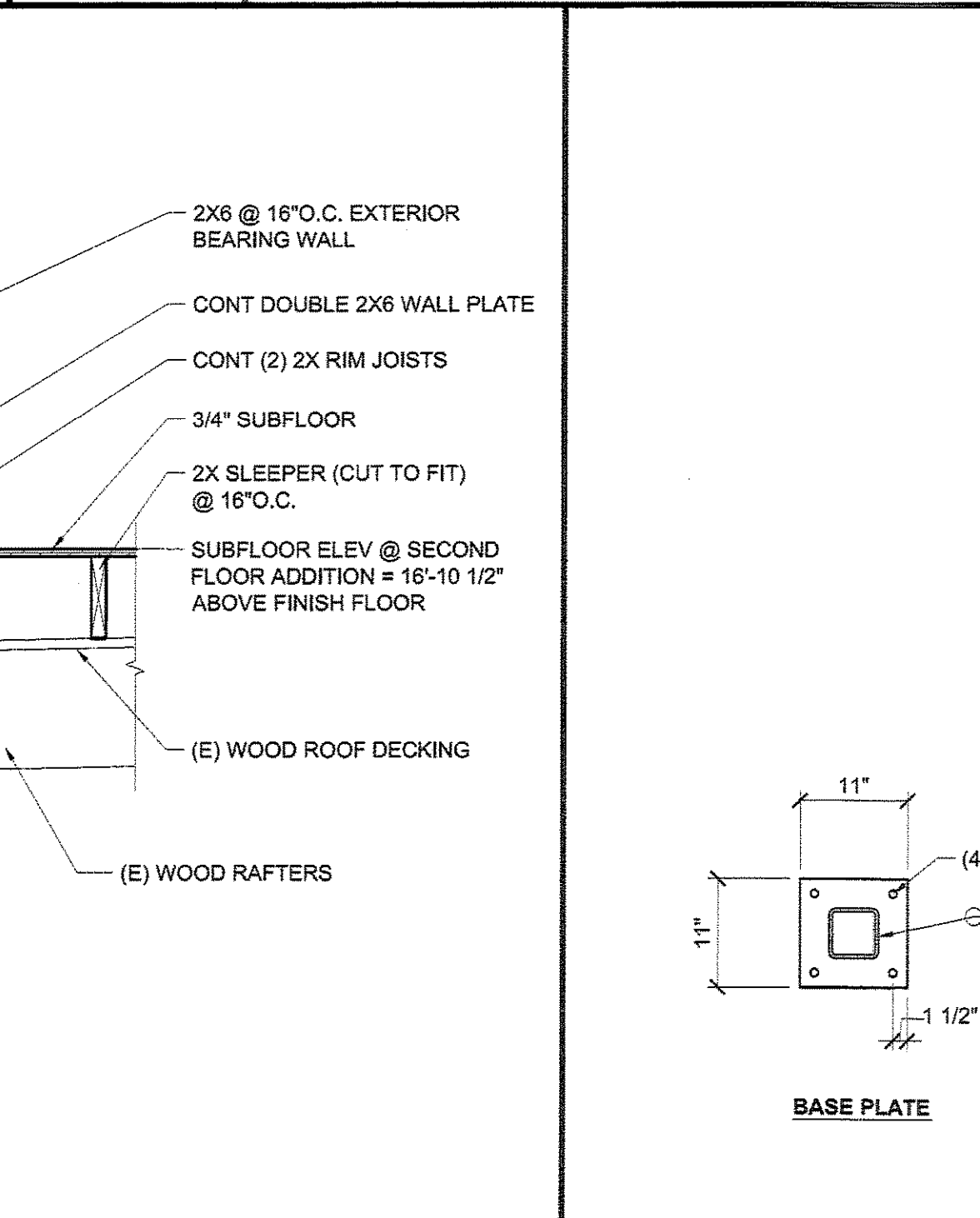
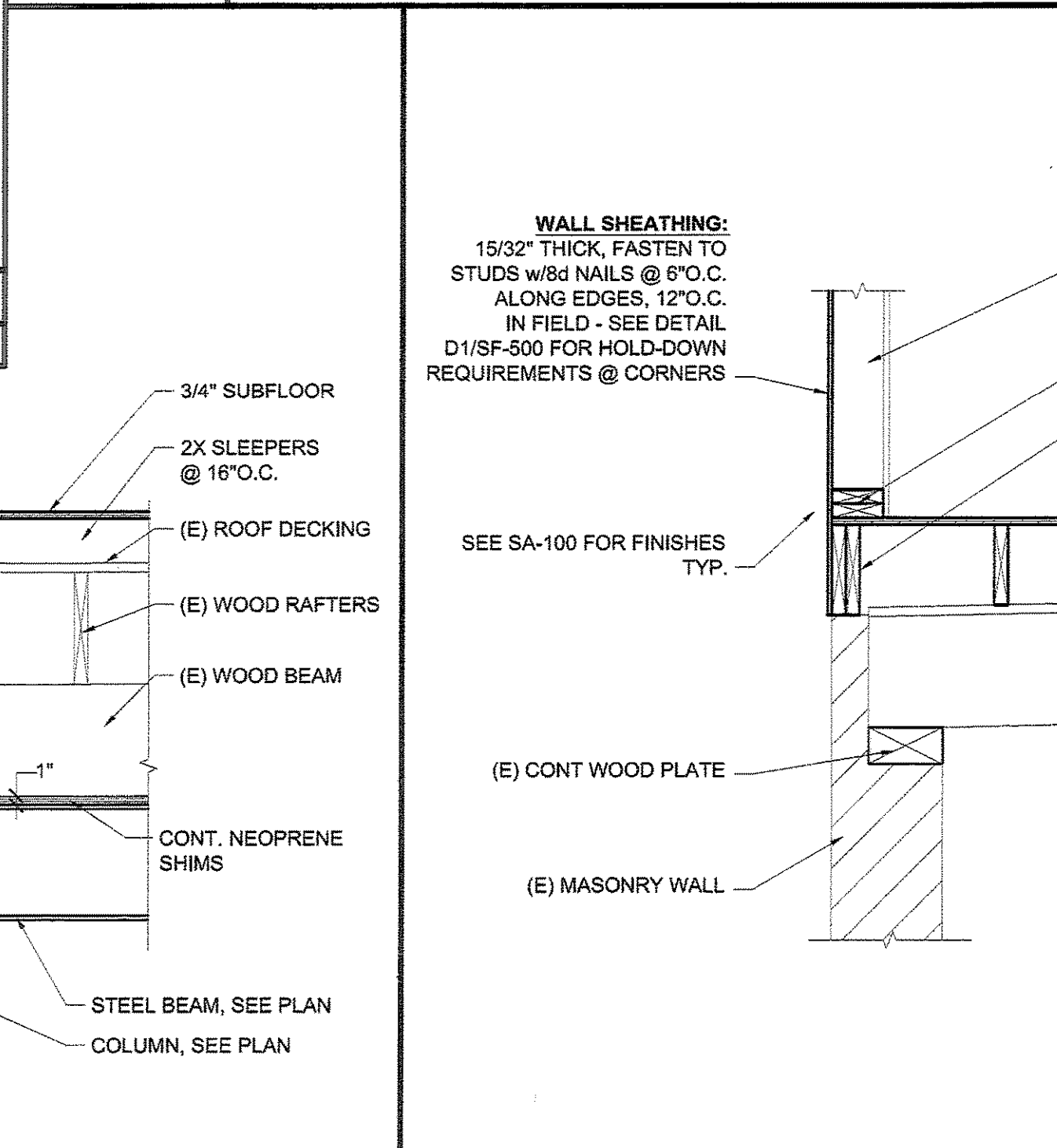
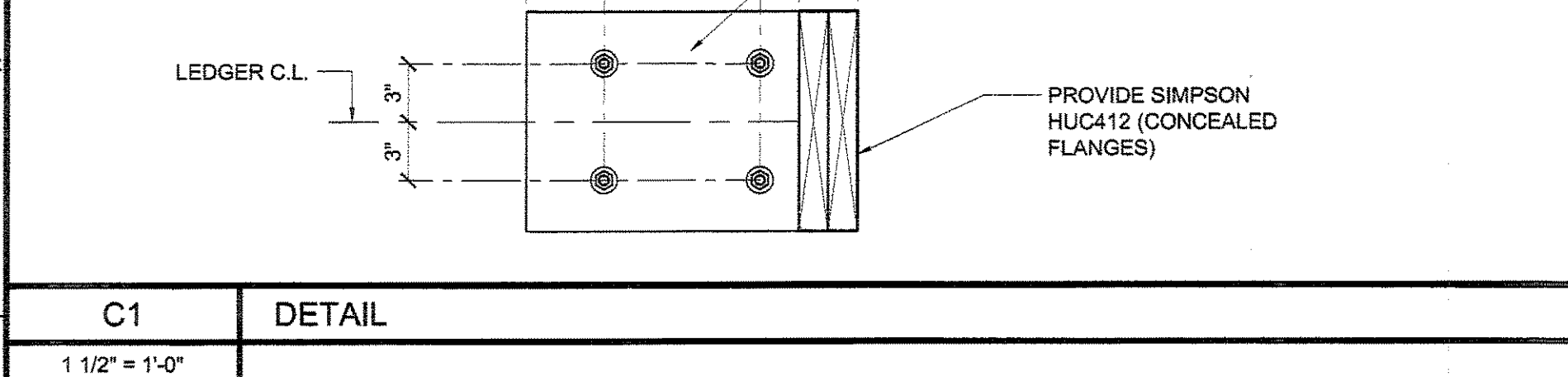
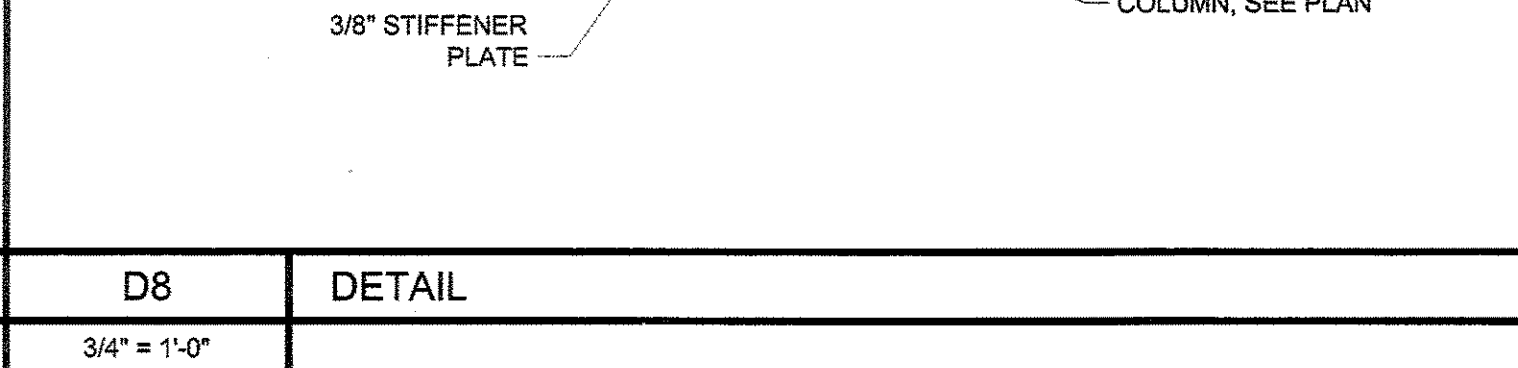
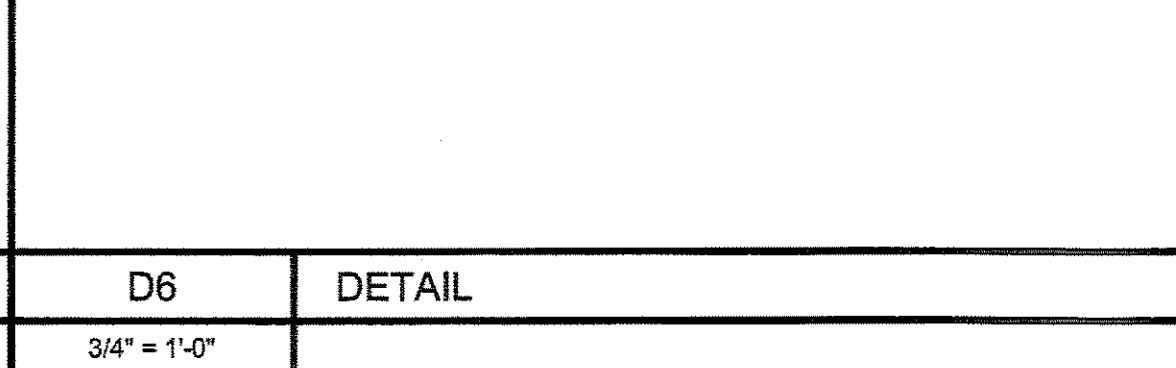
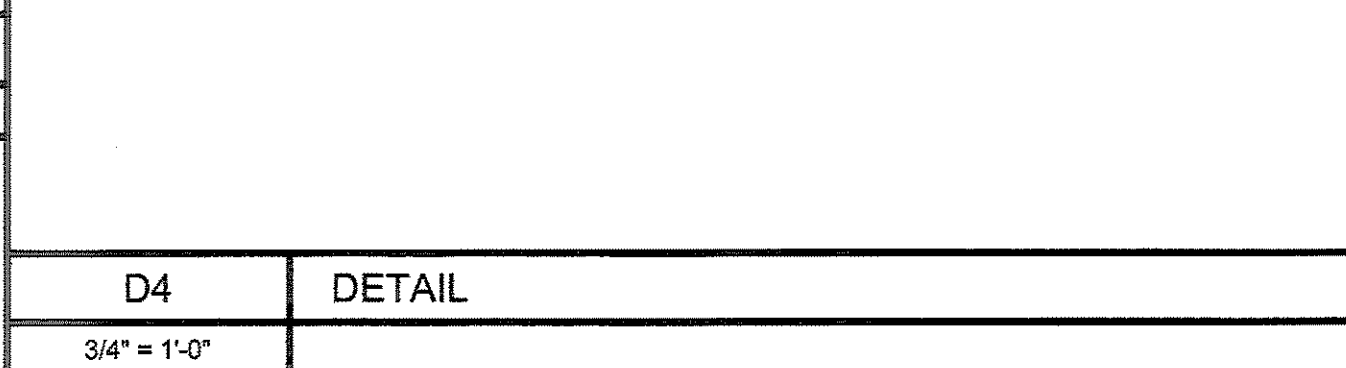
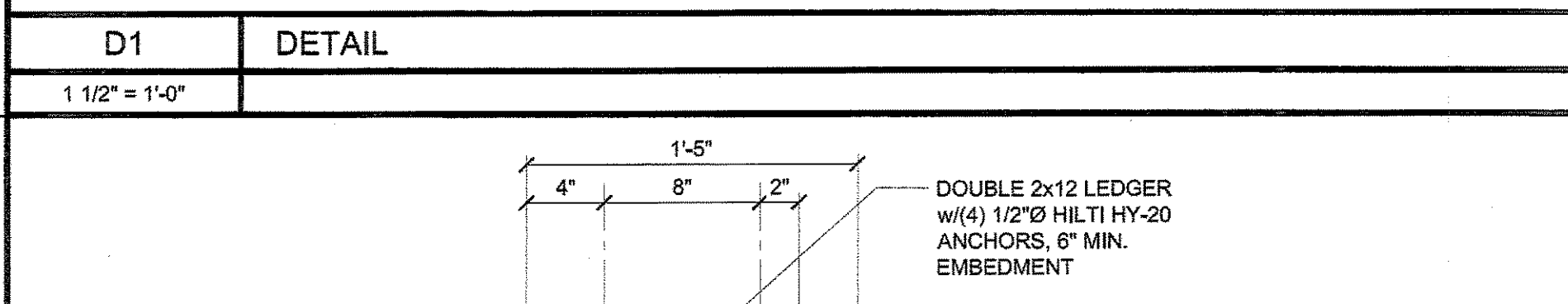
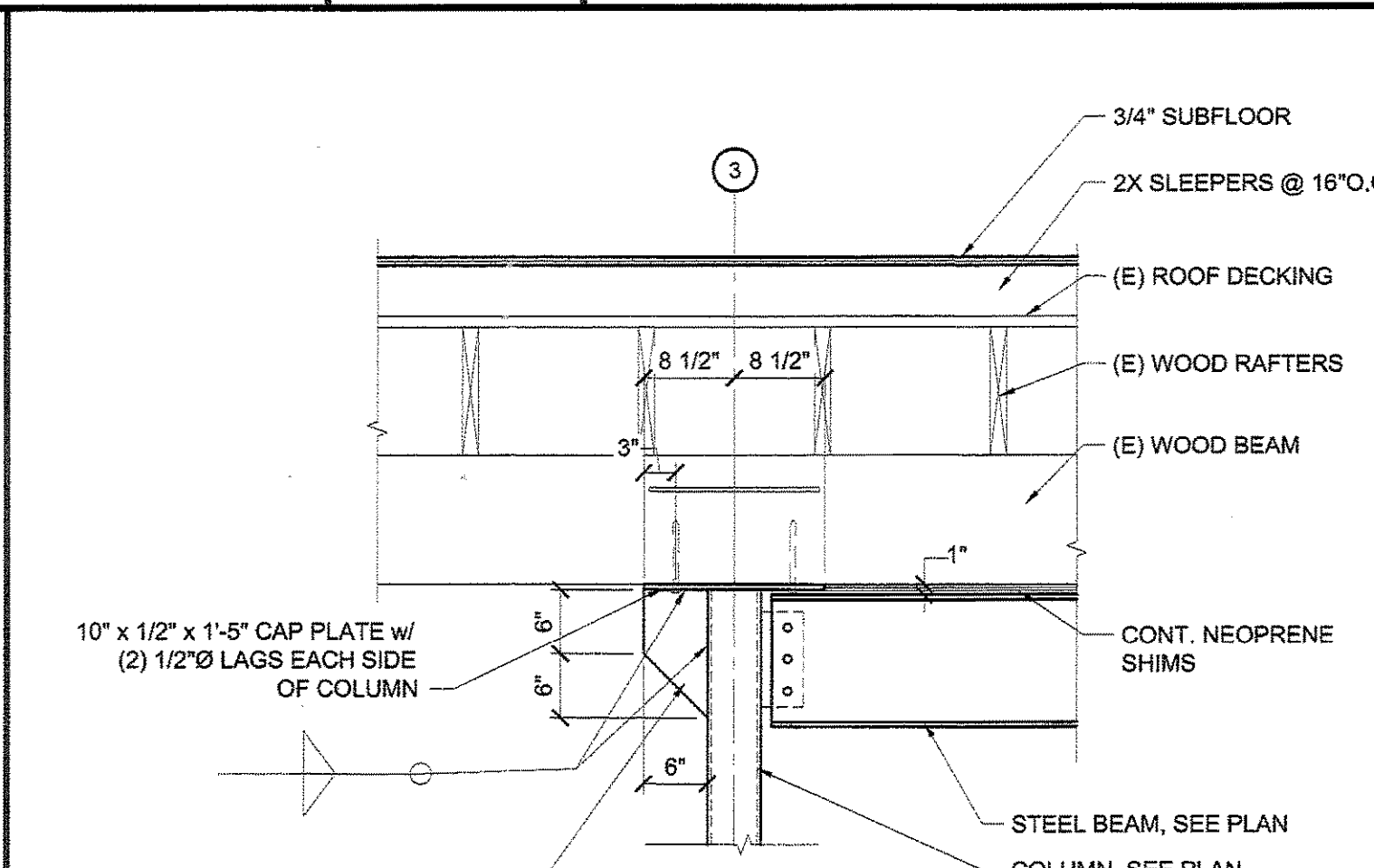
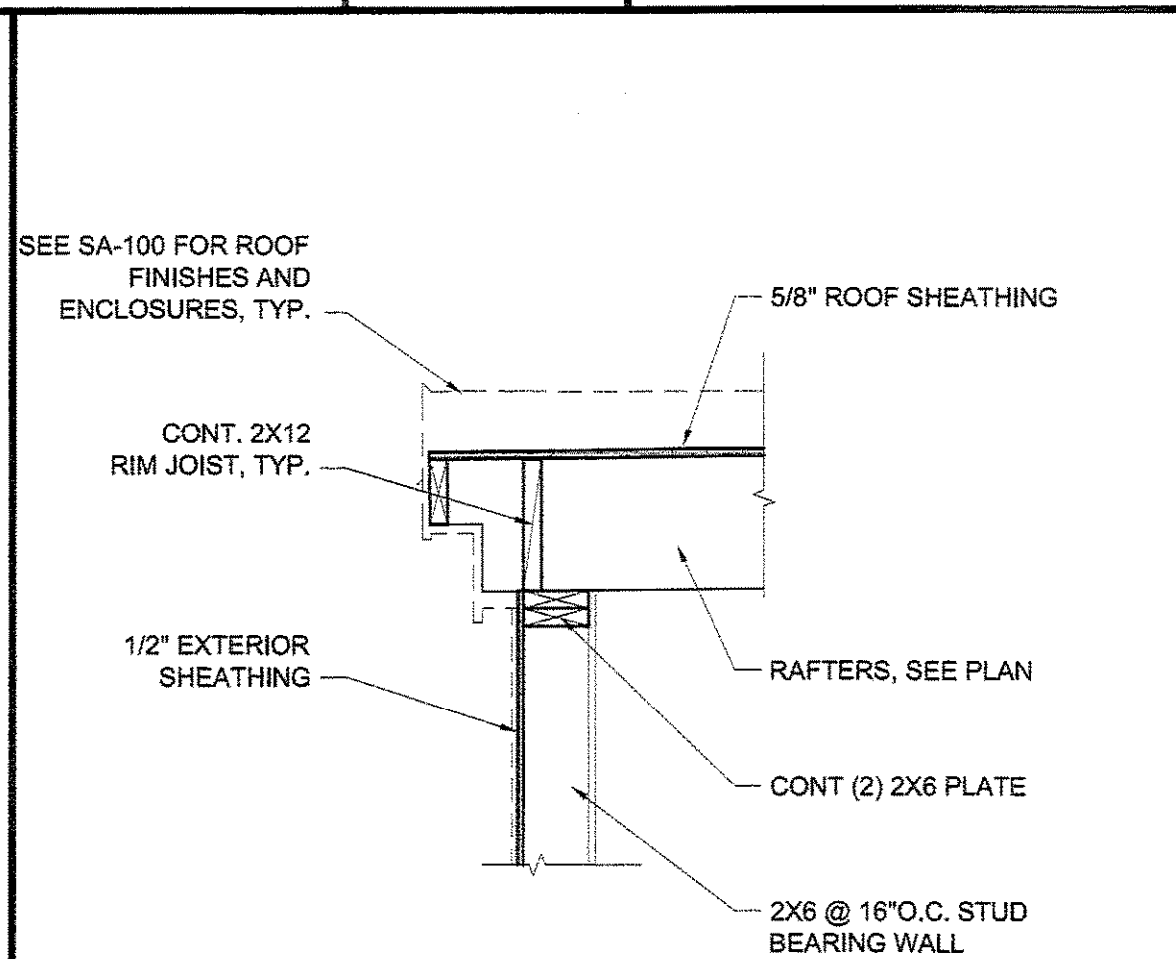
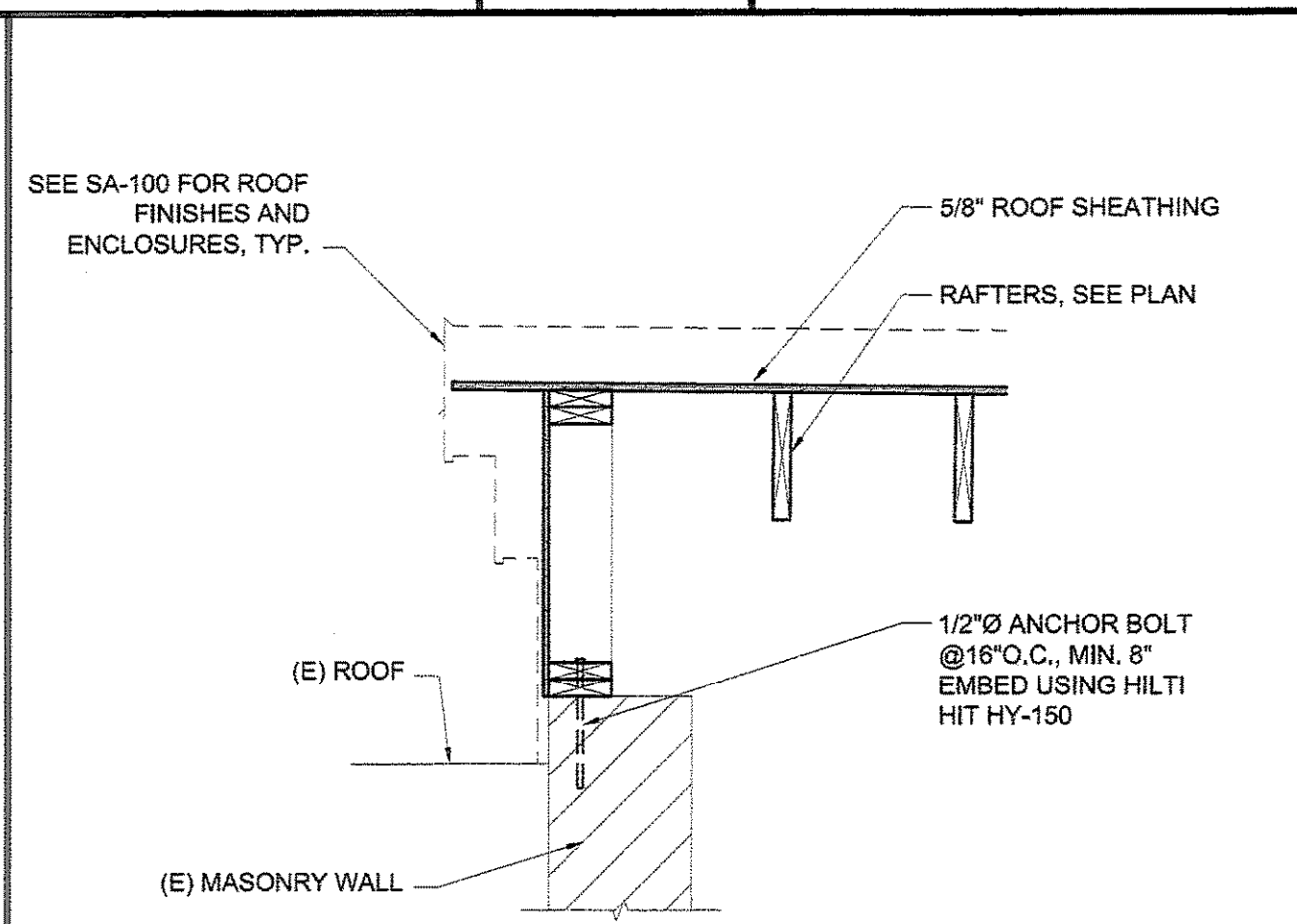
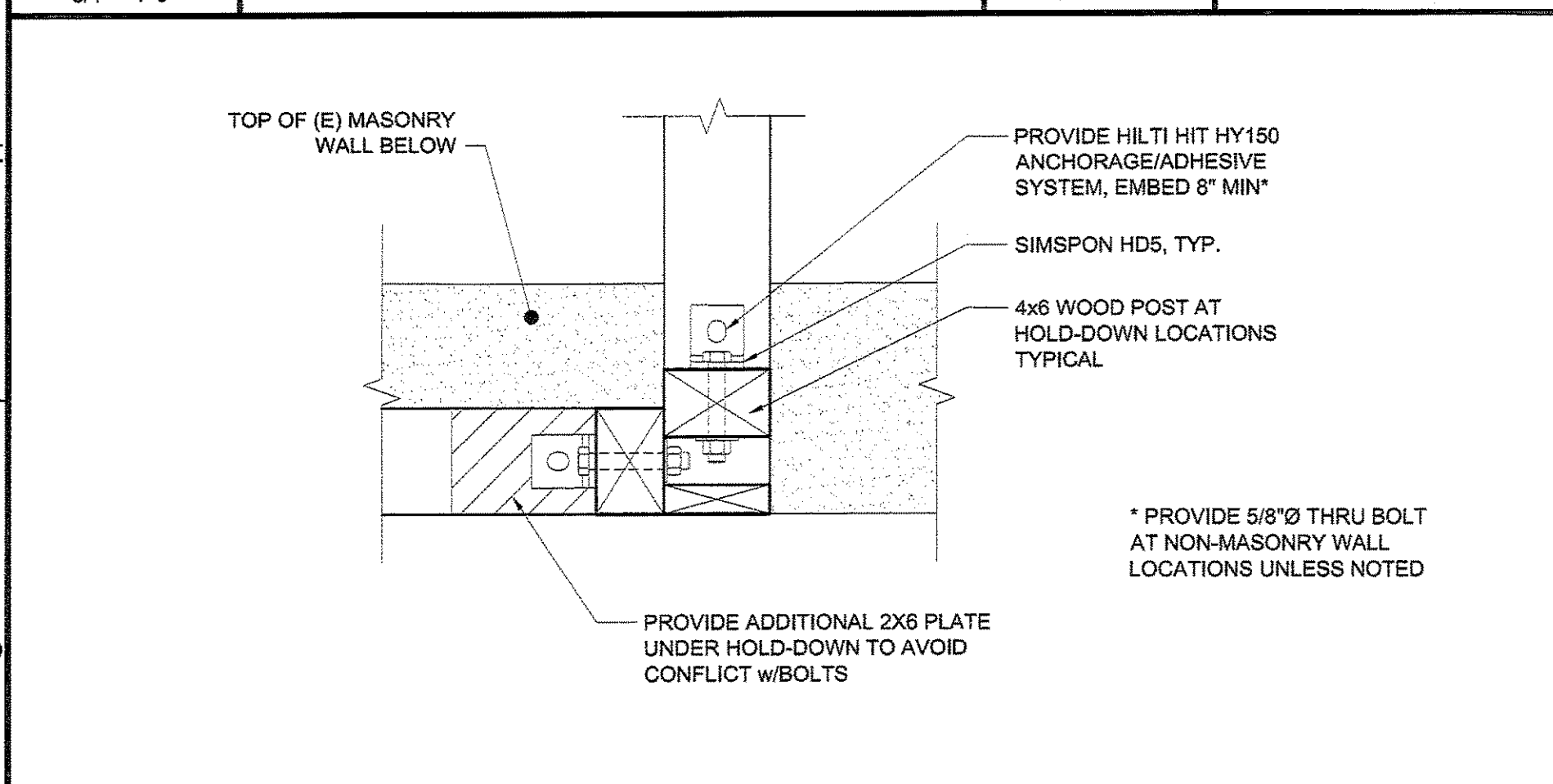


N:\Projects\2007\07099 - Hascall and Hall Building\00 Drawing Files\07099S.dwg Sep 10, 2010 11:32am



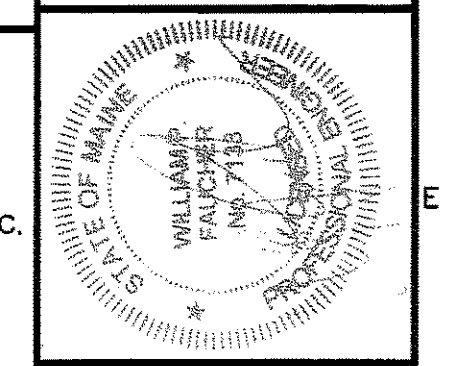
F1 TYPICAL BEAM POCKET DETAIL 3/4" = 1'-0" F3 DETAIL 3/4" = 1'-0" F5 DETAIL 3/4" = 1'-0" F7 DETAIL 3/4" = 1'-0" F9 DETAIL 3/4" = 1'-0"



A1 DETAIL 3/4" = 1'-0" A3 DETAIL 3/4" = 1'-0" A5 DETAIL 3/4" = 1'-0" A7 DETAIL 3/4" = 1'-0"

160 Veranda Street
 Portland, Maine 04103
 T: 207.221.2260
 F: 207.221.2266
 Web: www.allied-eng.com

Allied Engineering
 Structural Mechanical Electrical Commissioning



REVISIONS	DESCRIPTION	DATE	BY	NUMBER

Date: 08/10/2010	Drawn By: PED
Checked By: WPF	Project Mgr: WPF
Project No: 07099	Coord File: 07099S.DWG
Graphic Scale: 1" = 0'	Scale: 0

STRUCTURAL DETAILS
 HASCALL AND HALL BUILDING
 SECOND FLOOR ADDITION
 PORTLAND, MAINE

SF-500