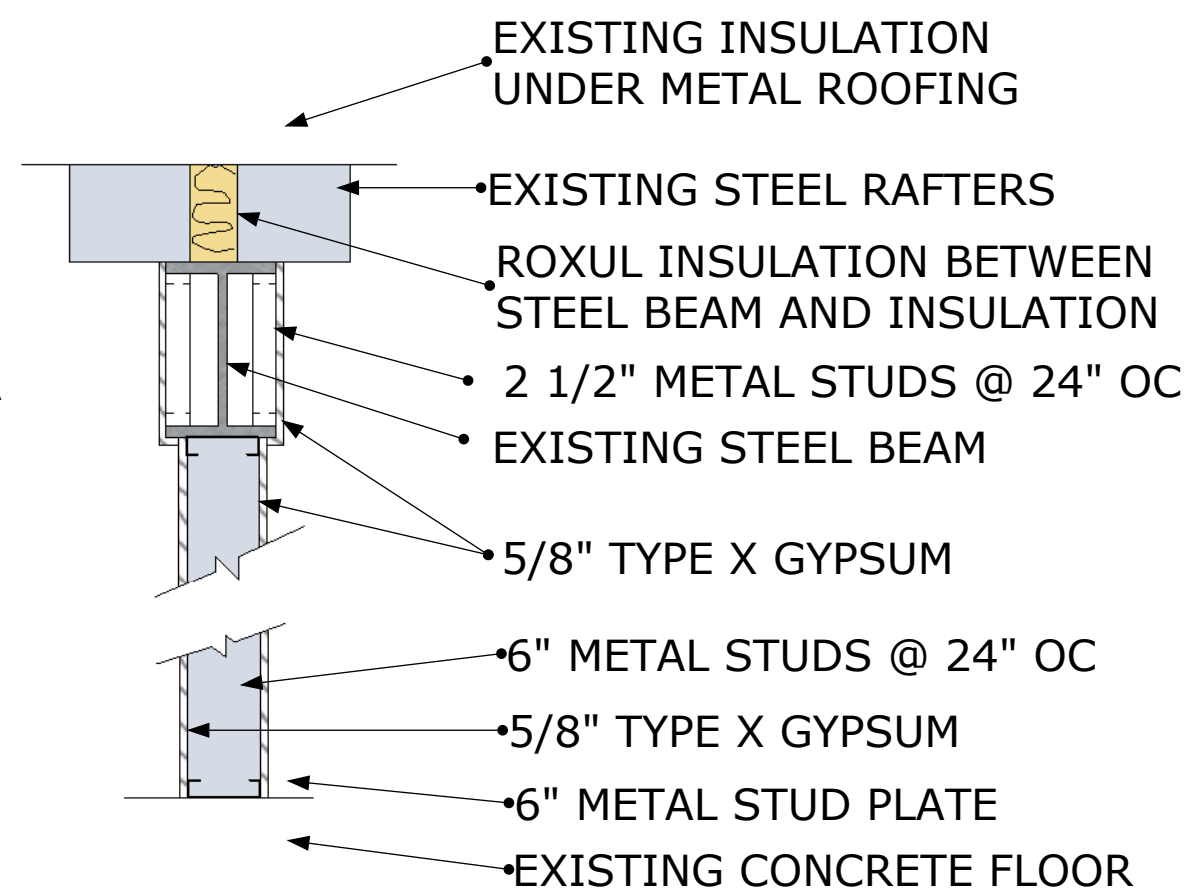


1 HOUR WALL PARTITION
UL DESIGN U465



WALL SECTION AT FLOOR AND CEILING