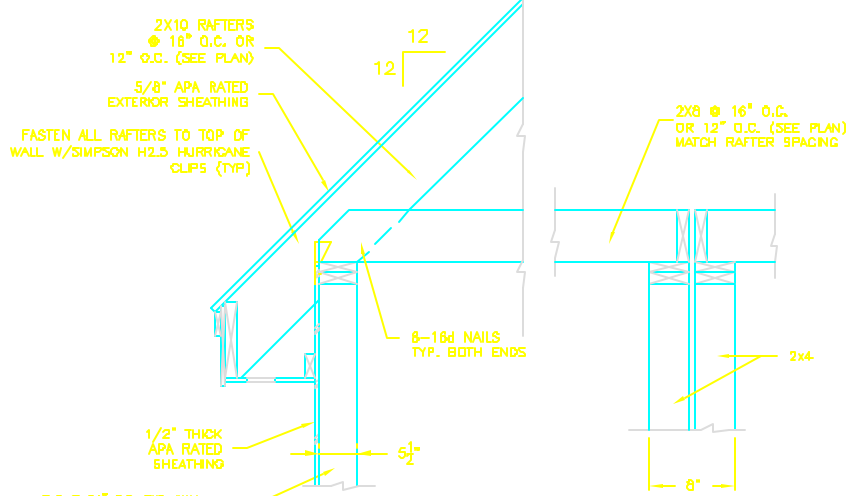
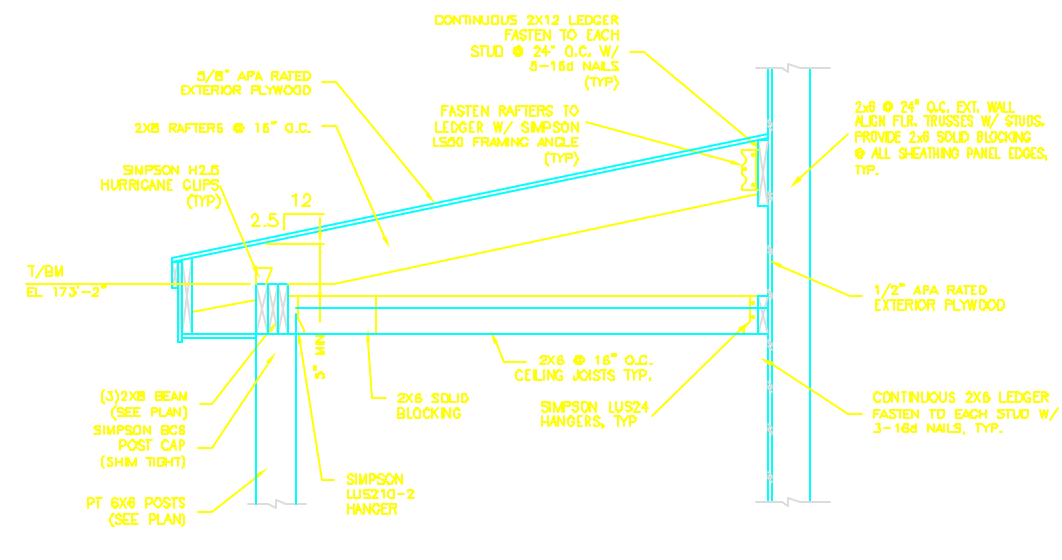


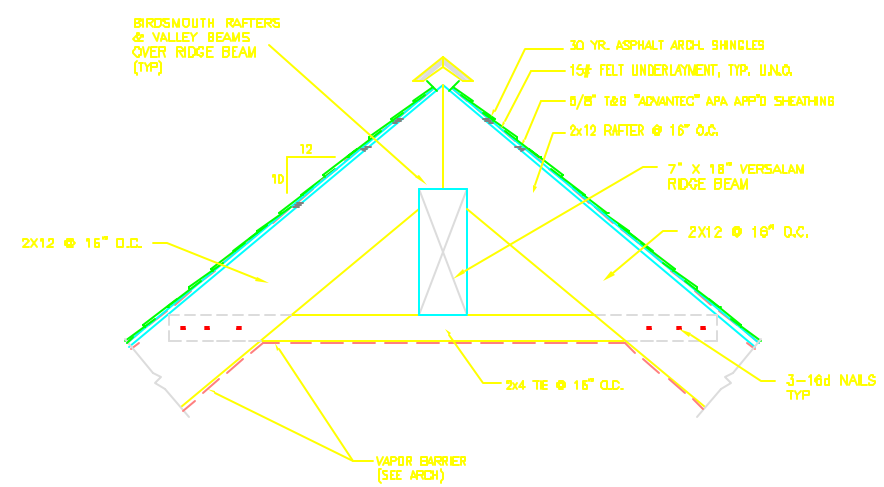
SECTION 1
1"=1'-0" SB



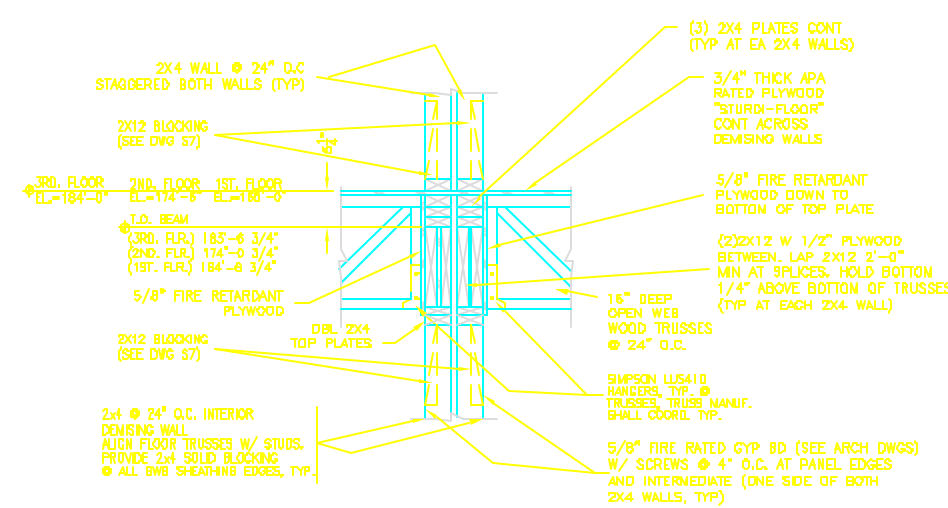
SECTION 2
1"=1'-0" SB



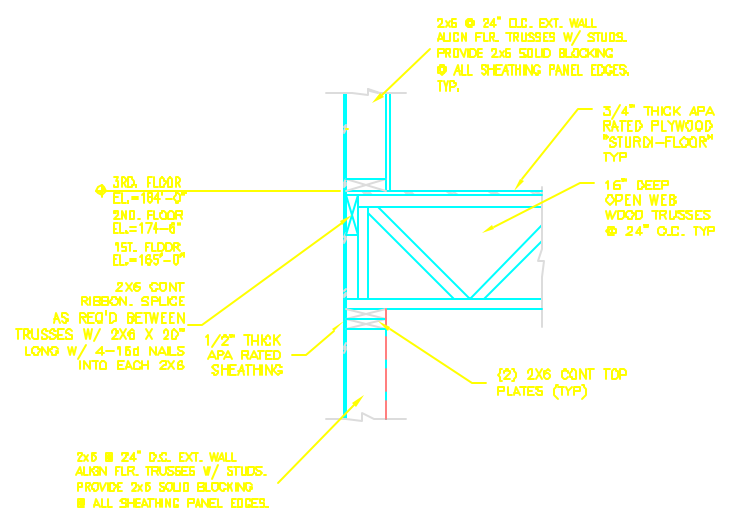
SECTION 3
1"=1'-0" SB



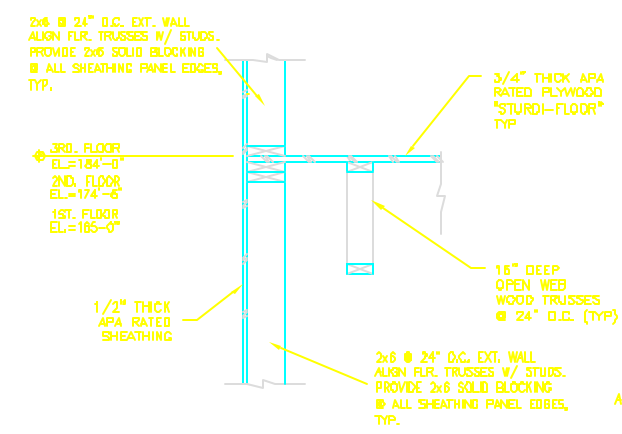
SECTION 4
1"=1'-0" SB



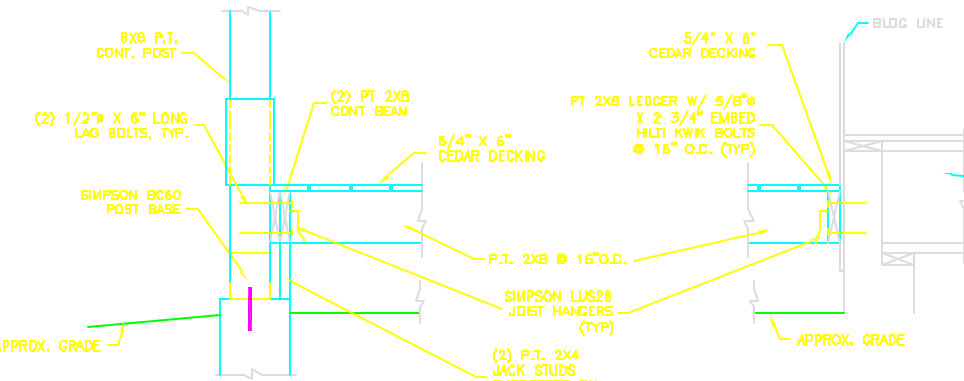
SECTION 5
1"=1'-0" SS, S6, S7



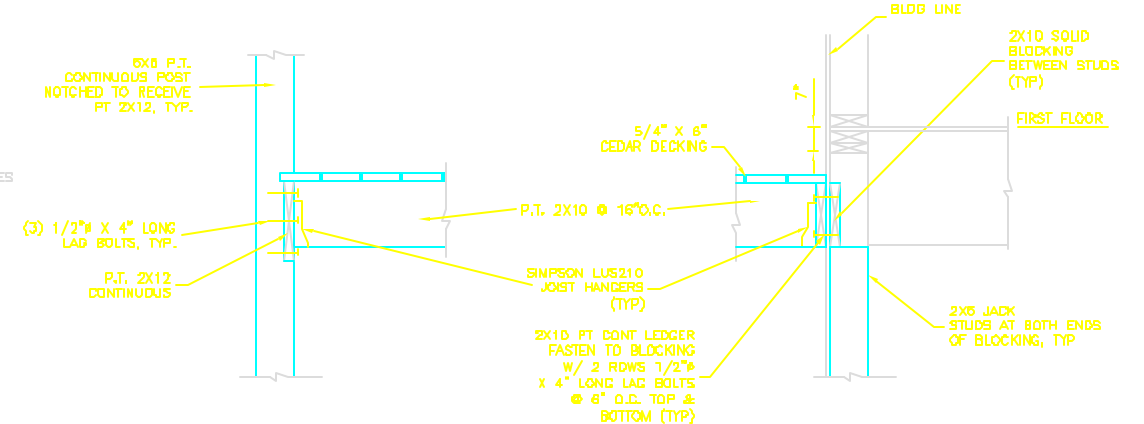
SECTION 6
1"=1'-0" SS, S6, S7



SECTION 7
1"=1'-0" SS, S6, S7



SECTION 8
1/2" = 1'-0" SS



SECTION 9
1/2" = 1'-0" SS

CONSTRUCTION OF THIS PLAN IS BASED ON THE ASSUMPTIONS AND CONDITIONS SET FORTH IN THE SPECIFICATIONS AND THE BIDDING DOCUMENTS. THE CONTRACTOR SHALL BE RESPONSIBLE FOR VERIFYING ALL DIMENSIONS AND CONDITIONS ON THE JOB SITE. THE CONTRACTOR SHALL BE RESPONSIBLE FOR OBTAINING ALL NECESSARY PERMITS AND APPROVALS FROM THE LOCAL AUTHORITIES. THE CONTRACTOR SHALL BE RESPONSIBLE FOR PROTECTING ALL EXISTING UTILITIES AND STRUCTURES. THE CONTRACTOR SHALL BE RESPONSIBLE FOR MAINTAINING ACCESS TO ALL ADJACENT PROPERTIES AND PUBLIC AREAS. THE CONTRACTOR SHALL BE RESPONSIBLE FOR THE PROTECTION AND PRESERVATION OF ALL ENVIRONMENTAL FEATURES AND HISTORIC STRUCTURES. THE CONTRACTOR SHALL BE RESPONSIBLE FOR THE PROTECTION AND PRESERVATION OF ALL NEIGHBORHOOD CHARACTERISTICS AND VALUES. THE CONTRACTOR SHALL BE RESPONSIBLE FOR THE PROTECTION AND PRESERVATION OF ALL PUBLIC UTILITIES AND SERVICES. THE CONTRACTOR SHALL BE RESPONSIBLE FOR THE PROTECTION AND PRESERVATION OF ALL PUBLIC SAFETY AND SECURITY. THE CONTRACTOR SHALL BE RESPONSIBLE FOR THE PROTECTION AND PRESERVATION OF ALL PUBLIC HEALTH AND WELFARE. THE CONTRACTOR SHALL BE RESPONSIBLE FOR THE PROTECTION AND PRESERVATION OF ALL PUBLIC INTERESTS AND RIGHTS. THE CONTRACTOR SHALL BE RESPONSIBLE FOR THE PROTECTION AND PRESERVATION OF ALL PUBLIC ASSETS AND RESOURCES. THE CONTRACTOR SHALL BE RESPONSIBLE FOR THE PROTECTION AND PRESERVATION OF ALL PUBLIC SERVICES AND FACILITIES. THE CONTRACTOR SHALL BE RESPONSIBLE FOR THE PROTECTION AND PRESERVATION OF ALL PUBLIC PROPERTY AND INFRASTRUCTURE. THE CONTRACTOR SHALL BE RESPONSIBLE FOR THE PROTECTION AND PRESERVATION OF ALL PUBLIC LANDS AND RESOURCES. THE CONTRACTOR SHALL BE RESPONSIBLE FOR THE PROTECTION AND PRESERVATION OF ALL PUBLIC OPEN SPACES AND RECREATION AREAS. THE CONTRACTOR SHALL BE RESPONSIBLE FOR THE PROTECTION AND PRESERVATION OF ALL PUBLIC CULTURAL AND HISTORIC RESOURCES. THE CONTRACTOR SHALL BE RESPONSIBLE FOR THE PROTECTION AND PRESERVATION OF ALL PUBLIC ARTS AND CULTURAL ACTIVITIES. THE CONTRACTOR SHALL BE RESPONSIBLE FOR THE PROTECTION AND PRESERVATION OF ALL PUBLIC EDUCATIONAL AND RESEARCH INSTITUTIONS. THE CONTRACTOR SHALL BE RESPONSIBLE FOR THE PROTECTION AND PRESERVATION OF ALL PUBLIC LIBRARIES AND MUSEUMS. THE CONTRACTOR SHALL BE RESPONSIBLE FOR THE PROTECTION AND PRESERVATION OF ALL PUBLIC THEATERS AND CONCERT HALLS. THE CONTRACTOR SHALL BE RESPONSIBLE FOR THE PROTECTION AND PRESERVATION OF ALL PUBLIC GARDENS AND PARKS. THE CONTRACTOR SHALL BE RESPONSIBLE FOR THE PROTECTION AND PRESERVATION OF ALL PUBLIC PLAZAS AND SQUARES. THE CONTRACTOR SHALL BE RESPONSIBLE FOR THE PROTECTION AND PRESERVATION OF ALL PUBLIC BARRIERS AND FENCES. THE CONTRACTOR SHALL BE RESPONSIBLE FOR THE PROTECTION AND PRESERVATION OF ALL PUBLIC SIGNAGE AND MARKINGS. THE CONTRACTOR SHALL BE RESPONSIBLE FOR THE PROTECTION AND PRESERVATION OF ALL PUBLIC LIGHTING AND UTILITIES. THE CONTRACTOR SHALL BE RESPONSIBLE FOR THE PROTECTION AND PRESERVATION OF ALL PUBLIC TRANSPORTATION AND INFRASTRUCTURE. THE CONTRACTOR SHALL BE RESPONSIBLE FOR THE PROTECTION AND PRESERVATION OF ALL PUBLIC WATER AND SEWER SYSTEMS. THE CONTRACTOR SHALL BE RESPONSIBLE FOR THE PROTECTION AND PRESERVATION OF ALL PUBLIC POWER AND TELECOMMUNICATIONS NETWORKS. THE CONTRACTOR SHALL BE RESPONSIBLE FOR THE PROTECTION AND PRESERVATION OF ALL PUBLIC SAFETY AND SECURITY SYSTEMS. THE CONTRACTOR SHALL BE RESPONSIBLE FOR THE PROTECTION AND PRESERVATION OF ALL PUBLIC HEALTH AND WELFARE SERVICES. THE CONTRACTOR SHALL BE RESPONSIBLE FOR THE PROTECTION AND PRESERVATION OF ALL PUBLIC EDUCATIONAL AND RESEARCH INSTITUTIONS. THE CONTRACTOR SHALL BE RESPONSIBLE FOR THE PROTECTION AND PRESERVATION OF ALL PUBLIC LIBRARIES AND MUSEUMS. THE CONTRACTOR SHALL BE RESPONSIBLE FOR THE PROTECTION AND PRESERVATION OF ALL PUBLIC THEATERS AND CONCERT HALLS. THE CONTRACTOR SHALL BE RESPONSIBLE FOR THE PROTECTION AND PRESERVATION OF ALL PUBLIC GARDENS AND PARKS. THE CONTRACTOR SHALL BE RESPONSIBLE FOR THE PROTECTION AND PRESERVATION OF ALL PUBLIC PLAZAS AND SQUARES. THE CONTRACTOR SHALL BE RESPONSIBLE FOR THE PROTECTION AND PRESERVATION OF ALL PUBLIC BARRIERS AND FENCES. THE CONTRACTOR SHALL BE RESPONSIBLE FOR THE PROTECTION AND PRESERVATION OF ALL PUBLIC SIGNAGE AND MARKINGS. THE CONTRACTOR SHALL BE RESPONSIBLE FOR THE PROTECTION AND PRESERVATION OF ALL PUBLIC LIGHTING AND UTILITIES. THE CONTRACTOR SHALL BE RESPONSIBLE FOR THE PROTECTION AND PRESERVATION OF ALL PUBLIC TRANSPORTATION AND INFRASTRUCTURE. THE CONTRACTOR SHALL BE RESPONSIBLE FOR THE PROTECTION AND PRESERVATION OF ALL PUBLIC WATER AND SEWER SYSTEMS. THE CONTRACTOR SHALL BE RESPONSIBLE FOR THE PROTECTION AND PRESERVATION OF ALL PUBLIC POWER AND TELECOMMUNICATIONS NETWORKS. THE CONTRACTOR SHALL BE RESPONSIBLE FOR THE PROTECTION AND PRESERVATION OF ALL PUBLIC SAFETY AND SECURITY SYSTEMS. THE CONTRACTOR SHALL BE RESPONSIBLE FOR THE PROTECTION AND PRESERVATION OF ALL PUBLIC HEALTH AND WELFARE SERVICES.

L & L STRUCTURAL
ENGINEERING SERVICES, INC.
SIX Q. STREET
SOUTH PORTLAND, MAINE 04106
PHONE: (207) 767-4830
FAX: (207) 761-5432
EMAIL: llengineering@verizon.net

OCEAN RIDGE CONDOMINIUMS
852 OCEAN AVENUE
PORTLAND, MAINE
FRAMING SECTIONS AND DETAILS
UNITS 44, 45 & 46

S9