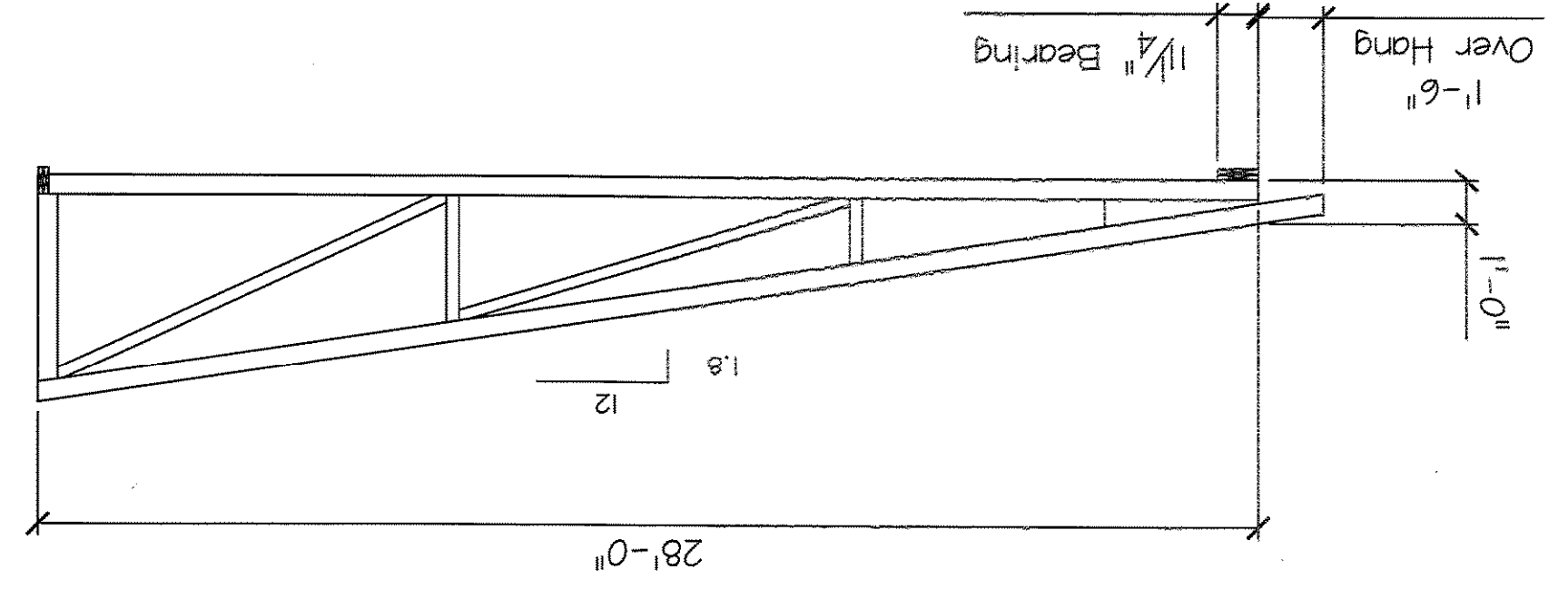


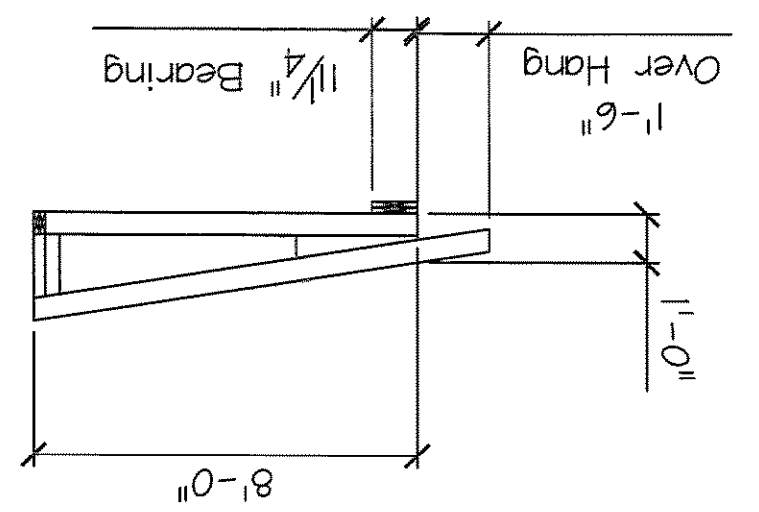
SCALE: as noted	PROJ. NO. 2015-293	S2.1
DATE: 1/15/16	DRAWN BY: BMM	
TITLE: BUILDING SECTIONS		
PROJECT: Moody's Building Addition		
ARCHITECT: MACLEOD		
STRUCTURAL ENGINEERS: PA		
50 Bridge Street, Suite 202		
Westbrook, Maine 04092 207.839.0990		



FOR PERMIT - 2/19/16

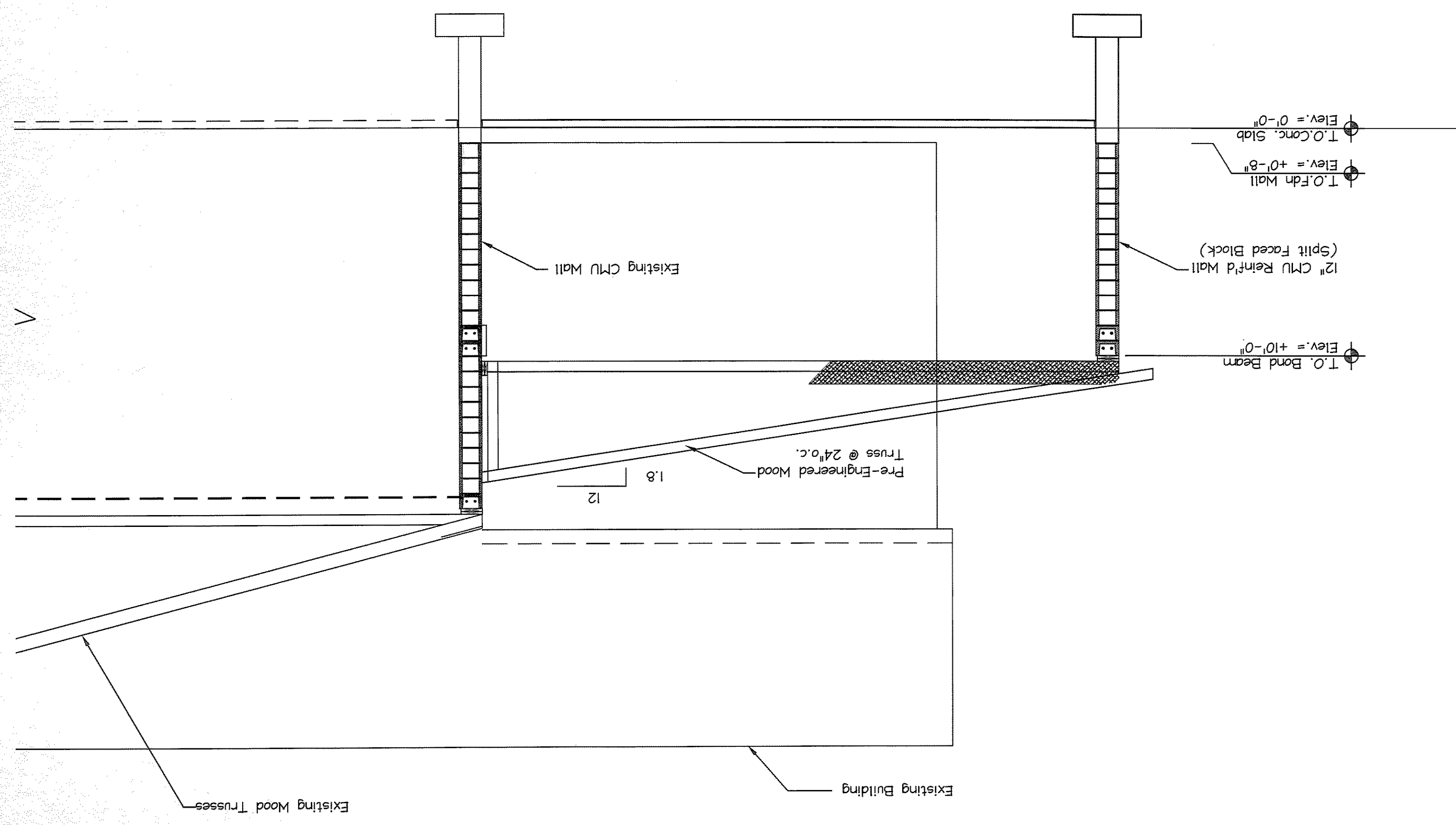


TRUSS PROFILE TYPE T-1
Not To Scale

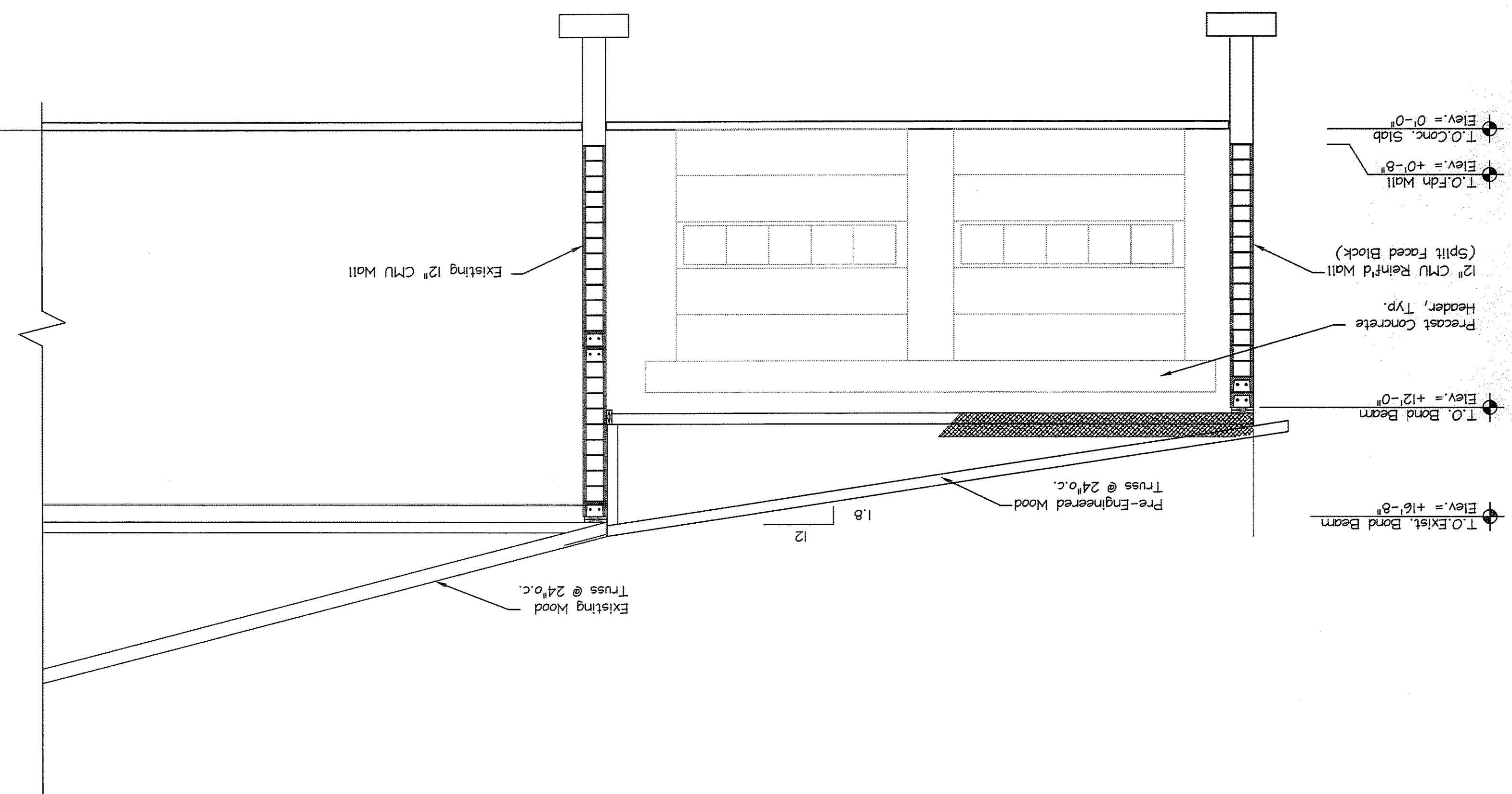


TRUSS PROFILE TYPE T-2
Not To Scale

SECTION 3
Scale: 1/4" = 1'-0"
S2.1



SECTION 1
Scale: 1/4" = 1'-0"
S2.1



SECTION 2
Scale: 1/4" = 1'-0"
S2.1

