

PLANS PREPARED FOR:



PROJECT INFORMATION

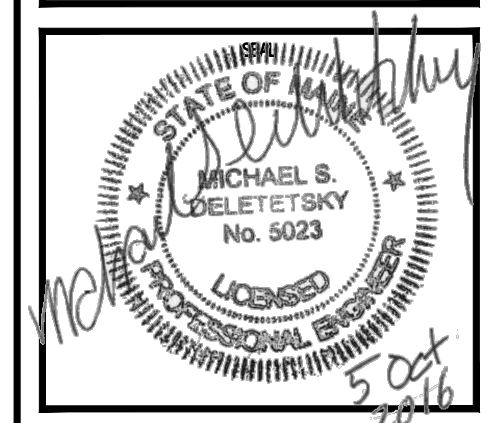
**853337 - NORTH PORTLAND**  
503 PRESUMPCOTT STREET  
PORTLAND, ME 04103  
(CUMBERLAND COUNTY)

PLANS PREPARED BY:



PROJECT COORDINATION & MANAGEMENT:

**KJK Wireless, LLC**  
127 Ridge Road, Nashua, NH 03062  
Phone: (603) 888-8974



REV	DATE	ISSUED FOR
Δ	10/05/16	FOR CONSTRUCTION

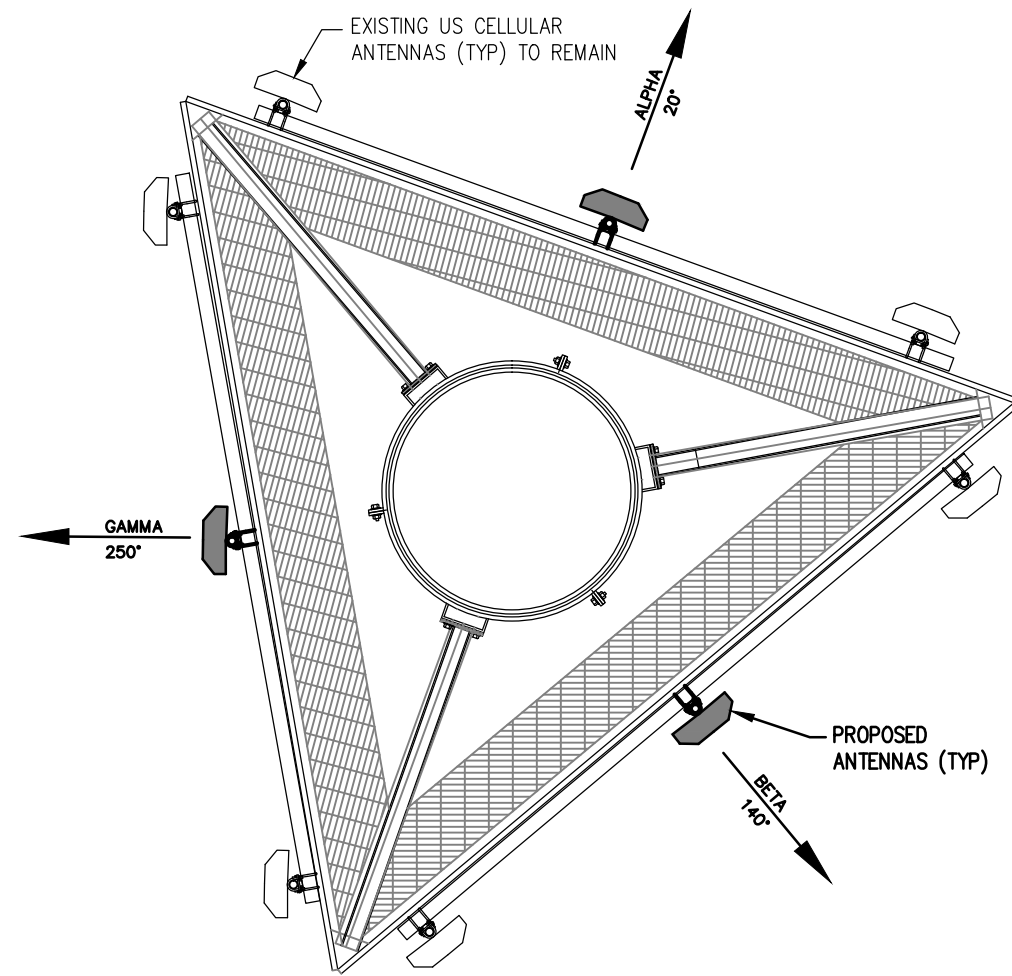
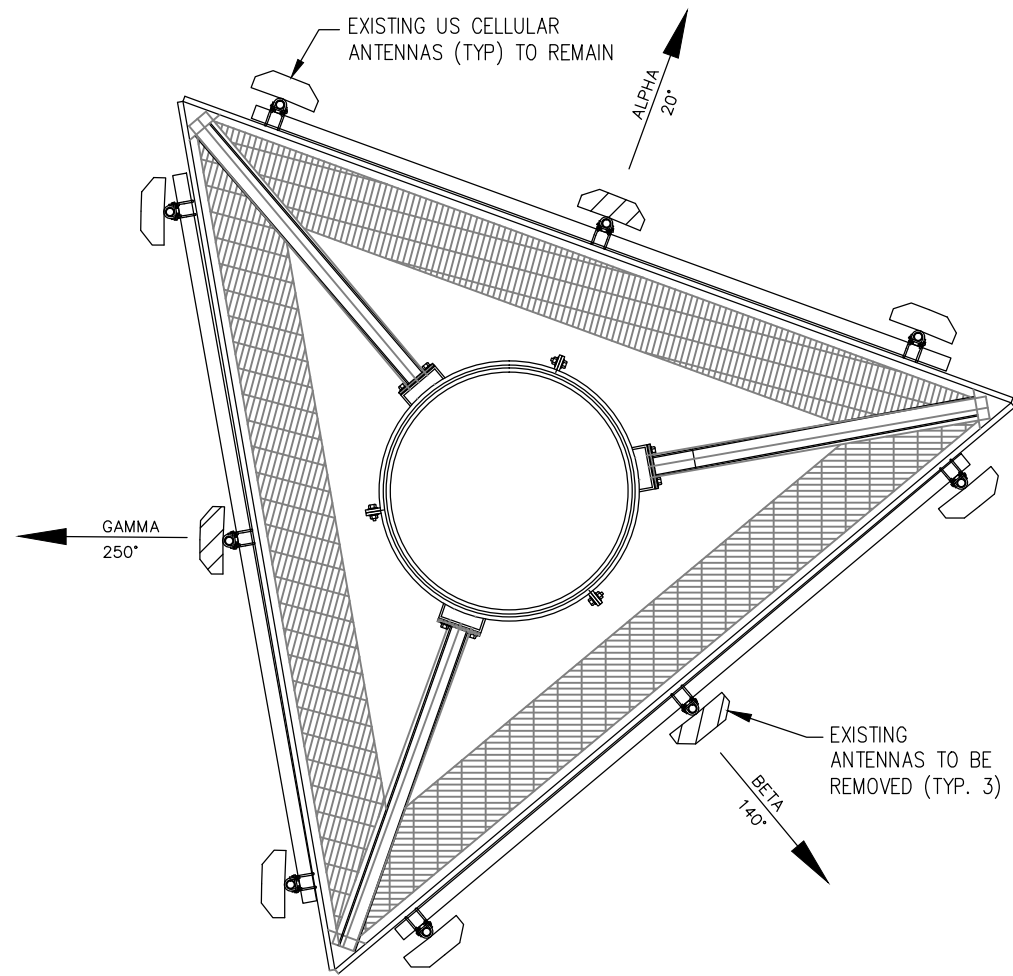
PROJECT NO: 3618168541

DRAWN BY: JMF

RELEASED BY: MSD

SHEET TITLE  
**ANTENNA CONFIGURATION**

SHEET NUMBER: **C-3** REVISION: **0**



**NOTES:**

- ALL ANTENNAS TO BE FURNISHED WITH DOWNTILT BRACKETS. CONTRACTOR TO COORDINATE REQUIRED MECHANICAL DOWNTILT FOR EACH ANTENNA WITH RF ENGINEERS.
- CONTRACTOR SHALL VERIFY SCHEDULE WITH FINAL RF CONFIGURATION SHEET PRIOR TO CONSTRUCTION.
- CONTRACTOR SHALL NOT INSTALL SHRINK WRAP UNTIL AFTER CABLES HAVE BEEN SWEEPED.
- CONTRACTORS SHALL RE-USE EXISTING COAX.
- EXISTING RIU'S SHALL REMAIN.

PROPOSED ANTENNA/FEEDER SCHEDULE

SECTOR	ANTENNA TAG	MANUFACTURER & MODEL #	AZIMUTH	MOUNTING HEIGHT	FEEDER LENGTH	COAX CABLE	HYBRID CABLE	COMBINERS	JUNCTION BOX	RRU
ALPHA	A1	BSA-185065-10CF-2	0°	135'	170'±	(1) 1-5/8"	-	-	-	-
	A2	POWERWAVE P65-17-XL-R				(2) 7/8"	-			
	A3	BSA-185065-10CF-2				(1) 1-5/8"	-			
BETA	B1	BSA-185065-10CF-2	120°	135'	170'±	(1) 1-5/8"	-	-	-	-
	B2	POWERWAVE P65-17-XL-R				(2) 7/8"	-			
	B3	BSA-185065-10CF-2				(1) 1-5/8"	-			
GAMMA	G1	BSA-185065-10CF-2	250°	135'	170'±	(1) 1-5/8"	-	-	-	-
	G2	POWERWAVE P65-17-XL-R				(2) 7/8"	-			
	G3	BSA-185065-10CF-2				(1) 1-5/8"	-			
						(6) 1-5/8"	-	-	-	-
						(6) 7/8"	-	-	-	-

PROPOSED ANTENNA/FEEDER SCHEDULE

SECTOR	ANTENNA TAG	MANUFACTURER & MODEL #	AZIMUTH	MOUNTING HEIGHT	FEEDER LENGTH	COAX CABLE	HYBRID CABLE	COMBINERS	JUNCTION BOX	RRU
ALPHA	A1	BSA-185065-10CF-2	0°	135'	170'±	(1) 1-5/8"	-	-	-	-
	A2	AM-X-CD-17-65-00T-RET				(2) 7/8"	-			
	A3	BSA-185065-10CF-2				(1) 1-5/8"	-			
BETA	B1	BSA-185065-10CF-2	120°	135'	170'±	(1) 1-5/8"	-	-	-	-
	B2	AM-X-CD-17-65-00T-RET				(2) 7/8"	-			
	B3	BSA-185065-10CF-2				(1) 1-5/8"	-			
GAMMA	G1	BSA-185065-10CF-2	250°	135'	170'±	(1) 1-5/8"	-	-	-	-
	G2	AM-X-CD-17-65-00T-RET				(2) 7/8"	-			
	G3	BSA-185065-10CF-2				(1) 1-5/8"	-			
						(6) 1-5/8"	-	-	-	-
						(6) 7/8"	-	-	-	-

**EXISTING CONFIGURATION • 135**  
SCALE: N.T.S.

**PROPOSED CONFIGURATION • 135 FT**  
SCALE: N.T.S.