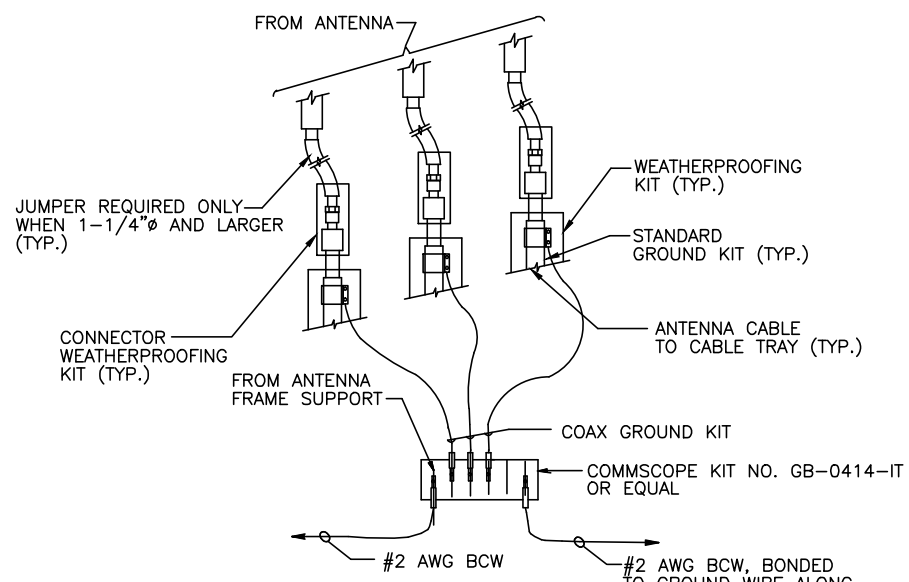
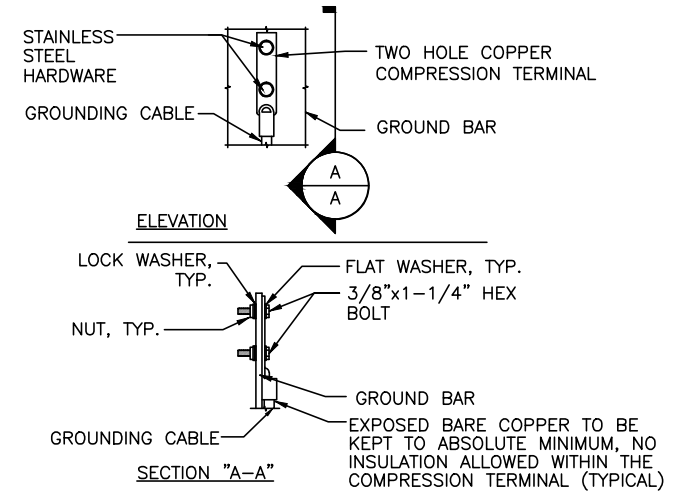


**GROUNDING RISER DIAGRAM** 1  
SCALE: N.T.S. G-1



**NOTE:**  
1. DO NOT INSTALL CABLE GROUND KIT AT A BEND AND ALWAYS DIRECT GROUND WIRE DOWN TO CIGBE.

**GROUND WIRE TO GROUND BAR CONNECTION DETAIL** 2  
SCALE: N.T.S. G-1



**NOTE:**  
1. "DOUBLING UP" OR "STACKING" OF CONNECTION IS NOT PERMITTED.  
2. OXIDE INHIBITING COMPOUND TO BE USED AT ALL LOCATION.  
3. CADWELD DOWNLEADS FROM UPPER EGB, LOWER EGB, AND MGB

**TYPICAL GROUND BAR CONNECTION DETAIL** 3  
SCALE: N.T.S. G-1

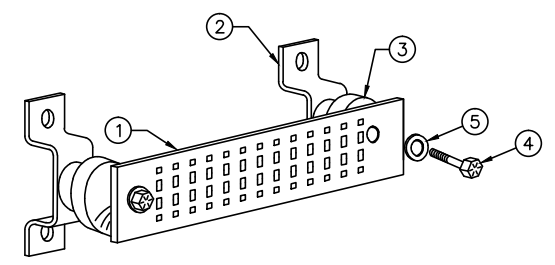
EACH GROUND CONDUCTOR TERMINATING ON ANY GROUND BAR SHALL HAVE AN IDENTIFICATION TAG ATTACHED AT EACH END THAT WILL IDENTIFY ITS ORIGIN AND DESTINATION.

**SECTION "P" - SURGE PRODUCERS**

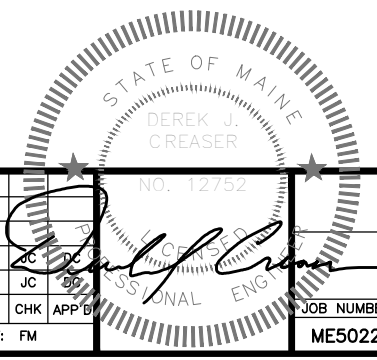
- CABLE ENTRY PORTS (HATCH PLATES) (#2)
- GENERATOR FRAMEWORK (IF AVAILABLE) (#2)
- TELCO GROUND BAR
- COMMERCIAL POWER COMMON NEUTRAL/GROUND BOND (#2)
- +24V POWER SUPPLY RETURN BAR (#2)
- 48V POWER SUPPLY RETURN BAR (#2)
- RECTIFIER FRAMES.

**SECTION "A" - SURGE ABSORBERS**

- INTERIOR GROUND RING (#2)
- EXTERNAL EARTH GROUND FIELD (BURIED GROUND RING) (#2)
- METALLIC COLD WATER PIPE (IF AVAILABLE) (#2)
- BUILDING STEEL (IF AVAILABLE) (#2)



**GROUND BAR - DETAIL** 4  
SCALE: N.T.S. G-1



**Hudson Design Group**  
1600 OSGOOD STREET  
BUILDING 20 NORTH, SUITE 3090  
N. ANDOVER, MA 01845  
TEL: (978) 557-5553  
FAX: (978) 336-5586

**EMPIRE telecom**  
16 ESQUIRE ROAD  
BILLERICA, MA 01862  
TEL: (978) 608-8400

**SITE NUMBER: ME5022**  
**SITE NAME: EAST DEERING**  
  
517 PRESUMPCOT STREET  
PORTLAND, ME 04103  
CUMBERLAND COUNTY

**at&t**  
550 COCHITUATE ROAD  
FRAMINGHAM, MA 01701

1		10/05/16	ISSUED FOR CONSTRUCTION	SO	JC	DC		AT&T GROUNDING DETAILS (LTE 3C)
0		09/23/16	ISSUED FOR REVIEW	FM	JC	DC		
NO.	DATE	REVISIONS		BY	CHK	APP'D		
SCALE: AS SHOWN				DESIGNED BY: JC	DRAWN BY: FM			
							JOB NUMBER	
							ME5022	
							DRAWING NUMBER	
							G-1	
							REV	
							1	