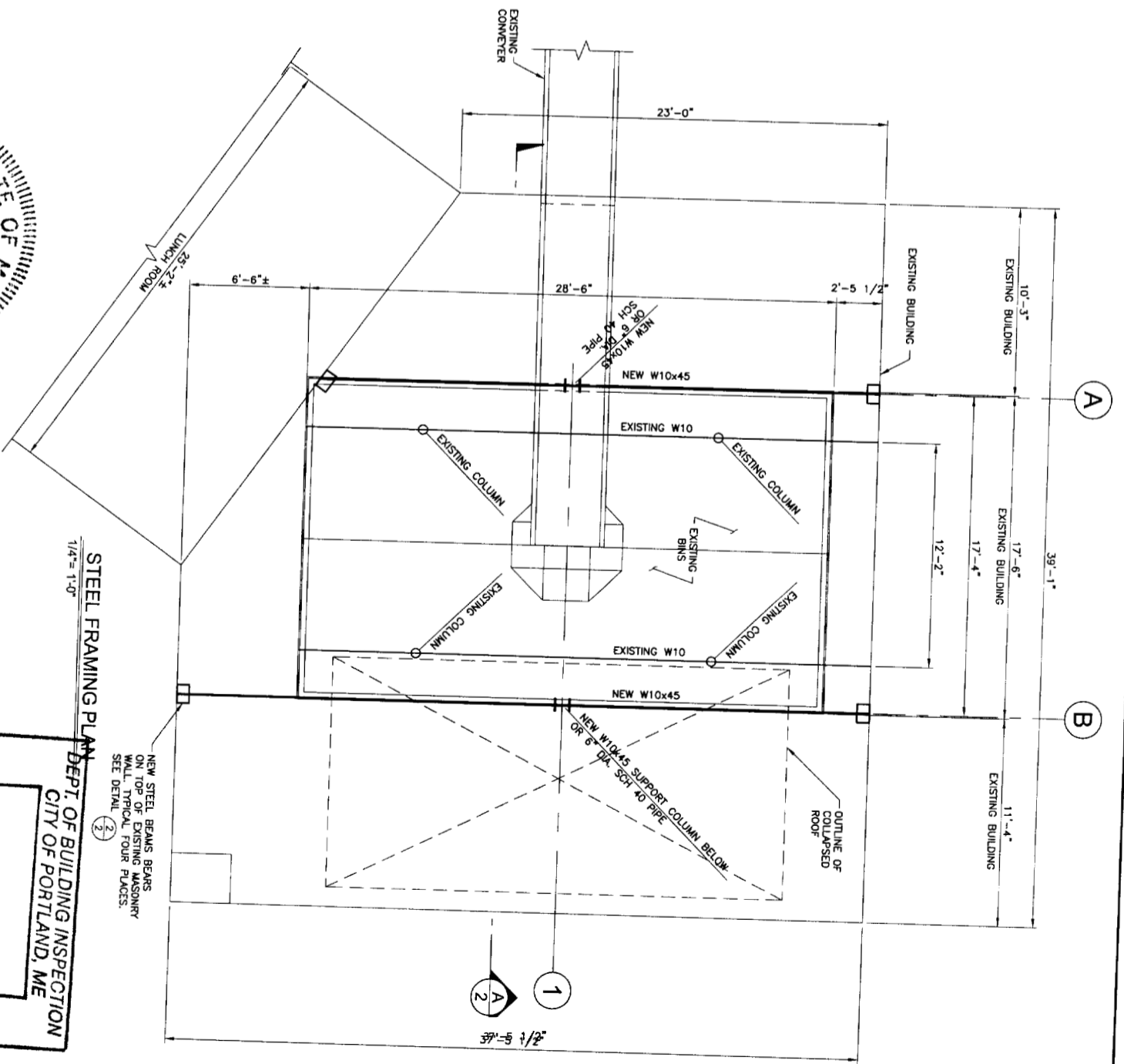
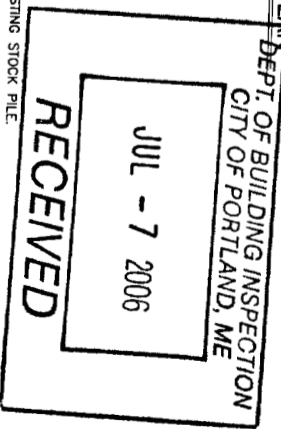
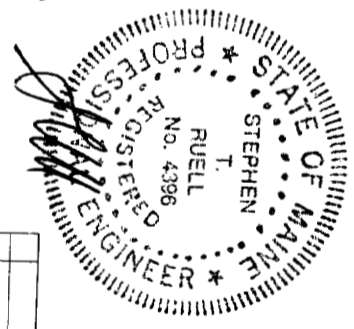


**NEW FRAMING PLAN**  
 1/4" = 1'-0"  
 NOTE:  
 ALL FRAMING SHALL BE 2x10 @ 16" O.C.  
 EASTERN SPRUCE NO.2 GRADE

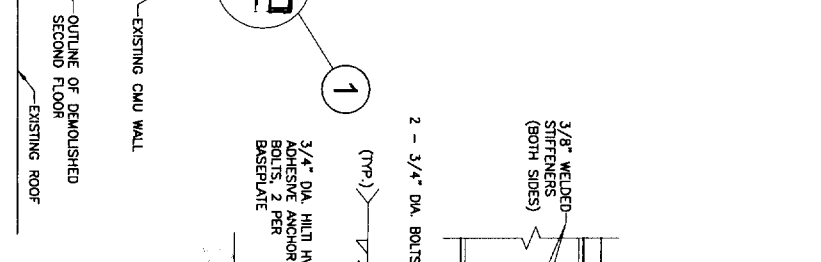
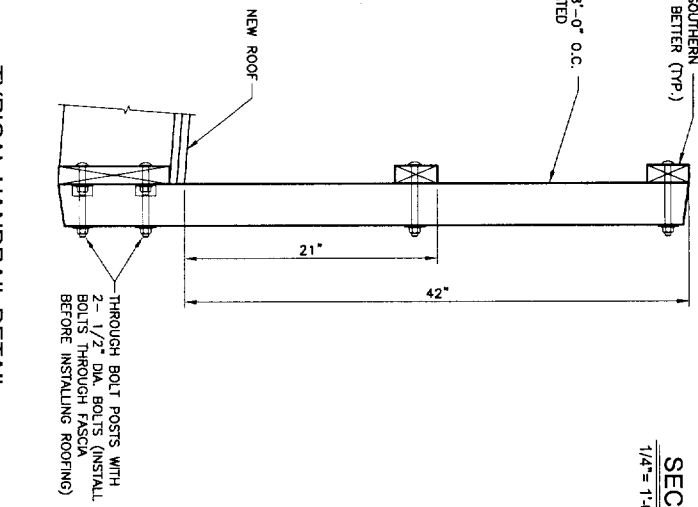
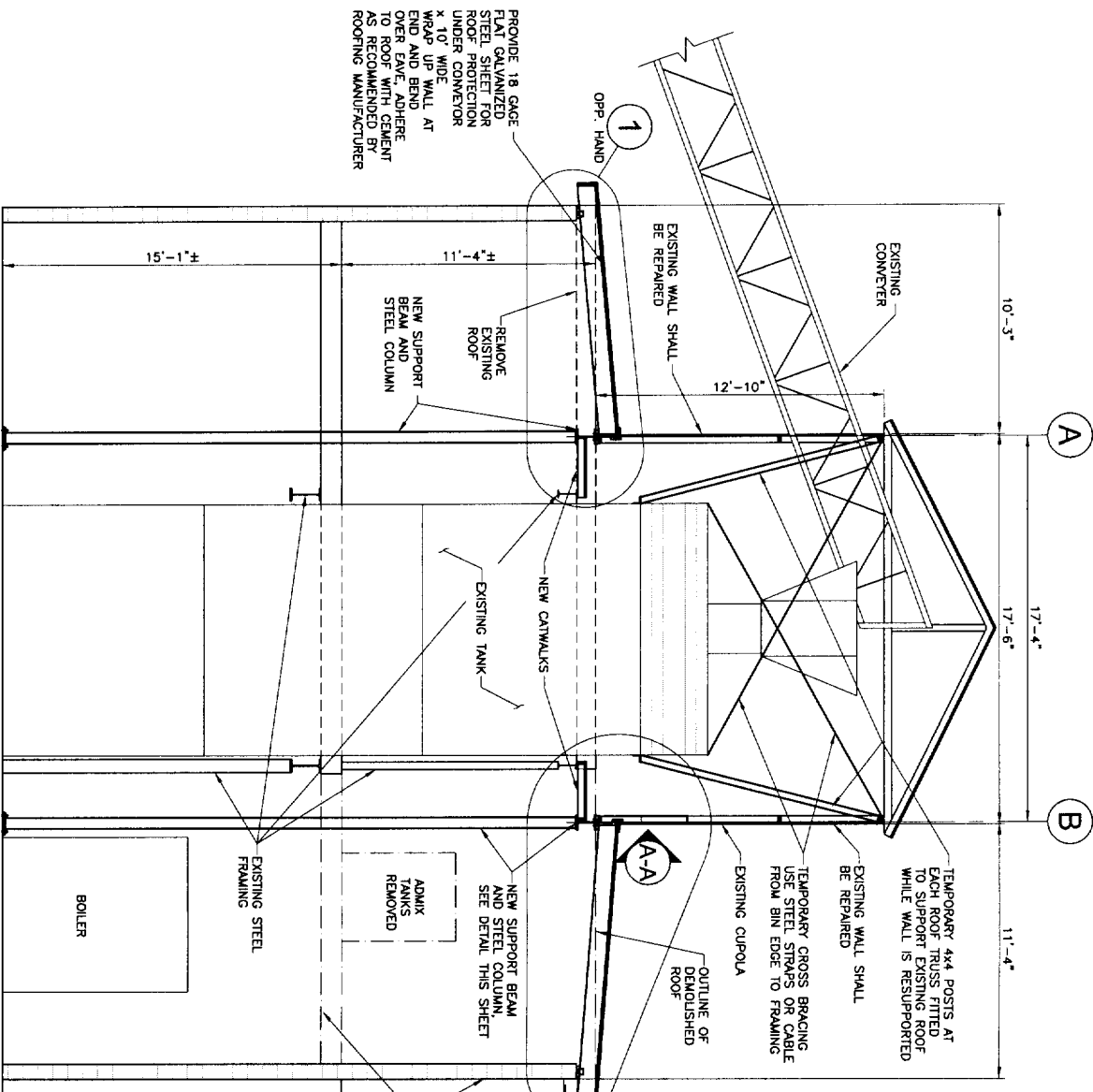


**STEEL FRAMING PLAN**  
 1/4" = 1'-0"  
 NOTE:  
 1. USE STEEL BEAMS 10x45 FROM DRAGON'S EXISTING STOCK PILE  
 2. TOP OF STEEL ELEVATION MUST BE SET BY ELEVATION OF EXISTING MASONRY WALL  
 3. DIMENSIONS MUST BE FIELD VERIFIED PRIOR TO CUTTING STEEL. DO NOT RELY ON THESE DIMENSIONS WITHOUT VERIFICATION.

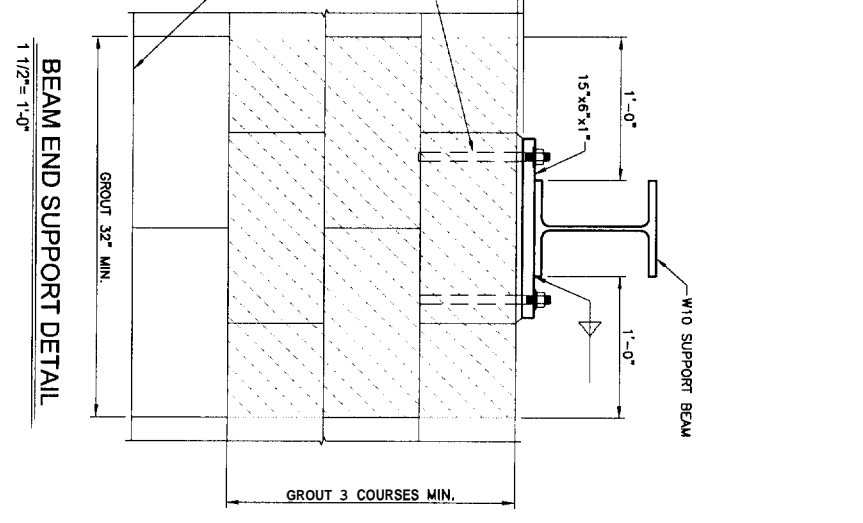
060976  
 41544



No.	Revision	REVIEW AND COMMENT	Date	Checked By	STR	Drawn By	PJ
			5-01-06				
				Date Revised	5-01-06		
Scale: AS SHOWN Project No: 343-020 Architect Release: 2005 Framing: 34300 SHF 142.dwg Design By: STR Drawn By: PJ							
DRAGON PRODUCTS COMPANY, INC. PORTLAND, MAINE PORTLAND BATCH PLANT ROOF REPAIRS PLAN VIEWS							
<b>Kleinschmidt</b> 53 Main St. 3rd Fl. 372 Portland, Maine 04109 Telephone: (207) 487-3128 Fax: (207) 487-3124 www.kleinschmidtusa.com							
							1

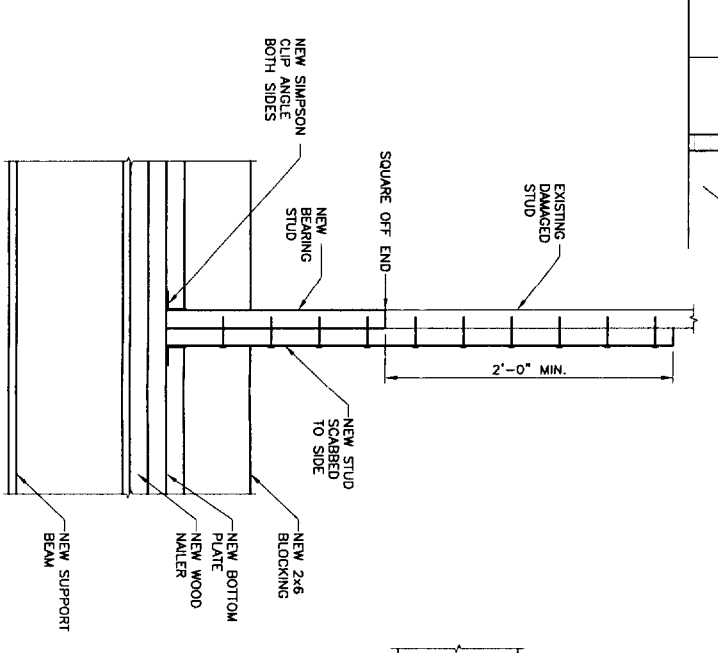


SUPPORT BEAM & COLUMN DETAIL 2  
1/12" = 1'-0"

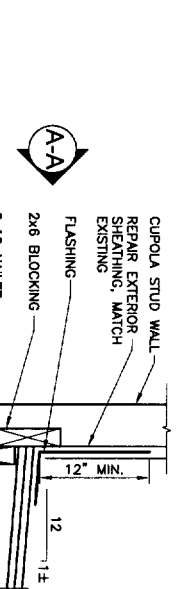


BEAM END SUPPORT DETAIL  
1/12" = 1'-0"

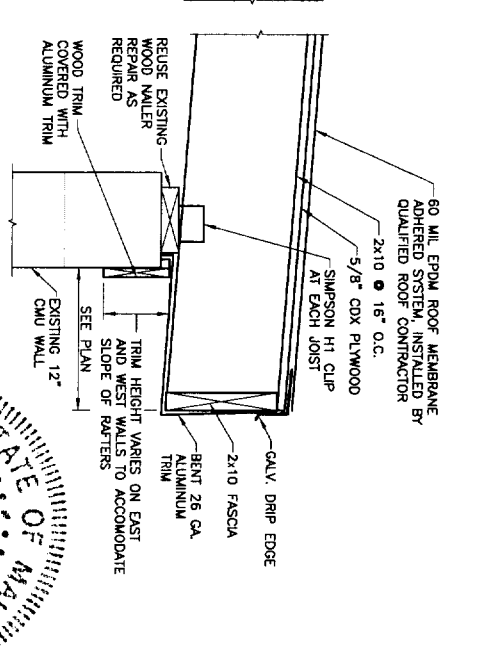
SECTION A  
1/4" = 1'-0"



SECTION V  
1/1" = 1'-0"



DETAIL 1  
1/12" = 1'-0"



DETAIL 2  
1/12" = 1'-0"

SECTIONS AND DETAILS	
REVIEW AND COMMENT	5-01-06
Drawn By	PJ
Checked By	STR
Design By	STR
Designer	Michael J. Stratton
Permitted	2005
American National	2005
Project No.	343-020
Scale	AS SHOWN
DRAGON PRODUCTS COMPANY, INC.	PORTLAND, MAINE
PORTLAND BATCH PLANT	ROOF REPAIRS
T. STEPHEN RUELL PROFESSIONAL ENGINEER No. 43936 STATE OF MAINE	

3 Main St. P.O. Box 376  
Plymouth, Maine 04967  
Telephone: (207) 447-3128  
Fax: (207) 447-3124

KLAINSCHMIDT  
Founders & Builders Restorations Consultants