

Strengthening a Remarkable City. Building a Community for Life • www.portlandmaine.gov

Tammy Munson
Director, Inspections Division

Jeff Levine, AICP, Director
Director of Planning and Urban Development

Electronic Signature and Fee Payment Confirmation

Notice: Your electronic signature is considered a legal signature per state law.

By digitally signing the attached document(s), you are signifying your understanding this is a legal document and your electronic signature is considered a *legal signature* per Maine state law. You are also signifying your intent on paying your fees by the opportunities below.

I, the undersigned, intend and acknowledge that no permit application can be reviewed until payment of appropriate permit fees are *paid in full* to the Inspections Office, City of Portland Maine by method noted below:

Within 24-48 hours, upon receipt of an e-mailed invoice from Building Inspections, which signifies that my electronic permit application and corresponding paperwork have been received, determined complete, entered by an administrative representative, and assigned a permit number, I then have the following four (4) payment options:

- to provide an on-line electronic check or credit/debit card (we now accept American Express, Discover, VISA, and MasterCard) payment (along with applicable fees beginning July 1, 2014),
- call the Inspections Office at (207) 874-8703 and speak to an administrative representative to provide a credit/debit card payment over the phone,
- hand-deliver a payment method to the Inspections Office, Room 315, Portland City Hall,
- or deliver a payment method through the U.S. Postal Service, at the following address:

City of Portland
Inspections Division
389 Congress Street, Room 315
Portland, Maine 04101

Once my payment has been received, this then starts the review process of my permit. *After all approvals have been met and completed, I will then be issued my permit via e-mail.* No work shall be started until I have received my permit.

Applicant Signature: 

Date: 5/1/14

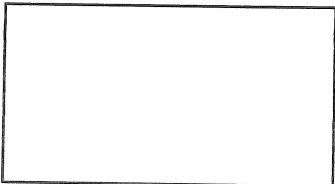
I have provided digital copies and sent them on: _____
Date: _____

NOTE: All electronic paperwork must be delivered to buildinginspections@portlandmaine.gov or by physical means ie; a thumb drive or CD to the office.



Application for Heating, Ventilation, Air Condition (HVAC) Cooking or Power Equipment

FILL IN AND SIGN WITH INK



To the Inspector of Buildings, Portland Maine:

The undersigned hereby applies for a permit to install the following HVAC, cooking or power equipment in accordance with the Laws of Maine, the Building Code of the City of Portland, and the following specifications:

Address/CBL: 1069 Ocean Ave., Portland Use of Building: Residential Date: _____

Name and Address of Owner: Richmond Properties, LLC, 30 Lehighway Drive, Falmouth, Me. 04105 E-Mail: Owner: ocp@rmpinc.com

Phone Number Owner: (207) 450-7890

Name and Address of Installer: Cr B Heating & Cooling Inc P.O. Box 8376 Portland Me 04103 E-Mail: Installer: C Bieber @ maine-ar.com

Phone Number Installer: 207 831-0715

Location of Appliance: <input checked="" type="checkbox"/> Basement <input type="checkbox"/> Floor <input type="checkbox"/> Roof <input type="checkbox"/> Attic	Type of Fuel: <input checked="" type="checkbox"/> Gas <input type="checkbox"/> Oil <input type="checkbox"/> Solid	Appliance Name: <u>Wessmann Vitodens 102</u> UL Approved: <input checked="" type="checkbox"/> Yes <input type="checkbox"/> No	Will appliance be installed in accordance with the manufacturer's installation instructions? <input checked="" type="checkbox"/> Yes <input type="checkbox"/> No	Type of License of Installer: Master Plumber #: _____ Solid Fuel #: _____ Oil #: _____ Gas #: <u>PNT 1310</u> Other: _____
Type of Venting: (Plan required for submittal) <input type="checkbox"/> Masonry Lined <input type="checkbox"/> Factory Built <input type="checkbox"/> Metal <input type="checkbox"/> Factory Built UL Listing: _____ <input checked="" type="checkbox"/> Direct Vent Type: _____ UL #: _____	# of Tanks: _____ Type of Fuel Tank: <input checked="" type="checkbox"/> Gas <input type="checkbox"/> Oil	Size of Tank: _____ Distance from tank to center of flame: <u>20'</u>	Cost of Work: \$ <u>8,000.-</u> Permit Fee: \$ _____	Signature of Installer: <u>Chantal C Bie</u> E-Mail: <u>C Bieber @ maine-ar.com</u>

HVAC / Power Equipment Checklist



All of the following information is required and must be submitted. Checking off each item as you prepare your application package will ensure your package is complete and will help to expedite the permitting process.

- A floor plan that includes structural details, size and dimensions of the floor the equipment is going to be installed.
- Information on how the unit is being vented & hanging details if appropriate.
- Details of the specific equipment being installed; ie; specifications and any heating technical specifications. Often this information can be obtained from the manufacturer's spec sheet or retail advertisements.
- A plot plan showing the shape and dimension of the lot, with the distance from the actual property lines, and the principal structure.
- Proof of ownership is required if it is inconsistent with the assessors records.

All HVAC installations must be conducted in compliance with the IRC 2009 Building Code

Separate permits are required for plumbing and electrical installations, as required.

Separate permits are also required based on different properties (different Chart, Block and Lot.)

Permit Fee: \$25.00 for the first \$1000.00 construction cost, \$11.00 per additional \$1000.00 cost

This is not a Permit; you may not commence any work until the Permit is issued.

climate of innovation®

VISSMANN®

Viessmann Manufacturing
Company Inc.
Waterloo, ON Canada
1-800-387-7373
www.viessmann.ca

Viessmann Manufacturing
Company (U.S.) Inc.
Warwick, RI U.S.A.
1-800-288-0667
www.viessmann.us

Technical Data

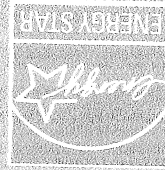
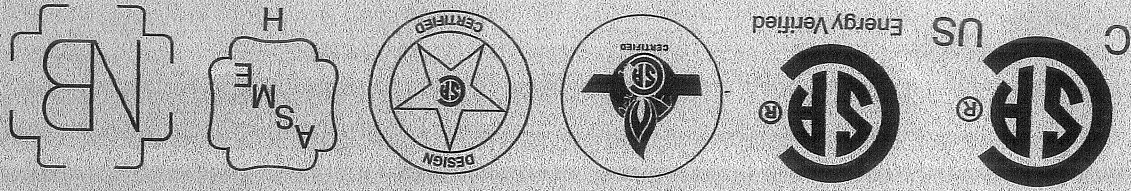
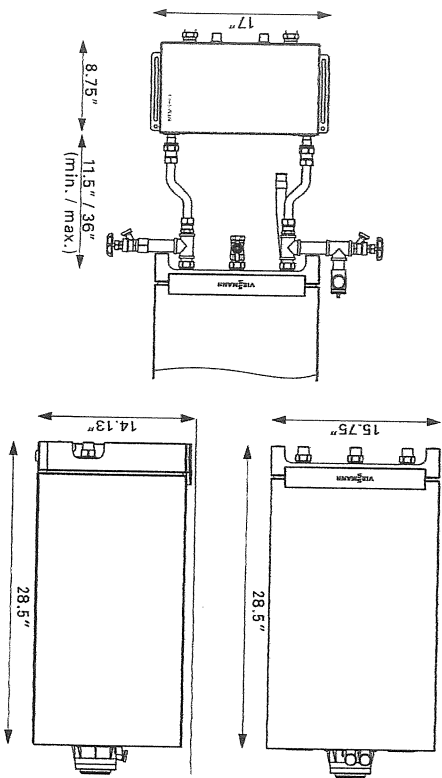
Vitodens 100-W, WB1B wall-mounted condensing boiler

Model	WB1B	26	35
Rated input	MBH	37 - 91	37 - 118
Efficiency	% AFUE	94%	94%
Altitude Levels	ft.	up to 10,000 ft.	up to 10,000 ft.
Dimensions (inches)	Depth	14.13	14.13
	Width	15.75	15.75
	Height	28.5	28.5
	Weight	78	78

Optional CombiPLUS Kit for on-demand DHW

Connected to Model	WB1B	26	35
DHW Supply Temperature	°F / °C	140 / 60	140 / 60
Continuous Draw Rate	USG/h	156†	216†
Dimensions (inches)	Depth	9.88	9.88
	Width	17	17
	Height	8.75	8.75
	Weight	25	25
Min. / Max. distance between boiler and CombiPLUS Kit	Inches	11.5 / 36	11.5 / 36

† At 63 °F maximum temperature use.



Technical information subject to change without notice.
5603 849 v1.5 10/13 Printed in Canada