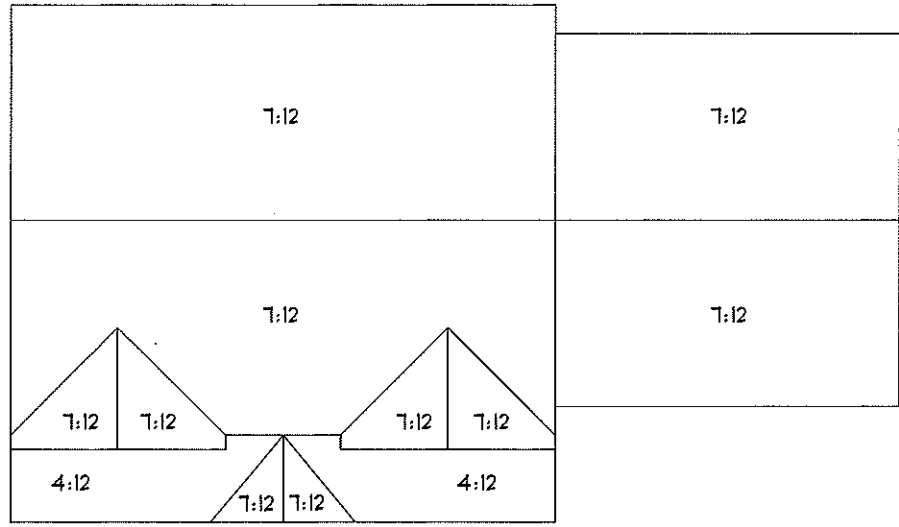
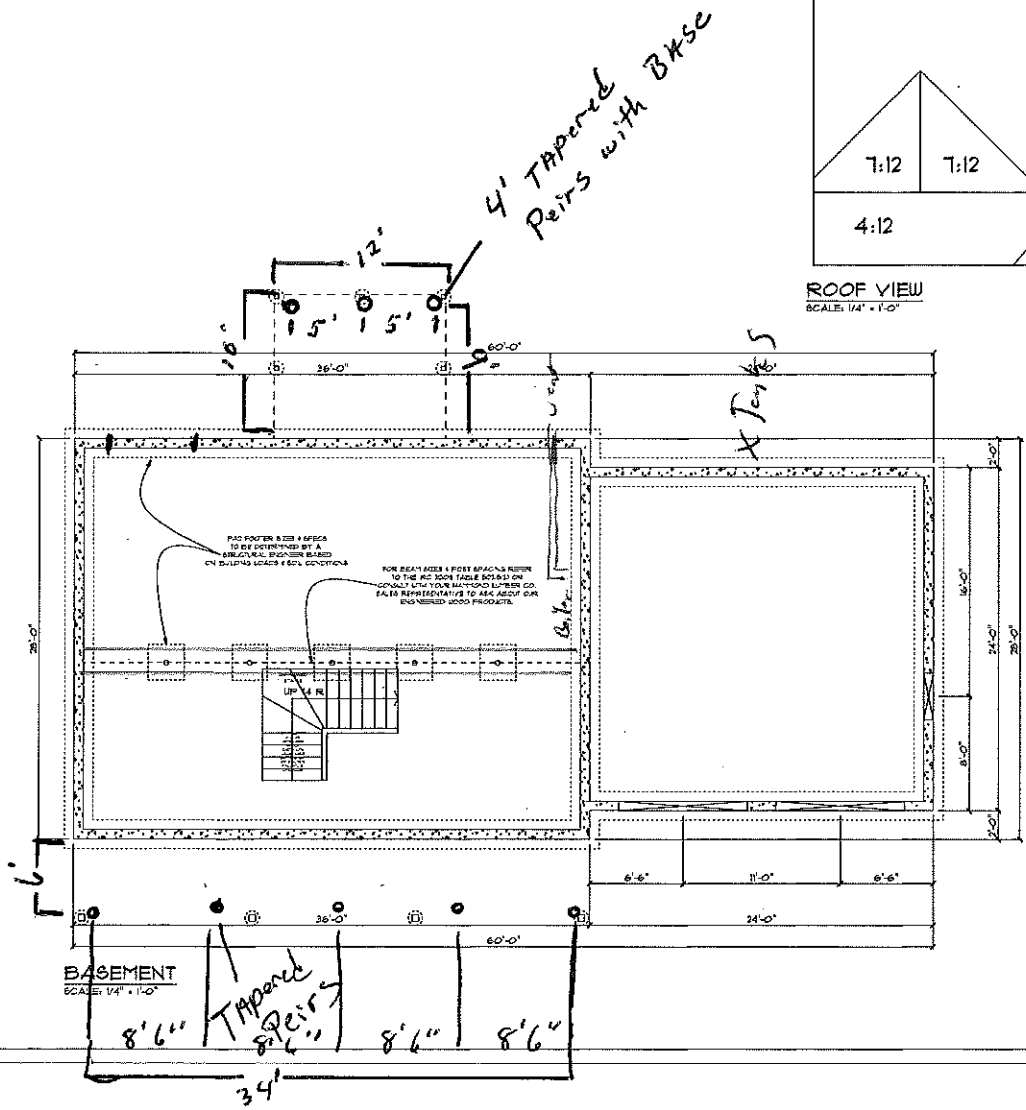


**PRELIMINARY DRAWING
NOT FOR CONSTRUCTION**



ROOF VIEW
SCALE: 1/4" = 1'-0"



BASEMENT
SCALE: 1/4" = 1'-0"

Hammond Lumber Company
Type 1-888-44-HAMMOND
www.hammond.com
10000 10th Street, Denver, CO 80231

THIS DRAWING IS THE PROPERTY OF HAMMOND LUMBER COMPANY. IT IS TO BE USED ONLY FOR THE PROJECT AND SITE SPECIFICALLY IDENTIFIED HEREON. IT IS NOT TO BE REPRODUCED, COPIED, OR TRANSMITTED IN ANY FORM OR BY ANY MEANS, ELECTRONIC OR MECHANICAL, INCLUDING PHOTOCOPYING, RECORDING, OR BY ANY INFORMATION STORAGE AND RETRIEVAL SYSTEM. WITHOUT THE WRITTEN PERMISSION OF HAMMOND LUMBER COMPANY. ANY VIOLATION OF THESE TERMS SHALL BE CONSIDERED A BREACH OF CONTRACT AND SUBJECT TO LITIGATION. © 2018 HAMMOND LUMBER COMPANY

Project Name	2518-064
Project Number	2
Scale	1/4" = 1'-0"
Date	JUN 2018
Drawn By	Laura Gervais
Checked By	Brandon Gervais

BRANDON & LAURA GERVAYS
GERVAYS RESIDENCE | 20 X 36 2 STORY

