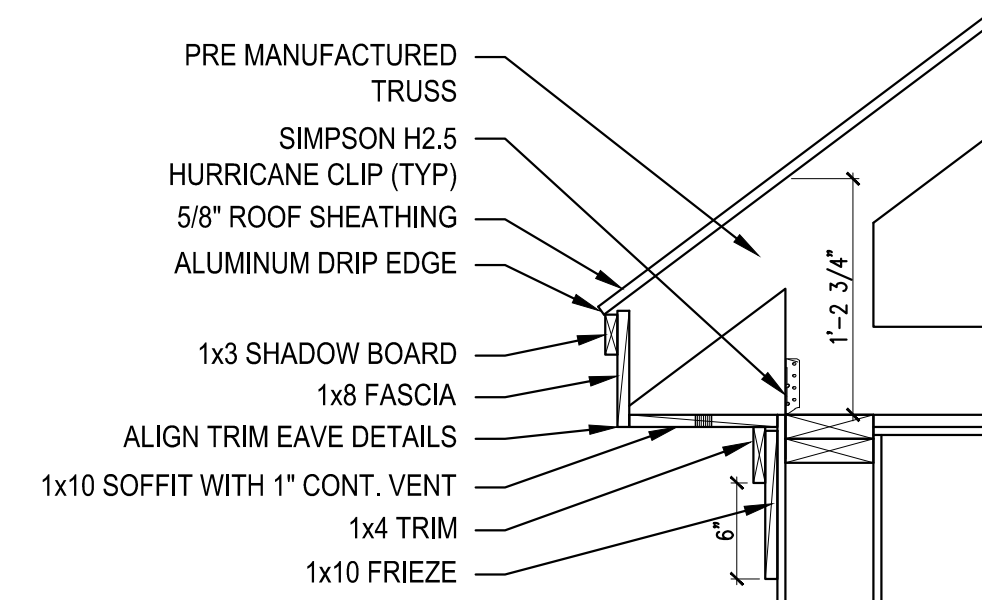
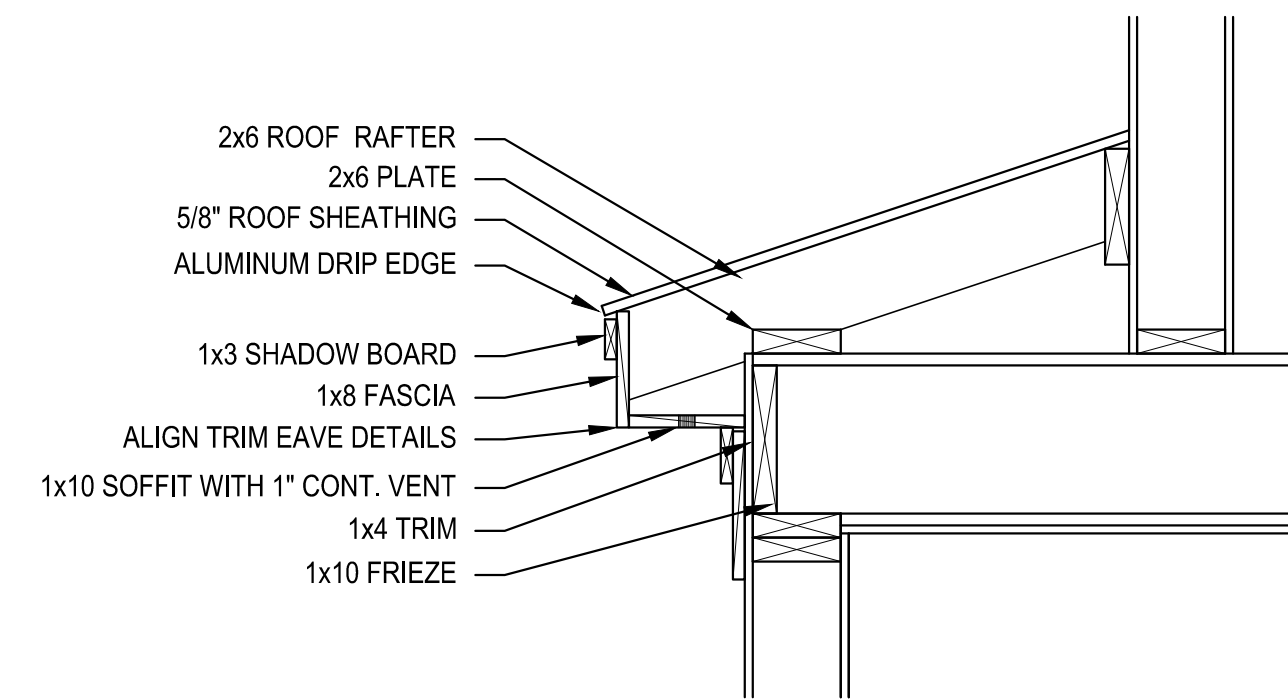


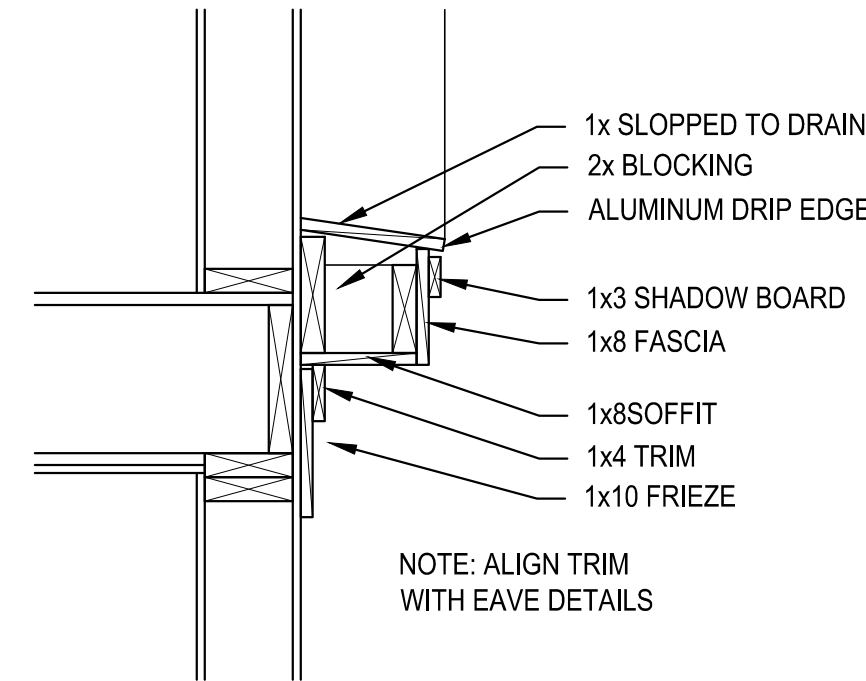
2 | RAKE DETAIL
SCALE: 1"=1'-0"



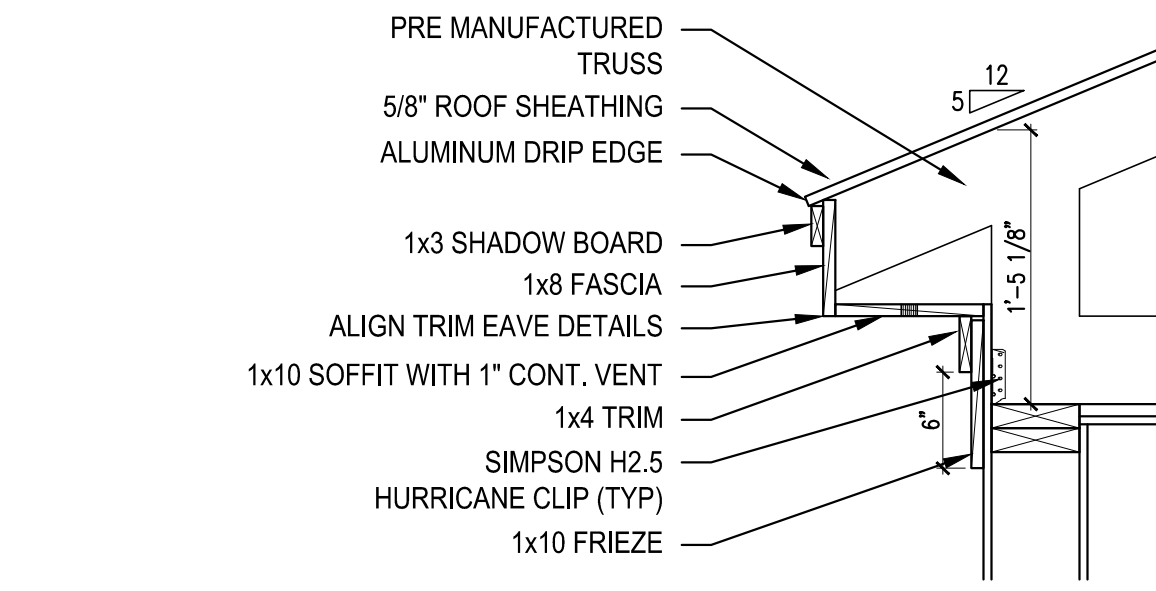
3 | EAVE DETAIL AT MAIN HOUSE
SCALE: 1"=1'-0"



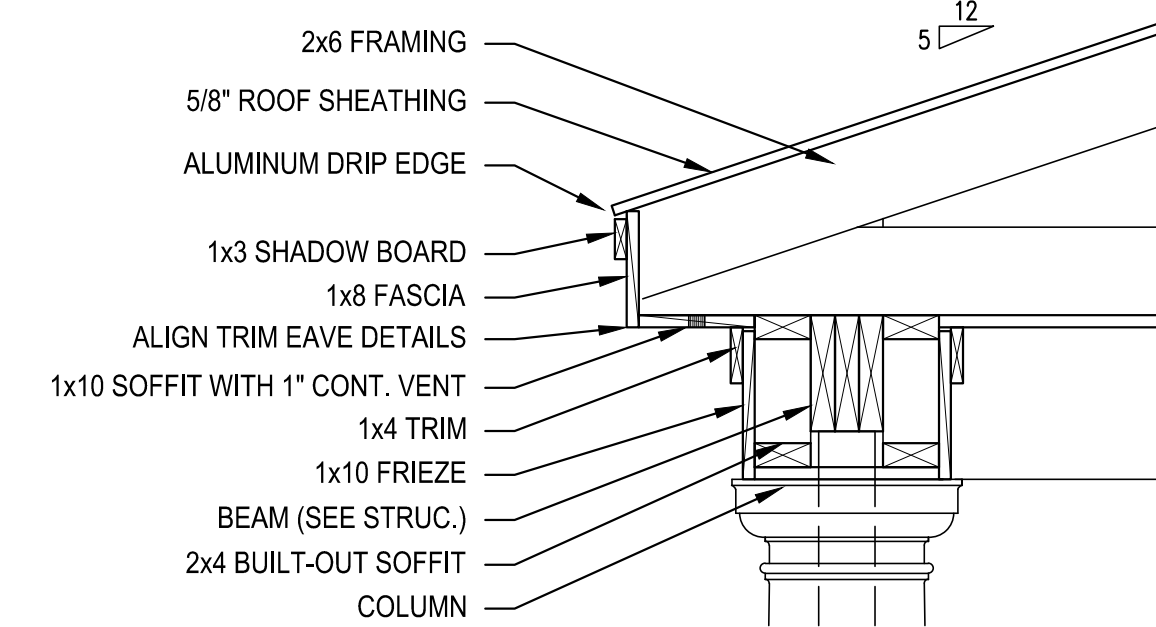
4 | EAVE DETAIL AT LIVING ROOM BUMP OUT
SCALE: 1"=1'-0"



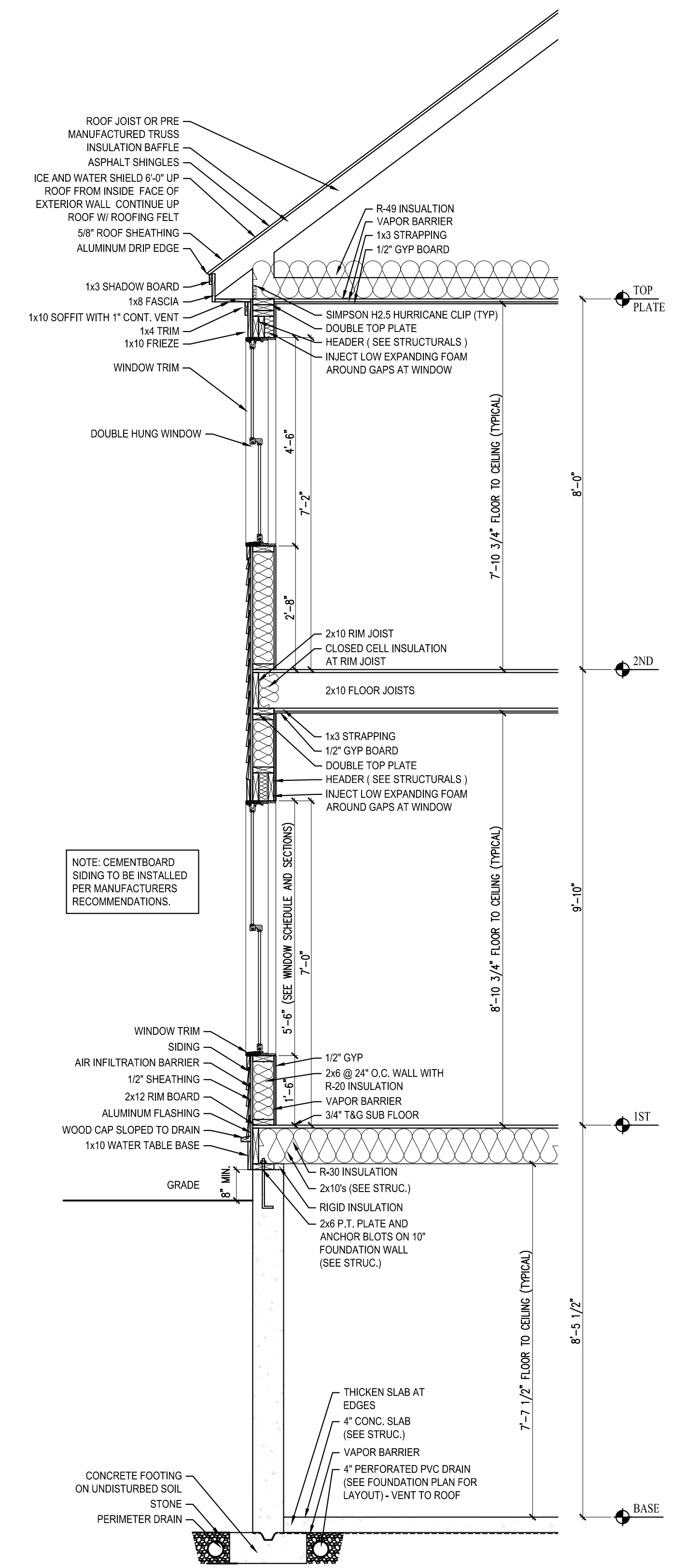
5 | EAVE WRAP AROUND AT GABLE END
SCALE: 1"=1'-0"



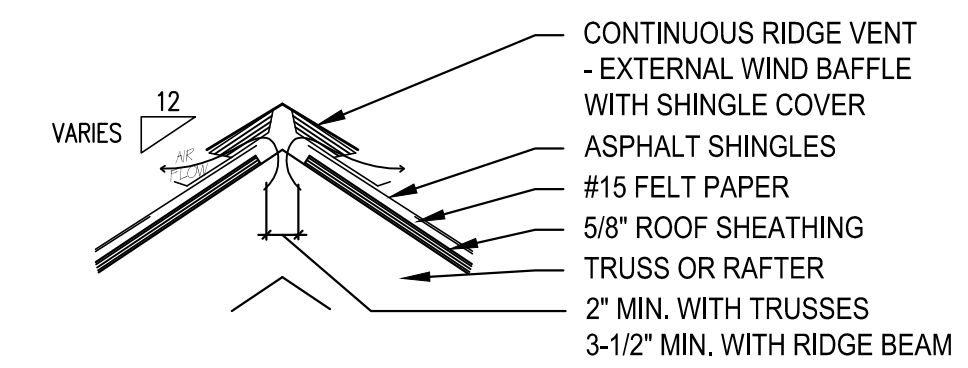
6 | EAVE DETAIL AT GARAGE ROOF
SCALE: 1"=1'-0"



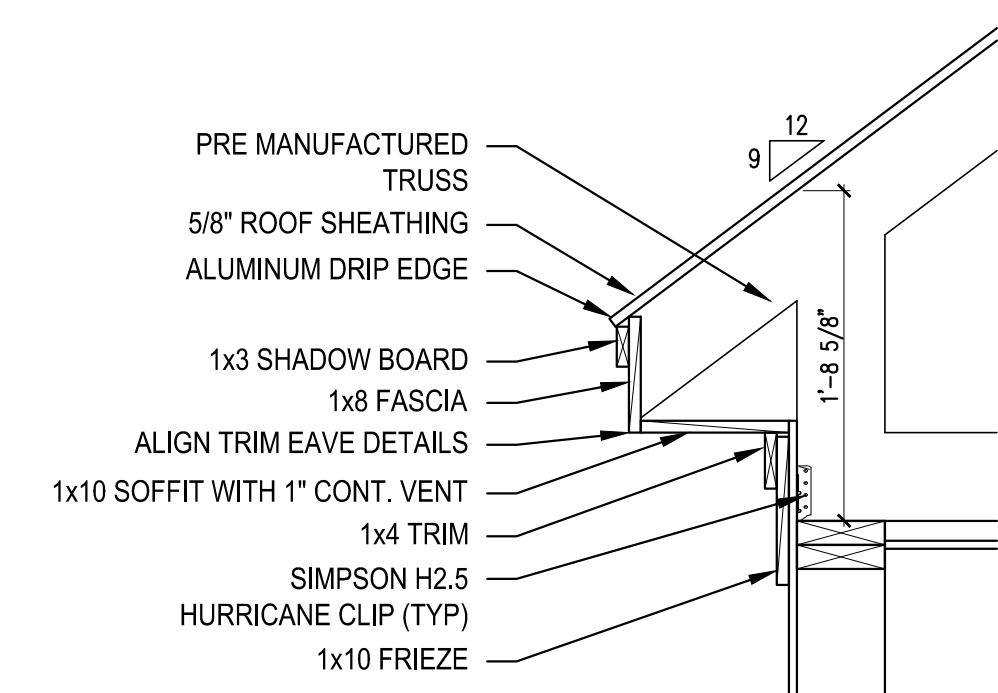
7 | EAVE DETAIL AT PORCH
SCALE: 1"=1'-0"



1 | TYPICAL WALL SECTION
SCALE: 1/2"=1'-0"

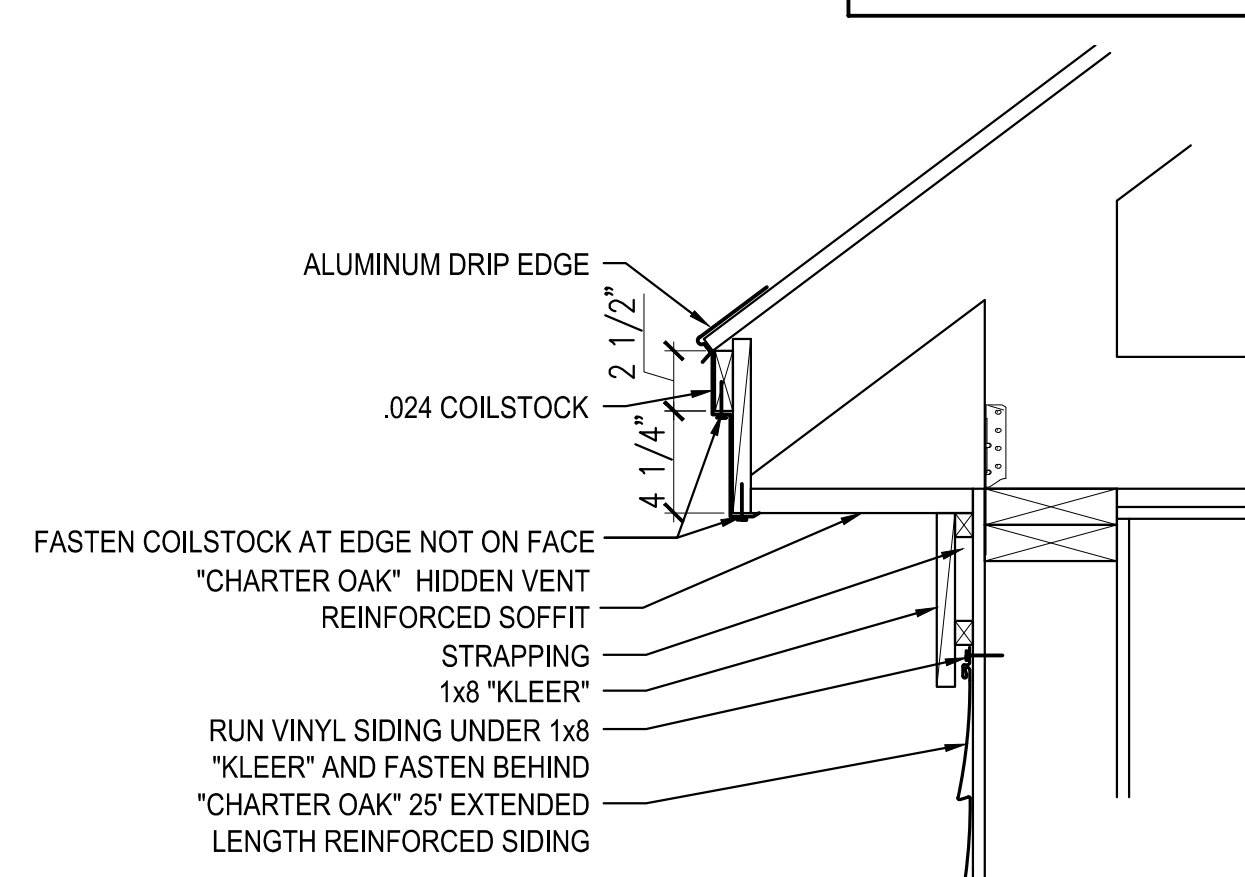


8 | RIDGE VENTY DETAIL
SCALE: 1"=1'-0"

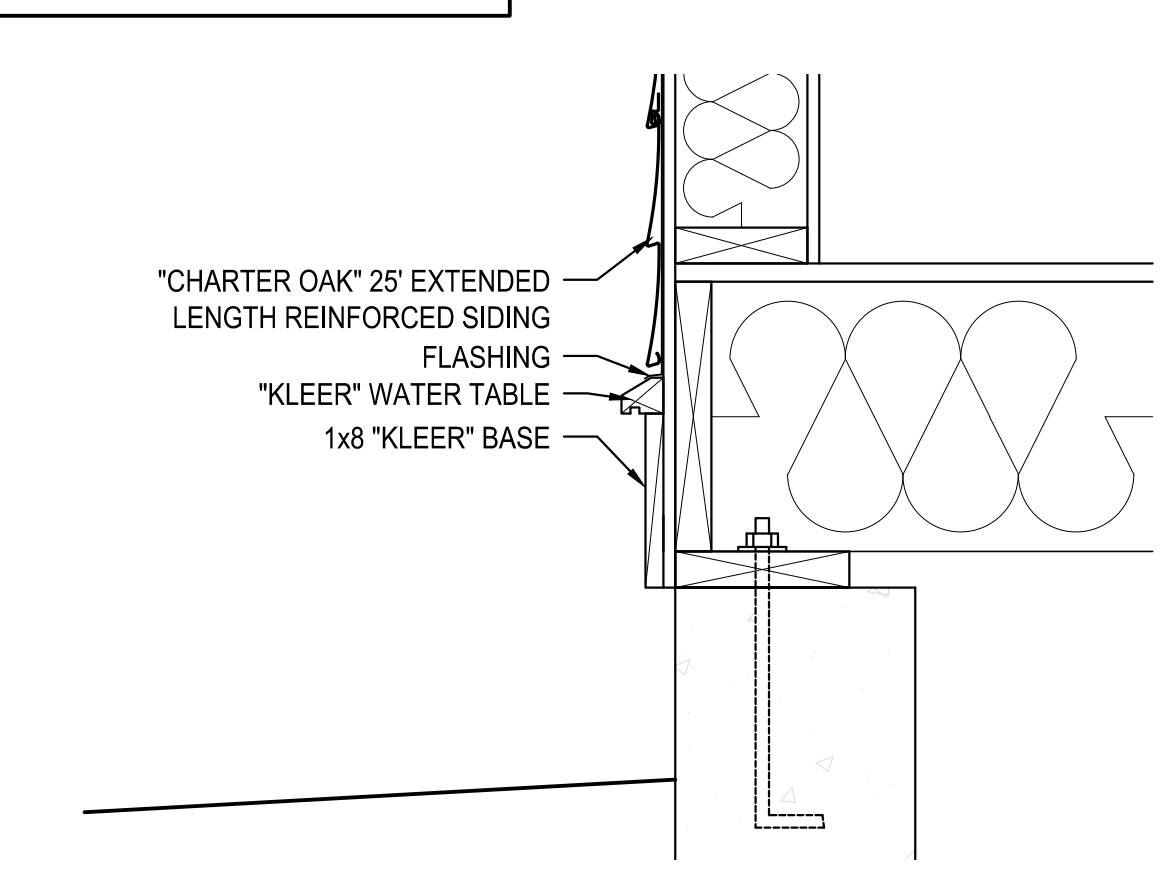


9 | EAVE DETAIL AT GARAGE ROOF
SCALE: 1"=1'-0"

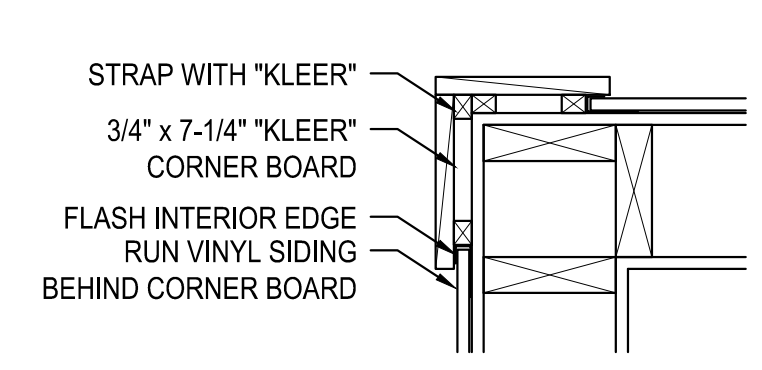
TYPICAL VINYL DETAILS



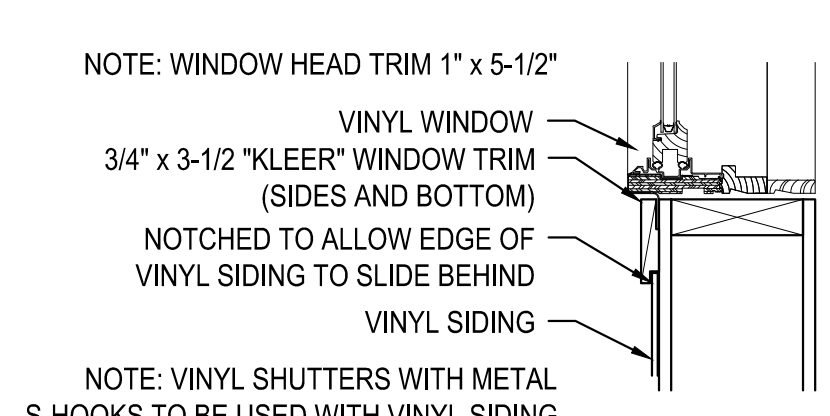
9 | TYPICAL VINYL EAVE DETAIL
SCALE: 1-1/2"=1'-0"



11 | TYPICAL VINYL BASE DETAIL
SCALE: 1-1/2"=1'-0"



10 | TYPICAL VINYL CORNER DETAIL
SCALE: 1-1/2"=1'-0"



12 | TYPICAL EXTERIOR VINYL WINDOW/DOOR DETAIL
SCALE: 1-1/2"=1'-0"

Prepared For: MICHAEL GALLI
Address: _____

Consulting Engineer: ARCHETYPE architects
48 Union Wharf Portland, Maine 04101
(207) 772-6022 Fax (207) 772-4056

Architect: THE COLONIAL OPTION #1

Project: _____

Revisions: Revised 03 FEB 2015

Date: 13 Dec 2012
Scale: AS NOTED

WALL SECTION AND TYPICAL DETAILS

A5