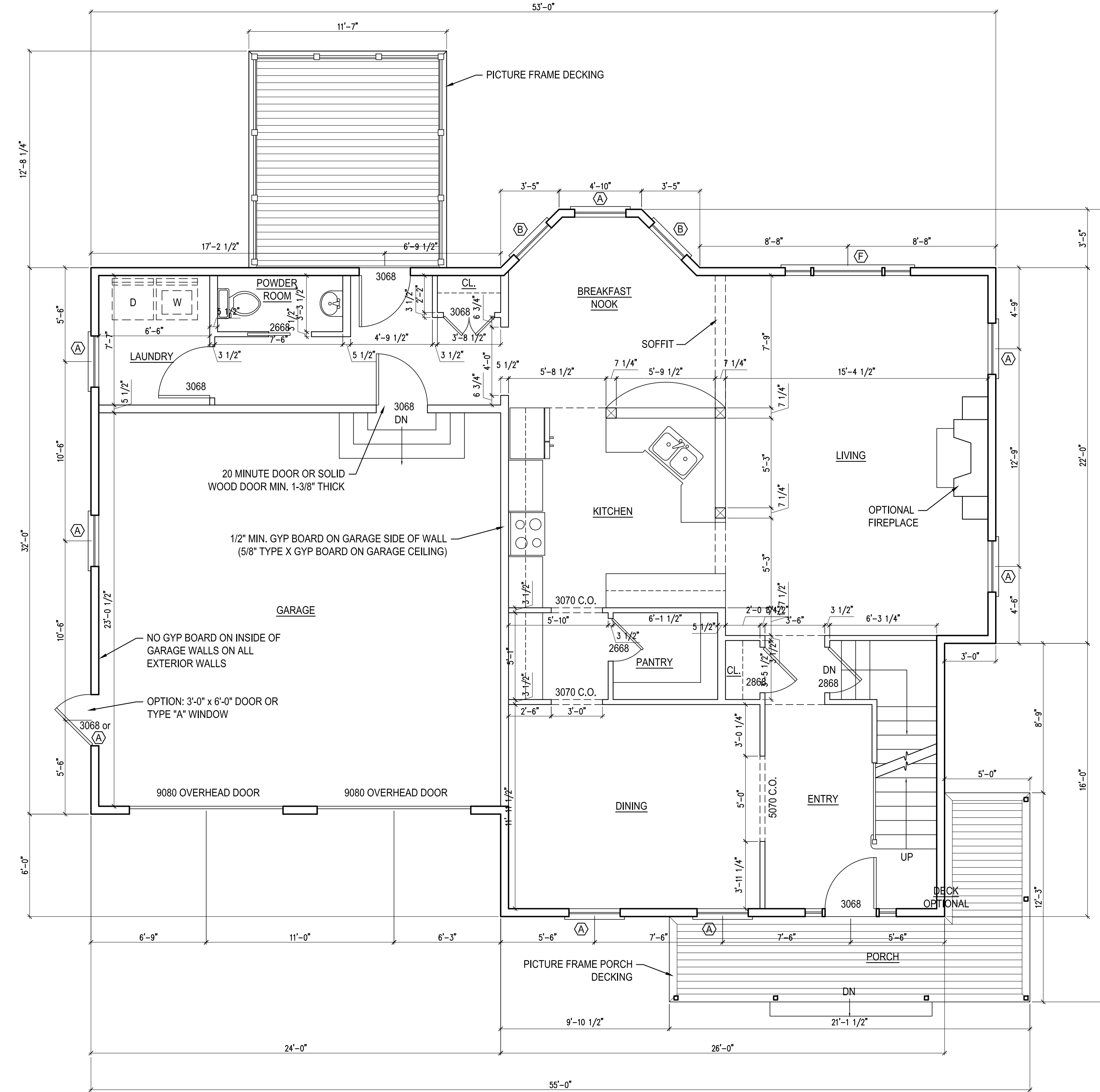
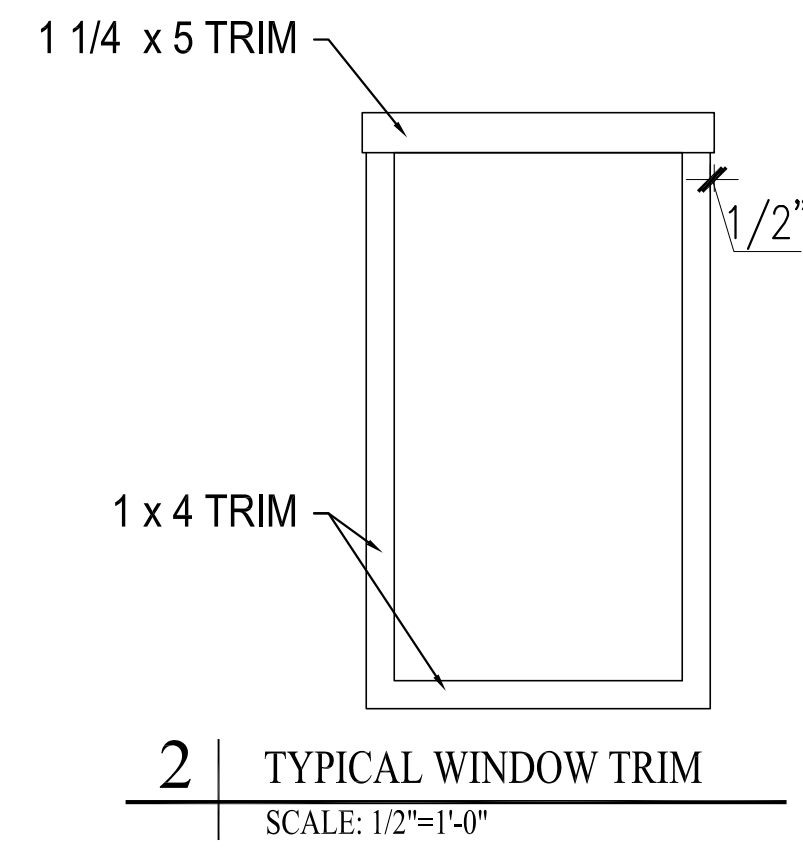


WINDOW SCHEDULE

ALL WINDOWS WITH SCREENS

TAG	SIZE	TYPE	MUNTIN	REMARKS
(A)	3'-0" x 5'-6"	DOUBLE HUNG	AS SHOWN	MEETS EGRESS REQUIREMENTS
(B)	2'-8" x 5'-6"	DOUBLE HUNG	AS SHOWN	
(C)	3'-0" x 5'-0"	DOUBLE HUNG	AS SHOWN	MEETS EGRESS REQUIREMENTS
(D)	2'-8" x 5'-0"	DOUBLE HUNG	AS SHOWN	
(E)	2'-6" x 3'-6"	DOUBLE HUNG	AS SHOWN	
(F)	(2) 2'-0"x5'-6" + 4'-6"x5'-6"	PICTURE / D.H.	AS SHOWN	
(G)	2'-6" x 4'-0"	CASEMENT	AS SHOWN	MEETS EGRESS REQUIREMENTS



1 FIRST FLOOR PLAN
SCALE: 1/4"=1'-0"

TEXT

Address
City, State

Prepared For:

Consulting Engineer:

ARCHETYPE
architects
48 Union Wharf Portland, Maine 04101
(207) 772-6022 Fax (207) 772-4056

Architect:

THE COLONIAL
OPTION #1

Project:

Revisions:

Date: 13 Dec 2012
Scale: 1/4" = 1'-0"

FIRST FLOOR PLAN

A1