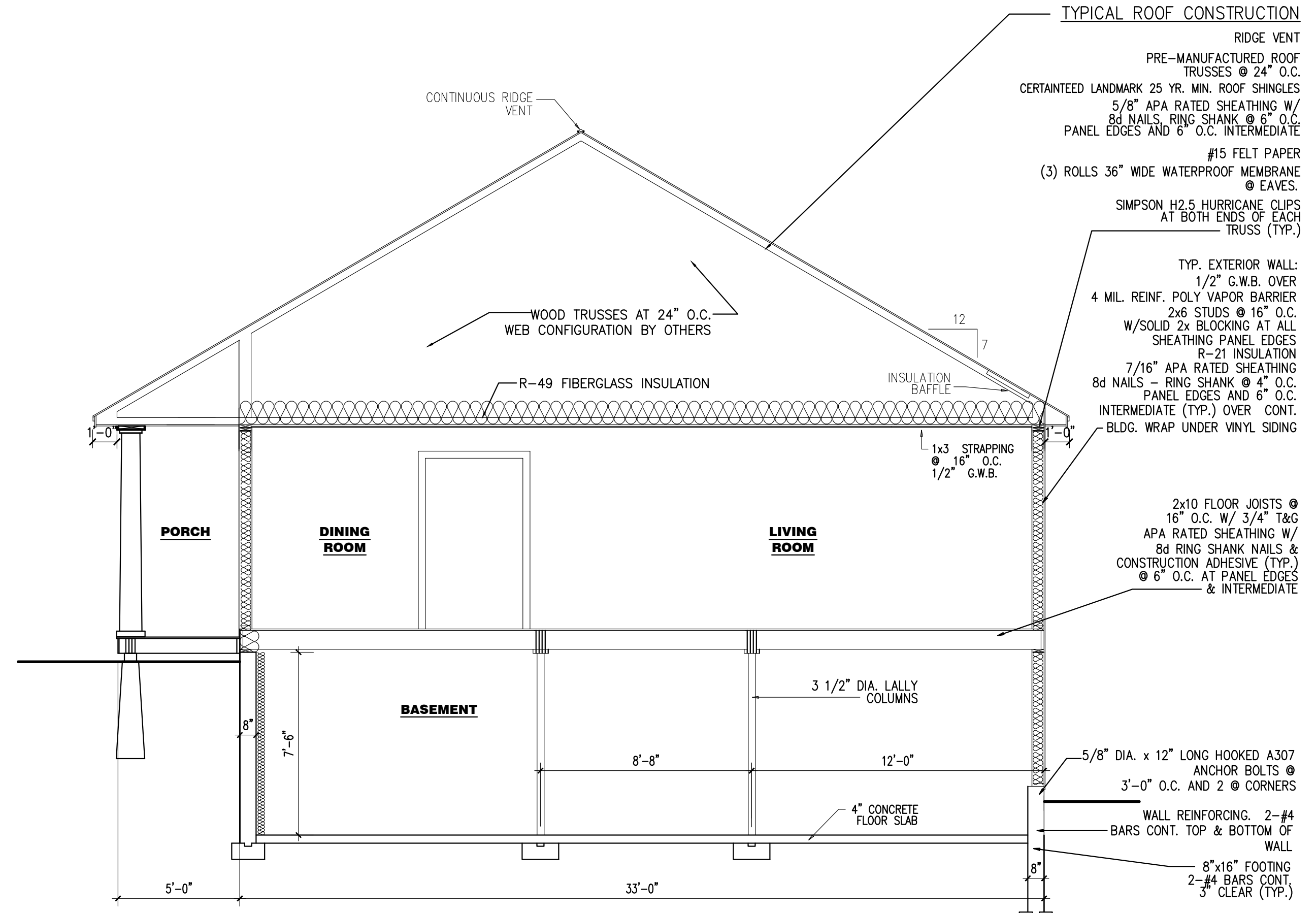
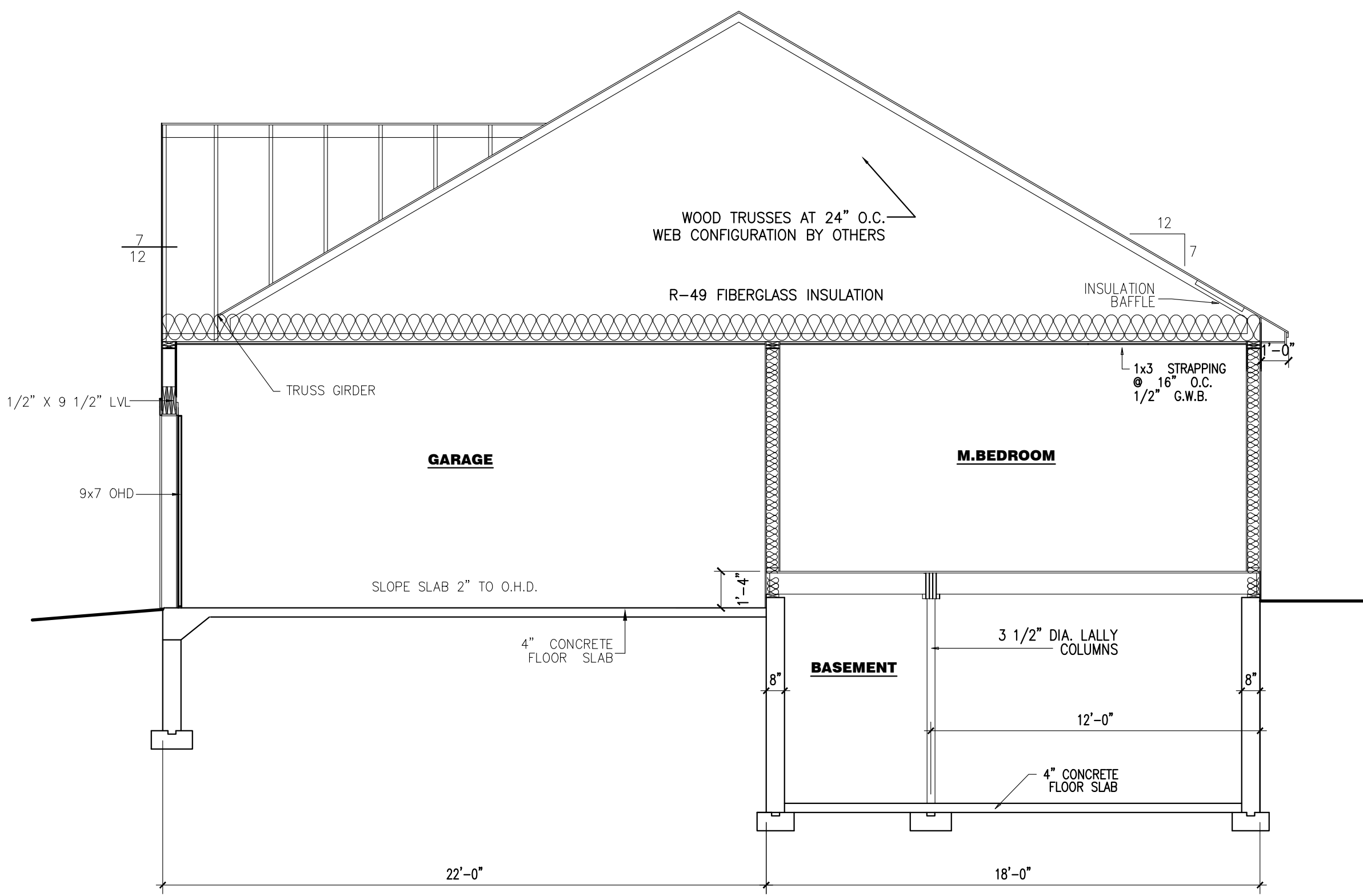


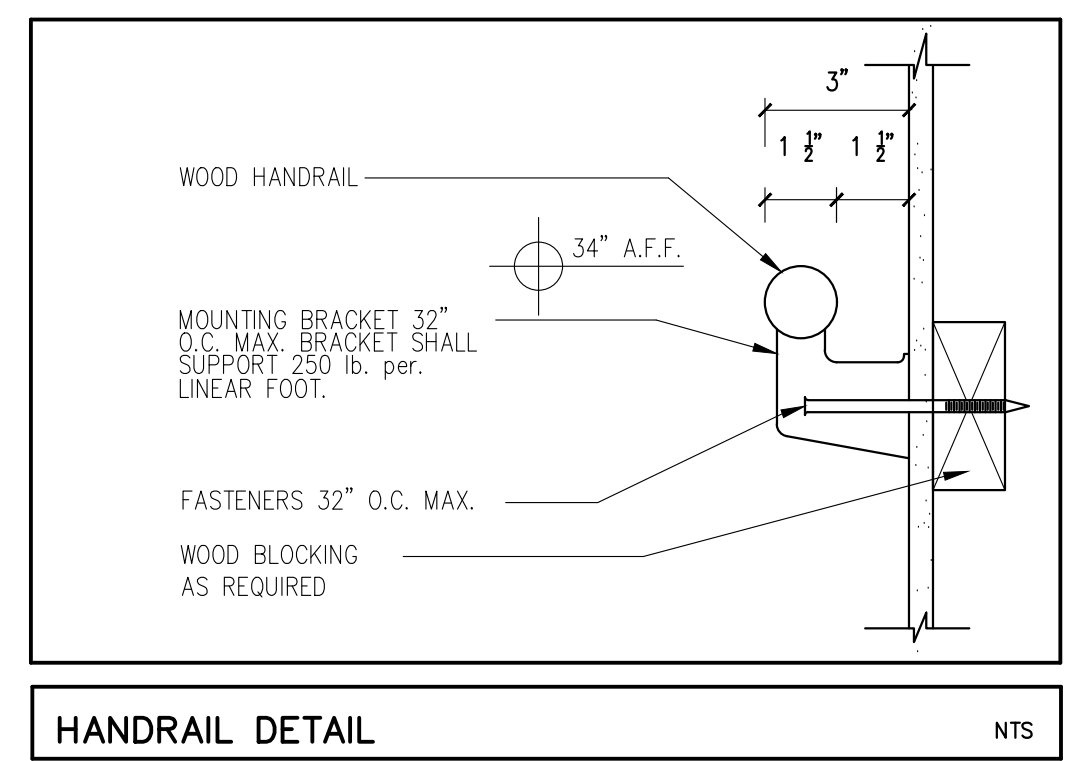
2 SECTION THRU HOUSE  
 SCALE : 1/4" = 1' - 0"



1 SECTION THRU HOUSE  
 SCALE : 1/4" = 1' - 0"



3 SECTION THRU HOUSE  
 SCALE : 1/4" = 1' - 0"



RANCH DESIGN

PORTLAND, MAINE

REVISIONS

DRAWN BY:	DLP
CHECKED BY:	DLP
DATE:	12-22-17
ISSUED:	

SECTIONS

A4

SCALE: AS NOTED