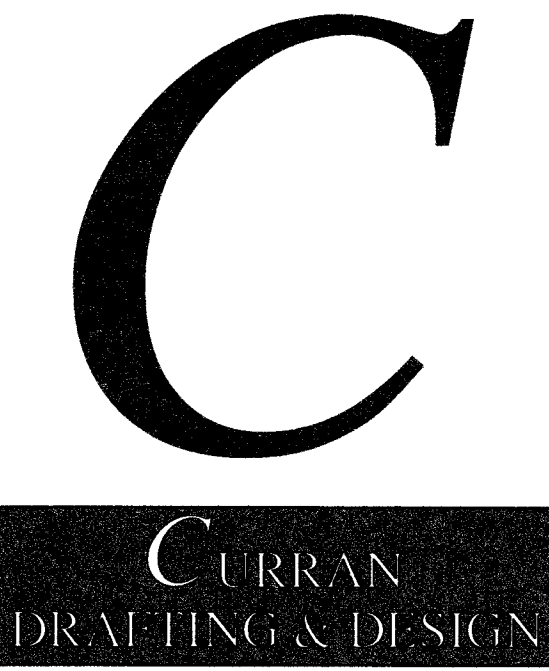
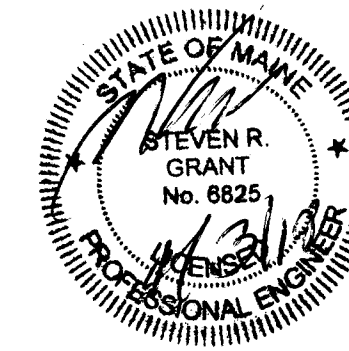


THIS MAINE PE STAMP #6825 IS ONLY FOR CLIENT SELECTED BEAMS AND THE MEMBERS SUPPORTING THEM.



56 LEDGEWOOD DR.  
FALMOUTH, MAINE 04105  
CEL. (207) 632-5320  
MIKE@CDDHOME.COM

PROJECT NAME

**CARSON RESIDENCE**

PROJECT LOCATION

ICE POND DR  
PORTLAND, MAINE

BUILT BY

SHEET NAME

**CROSS SECTIONS**

© ALL RIGHTS RESERVED

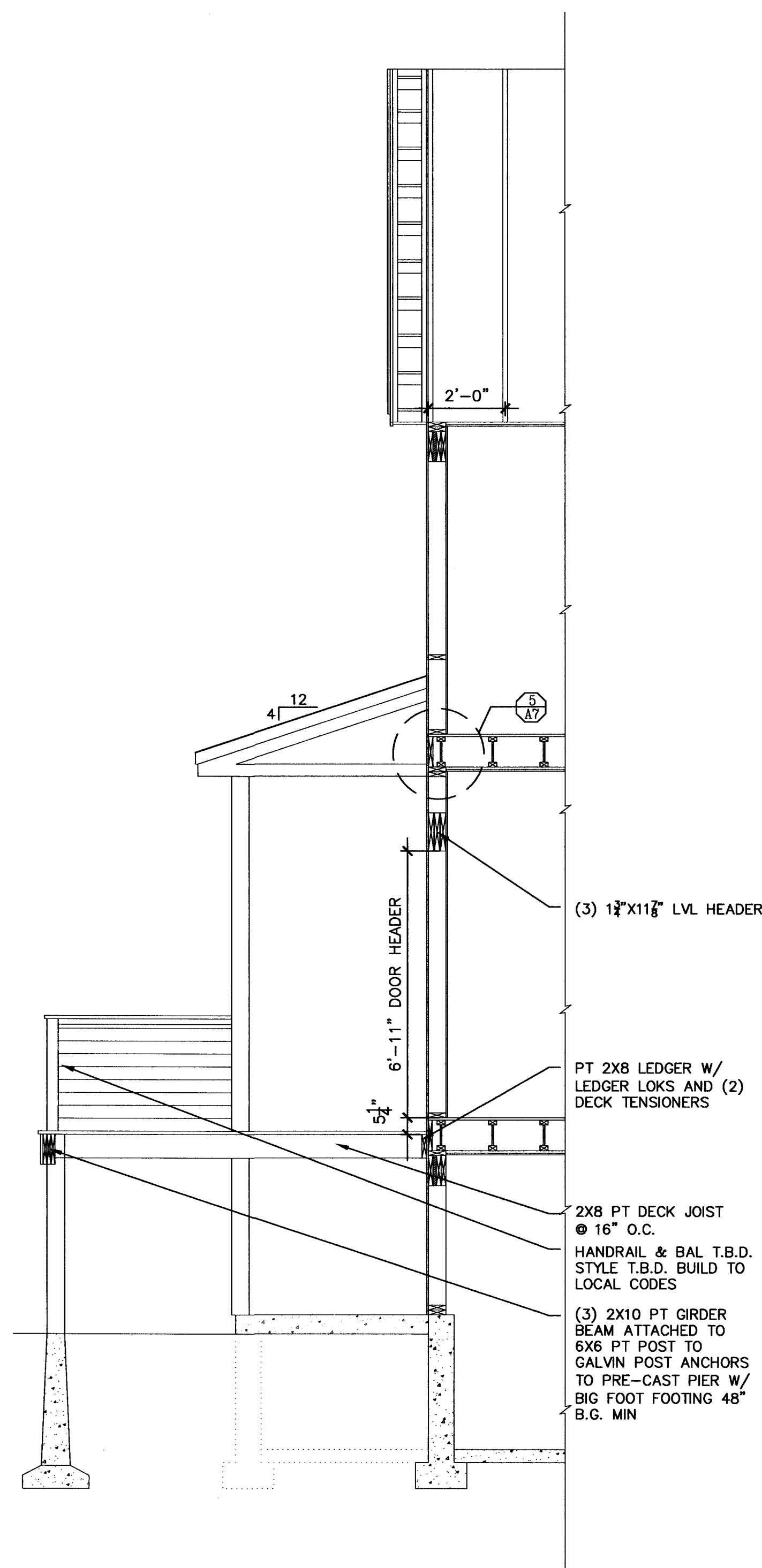
ALL IDEAS, DESIGNS AND PLANS INDICATED OR REPRESENTED BY THESE DRAWINGS ARE THE PROPERTY OF CURRAN DRAFTING & DESIGN AND WERE CREATED AND DEVELOPED FOR USE ON, OR IN CONNECTION WITH THE SPECIFIED PROJECT NAME & ADDRESS. NONE OF SUCH IDEAS, DESIGNS AND PLANS SHALL BE REUSED, REPRODUCED OR COPIED BY ANYONE FOR ANY PURPOSE WHATSOEVER WITHOUT THE WRITTEN PERMISSION OF CURRAN DRAFTING AND DESIGN. THESE PLANS ARE INTENDED FOR A ONE TIME BUILD ONLY. THESE PLANS ARE AN ILLEGAL COPY IF THE LARGE "C" IN THE TITLE BLOCK IS NOT "RED" IN COLOR.

DRAWN BY: M.P.C.  
CHECKED BY: M.P.C.

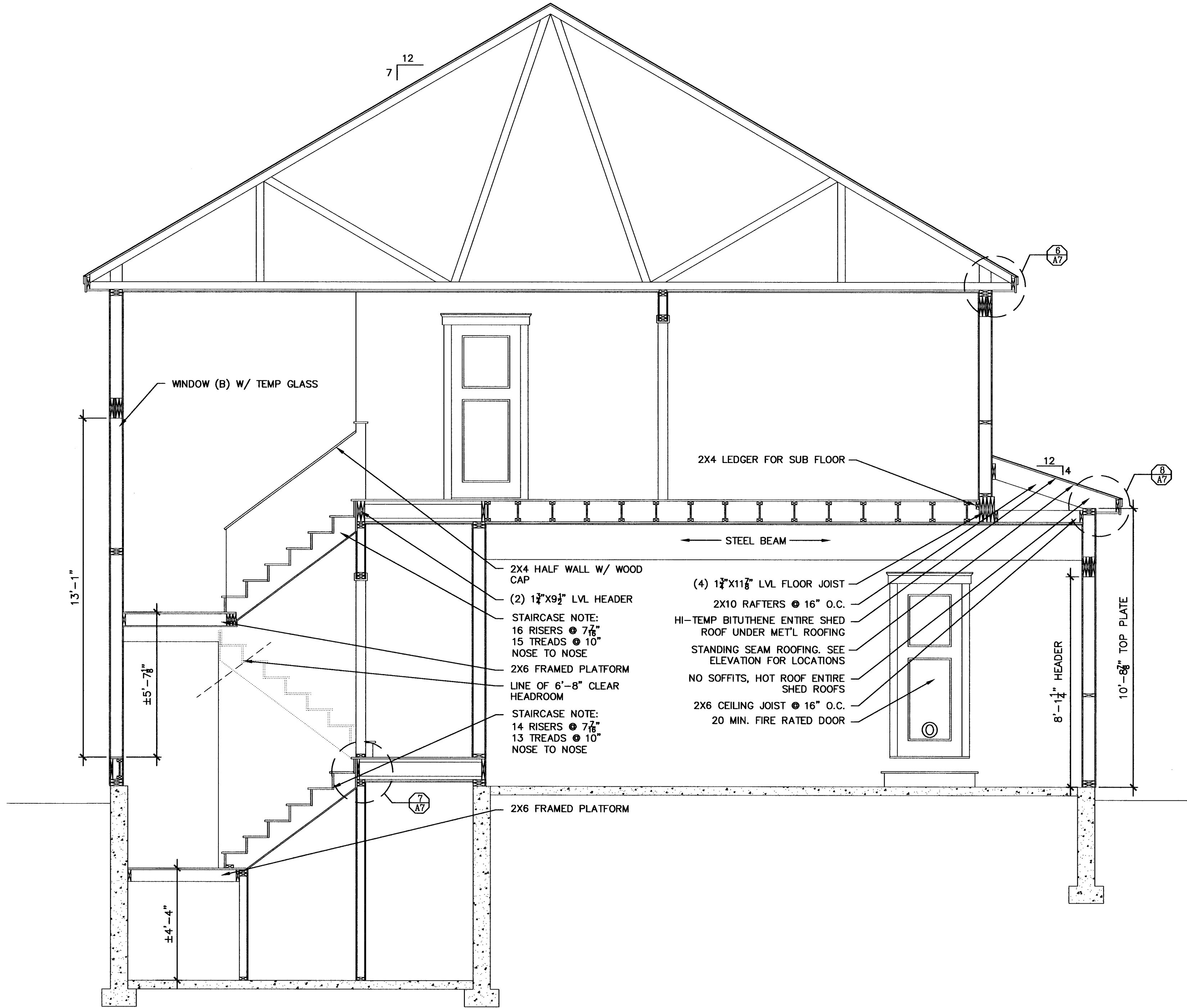
SCALE: AS-NOTED  
DATE: 04-03-18  
FILE NUMBER 17-0057  
REVISIONS:



**A-5**



**2 DECK-DAYLIGHT-HOUSE SECTION**  
3/8" = 1'-0"



**1 STAIRWELL-HOUSE-GARAGE SECTION**  
3/8" = 1'-0"

NOTE: THESE DRAWINGS ARE PROVIDED FOR INFORMATIONAL PURPOSES ONLY. IF USED FOR CONSTRUCTION, THE CONTRACTOR SHALL ASSUME ALL RESPONSIBILITY FOR LOCAL CODE COMPLIANCE. ALL DRAWINGS, PLANS, SKETCHES, ETC. ARE DRAWN IN ACCORDANCE WITH COMMON BUILDING PRACTICES AND LOCAL CODES. EMPLOYEES OF CURRAN DRAFTING AND DESIGN, ARE NOT REGISTERED ARCHITECTS OR ENGINEERS. ALL DIMENSIONS AND SPECIFICATIONS TO BE VERIFIED BY CONTRACTOR BEFORE THE START OF CONSTRUCTION. CURRAN DRAFTING AND DESIGN, IS NOT RESPONSIBLE OR HELD LIABLE FOR ANY CHANGES TO THE DRAWINGS MADE BY THE CLIENT AND OR CONTRACTOR.

CLIENT \_\_\_\_\_  
CLIENT \_\_\_\_\_