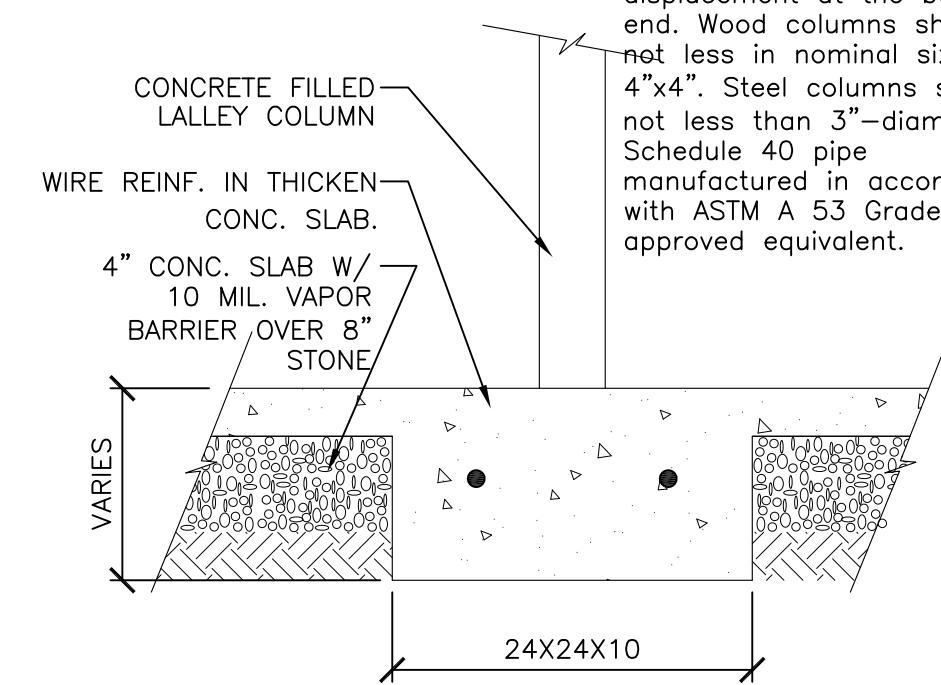
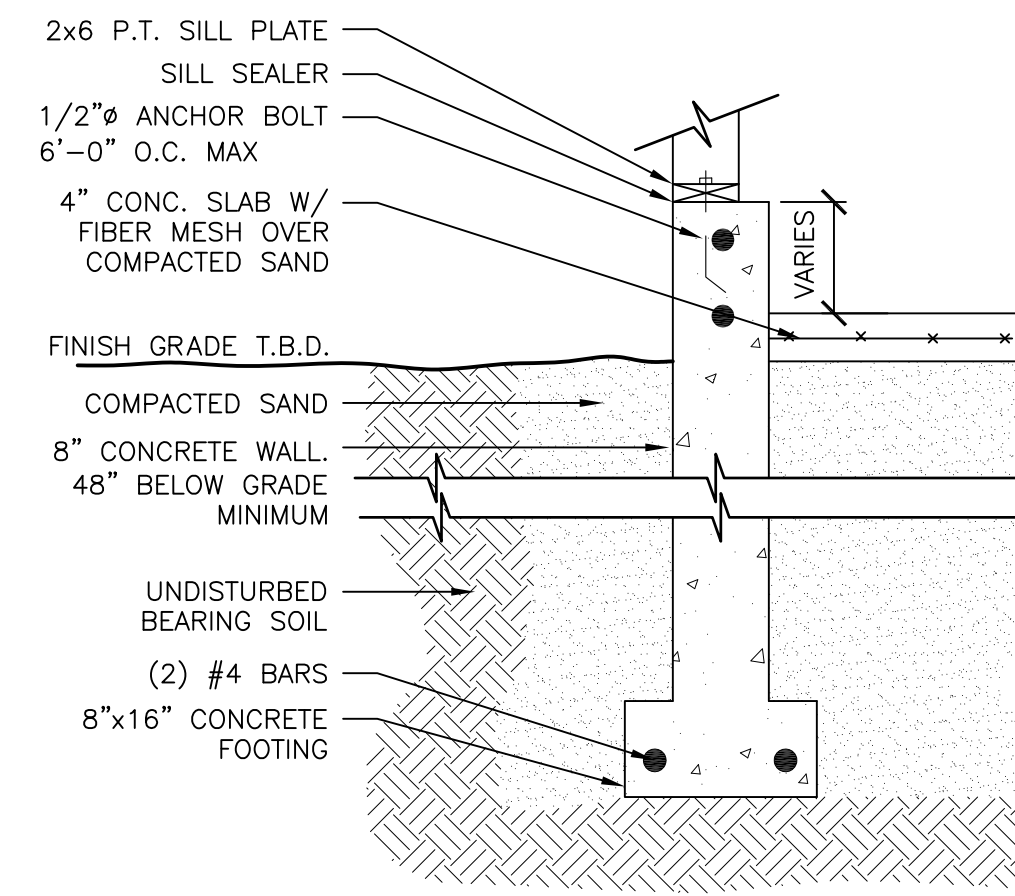


All surfaces (inside and outside) of steel columns shall be given a shop coat of rust-inhibitive paint, except for corrosion-resistant steel and steel treated with coatings to provide corrosion resistance.
R407.3 Structural Requirements

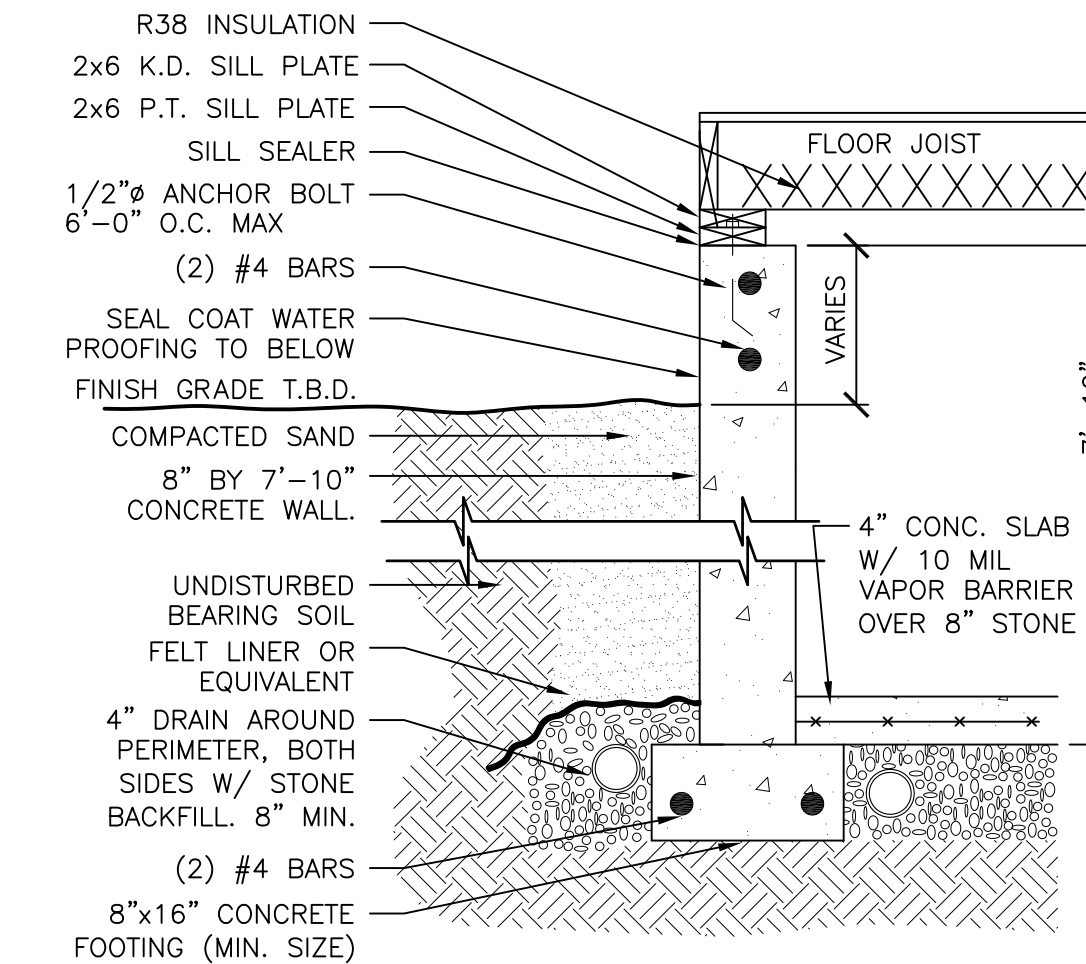


3 THICKEN SLAB DETAIL
A7 3/4" = 1'-0"

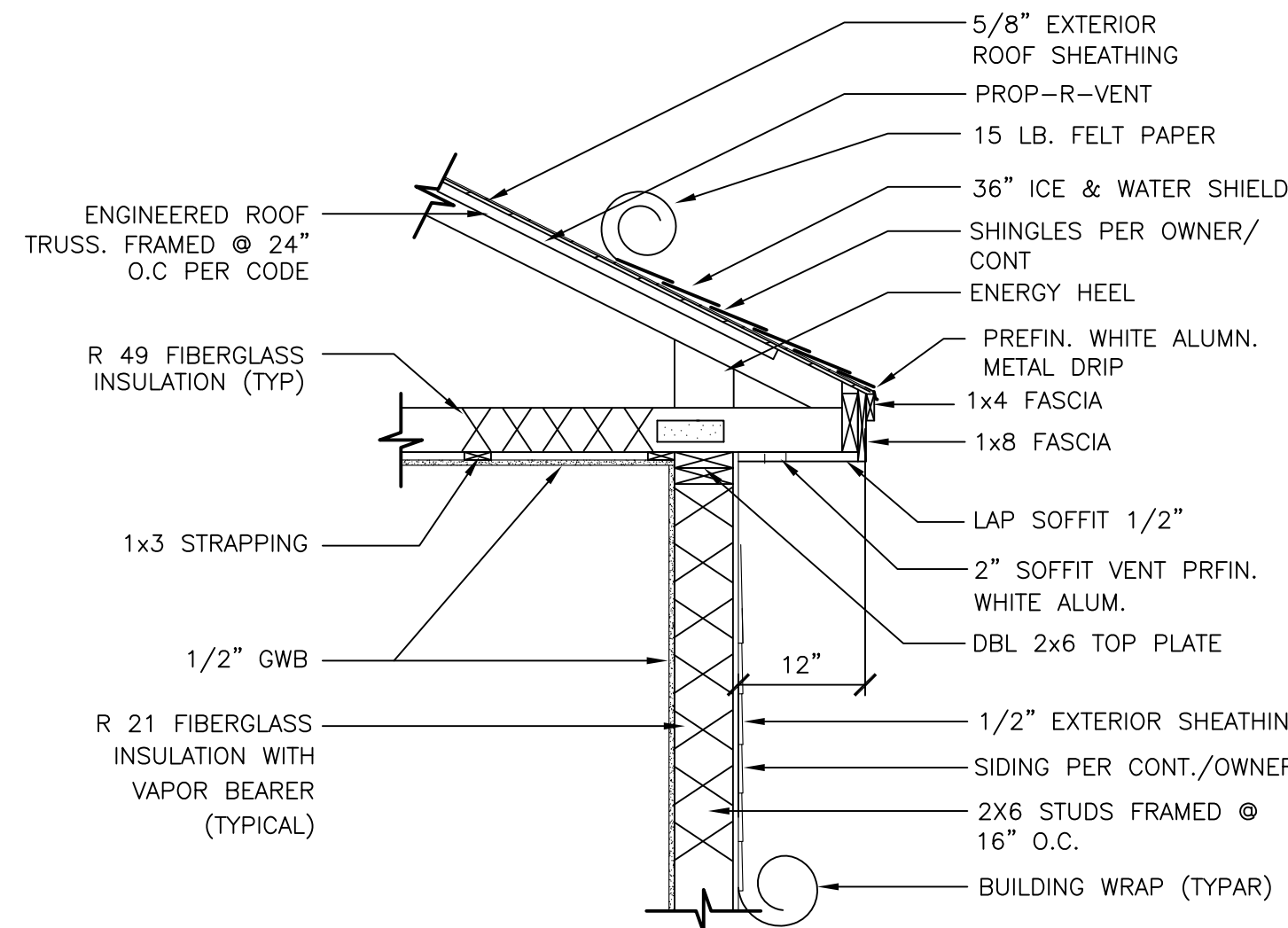
The columns shall be restrained to prevent lateral displacement at the bottom end. Wood columns shall be not less in nominal size than 4"x4". Steel columns shall be not less than 3"-diameter. Schedule 40 pipe manufactured in accordance with ASTM A 53 Grade B or approved equivalent.



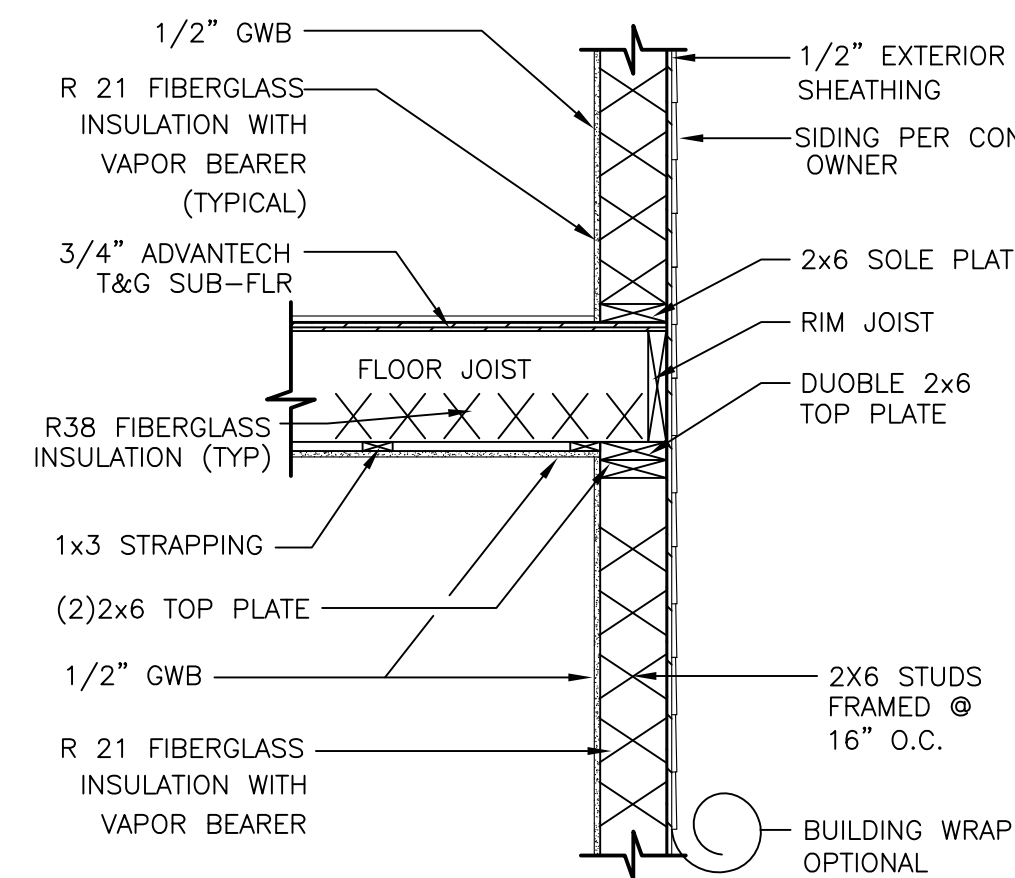
2 SLAB & FROST WALL @ GARAGE
A7 3/4" = 1'-0"



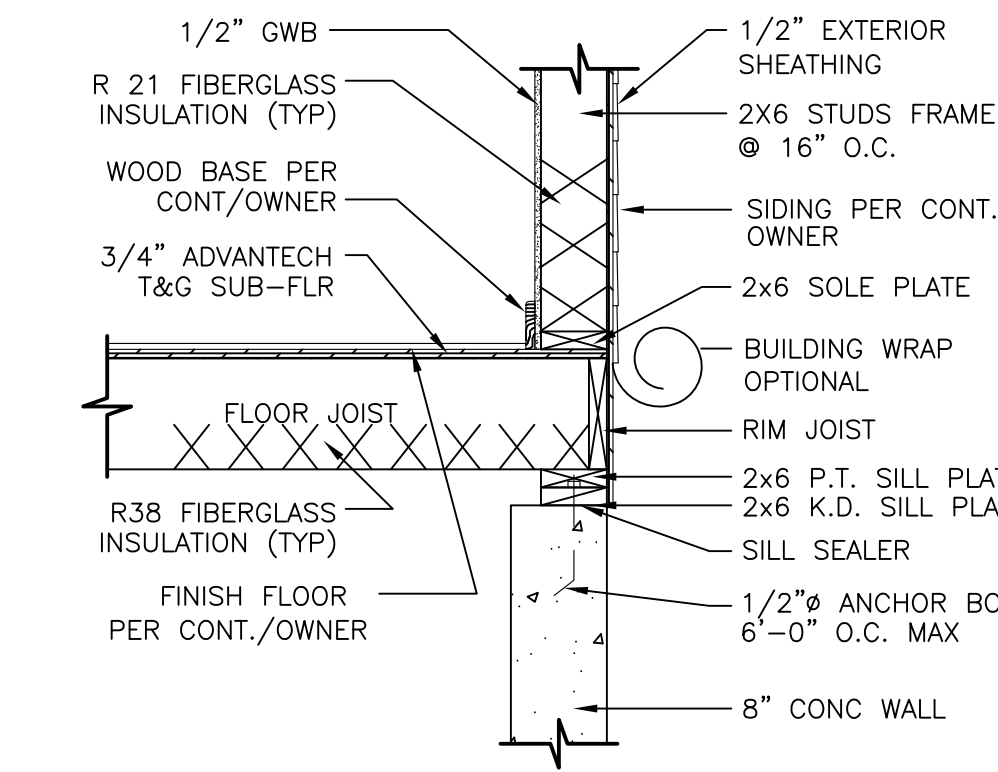
1 SLAB & FOUND. WALL DETAIL
A7 3/4" = 1'-0"



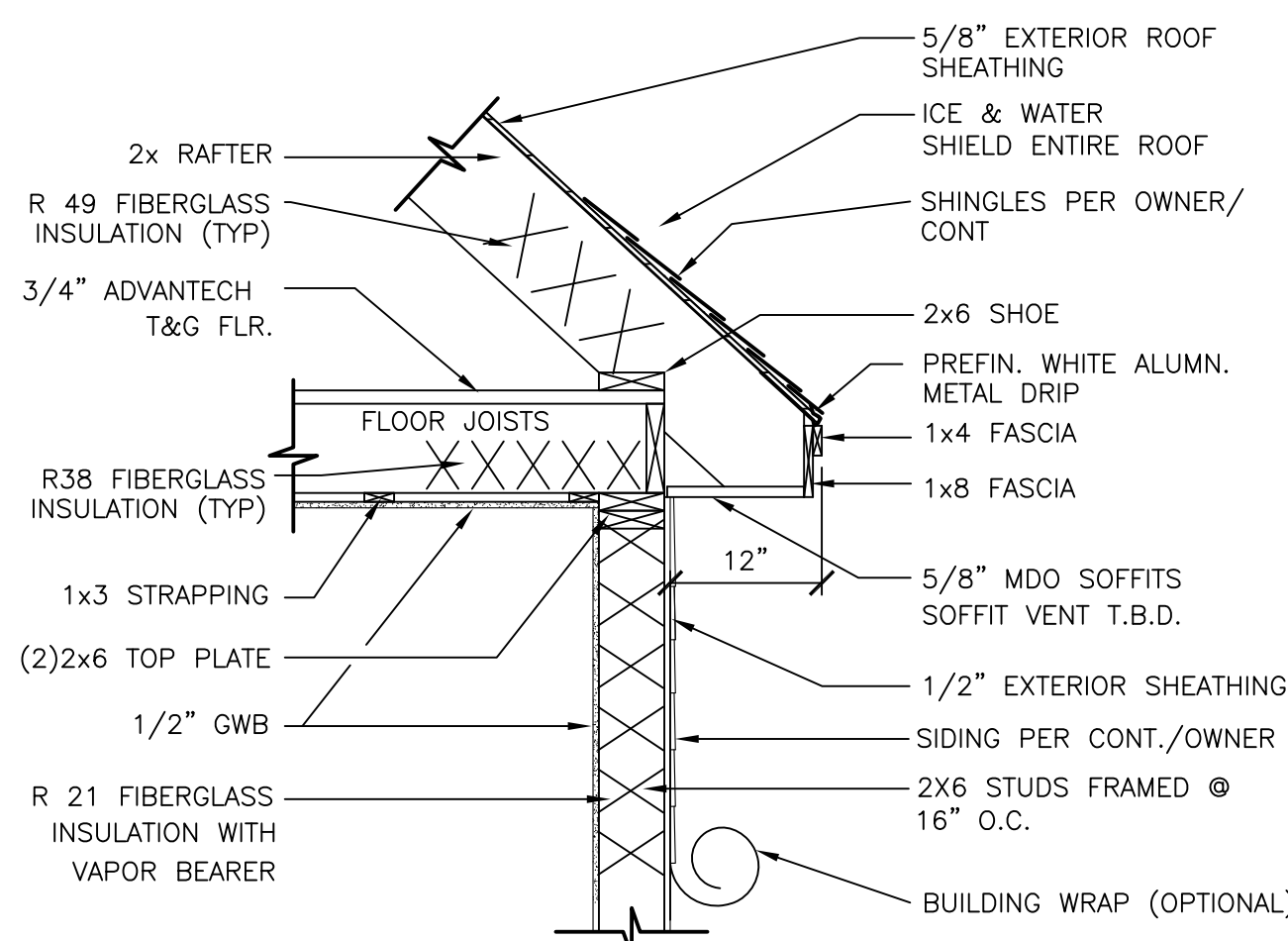
6 WALL, ROOF & SOFFIT DETAIL
A7 3/4" = 1'-0"



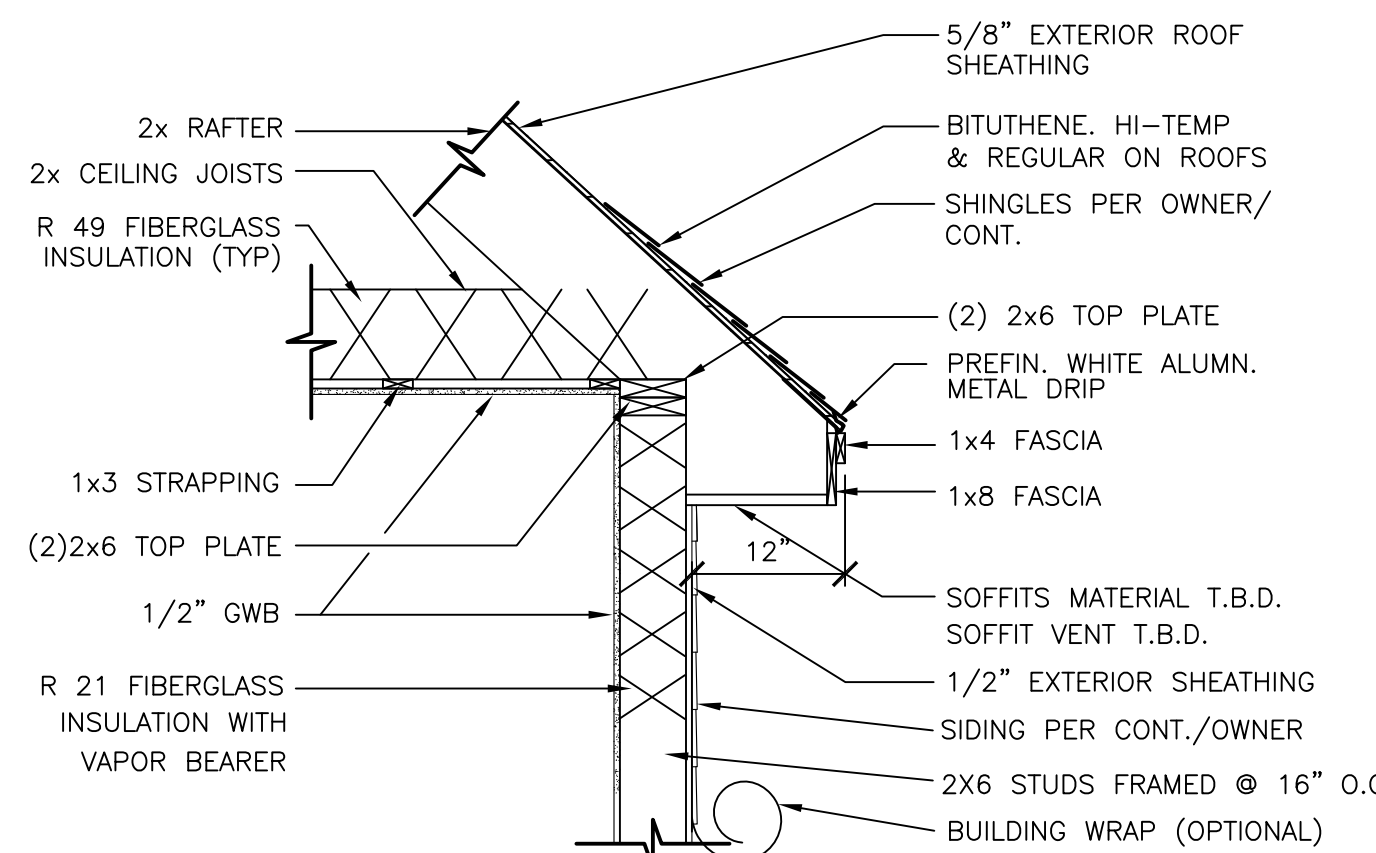
5 EXTERIOR WALL DETAIL
A7 3/4" = 1'-0"



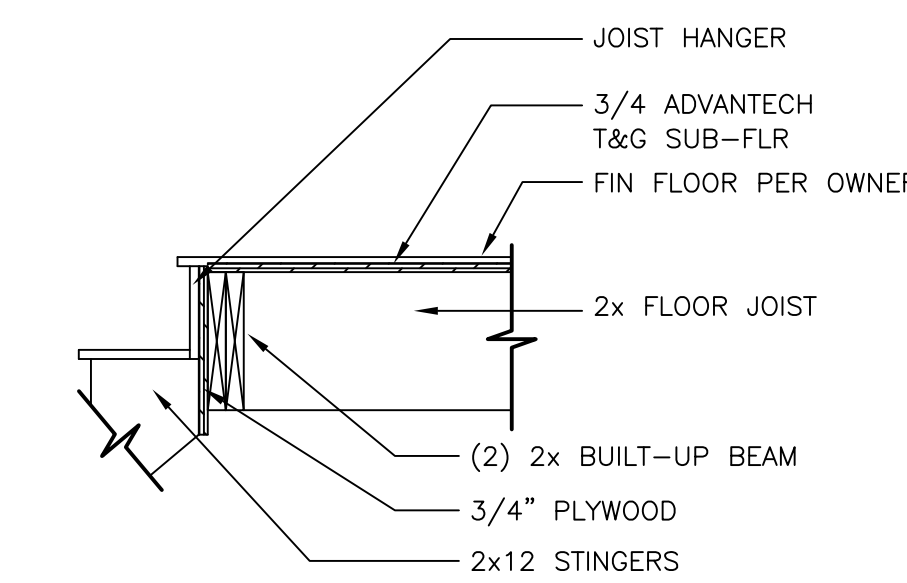
4 WALL BASE DETAIL
A7 3/4" = 1'-0"



9 SOFFIT DETAIL
A7 3/4" = 1'-0"



8 SOFFIT DETAIL @ DOMER
A7 3/4" = 1'-0"



7 STAIR ATTACHMENT DETAIL
A7 3/4" = 1'-0"