

CURRAN
DRAFTING & DESIGN

56 LEDGEWOOD DR.
FALMOUTH, MAINE 04105
CEL. (207) 632-5320
MIKE@CDDHOME.COM

PROJECT NAME

**CARSON
RESIDENCE**

PROJECT LOCATION

ICE POND DR
PORTLAND, MAINE

BUILT BY

SHEET NAME

**CROSS
SECTIONS**

© ALL RIGHTS RESERVED

ALL IDEAS, DESIGNS AND PLANS INDICATED OR REPRESENTED BY THESE DRAWINGS ARE THE PROPERTY OF CURRAN DRAFTING & DESIGN AND WERE CREATED AND DEVELOPED FOR USE ON, OR IN CONNECTION WITH THE SPECIFIED PROJECT NAME & ADDRESS. NONE OF SUCH IDEAS, DESIGNS AND PLANS SHALL BE REUSED, REPRODUCED OR COPIED BY ANYONE FOR ANY PURPOSE WHATSOEVER WITHOUT THE WRITTEN PERMISSION OF CURRAN DRAFTING AND DESIGN. THESE PLANS ARE INTENDED FOR A ONE TIME BUILD ONLY. THESE PLANS ARE AN ILLEGAL COPY IF THE LARGE "C" IN THE TITLE BLOCK IS NOT "RED" IN COLOR.

DRAWN BY: M.P.C.

CHECKED BY: M.P.C.

SCALE: AS-NOTED

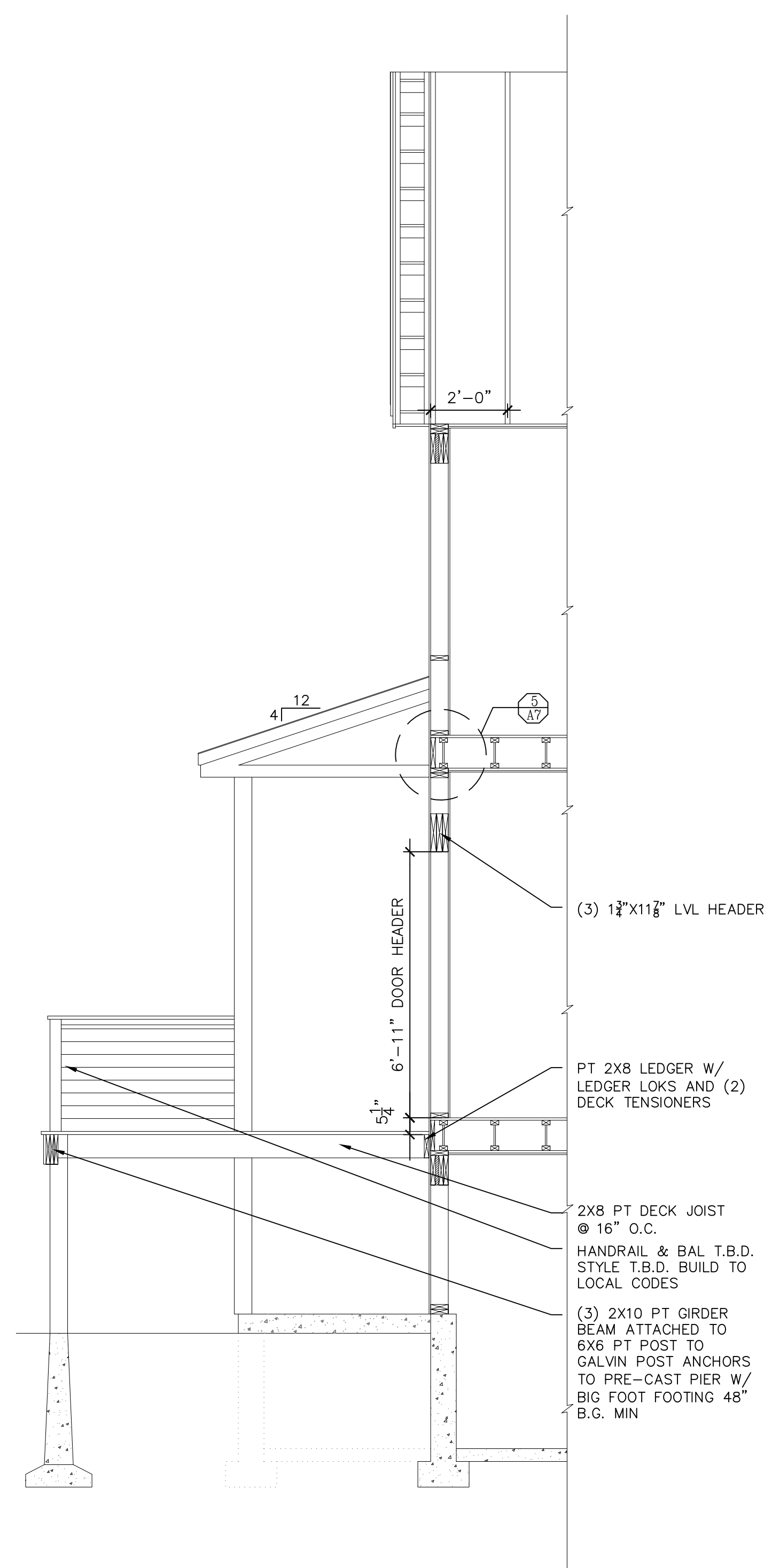
DATE: 01/04/18

FILE NUMBER 17-0057

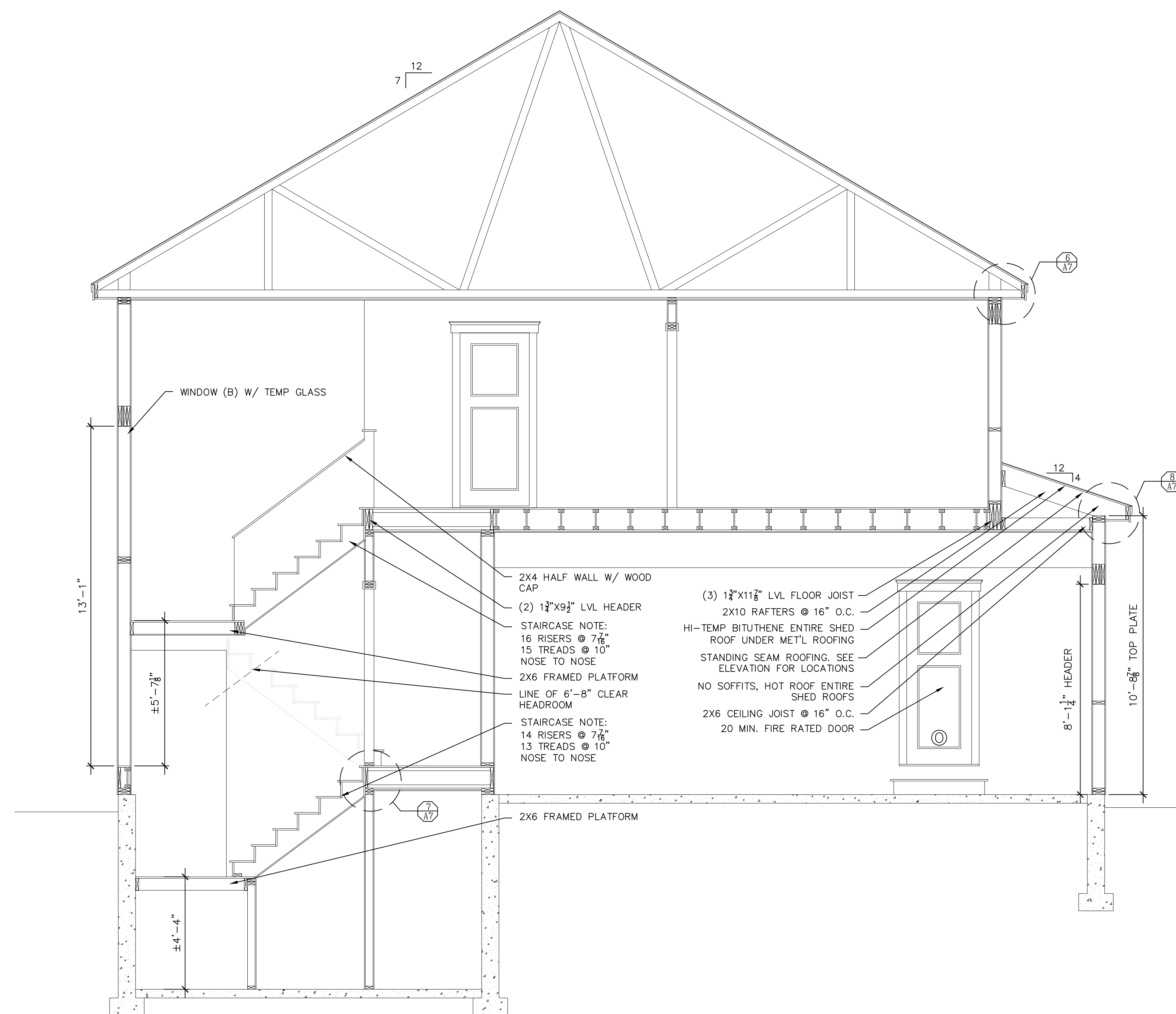
REVISIONS:



A-5



2 DECK-DAYLIGHT-HOUSE SECTION
3/8" = 1'-0"



1 STAIRWELL-HOUSE-GARAGE SECTION
3/8" = 1'-0"

NOTE:

THESE DRAWINGS ARE PROVIDED FOR INFORMATIONAL PURPOSES ONLY. IF USED FOR CONSTRUCTION, THE CONTRACTOR SHALL ASSUME ALL RESPONSIBILITY FOR LOCAL CODE COMPLIANCE. ALL DRAWINGS, PLANS, SKETCHES, ETC. ARE DRAWN IN ACCORDANCE WITH COMMON BUILDING PRACTICES AND LOCAL CODES. EMPLOYEES OF CURRAN DRAFTING AND DESIGN, ARE NOT REGISTERED ARCHITECTS OR ENGINEERS. ALL DIMENSIONS AND SPECIFICATIONS TO BE VERIFIED BY CONTRACTOR BEFORE THE START OF CONSTRUCTION. CURRAN DRAFTING AND DESIGN, IS NOT RESPONSIBLE OR HELD LIABLE FOR ANY CHANGES TO THE DRAWINGS MADE BY THE CLIENT AND/OR CONTRACTOR.

CLIENT _____

CLIENT _____