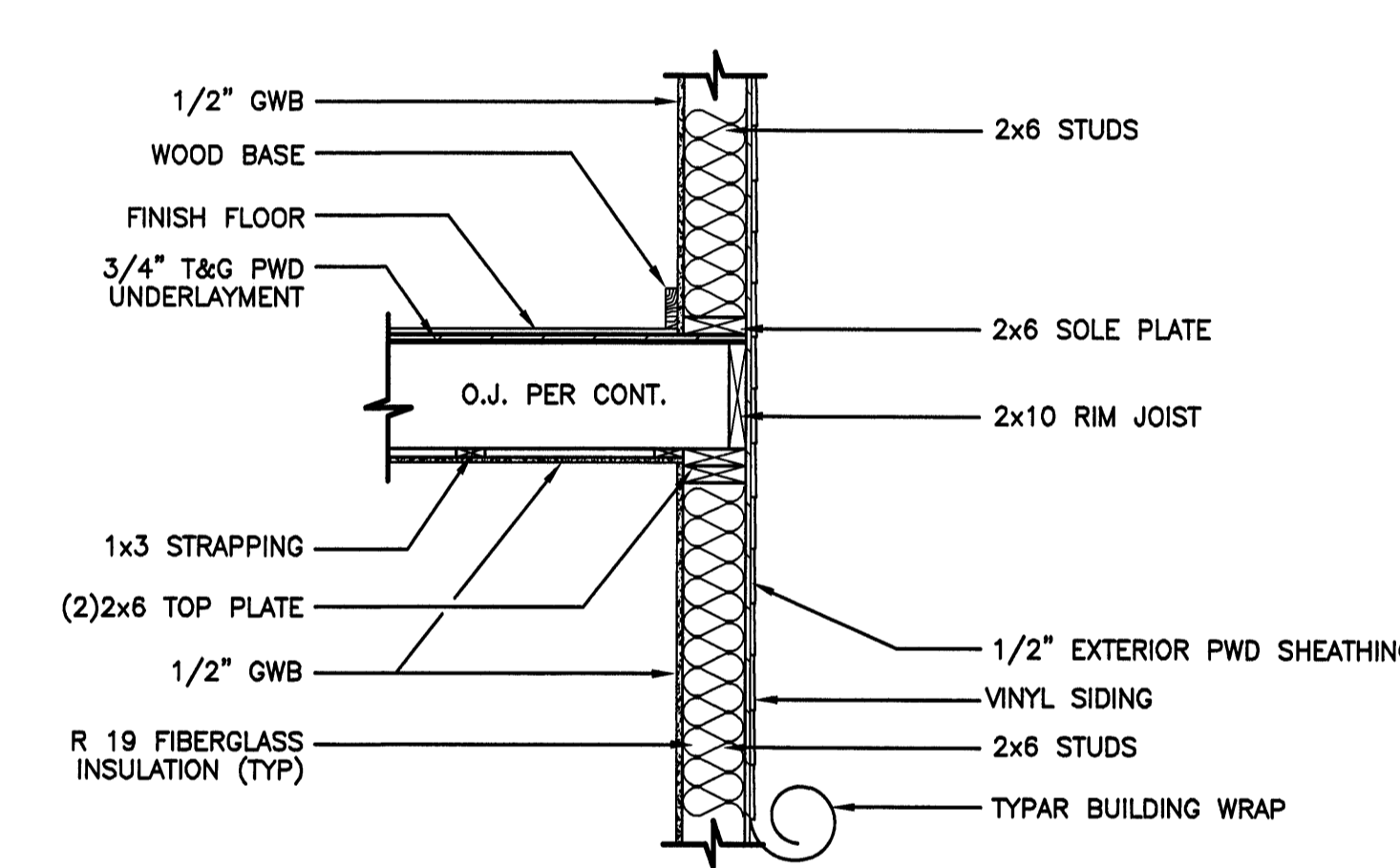
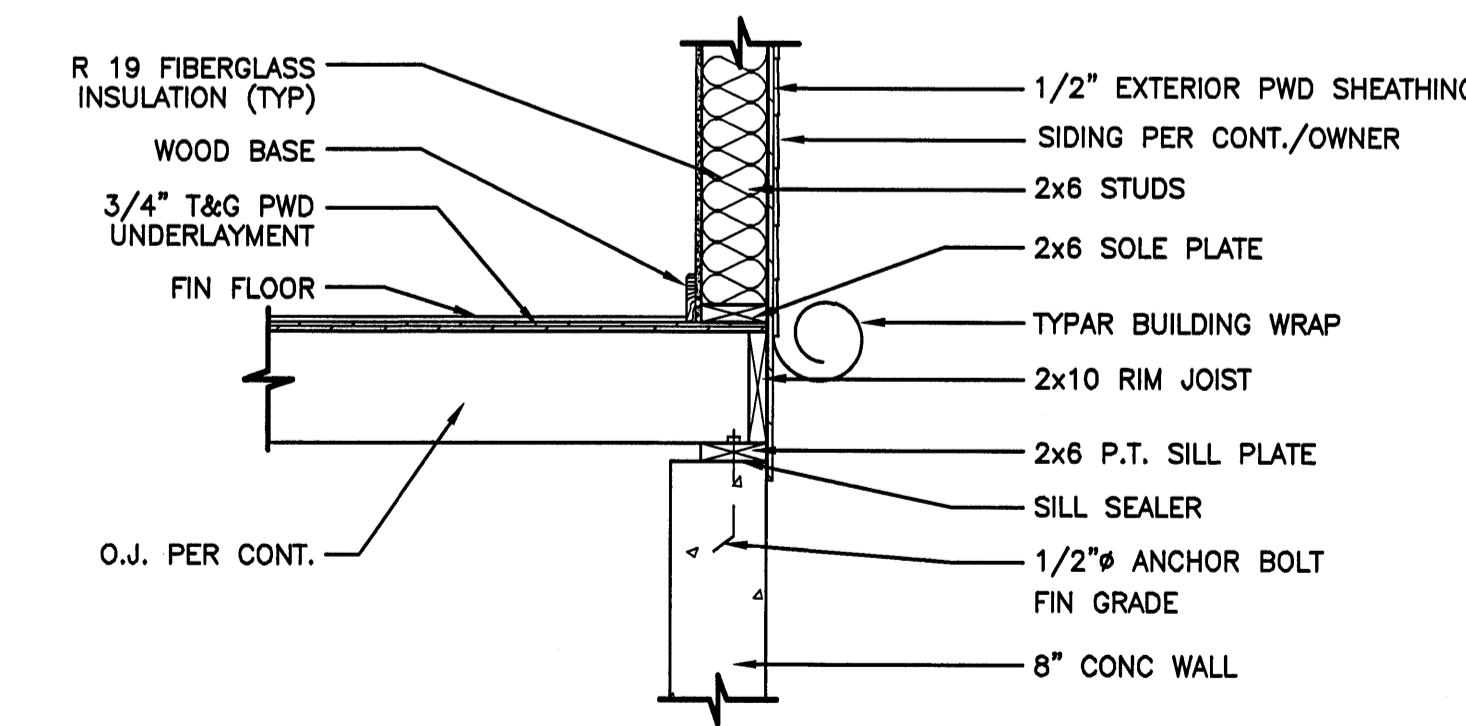


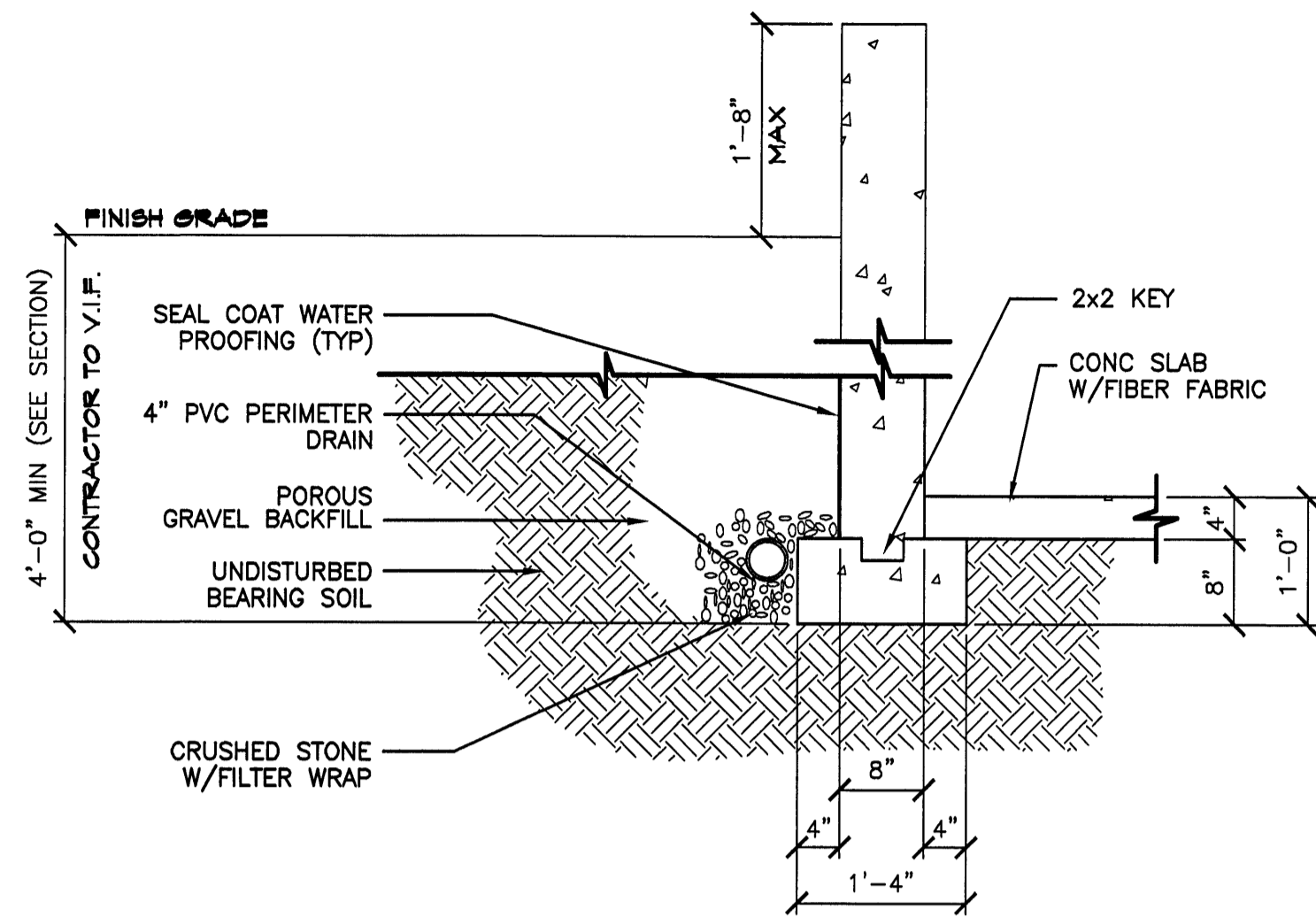
**1 SOFFIT DETAIL**  
SCALE: 3/4"=1'-0"  
NOTE: SUBSTITUTE JOIST AND RAFTER SIZES WITH PLAN CALL-OUT.



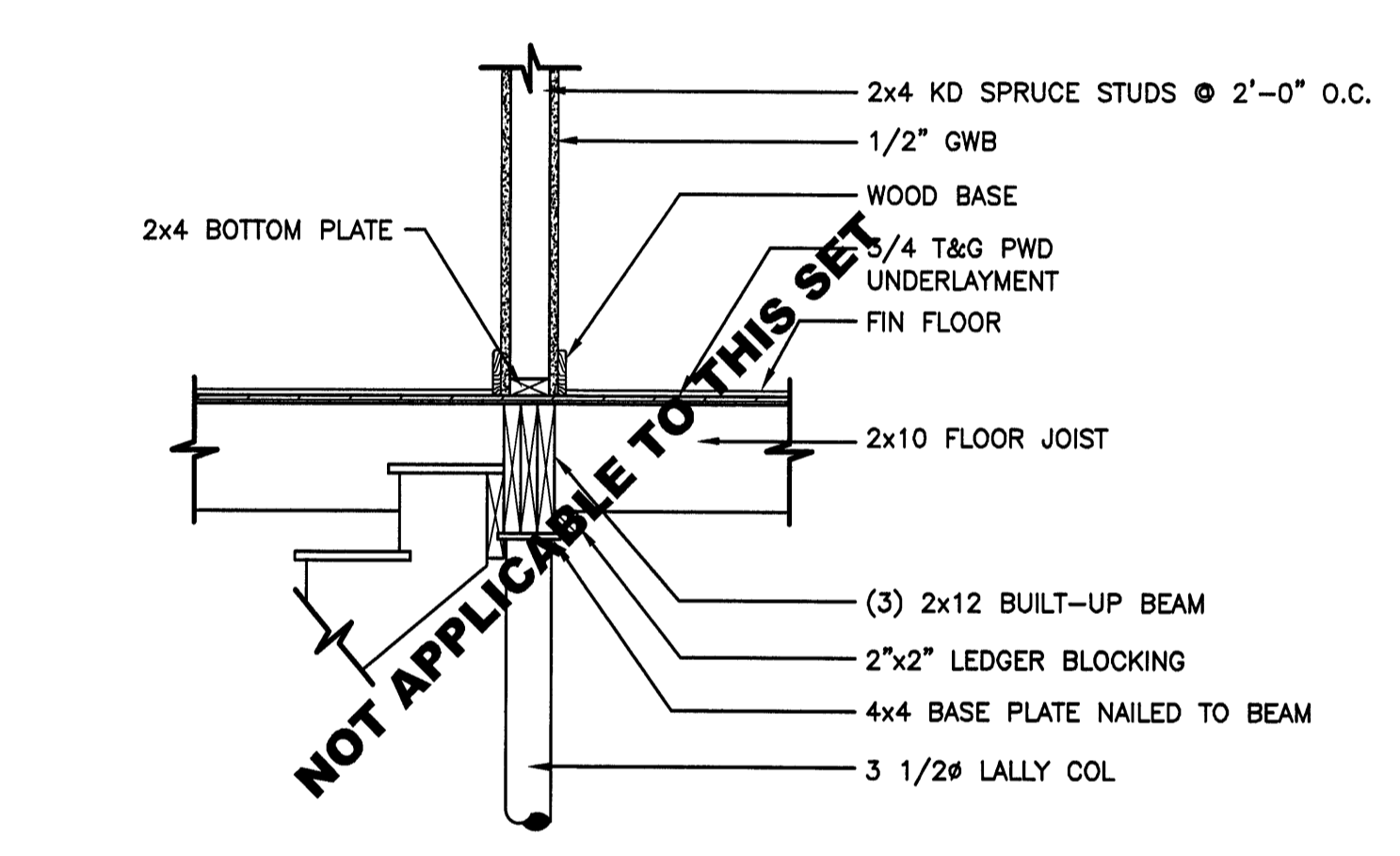
**2 EXTERIOR WALL DETAIL**  
SCALE: 3/4"=1'-0"  
NOTE: SUBSTITUTE JOIST AND RAFTER SIZES WITH PLAN CALL-OUT.



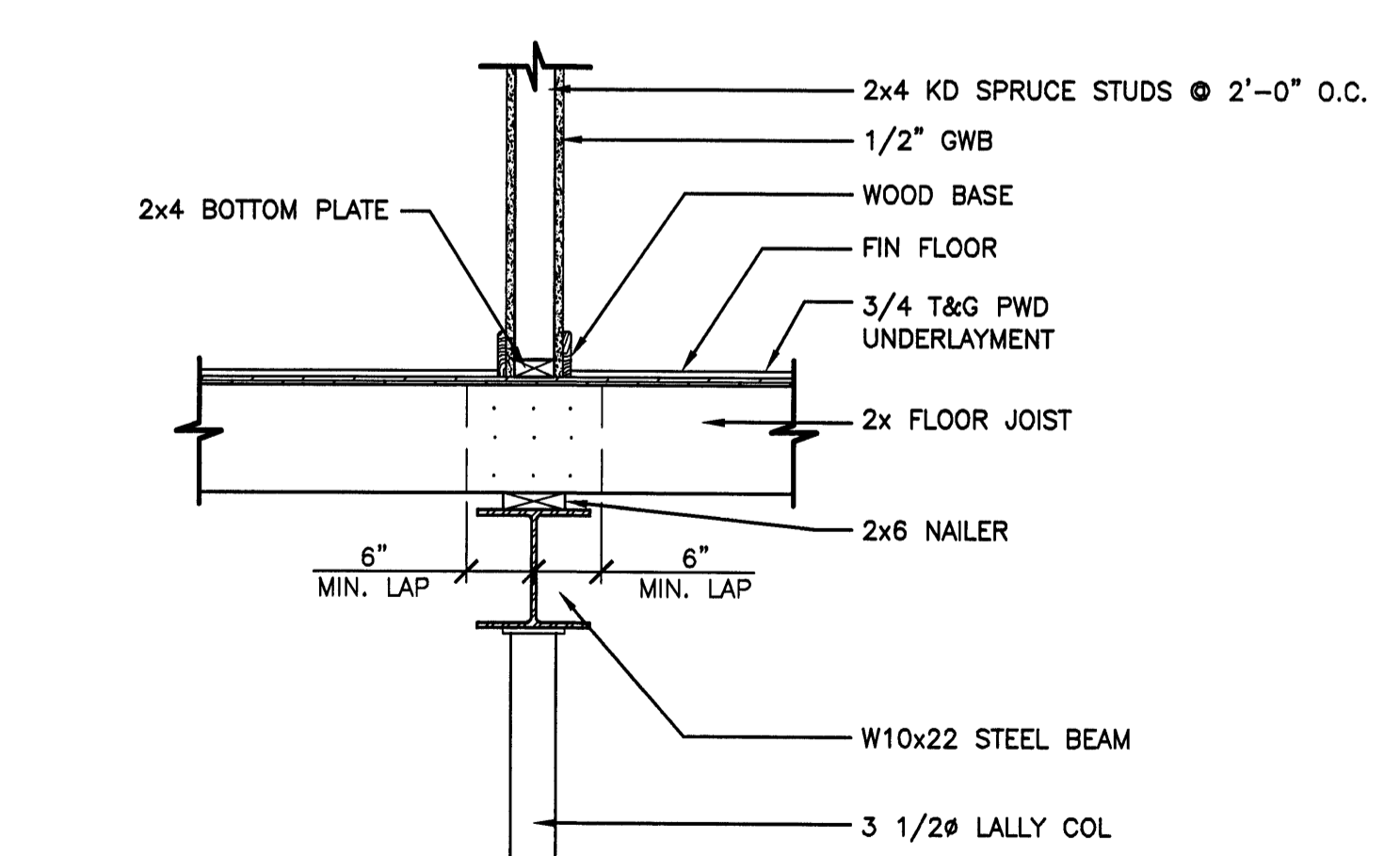
**3 WALL BASE DETAIL**  
SCALE: 3/4"=1'-0"  
NOTE: SUBSTITUTE JOIST AND RAFTER SIZES WITH PLAN CALL-OUT.



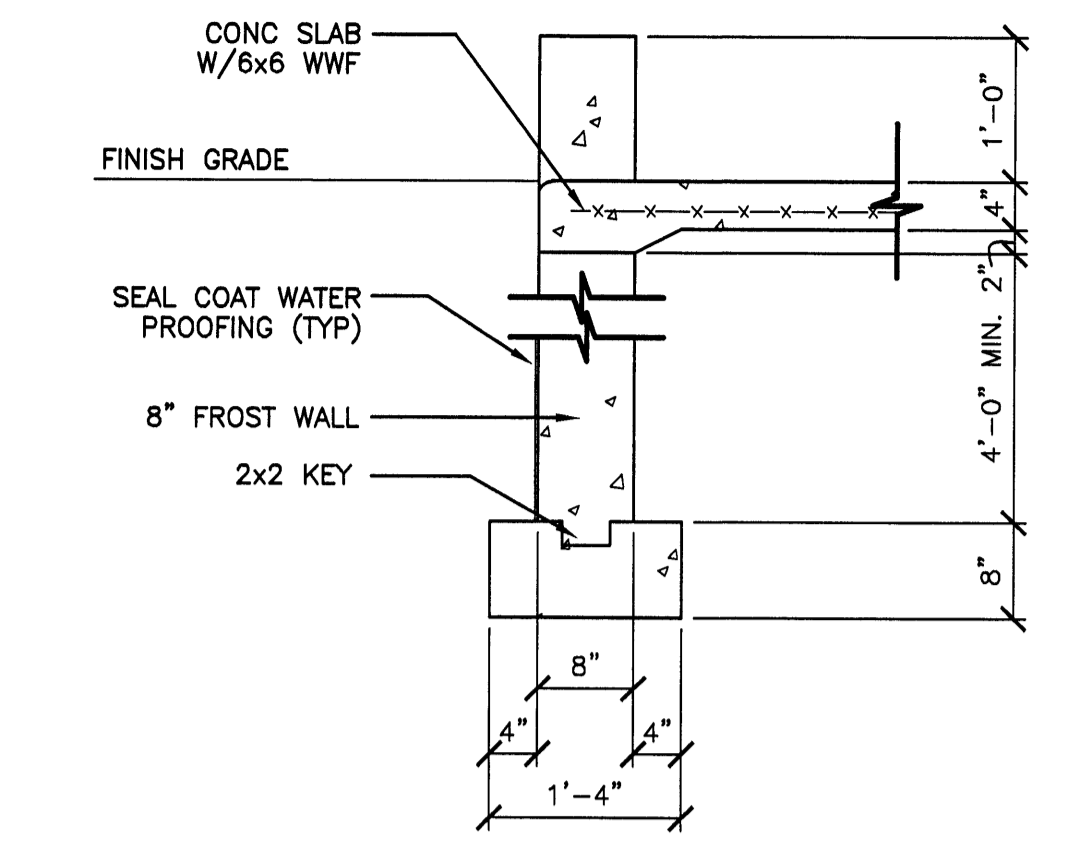
**4 FOOTING DETAIL**  
SCALE: 3/4"=1'-0"  
NOTE: SUBSTITUTE FOOTING AND WALL SIZES WITH PLAN CALL-OUT.



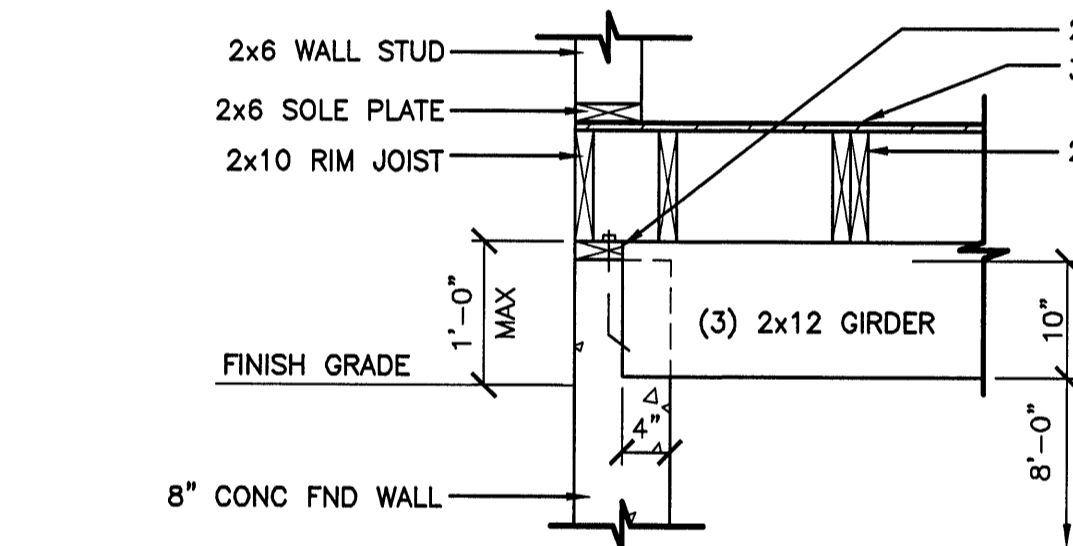
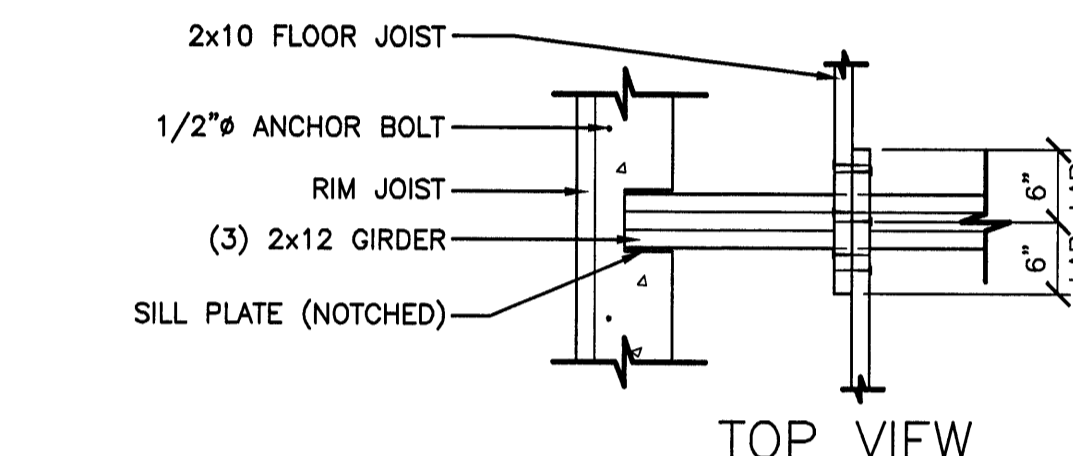
**5 COLUMN/GIRDER DETAIL**  
SCALE: 3/4"=1'-0"  
NOTE: SUBSTITUTE JOIST AND RAFTER SIZES WITH PLAN CALL-OUT.



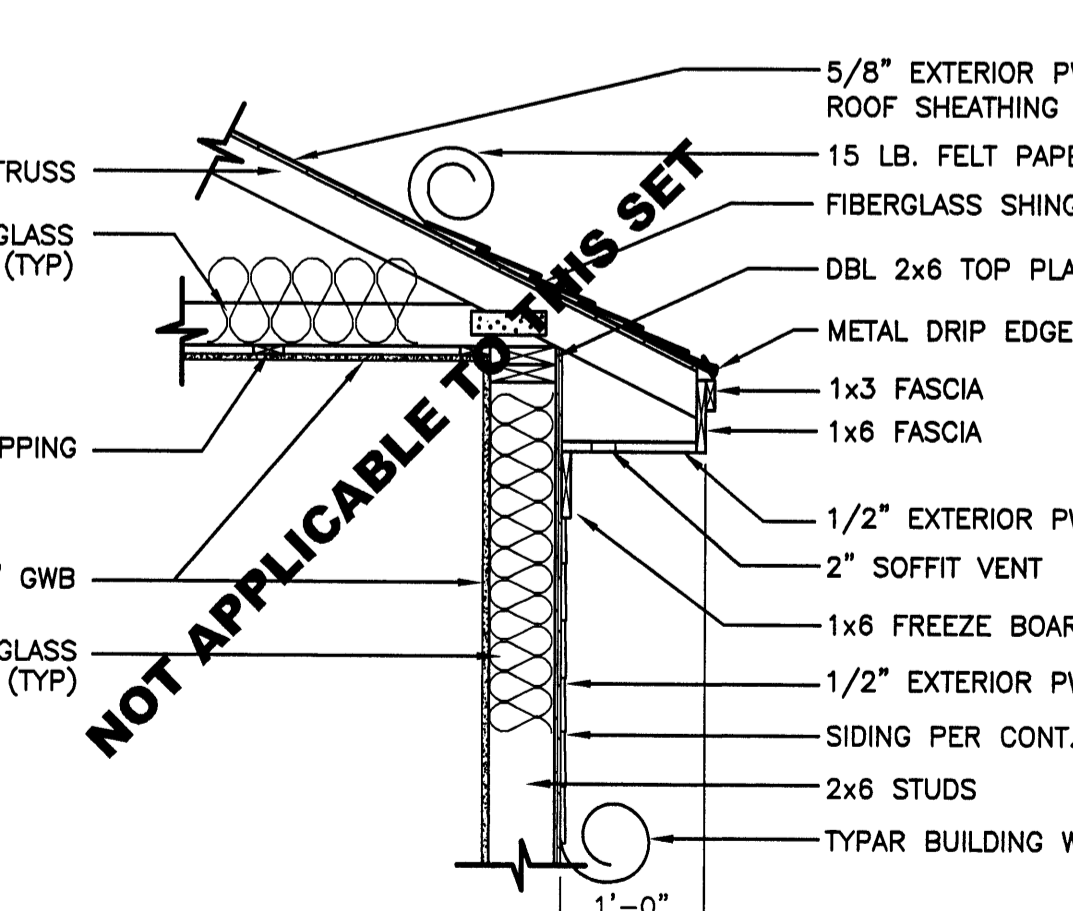
**6 COLUMN/GIRDER DETAIL**  
SCALE: 3/4"=1'-0"  
NOTE: 1. SUBSTITUTE JOIST AND RAFTER SIZES WITH PLAN CALL-OUT.  
2. OPTIONAL FRAMING - CONTRACTOR TO VERIFY WALL HEIGHTS.



**7 SLAB ON WALL DETAIL**  
SCALE: 3/4"=1'-0"  
NOTE: SUBSTITUTE FOOTING AND WALL SIZES WITH PLAN CALL-OUT.



**8 EXT. WALL GIRDER BRG DETAIL**  
SCALE: 3/4"=1'-0"  
NOTE: SUBSTITUTE FOOTING AND WALL SIZES WITH PLAN CALL-OUT.



**9 SOFFIT DETAIL**  
SCALE: 3/4"=1'-0"  
NOTE: SUBSTITUTE JOIST AND RAFTER SIZES WITH PLAN CALL-OUT.

**NOTE:**  
ALL DRAWINGS, PLANS, SKETCHES ETC. ARE PROVIDED TO OUR CLIENTS BASED UPON INFORMATION PROVIDED BY THE CLIENT AND DRAWN IN ACCORDANCE WITH COMMON BUILDING PRACTICES AND LOCAL CODES. NONE OF THE EMPLOYEES OF FMC CADD DRAFTING SERVICES, INC ARE REGISTERED ARCHITECTS, ENGINEERS OR LAND SURVEYORS. ALL DIMENSIONS AND SPECIFICATIONS SHOULD BE VERIFIED BY CLIENT AND/OR CONTRACTOR BEFORE ACTUAL CONSTRUCTION BEGINS. IF DIMENSIONS AND SPECIFICATIONS ARE NOT VERIFIED BY CLIENT AND/OR CONTRACTOR BEFORE ACTUAL CONSTRUCTION BEGINS FMC CADD DRAFTING SERVICES, INC WILL BE HELD HARMLESS. FMC CADD DRAFTING SERVICES, INC. ASSUMES NO LIABILITY FOR CHANGES AND/OR REVISIONS MADE TO PLANS BY CLIENT AND/OR CONTRACTOR.

REVISIONS	
CODE:	'99
PORTLAND	
DATE:	2/23/01
SCALE:	3/4"=1'-0"
DRAWN:	FMC/JR
FILE:	01-0090M
SHEET:	DS