

SUBMITTAL DATA: MSZ-FH15NA & MUZ-FH15NA
15,000 BTU/H WALL-MOUNTED HEAT PUMP SYSTEM

Job Name:	Location:	Date:
Purchaser:	Engineer:	
Submitted to:	For <input type="checkbox"/> Reference <input type="checkbox"/> Approval <input type="checkbox"/> Construction	
System Designation:	Schedule No.:	


GENERAL FEATURES

- Highly energy-efficient system that features 100% heating capacity at 5°F, 82% at -4°F, and 62% at -13°F
- Updated sleek, compact indoor unit design
- Includes Standard, Platinum Deodorizing, and Anti-allergy Enzyme filters for a complete air purifying system
- “Powerful Mode” function permits system to temporarily run at a lower/higher temperature with an increased fan speed, which quickly brings the room to the optimum comfort level
- Integrated i-see Sensor automatically adjusts the unit’s operation according to temperature differences detected between the floor and the intake air, ensuring optimum comfort and energy usage
- Hand-held Wireless Remote Controller
- Base heater is available as an option
- Limited warranty: five years parts and seven years compressors

ACCESSORIES
Outdoor Unit

- Base Heater (MAC-642BH-U)
- Three-pole Disconnect Switch (TAZ-MS303)
- Air Outlet Guide (MAC-856SG)
- Mounting Base (DSD-400N)
- Mounting Pad (ULTRILITE1)
- Drain Socket Assembly (MAC-860DS)

Indoor Unit

- Condensate Pump (BlueDiamond X87-711/721; 115/230V)
- Condensate Pump (Sauermann SI30-115/230; 115/230V)
- Replacement Platinum Deodorizing Filter (MAC-3000FT-E)
- Replacement Anti-allergy Enzyme Filter ((MAC-2330FT-E)

Controller Options

- Wireless Wall-mounted Remote Controller Kit (MHK1)*
- Portable Central Controller (MCCH1)*
- Outdoor Air Sensor (MOS1)*
- Wired Wall-mounted Controller (PAR-31MAA requires MAC-333IF)*
- Simple MA Remote Controller (PAC-YT53CRAU requires MAC-333IF)*

*See Submittal for information on each option.

- System Control Interface (MAC-333IF)
- Remote Temperature Sensor (M21-JKO-307)
- Lockdown Bracket for Hand-held Controller (RCMKP1CB)



SPECIFICATIONS : MSZ-FH15NA & MUZ-FH15NA

Cooling *1

Rated Capacity	15,000 Btu/h
Capacity Range	6,450 - 19,000 Btu/h
Rated Total Input	1,200 W
Maximum Total Input	2,200 W
SEER	22.0 Btu/h/W

Heating at 47° F *2

Rated Capacity	18,000 Btu/h
Capacity Range	5,150 - 24,000 Btu/h
Rated Total Input	1,300 W
Maximum Total Input	3,360 W
HSPF	12.0 Btu/h/W

Heating at 17° F *3

Rated Capacity	11,000 Btu/h
Maximum Capacity	18,000 Btu/h
Rated Total Input	1,020 W
Maximum Total Input	2,480 W

Heating at 5° F

Maximum Capacity	18,000 Btu/h
Maximum Total Input	3,000 W

Rating Conditions:

- *1 Cooling | Indoor: 80° F (27° C) DB / 67° F (19° C) WB
- *1 Cooling | Outdoor: 95° F (35° C) DB / 75° F (24° C) WB
- *2 Heating at 47°F | Indoor: 70° F (21° C) DB / 60° F (16° C) WB
- *2 Heating at 47°F | Outdoor: 47° F (8° C) DB / 43° F (6° C) WB
- *3 Heating at 17° F | Indoor: 70° F (21° C) DB / 60° F (16° C) WB
- *3 Heating at 17° F | Outdoor: 17° F (-8° C) DB / 15° F (-9° C) WB
- *4 Heating at 5° F | Indoor: 70° F (21° C) DB / 60° F (16° C) WB
- *4 Heating at 5° F | Outdoor: 5° F (-15° C) DB / 5° F (-15° C) WB

Electrical Requirements

Power Supply	208 / 230V, 1-Phase, 60 Hz
Breaker Size	20 A

Voltage

Indoor - Outdoor S1-S2	AC 208 / 230V
Indoor - Outdoor S2-S3	DC +/- 24V
Indoor - Remote Controller	MKH1 DC 3V
	PAR-31MAA DC 12V
	PAC-YT53CRAU DC 12V

Operating Conditions

Cooling

Indoor Intake Air Temp. . . (Max.)	90° F (32° C) DB / 73° F (23° C) WB
	(Min.) 67° F (19° C) DB / 57° F (14° C) WB

Outdoor Intake Air Temp. (Max.)	115° F (46° C) DB
	(Min.) 14° F (-10° C) DB

Heating

Indoor Intake Air Temp. . . (Max.)	80° F (27° C) DB / 67° F (19° C) WB
	(Min.) 70° F (21° C) DB / 60° F (16° C) WB

Outdoor Intake Air Temp. (Max.)	75° F (24° C) DB / 65° F (18° C) WB
	(Min.) -13° F (-25° C) DB / -15° F (-26° C) WB**

** System cuts out at -18° F (-28° C) to avoid thermistor error, but recovers from cutout operation and automatically restarts at -13° F (-25° C).

Indoor Unit

MCA	1.0 A
Blower Motor (ECM).....	0.67 F.L.A.
Blower Motor Output	30 W

Airflow (Lo - Med - Hi - Super Hi - Powerful)

Cooling	225-262-304-355-411 Dry CFM
	194-225-261-305-354 Wet CFM
Heating	201-254-317-394-497 Dry CFM

Sound Pressure Level (Lo - Med - Hi - Super Hi - Powerful)

Cooling	27-31-35-39-44 dB(A)
Heating	25-29-34-39-46 dB(A)

External Finish Color

Munsell 1.0Y 9.2/0.2

External Dimensions

Inches.....	12 + 11/16 H x 36-7/16 W x 9-3/16 D
mm:	305 +17 H x 925 W x 234 D

Weight Unit

29 lbs. / 12 kg

Field Drainpipe Size O.D.

19/32 In. / 15mm

Outdoor Unit

MCA	16 A
Fan Motor (ECM)	0.93 F.L.A.

Sound Pressure Level

Cooling *1.....	51 dB(A)
Heating *2	55 dB(A)

External Finish Color

Munsell 3Y 7.8/1.1

Dimensions

Inches.....	34-5/8 H x 33-1/16 W x 13 D
mm:	880 H x 840 W x 330

Weight

124 lbs. / 56 kg

Refrigerant Type

R410A

Refrigerant Pipe

Gas Side O.D.	1/2" x 12.7 mm
Liquid Side O.D.	1/4" x 6.35 mm

Refrigerant Pipe Length

Height Difference (Max.)	50' x 15m
Length (Max.)	100' x 30m

Connection Method

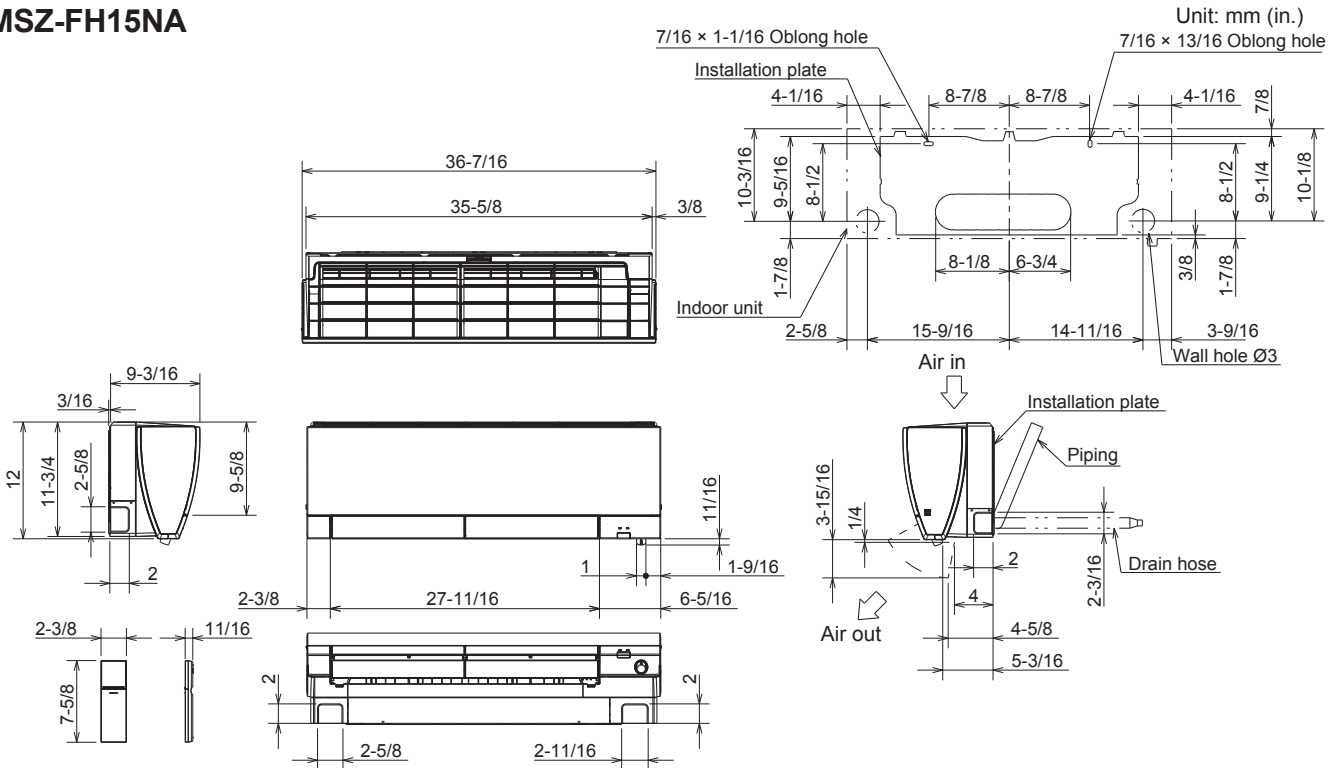
Indoor/Outdoor

Flared

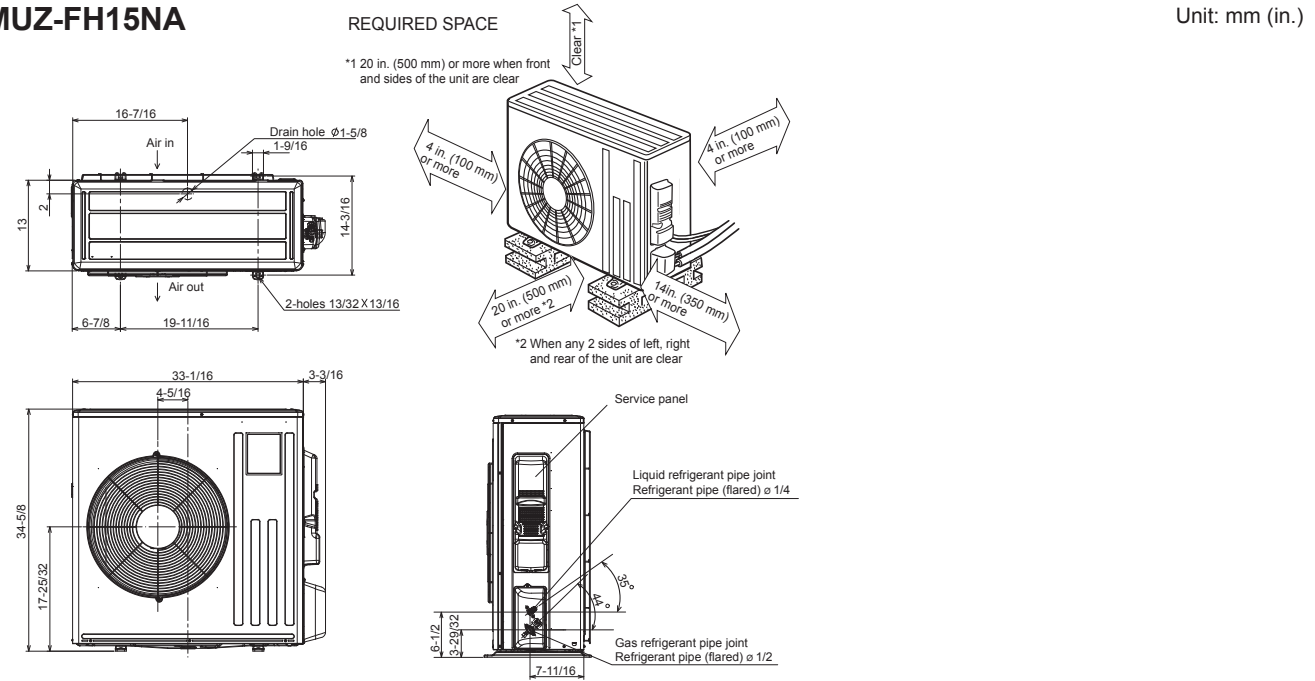
Notes:

DIMENSIONS: MSZ-FH15NA & MUZ-FH15NA

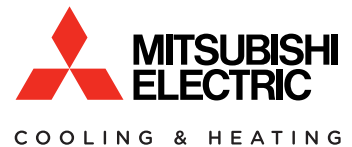
MSZ-FH15NA



MUZ-FH15NA



Intertek



1340 Satellite Boulevard
 Suwanee, GA 30024
 Tele: 678-376-2900 • Fax: 800-889-9904
 Toll Free: 800-433-4822
 www.mehvac.com