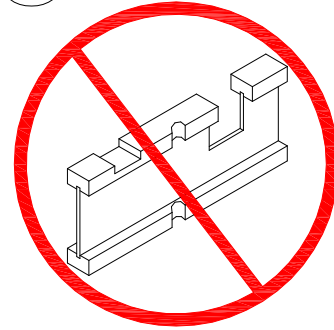
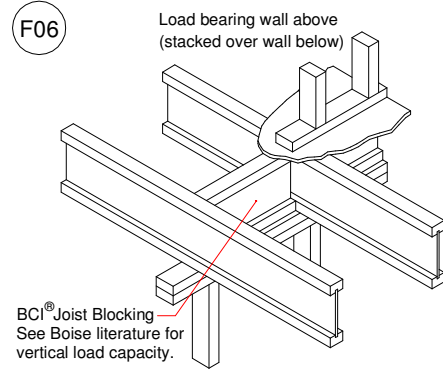


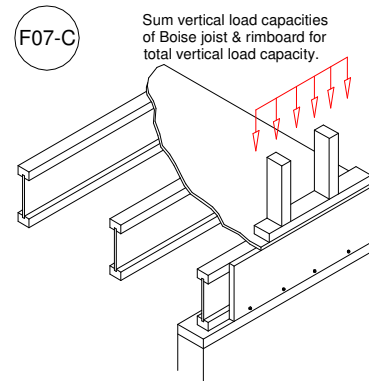
DN01 DO NOT cut, notch or drill flanges



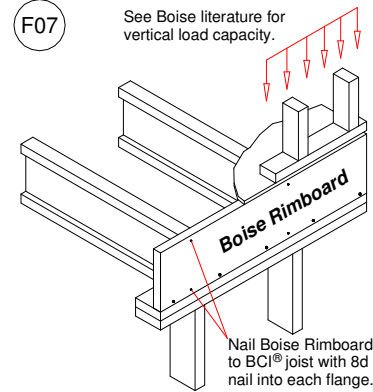
F06



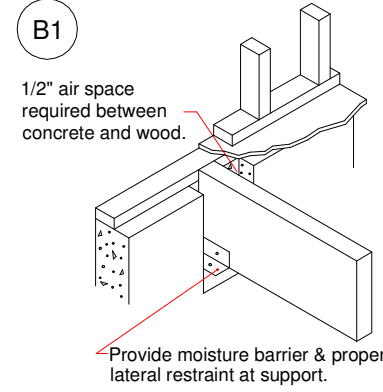
F07-C



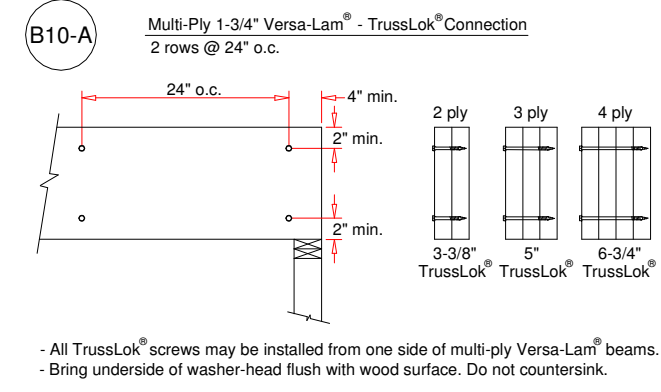
F07



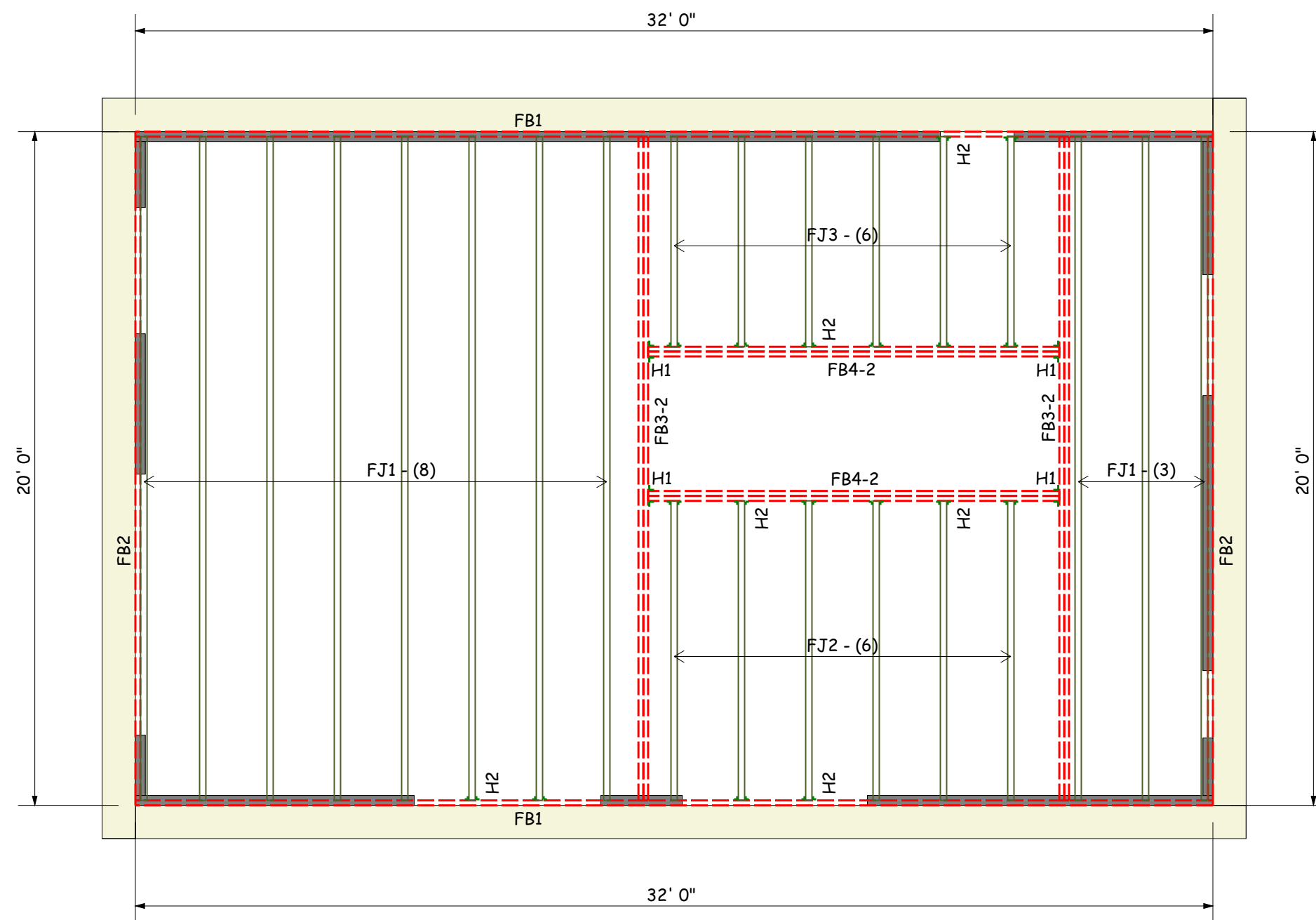
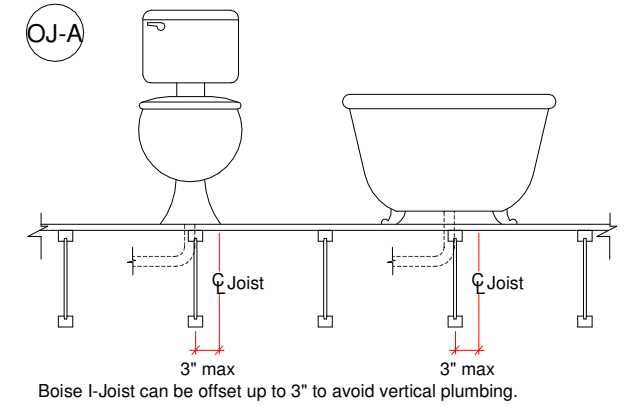
B1



B10-A

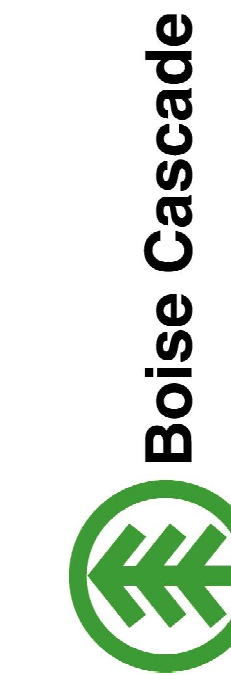


OJ-A



Products					
PlotID	Net Qty	Product	Length	Plies	
FB1	2	1-3/4" x 11-7/8" VERSA-LAM® 2.0 3100 SP	32' 0"	1	
FB2	2	1-3/4" x 11-7/8" VERSA-LAM® 2.0 3100 SP	20' 0"	1	
FB3-2	4	1-3/4" x 11-7/8" VERSA-LAM® 2.0 3100 SP	20' 0"	2	
FB4-2	4	1-3/4" x 11-7/8" VERSA-LAM® 2.0 3100 SP	14' 0"	2	
FJ1	11	11-7/8" BCI® 60s-2.0 SP	20' 0"	1	
FJ2	6	11-7/8" BCI® 60s-2.0 SP	10' 0"	1	
FJ3	6	11-7/8" BCI® 60s-2.0 SP	8' 0"	1	

Connector Summary				
PlotID	Qty	Manuf	Product	Flange
H1	4	NA	HHUS410	None
H2	18	NA	IUS2.37/11.88	None



Boise Cascade

SALES PRESENTATION DRAWING
 No structural or dimensional check has been made of this design drawings of the building, therefore purchaser is to check and approve all dimensions, quantities, loads, and details carefully. This drawing has not been check by Boise Engineering.

760 Ocean Ave
 Portland, ME
 Hancock Lumber

BC FRAMER
 File:12589
 By: JMP
 Date: 02/25/2013

DESIGN CRITERIA			
DEFLECTION LIMITS		FLOOR LOADS	
Live Load	L/480	Live Load	40 psf
Total Load	L/240	Dead Load	10 psf
Design assumes 4% load sharing and sheathing is glued and nailed			

Boise Cascade
 270 Ocean Rd
 Greenland, NH 03840
 Sheet: 1/1

Boise Cascade now offers:
Trex Elevations™
 STEEL DECK FRAMING