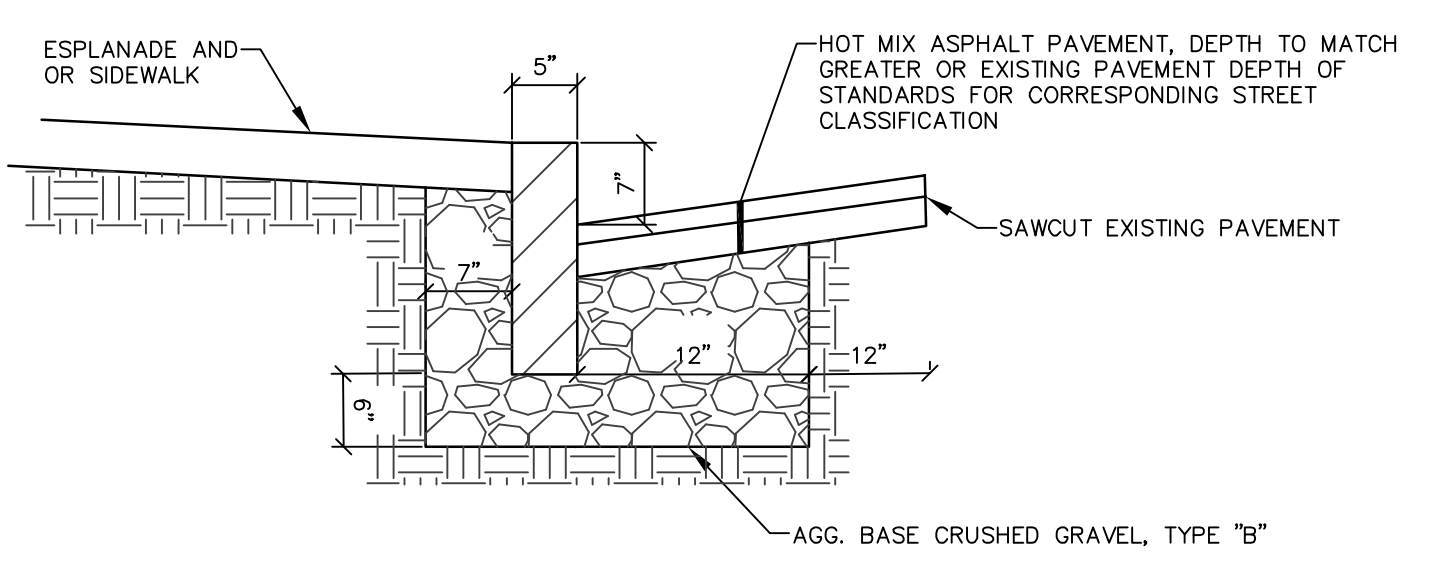
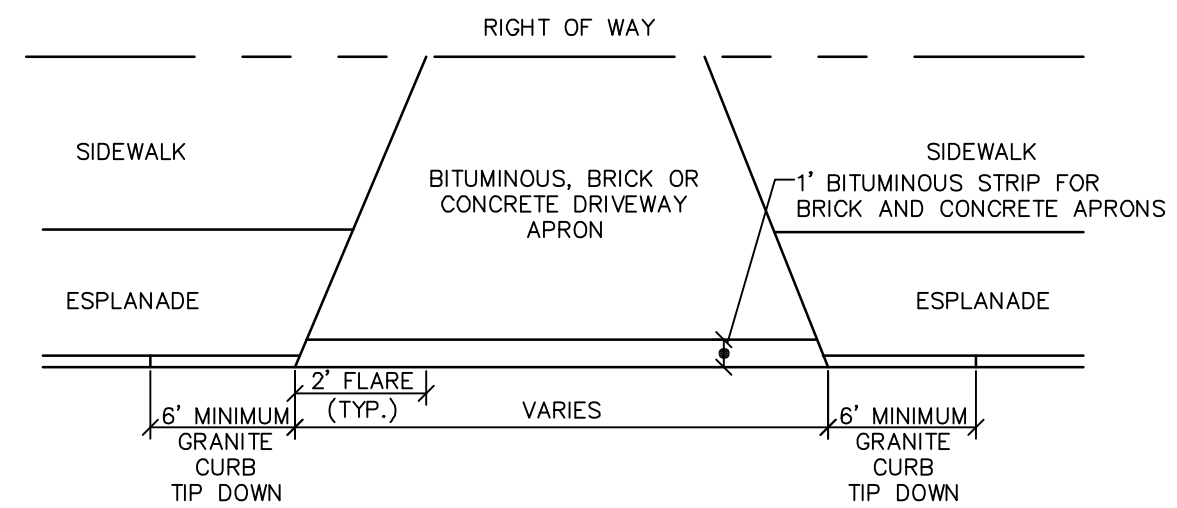


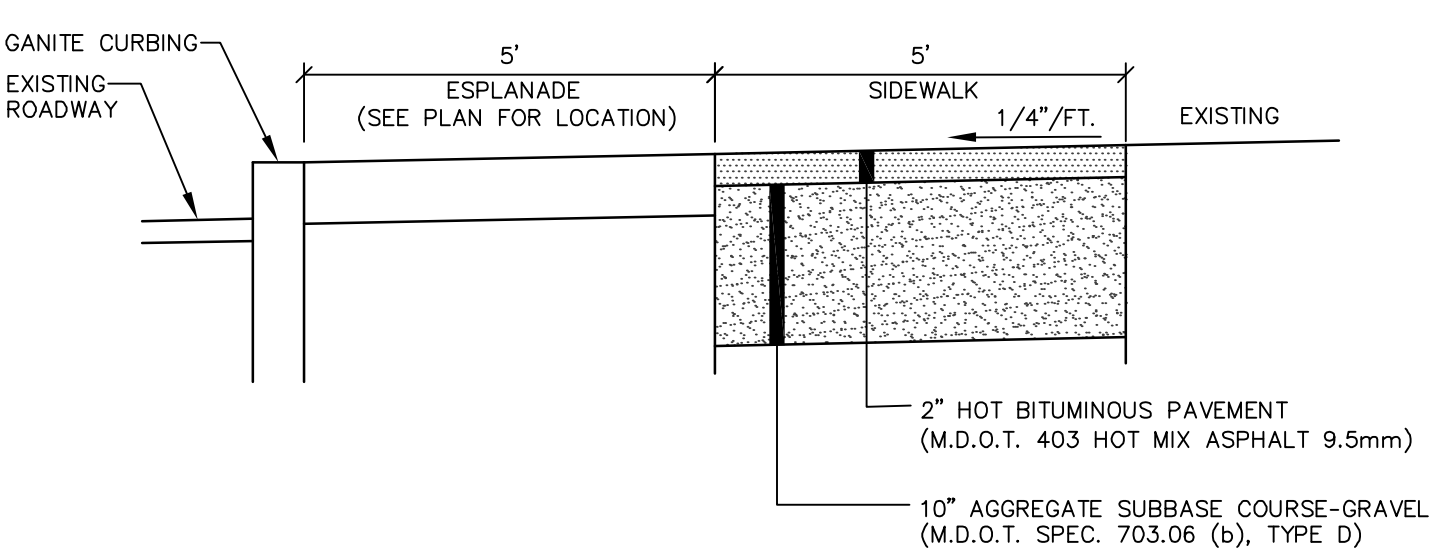
VERTICAL GRANITE CURB PLAN VIEW



VERTICAL GRANITE CURB INSTALLATION IN EXISTING STREETS  
NOT TO SCALE

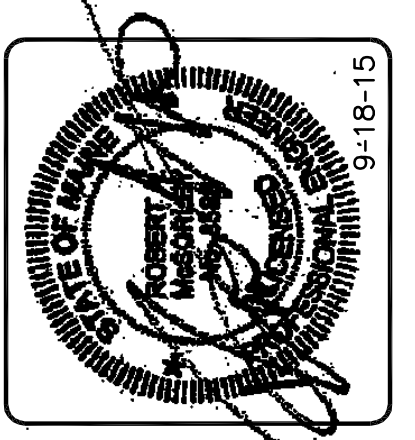


DRIVEWAY APRON LAYOUT  
NOT TO SCALE



BITUMINOUS SIDEWALK  
NOT TO SCALE

EXISTING	PROPOSED
---	---
---	---
---	---
---	---
---	---
---	---
---	---
---	---
---	---
---	---
---	---
---	---
---	---
---	---
---	---
---	---
---	---
---	---
---	---
---	---



DESIGNED	CHECKED
PDO	RAM

A: RAM 9-18-15 PLAN SUBMISSION TO CITY OF PORTLAND  
 REV: BY: DATE: STATUS:  
 THIS PLAN SHALL NOT BE MODIFIED WITHOUT WRITTEN PERMISSION FROM SEBAGO TECHINCS, INC. ANY ALTERATIONS AUTHORIZED OR OTHERWISE, SHALL BE AT THE USER'S SOLE RISK AND WITHOUT LIABILITY TO SEBAGO TECHINCS, INC.

**SEBAGO**  
 TECHNICS  
 WWW.SEAGOTECHNICS.COM  
 75 John Roberts Rd., Suite B 04240  
 South Portland, ME 04106  
 Tel: 207-200-2100 Tel: 207-783-5656

OCEAN AVENUE SIDEWALK PLAN  
 OF: PORTLAND RETIREMENT RESIDENCE  
 802 OCEAN AVENUE  
 PORTLAND, ME  
 FOR: HAWTHORN DEVELOPMENT GROUP, LLC  
 9310 NE VANCOUVER MALL DR., STE200  
 VANCOUVER, WA 98662-8210

14432OCEAN SIDEWALK.dwg, TAB: OCEAN\_AVE SIDEWALK