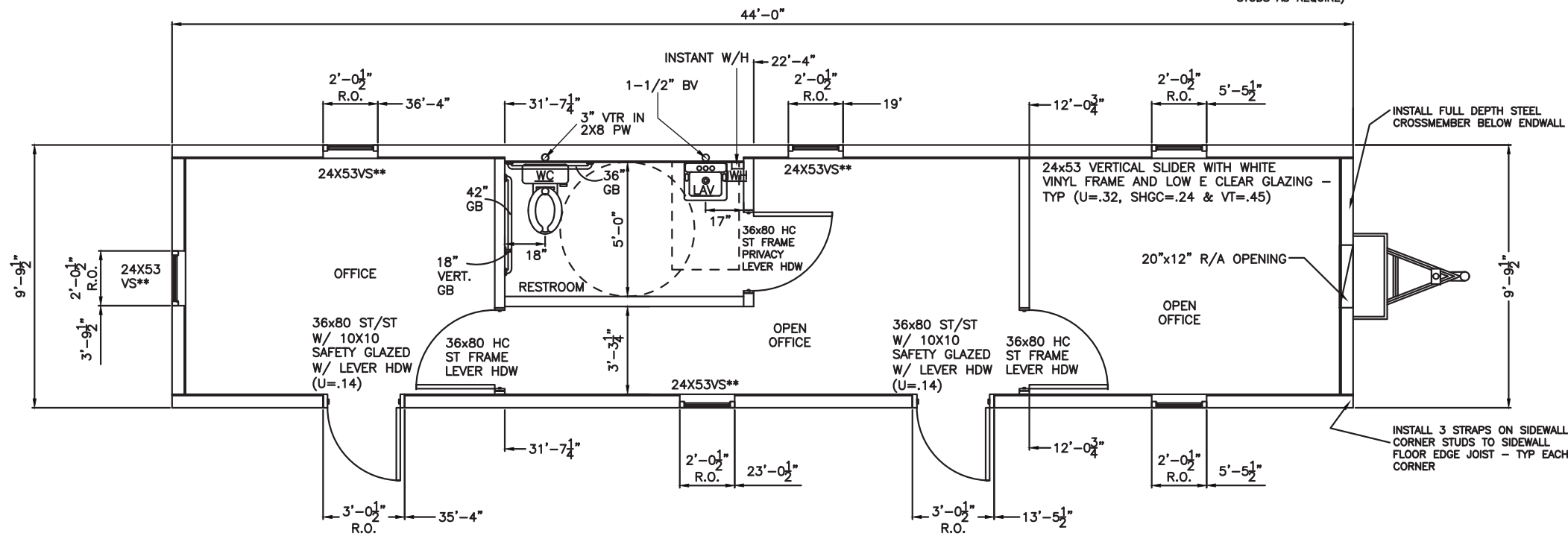
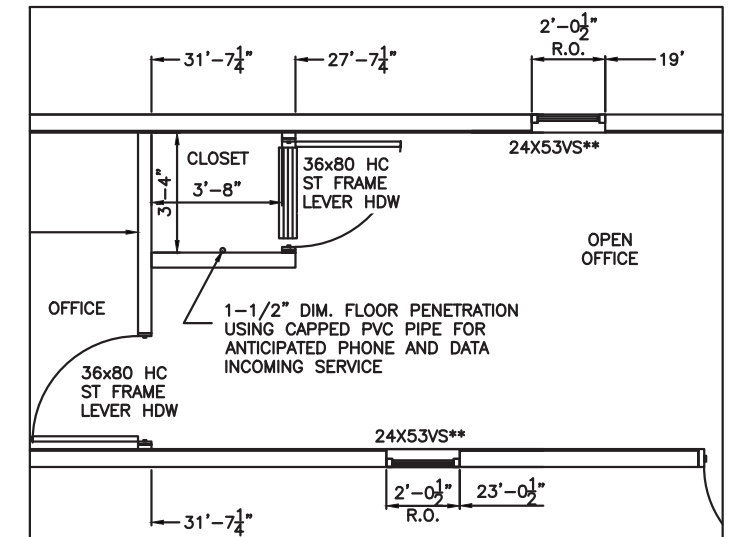


TO COMPLY WITH CONNECTICUT CODE, A FLIP DOWN GRAB BAR MUST BE INSTALLED, SEE PLAN FOR LOCATION(S) - ADDITIONAL BLOCKING ON SITE WILL BE REQUIRED

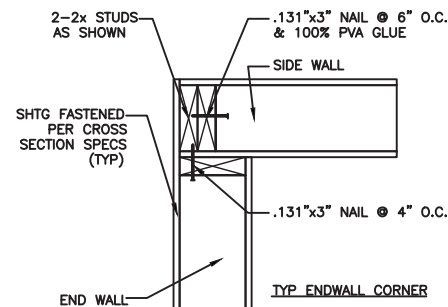
**INSTALL 3 STRAPS FROM STUDS ON EACH SIDE OF THE WALL R/A ROUGH OPENING AND WINDOW OPENING TO THE FLOOR EDGE JOIST (USE OVERSTRAPPING; ADD STUDS AS REQUIRE)



DIMENSIONAL PLAN



DIMENSIONAL PLAN
OPTIONAL WITHOUT RESTROOM

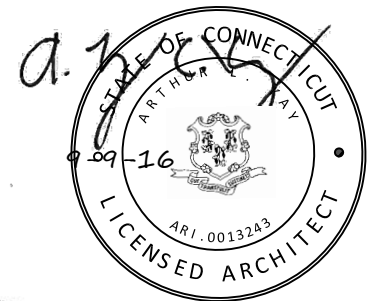


ENDWALL INTERSECTION DETAILS

SCALE: 3/4" = 1'-0"



APPROVED
09 09 2016



FOR CONNECTICUT

ARTHUR L. KAY, R.A.
5521 TERRAIN DE GOLF DRIVE
LUTZ, FL 33558

PROFESSIONAL CERTIFICATION:
I HEREBY CERTIFY THAT THESE DOCUMENTS WERE PREPARED OR APPROVED BY ME, AND THAT I AM A DULY LICENSED PROFESSIONAL ENGINEER UNDER THE LAWS OF THE STATE OF MARYLAND, LICENSE NO. 8588
EXPIRATION DATE: 6-6-18

<p>ModSpace OWNERSHIP OF DOCUMENTS THIS DOCUMENT AND THE IDEAS AND DESIGNS INCORPORATED HEREIN, AS AN INSTRUMENTS OF SERVICE, IS THE PROPERTY OF MODULAR SPACE CORPORATION (MODSPACE) AND IS NOT TO BE USED, IN WHOLE OR IN PART FOR ANY OTHER PROJECT WITHOUT THE WRITTEN PERMISSION OF MODULAR SPACE CORPORATION</p>	<p>MODULAR SPACE CORPORATION CORPORATE OFFICE: 1200 SWEDESFORD ROAD., BERWYN, PA 19312 MANUFACTURING PLANT: 60 INDUSTRIAL ROAD, ELIZABETHTOWN, PA 17022</p>		<p>DATE: 8-18-16 CODES: MULTI STATE LABELS: SCALE: MTS</p>	<p>REVISIONS: BUS CHECKED BY:</p>
	<p>PLAN NO. 1005-1044 (Sheet - 1E)</p>	<p>SHEET 4 OF 10</p>	<p>REVISIONS:</p>	<p>REVISIONS:</p>