



THE PLANS, SPECS & DETAILS SHOWN ON THESE DRAWINGS ARE THE PROPERTY OF R & S TAVARES ASSOCIATES, DEVED SOLELY FOR THIS CONTRACT. THESE PLANS SHALL NOT BE USED IN WHOLE OR IN PART FOR ANY OTHER PROJECT WITHOUT THE EXPRESS WRITTEN CONSENT OF R & S TAVARES ASSOCIATES ©

REVISION

PROFESSIONAL STAMP

PROJECT TITLE

COMPLETE ACCESS STAIRS & RAMPS
CODE: IBC 2006, 2007 UBC

SHEET TITLE
RAMP

FLOOR PLAN VIEW & DETAILS

PROJECT NUMBER

10027

DRAWN BY

ST

CHECKED BY

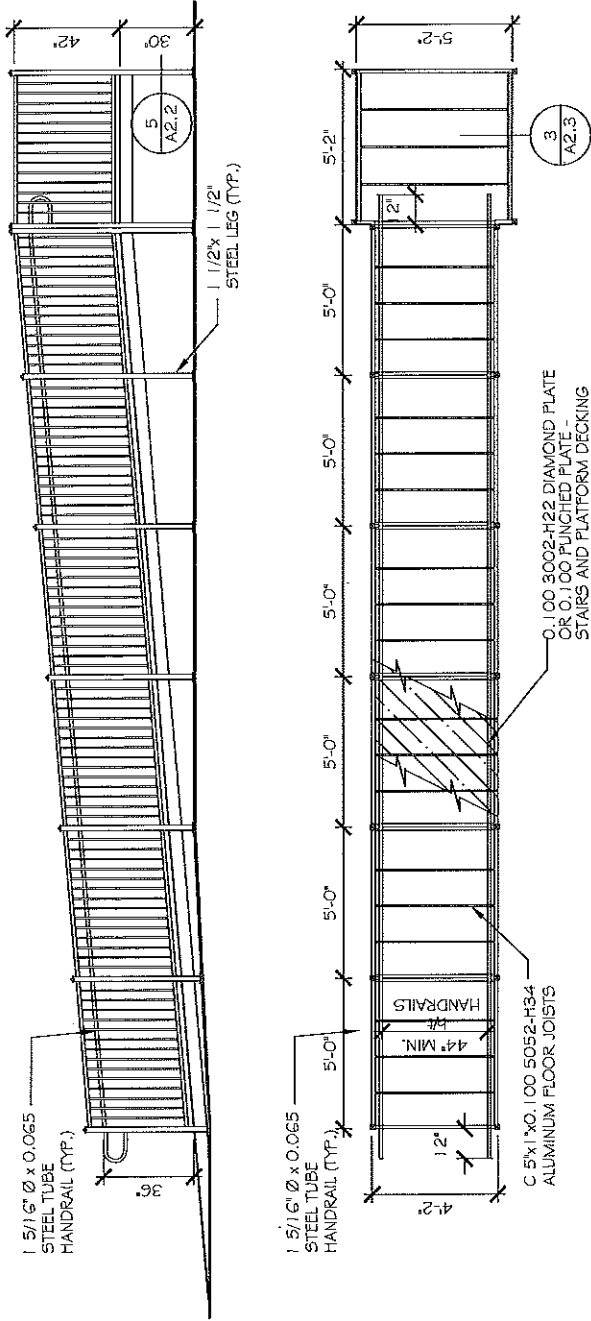
RT

DATE

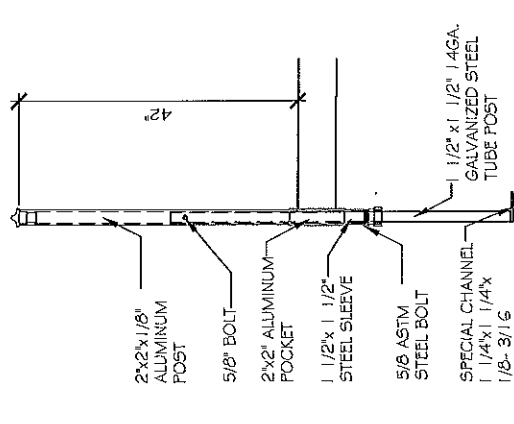
05-14-2010

SHEET NO.

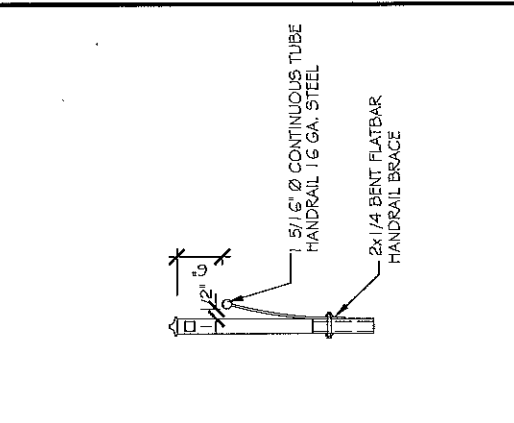
A2.0



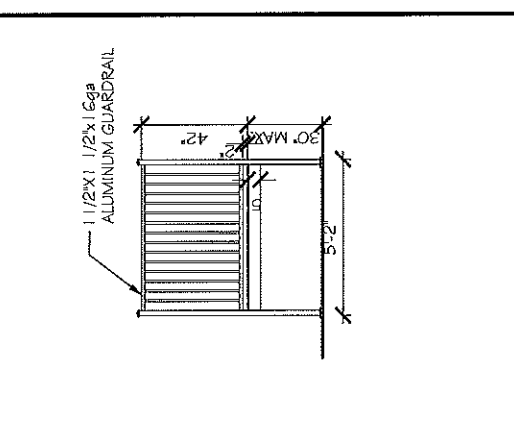
1 RAMP FLOOR PLAN AND SIDE VIEW SCALE: 1/2" = 1'-0"



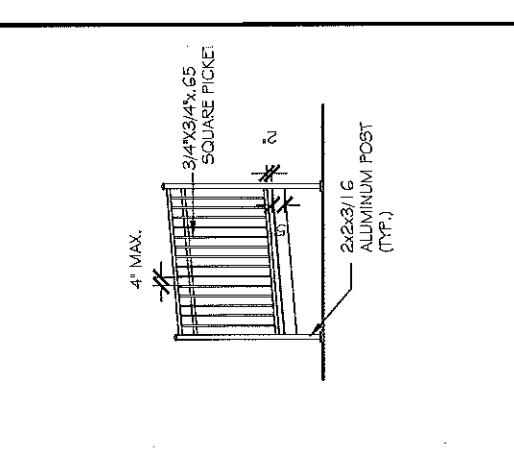
5 POST DETAIL SCALE: 3/4" = 1'-0"



4 HANDRAIL DETAIL SCALE: 3/4" = 1'-0"



3 RAMP LANDING RAIL SCALE: 1/4" = 1'-0"



2 RAMP SIDE RAIL SCALE: 1/4" = 1'-0"