

14 FT. TRASH ENCLOSURE GATE  
(2) REQUIRED: (1) AS SHOWN (1) OPPOSITE HAND

MARK	QTY	MATERIAL	LENGTH	NOTE
T-1	2	2" x 14 GA SQ. TUBE	5'-5"	
T-2	2	2" x 14 GA SQ. TUBE	5'-5"	
T-3	4	1-1/4" x 14 GA SQ. TUBE	5'-5"	
T-4	4	2" x 14 GA SQ. TUBE	2-3-3/4"	COPE TO FIT PIPE (P-1)
T-5A	2	1-1/4" x 14 GA SQ. TUBE	5'-8-1/4"	
T-5B	4	1-1/4" x 14 GA SQ. TUBE	2'-9-3/8"	
P-1	2	3" SCHED 40 PIPE	5'-8-1/4"	WELD 3/16" SHIMS TO PIPE
P-2	2	4" SCHED 40 PIPE	5'-6"	
P-3	2	3/4" BLACK PIPE	2'-0"	

QUANTITIES SHOWN ARE FOR BOTH GATES

14 FT. TRASH ENCLOSURE GATE - CONT.

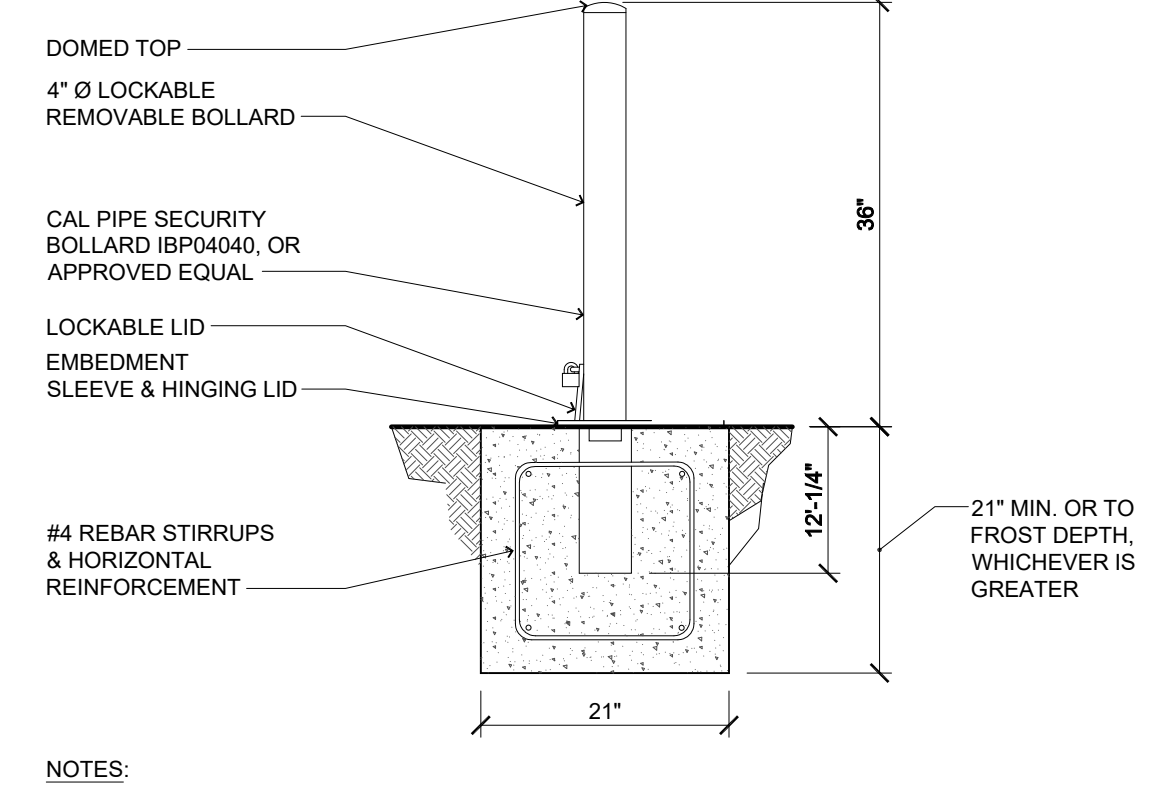
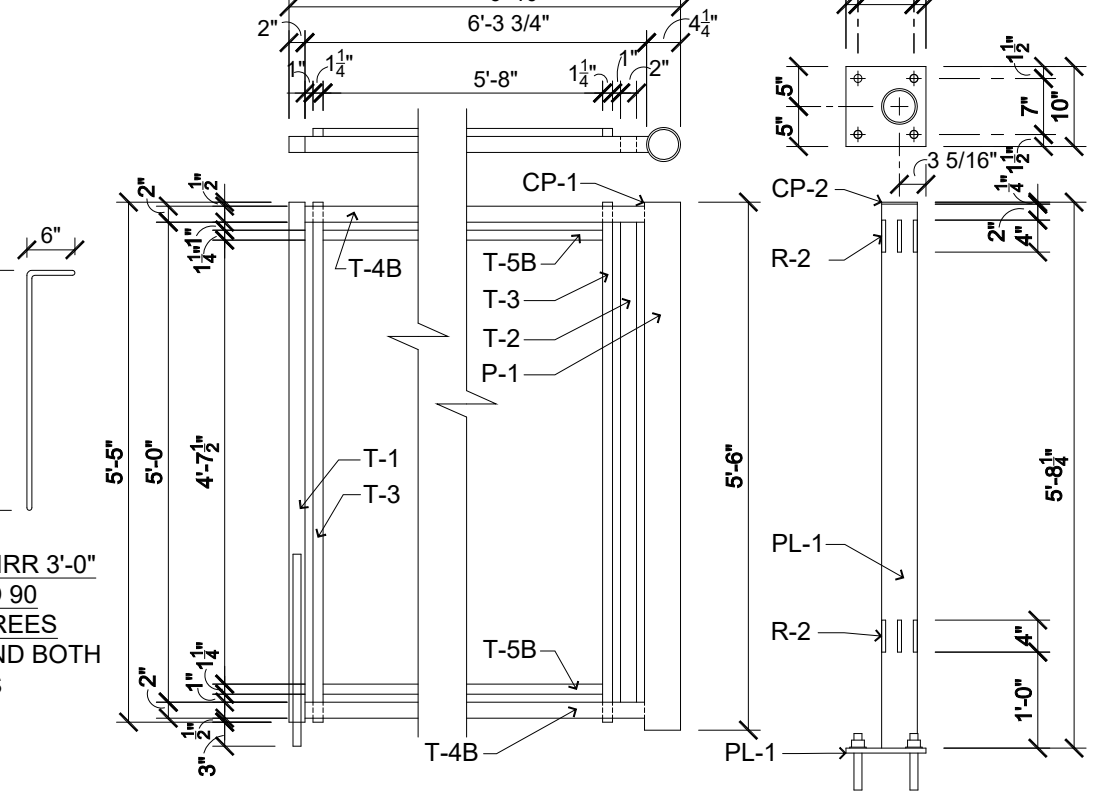
MARK	QTY	MATERIAL	LENGTH	NOTE
PL-1	2	5/8" x 10" PLATE	(4) 1" DIA. HOLES	
PL-2	2	1/4" x 3-1/2" FLAT	3-1/2" DIA.	
R-1	2	5/8" HRR	3'-3"	BEND 90 DEGREES
R-2	24	3/16" ROUND	0'-4"	TACK WELD TO P-1
CP-1	2	1/4" x 4-1/4" DIA. FLAT	4-1/4" DIA.	
CP-2	2	1/4" x 3-1/4" DIA. FLAT	3-1/4" DIA.	

QUANTITIES SHOWN ARE FOR BOTH GATES

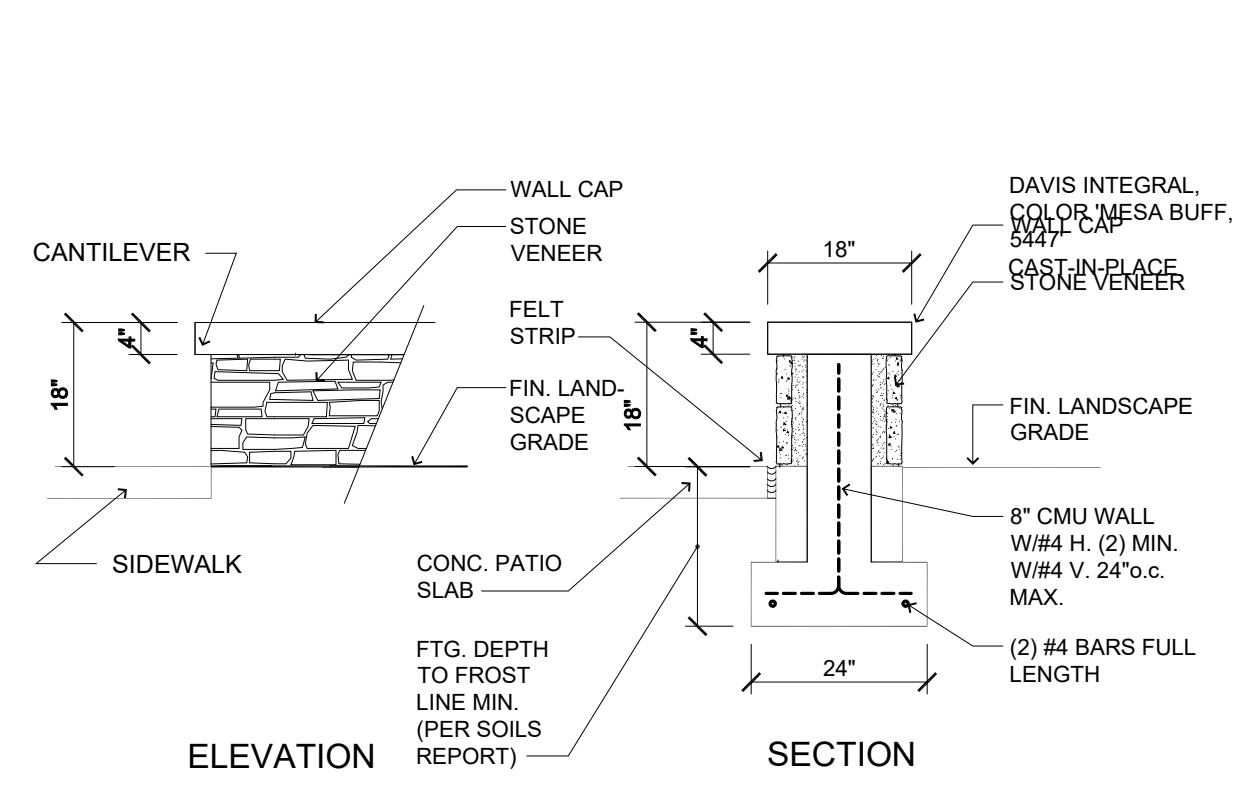
6 FT. TRASH ENCLOSURE GATE  
(2) REQUIRED: (1) AS SHOWN (1) OPPOSITE HAND

MARK	QTY	MATERIAL	LENGTH	NOTE
T-1	2	2" x 14 GA SQ. TUBE	5'-5"	
T-2	2	2" x 14 GA SQ. TUBE	5'-5"	
T-3	4	1-1/4" x 14 GA SQ. TUBE	5'-5"	
T-4	4	2" x 14 GA SQ. TUBE	2-3-3/4"	COPE TO FIT PIPE (P-1)
T-5	4	1-1/4" x 14 GA SQ. TUBE	1'-8"	
P-1	2	3" SCHED 40 PIPE	5'-8-1/4"	WELD 3/16" SHIMS TO PIPE
P-2	2	4" SCHED 40 PIPE	5'-6"	
P-3	2	3/4" BLACK PIPE	2'-0"	
PL-1	2	5/8" x 10" PLATE	(4) 1" DIA. HOLES	
PL-2	2	1/4" x 3-1/2" FLAT	3-1/2" DIA.	
R-1	2	5/8" HRR	3'-3"	BEND 90 DEGREES
R-2	24	3/16" ROUND	0'-4"	TACK WELD TO P-1
CP-1	2	1/4" x 4-1/4" DIA. FLAT	4-1/4" DIA.	
CP-2	2	1/4" x 3-1/4" DIA. FLAT	3-1/4" DIA.	

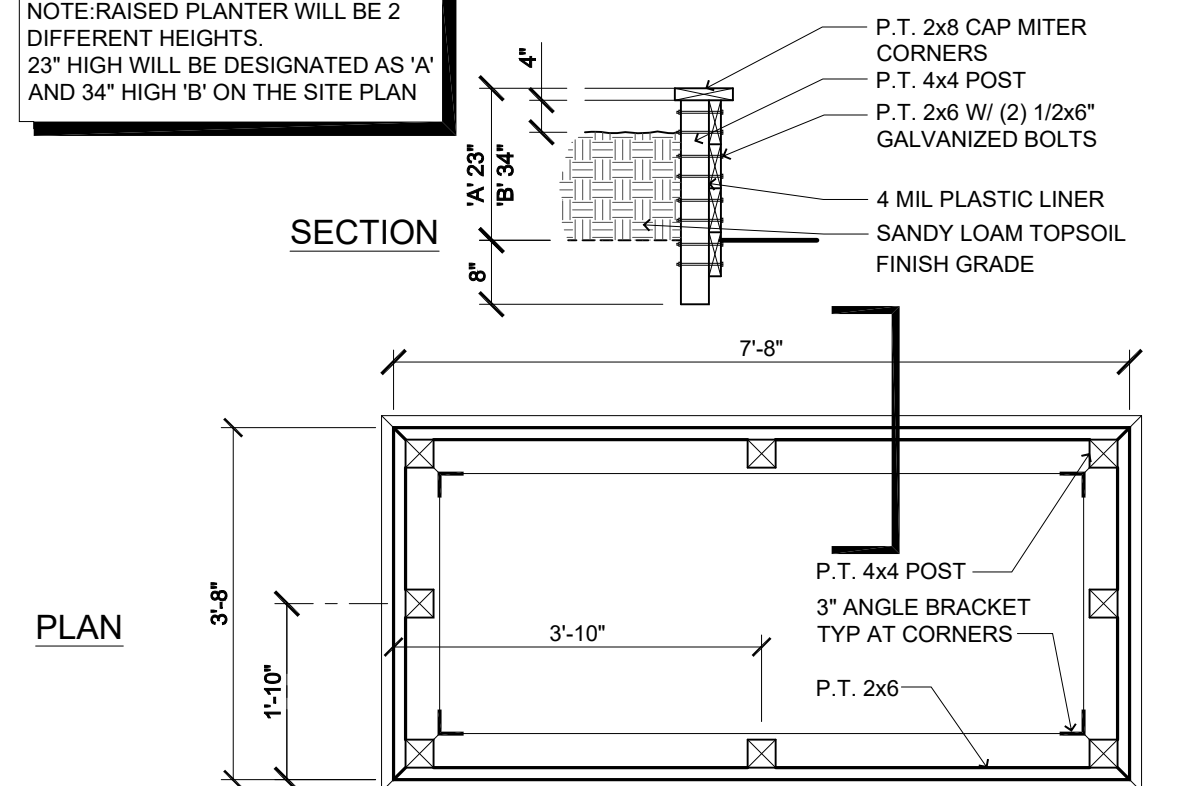
QUANTITIES SHOWN ARE FOR BOTH GATES



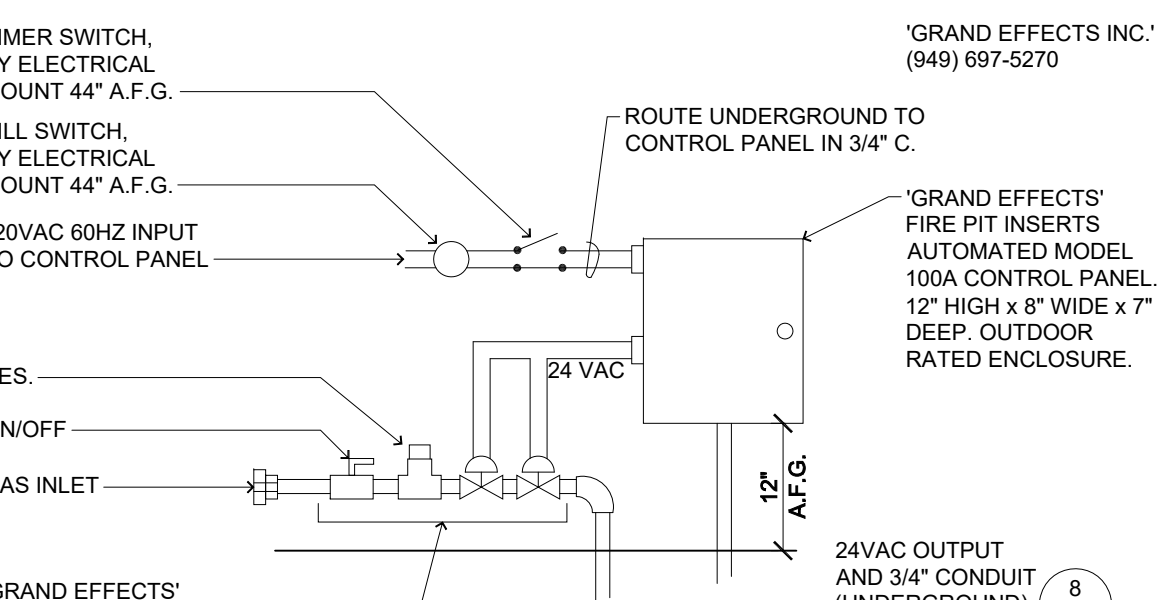
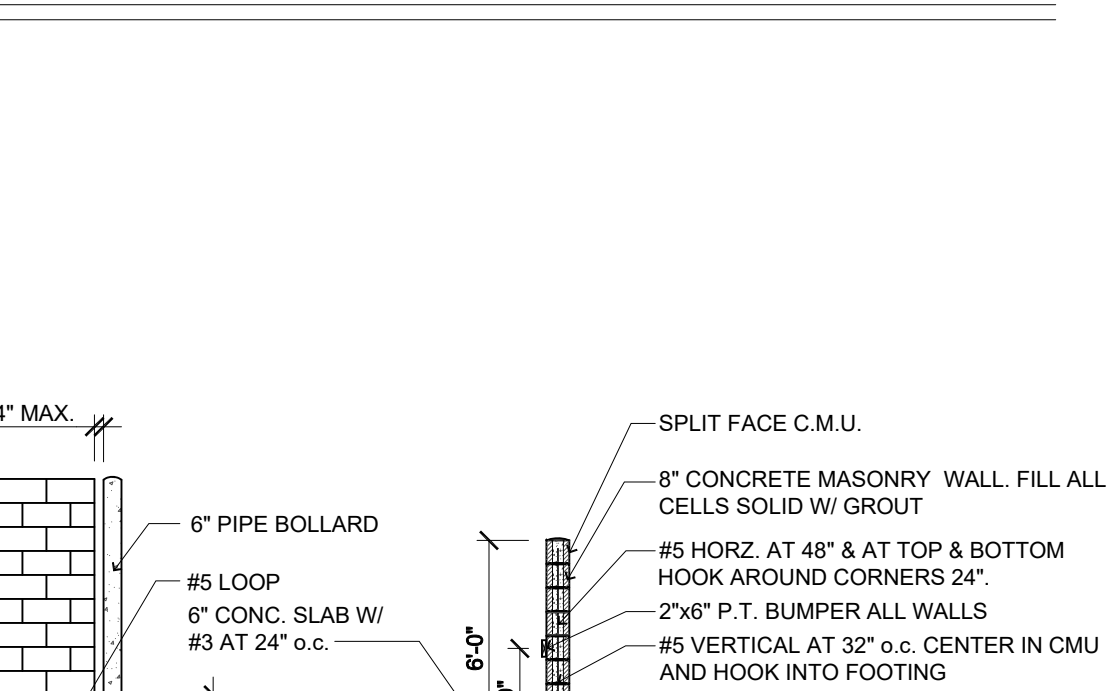
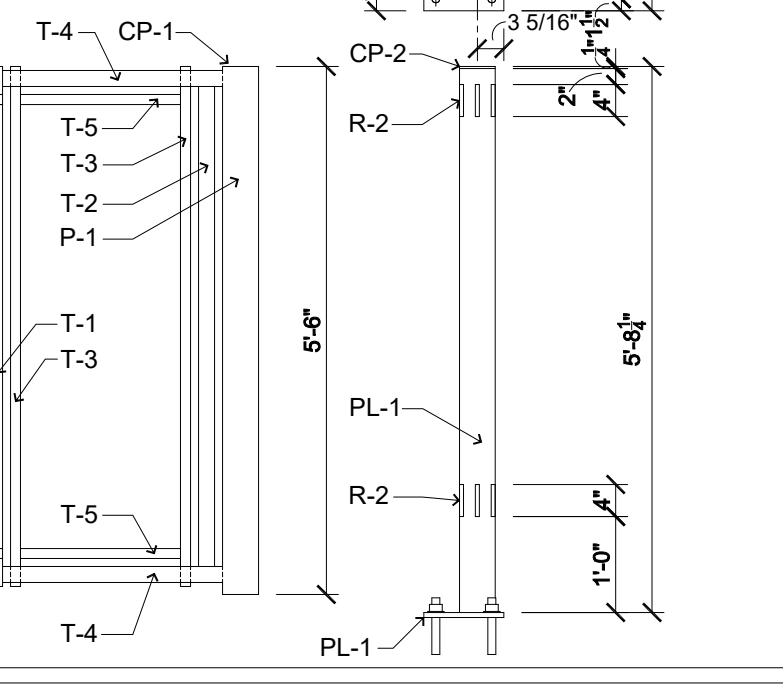
**13 BOLLARD (LOCKABLE / REMOVABLE)**  
SCALE: N.T.S.



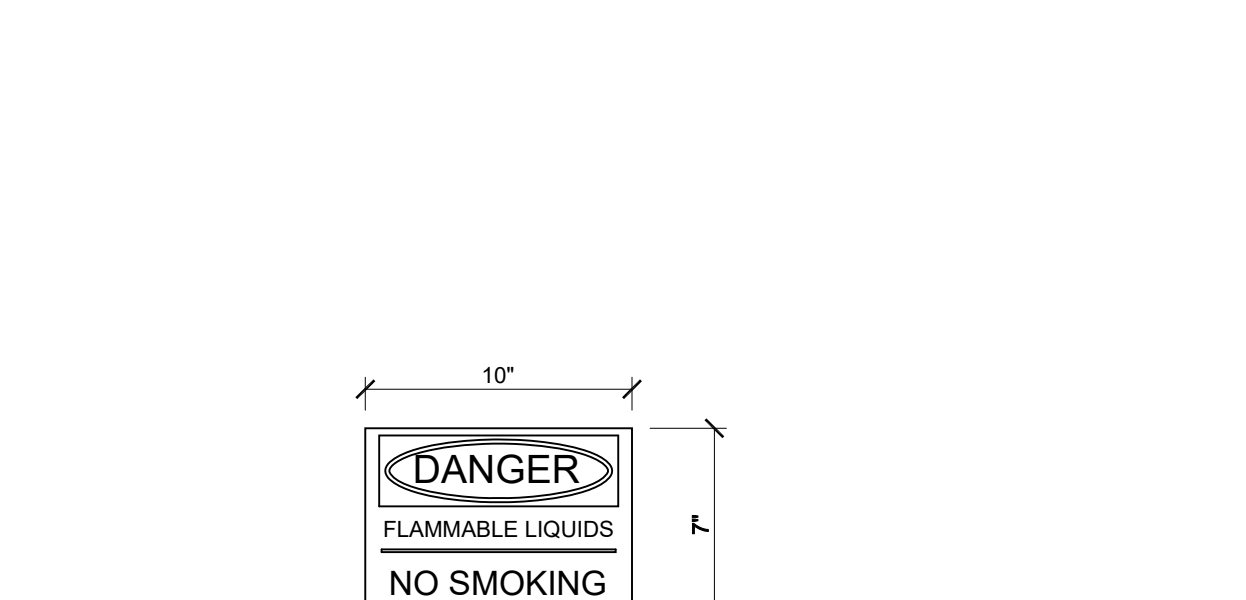
**7 BENCH WALL**  
SCALE: 1/2" = 1'-0"



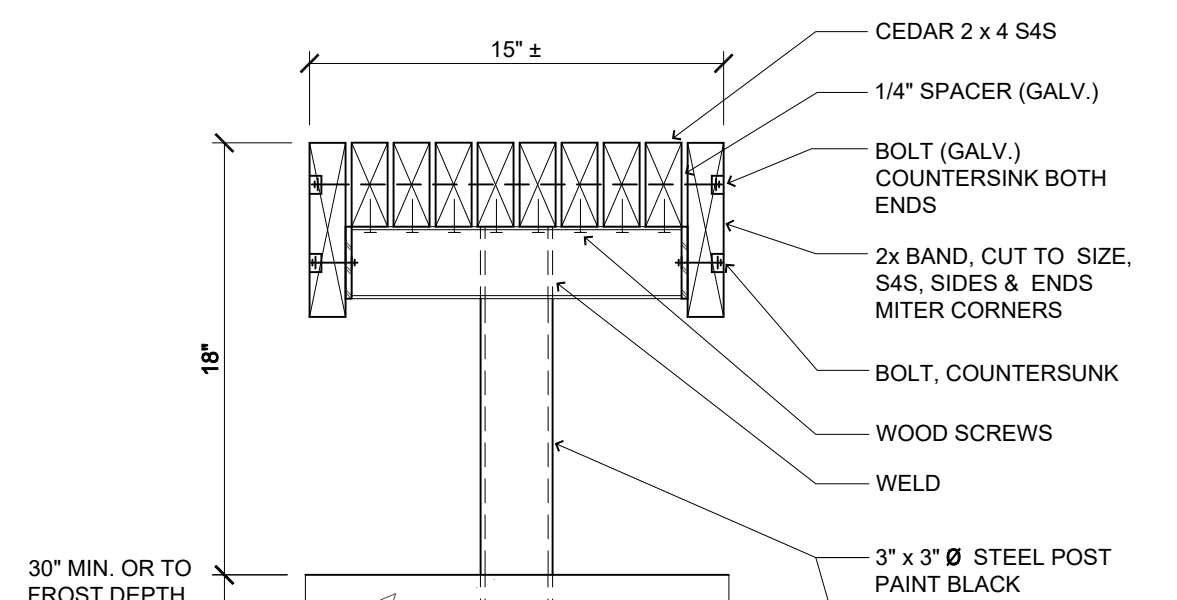
**4 RAISED PLANTER (PRESSURE TREATED)**  
SCALE: 1/2" = 1'-0"



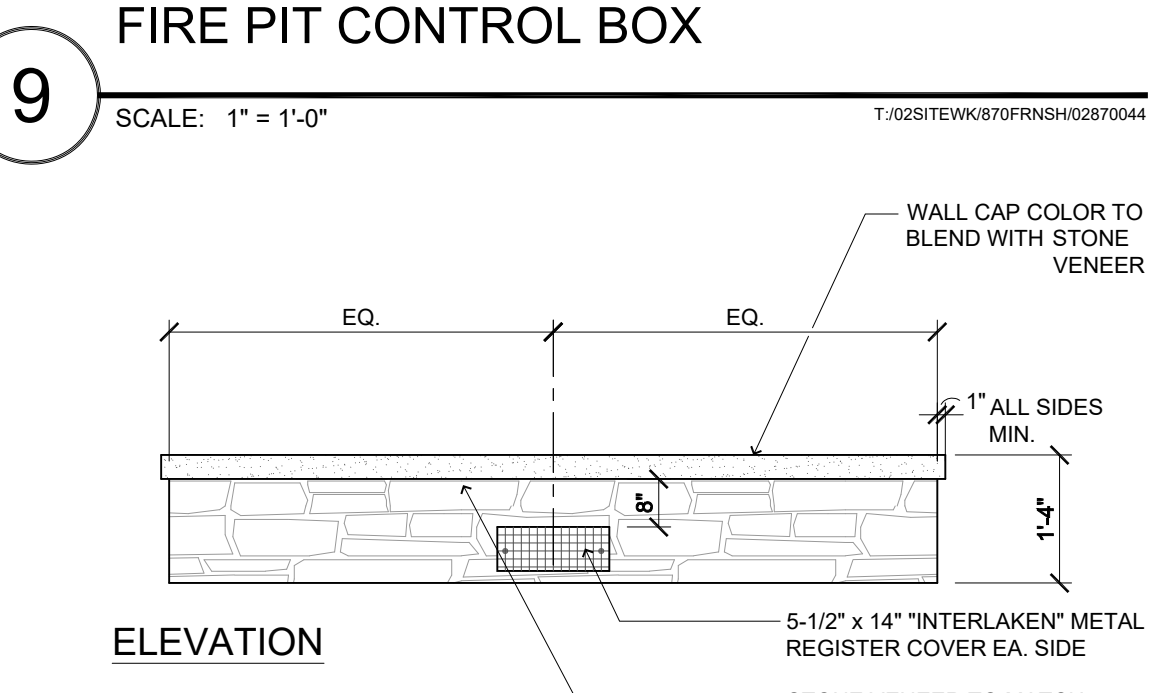
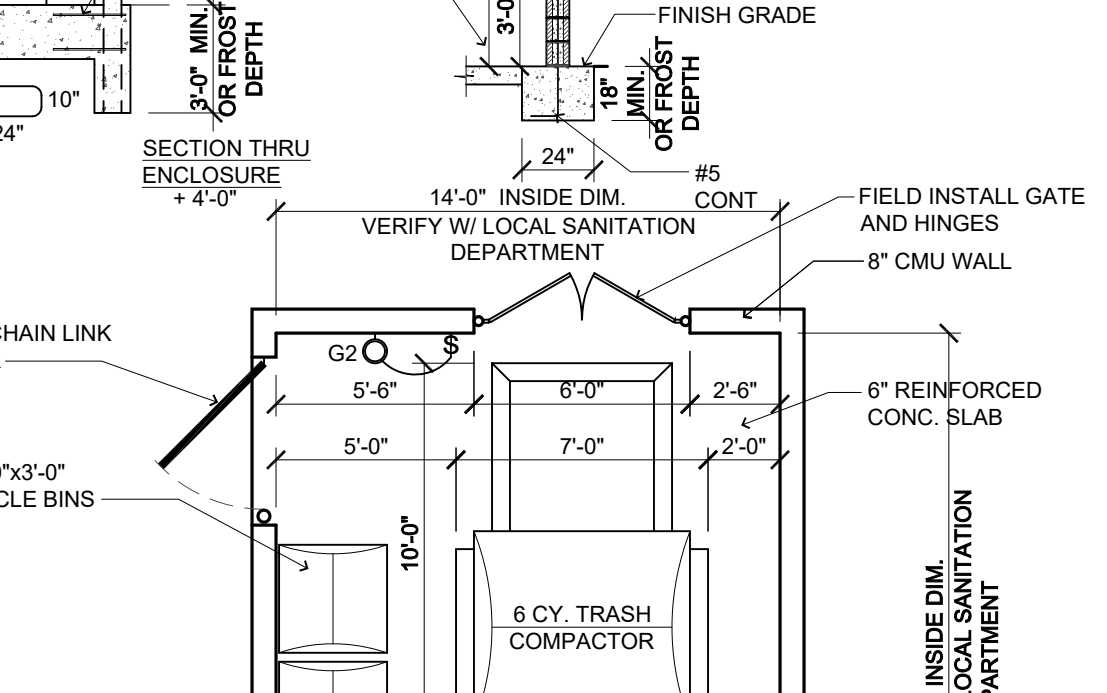
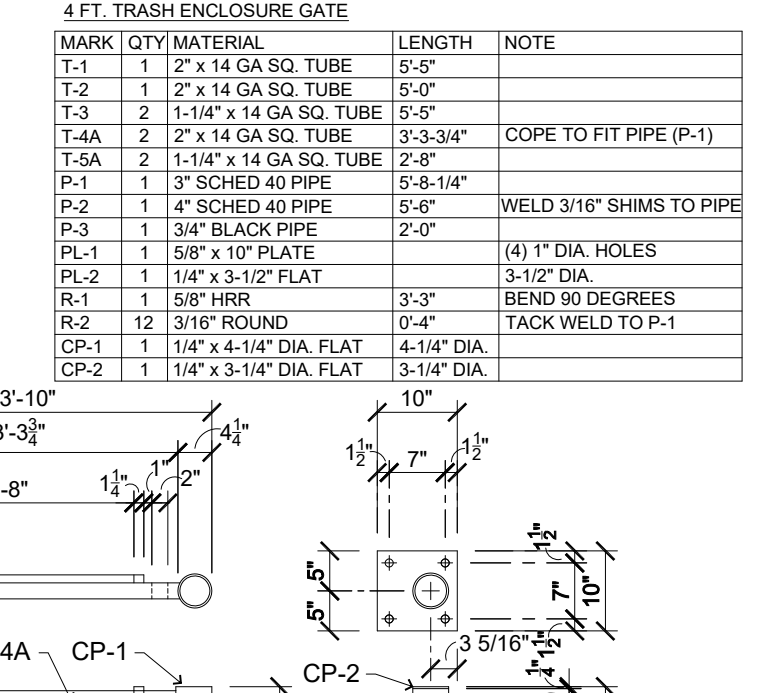
**9 FIRE PIT CONTROL BOX**  
SCALE: 1" = 1'-0"



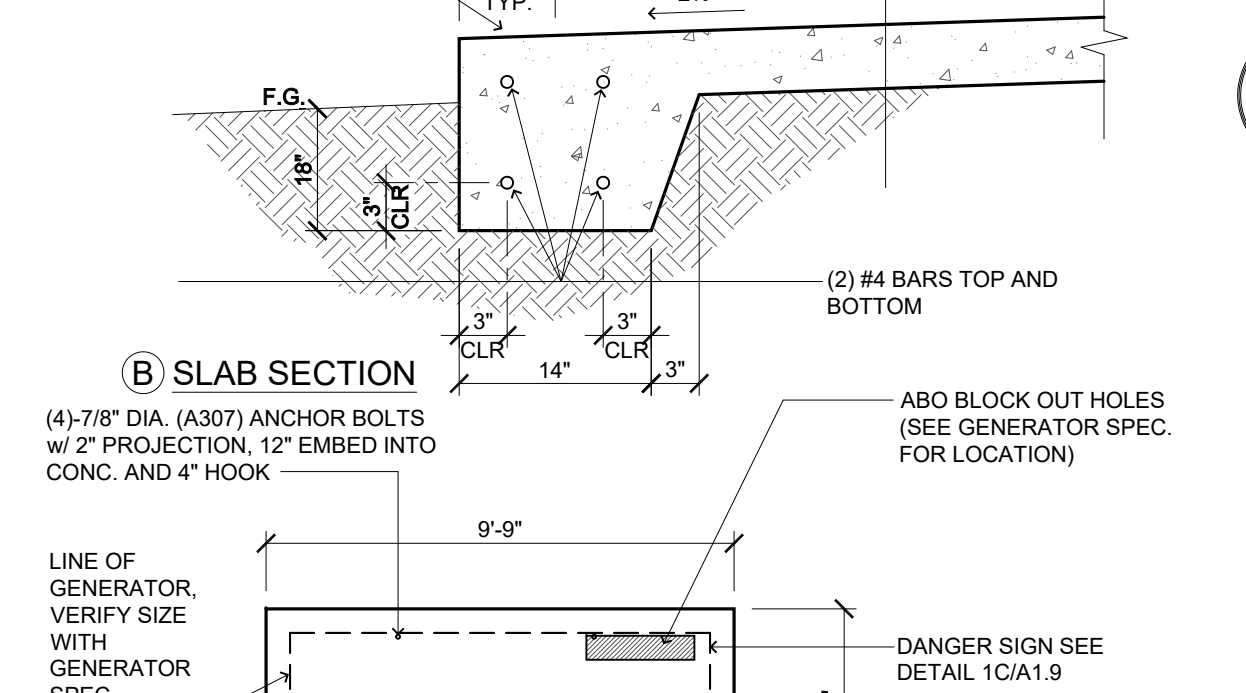
**6 GENERATOR SLAB (LAYOUT)**  
SCALE: 1/4" = 1'-0"



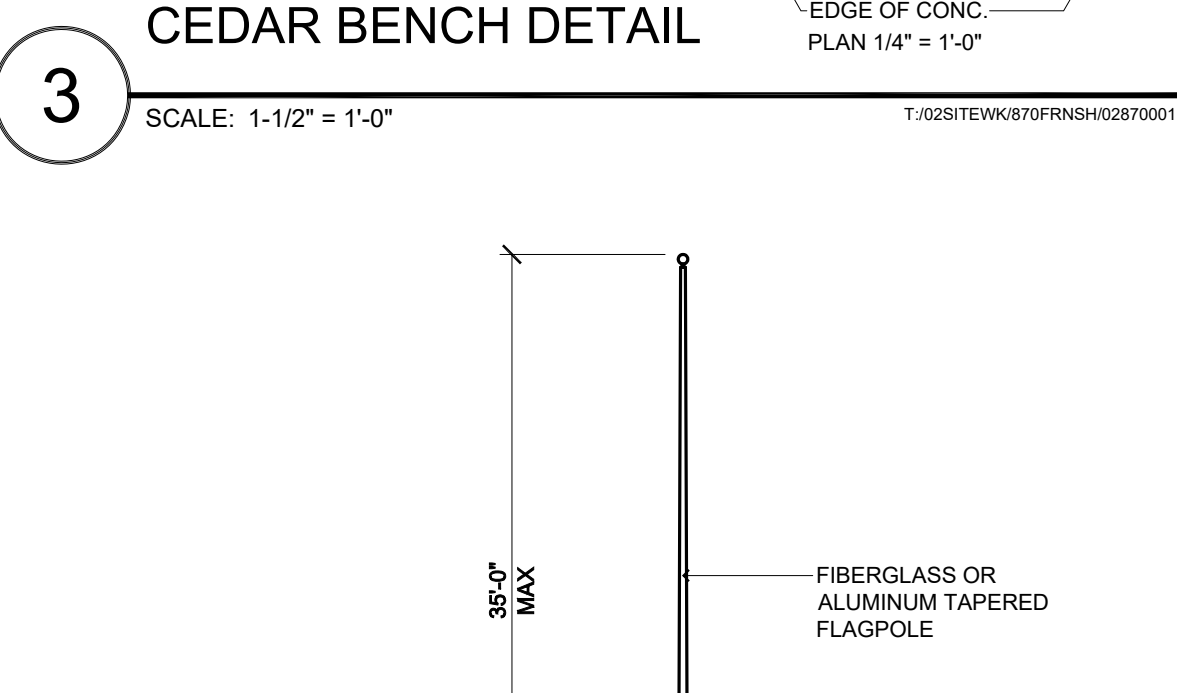
**3 CEDAR BENCH DETAIL**  
SCALE: 1-1/2" = 1'-0"



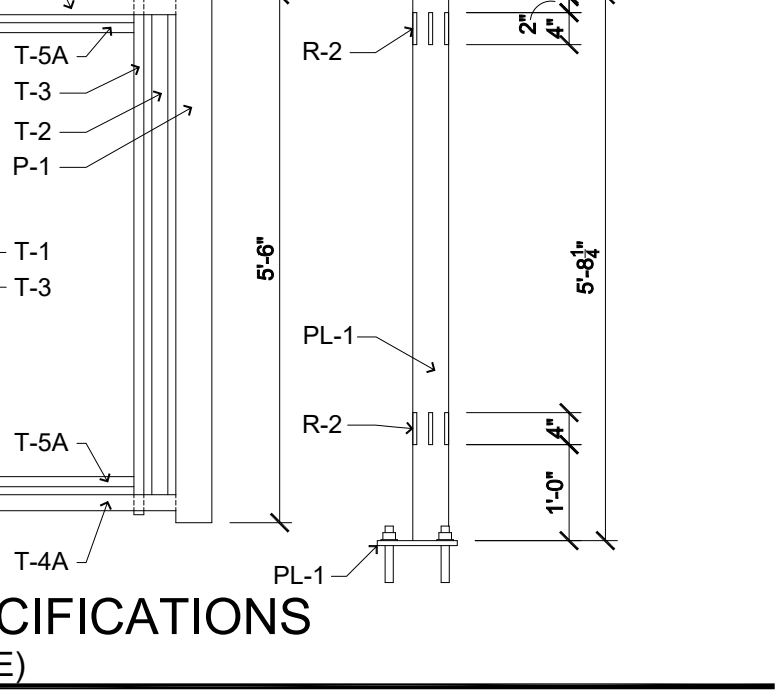
**8 FIRE PIT**  
SCALE: 1/2" = 1'-0"



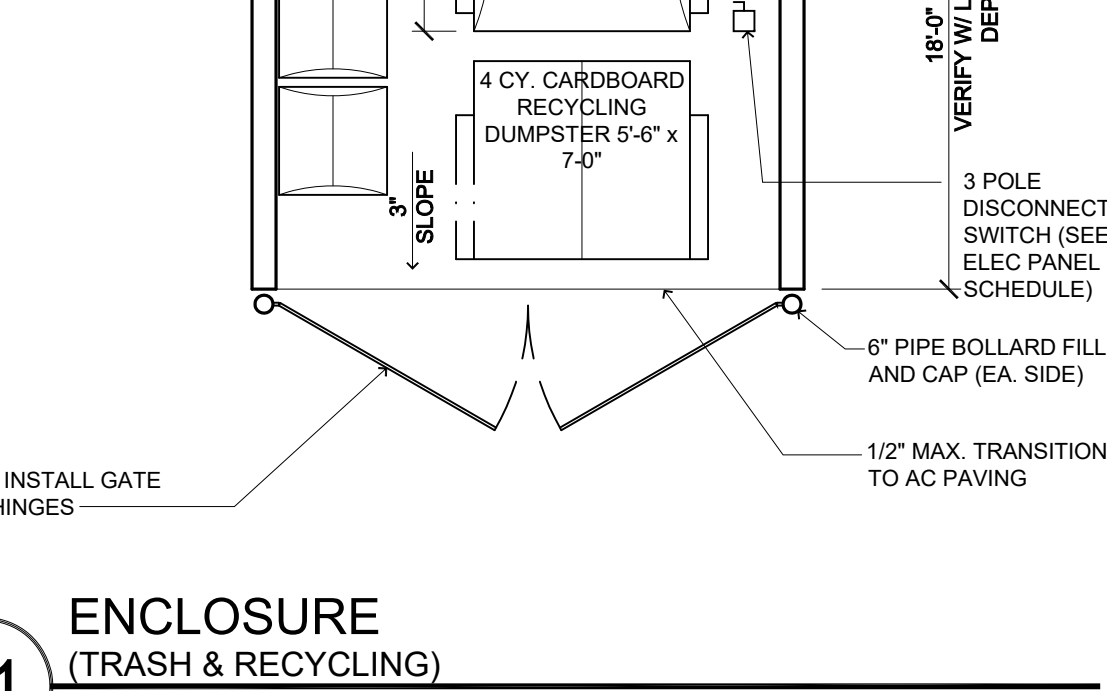
**2 FLAG POLE (GROUND SET CONE)**  
SCALE: NOT TO SCALE



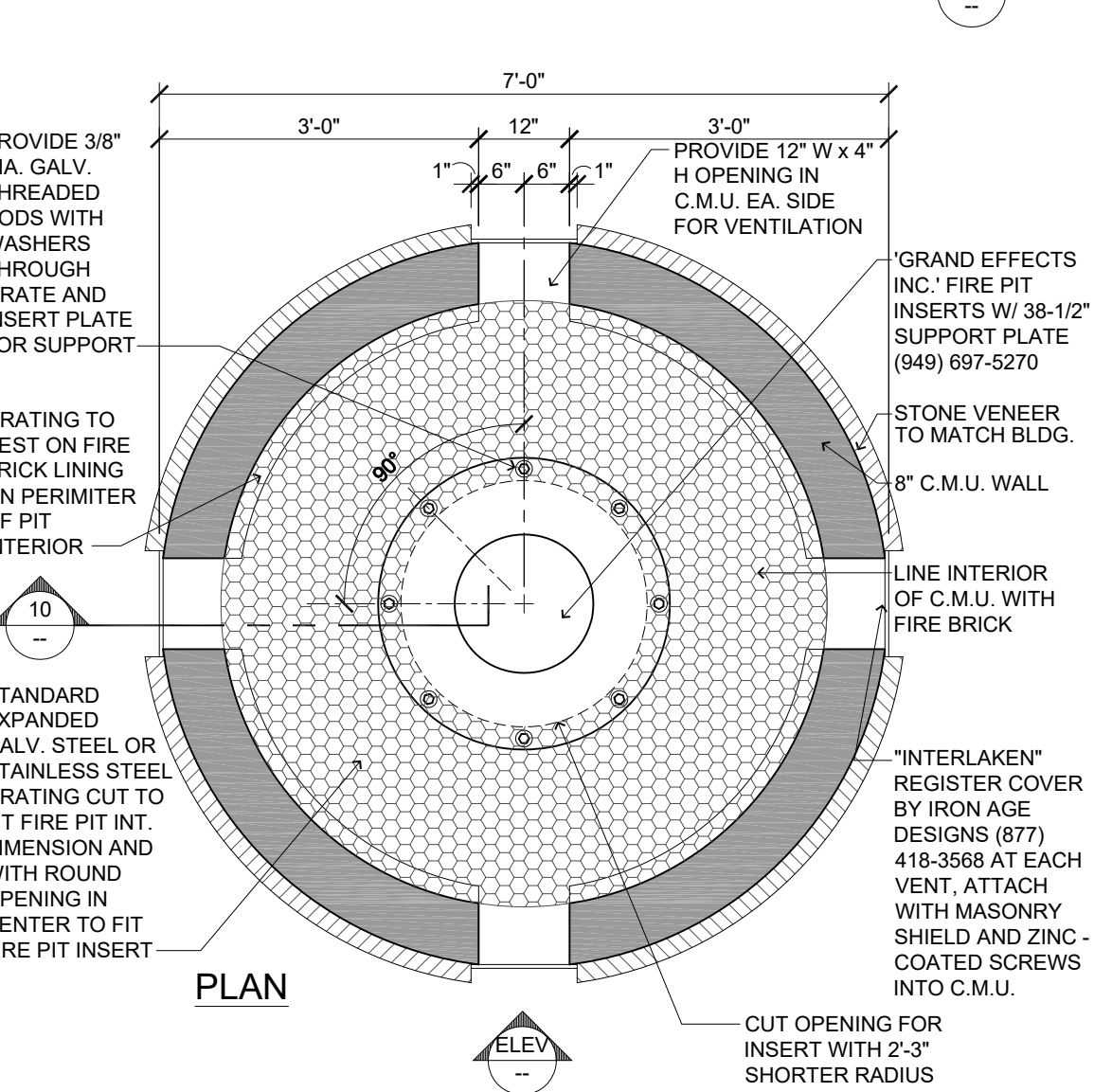
**1 VAN ACCESSIBLE (PARKING SIGN)**  
SCALE: NOT TO SCALE



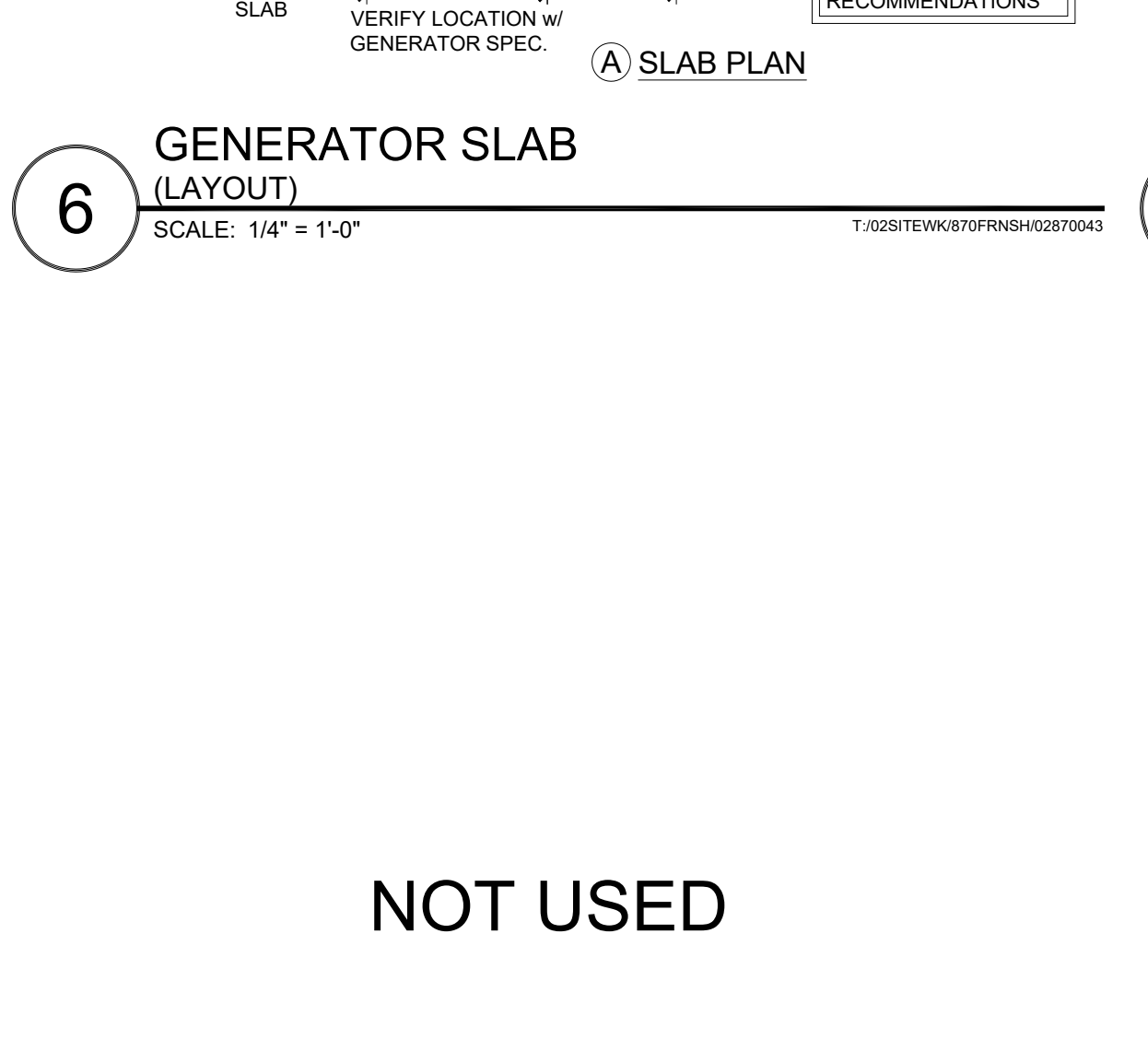
**12 GATE SPECIFICATIONS (AT ENCLOSURE)**  
SCALE: 1/2" = 1'-0"



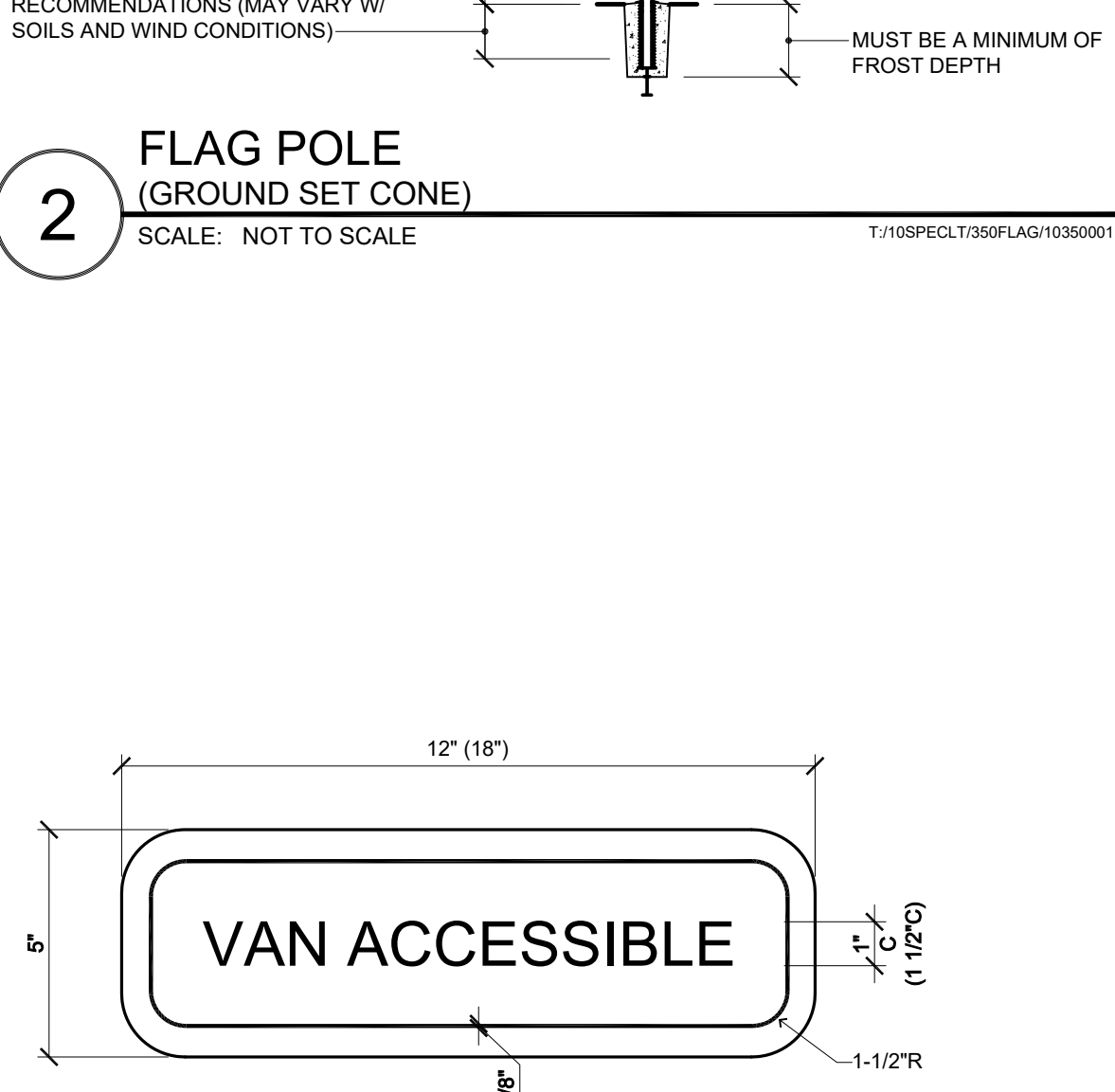
**11 ENCLOSURE (TRASH & RECYCLING)**  
SCALE: 3/16" = 1'-0"



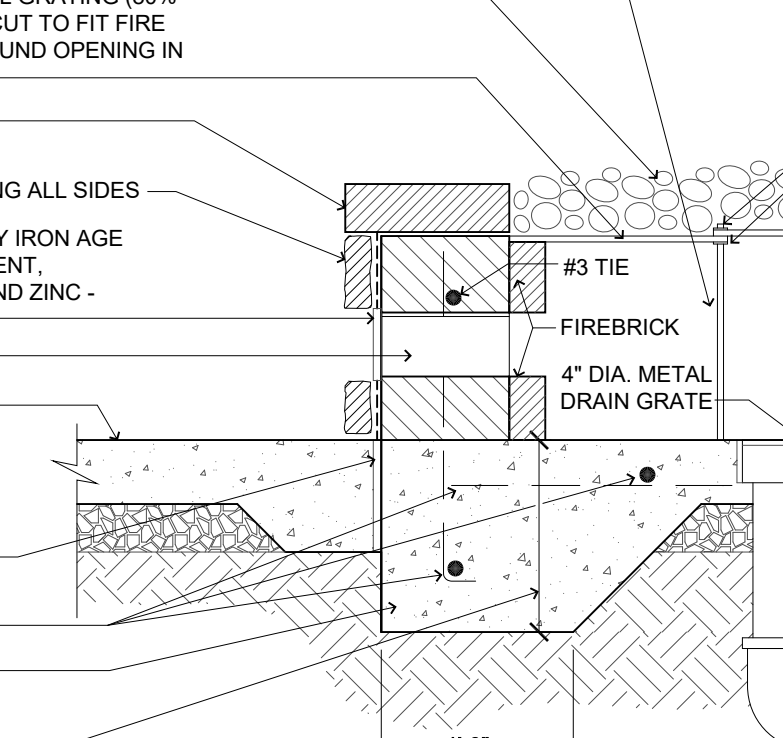
**5**



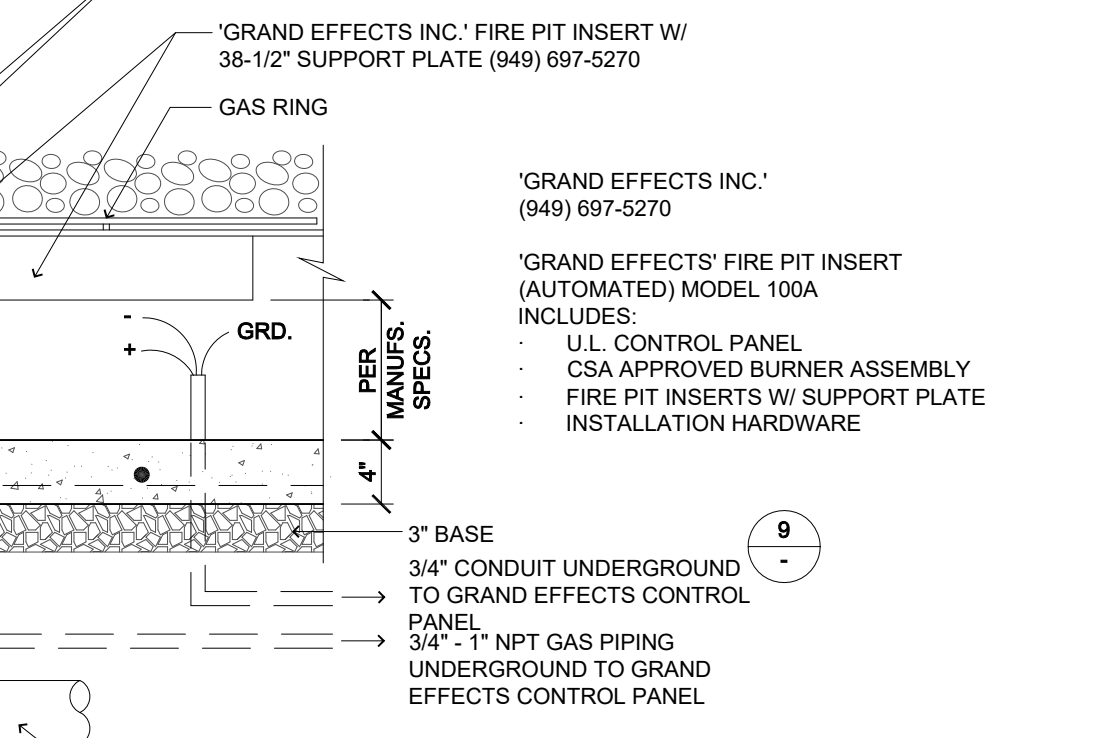
**NOT USED**



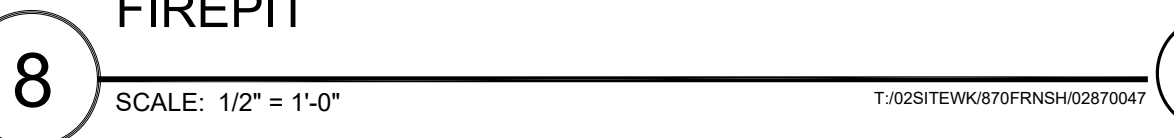
**1 VAN ACCESSIBLE (PARKING SIGN)**  
SCALE: NOT TO SCALE



**10 FIRE PIT SECTION**  
SCALE: 1" = 1'-0"



**9**



**8**



**6**



**1**

**lenity architecture**  
Portland, Oregon 97201  
360 Kenilworth Street, Suite 200  
Portland, Oregon 97201  
Phone: (503) 566-7401  
www.lenityarchitecture.com

**COLSON AND COLSON**  
GENERAL CONTRACTOR, INC.  
2280 McGILCHRIST STREET SE, SUITE 200  
SALEM, OREGON, 97302  
PHONE (503) 586-7401

**PORTLAND**  
RETIREMENT RESIDENCE  
802 OCEAN AVE. PORTLAND, MAINE 04103

**SITE DETAILS**

DATE: 8/28/2015  
REVISED DATE: 9/22/2015  
2/2/2016  
SHEET: A1.8