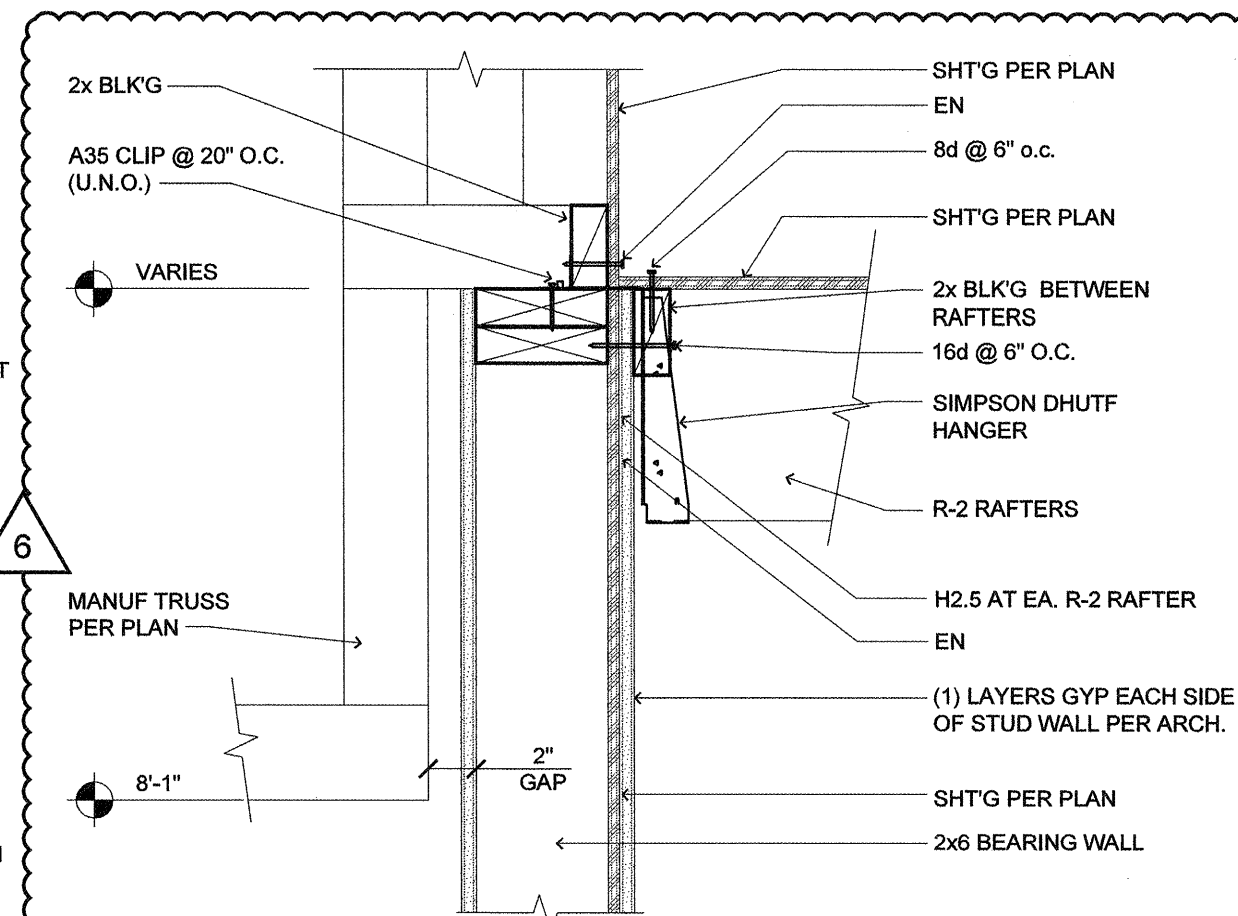


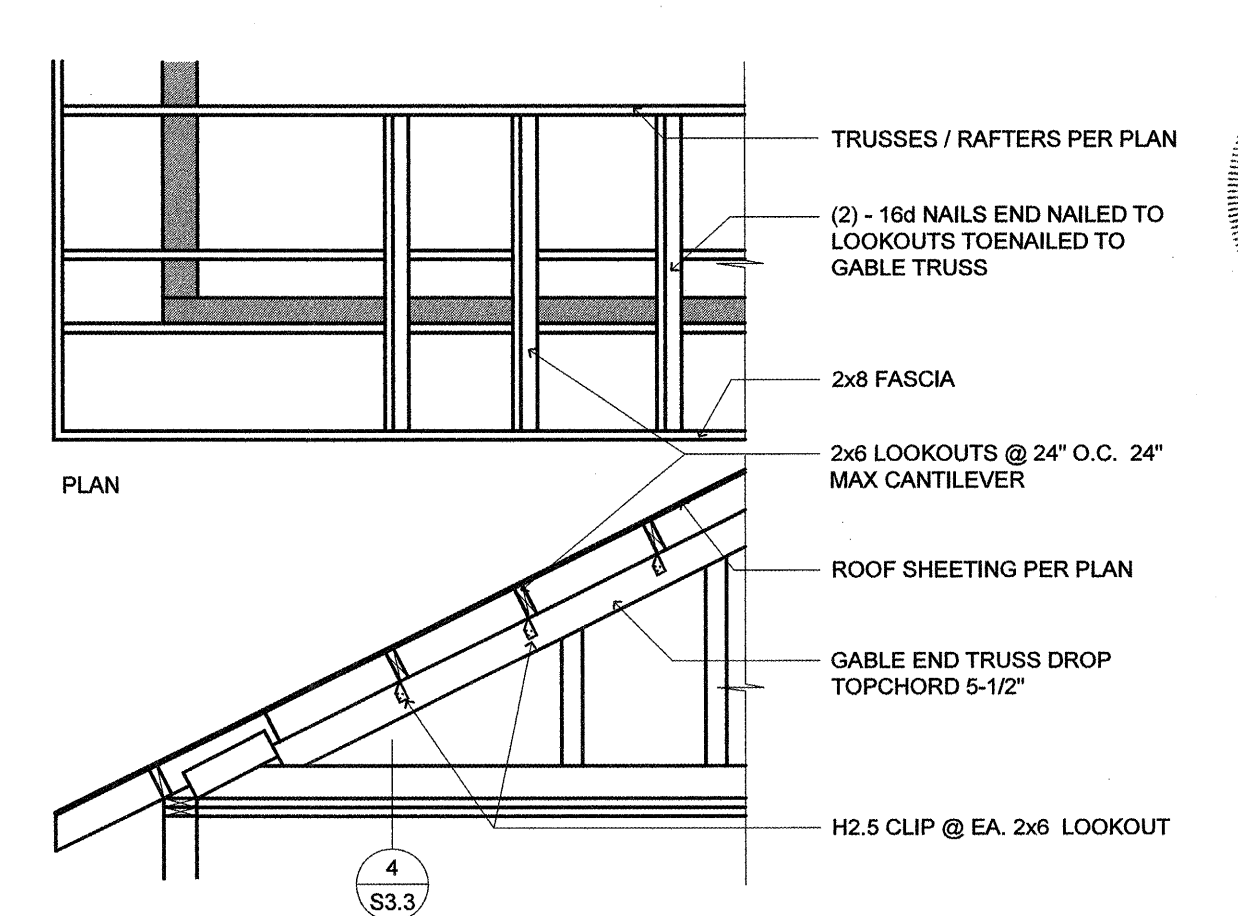
15 INTERIOR WALL (NON-BEARING) SCALE: N.T.S. (1:16)



12 MECH. RAFTER CONNECTION (R-2 TO TRUSS CONNECTION) SCALE: N.T.S.



8 NOT USED SCALE: N.T.S.

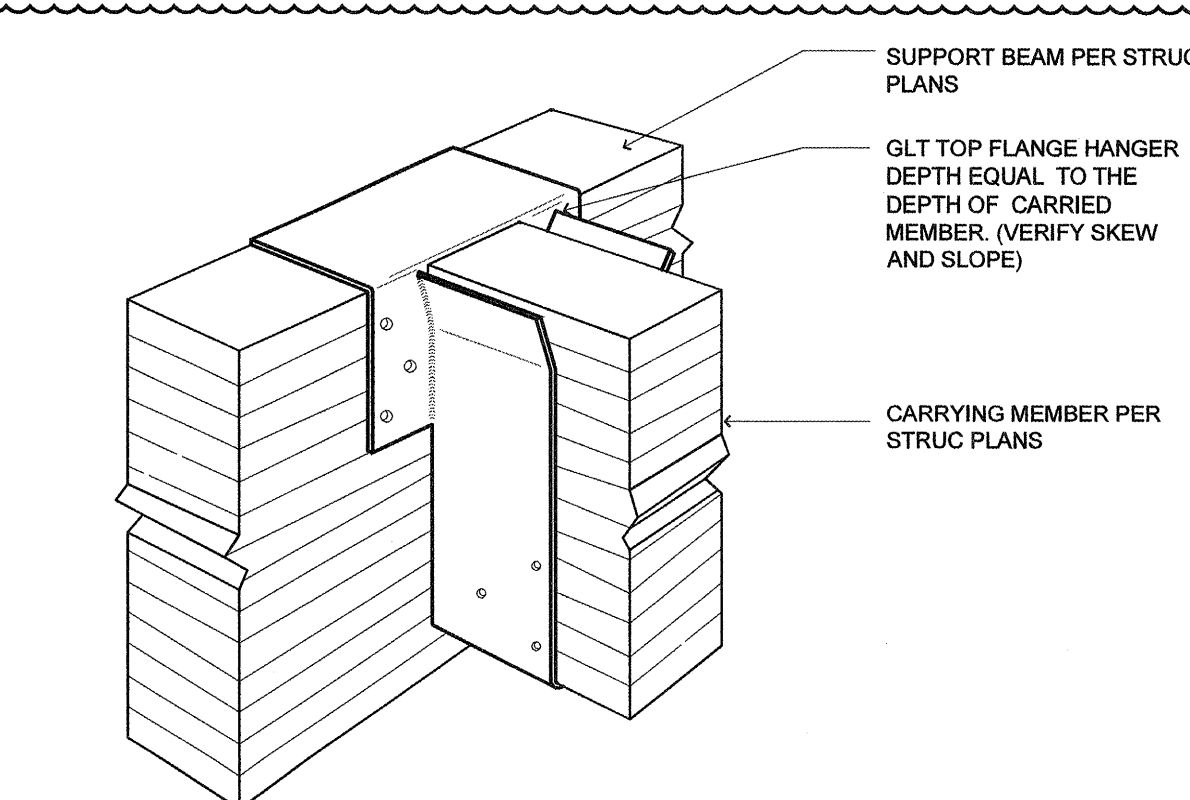


4 GABLE LADDER FRAMING (FRAMING PLAN AND SECTION) SCALE: N.T.S. (1:16)

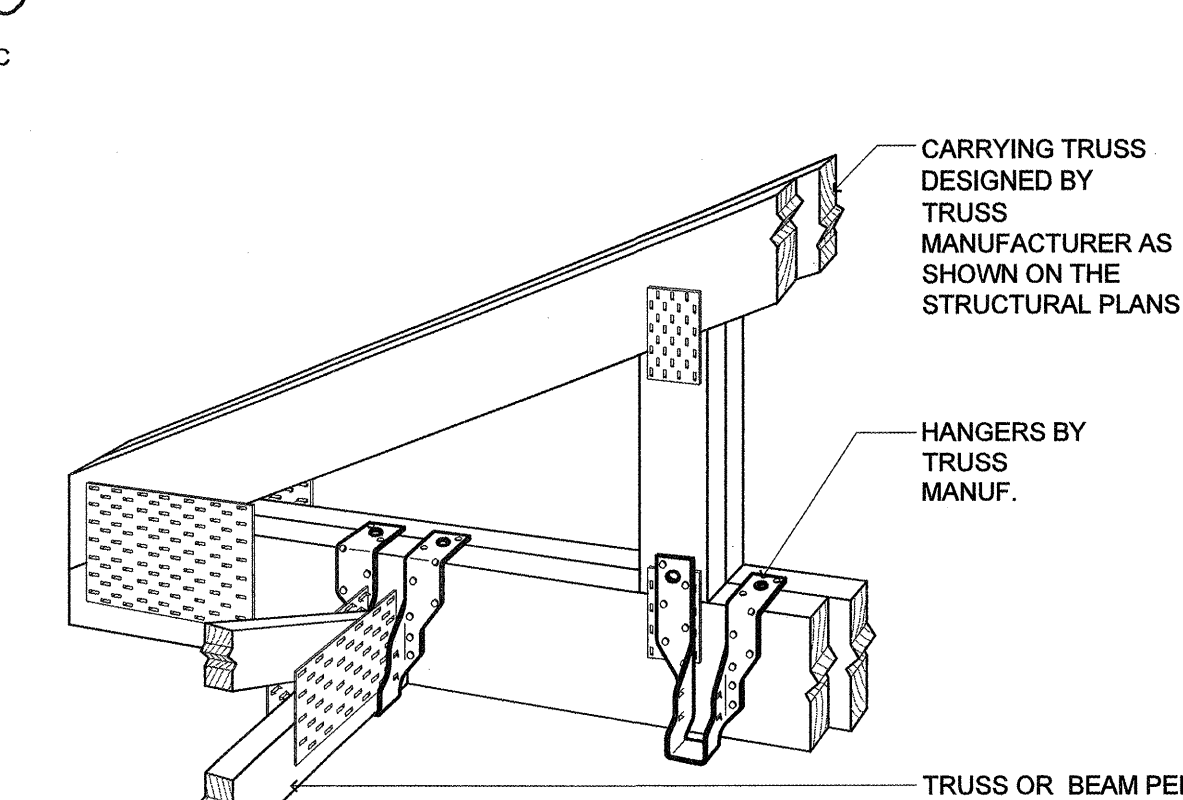
\*\* VALID FOR LATERAL LOADS ONLY \*\*

COMMON NAIL SPACING	GAUGE	EQUIVALENT O.C. SPACING OF STAPLES		
		16	15	14
6d	4"	3-1/2"	4"	5"
	6"	5"	6"	7"
	8"	6-1/2"	8"	9-1/2"
	10"	8-1/2"	10"	12"
	12"	10"	12"	14-1/2"
8d	4"	2-1/2"	3-1/2"	4"
	6"	4"	5"	6"
	8"	5-1/2"	6-1/2"	8"
	10"	6-1/2"	8"	10"
	12"	8"	10"	12"
10d	4"	2"	2-1/2"	3"
	6"	3-1/2"	3-1/2"	5"
	8"	4-1/2"	4"	6-1/2"
	10"	5-1/2"	7"	8"
	12"	6-1/2"	8"	9-1/2"

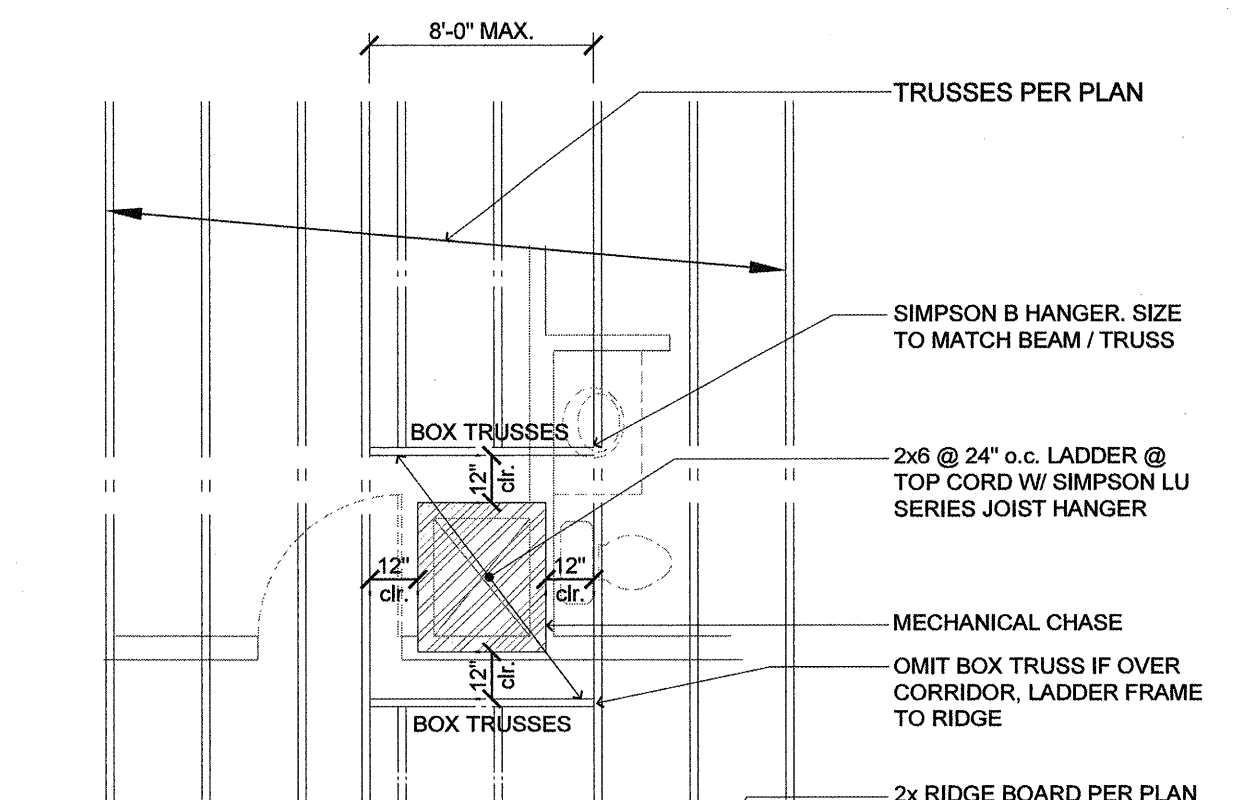
NOTES:  
1. PENETRATION IS THE DEPTH OF EMBEDMENT OF THE STAPLE INTO THE MAIN MEMBER REQUIRED TO ATTAIN ITS FULL CAPACITY (SHEAR VALUE) FOR LATERAL LOADING.  
2. TABLE IS ONLY INTENDED FOR USE IN DIAPHRAGM NAILING OF ROOF, FLOOR, AND WALL SHEATHING.



11 BEAM SADDLE (TOP FLANGE SUPPORT) SCALE: N.T.S. (1:8)



7 ROOF FRAMING SCALE: N.T.S. (1:16)

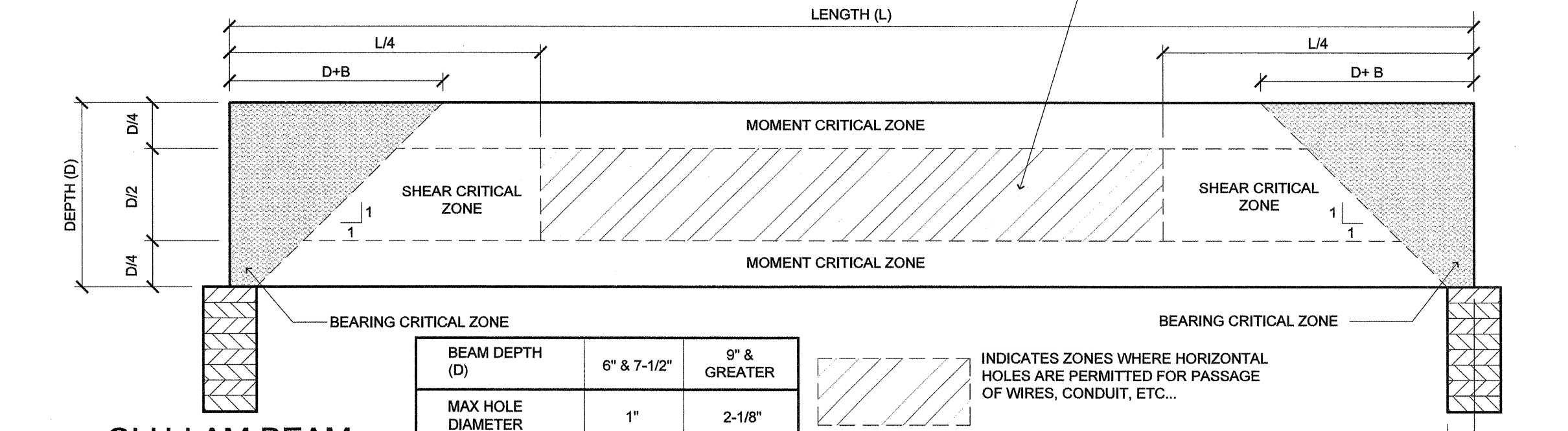


3 MECHANICAL CHASE (AT FLOOR AND ROOF FRAMING) SCALE: N.T.S. (1:1)

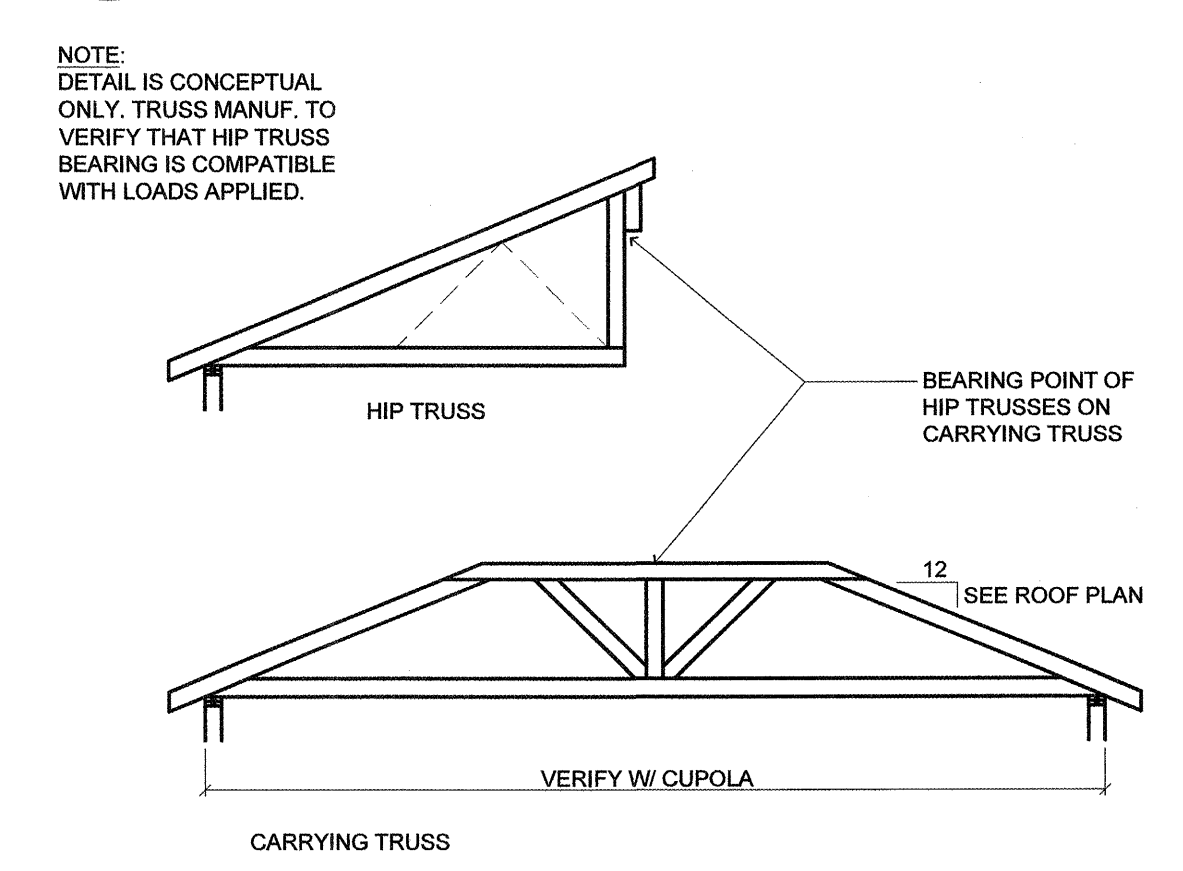
17 NOT USED SCALE: N.T.S.

14 STAPLES AND NAILS (TABLE OF EQUIVALENT) SCALE: N.T.S.

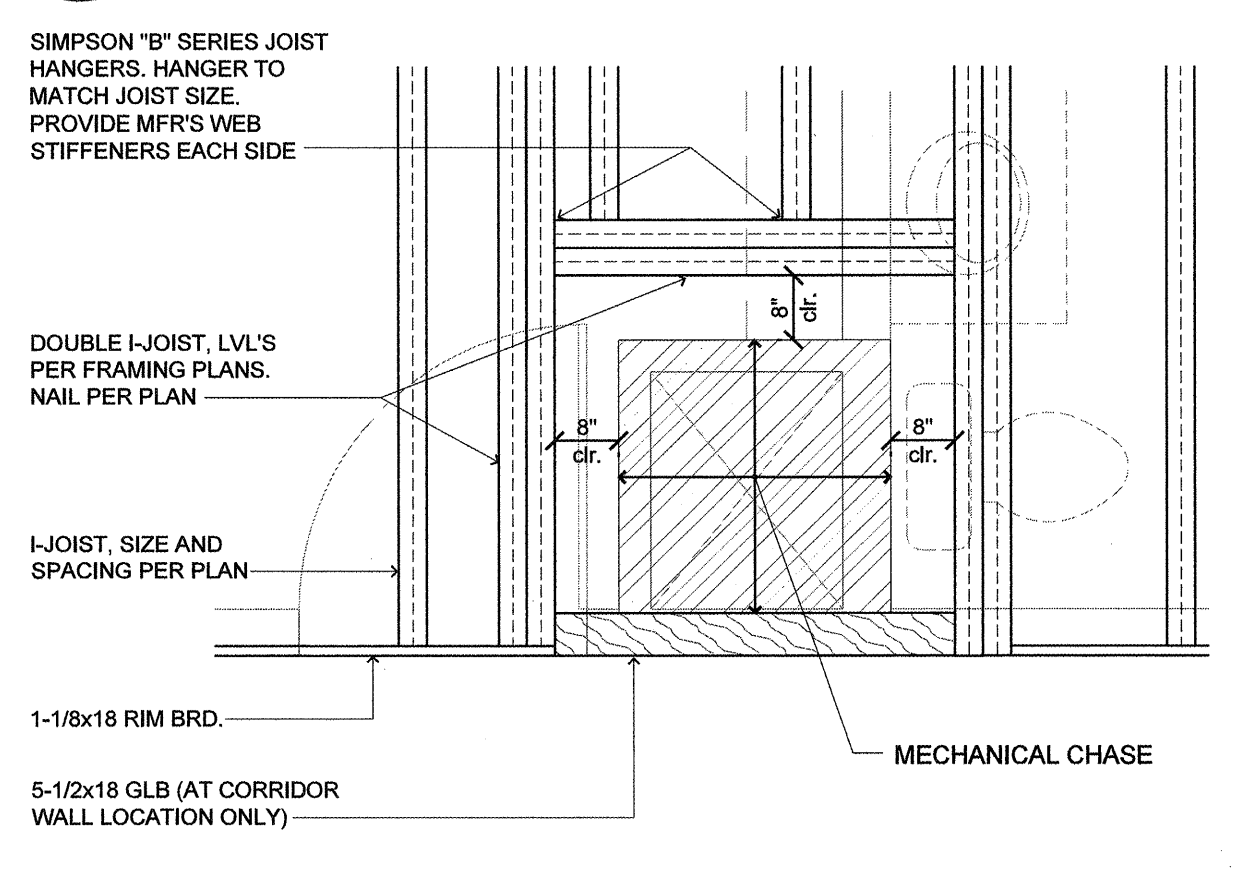
1. SQUARE AND RECTANGULAR HOLES ARE NOT PERMITTED.  
2. THE HORIZ. DISTANCE BETWEEN HOLES SHALL BE AT LEAST 2 TIMES THE DIA. OF THE LARGER HOLE.  
3. DO NOT DRILL MORE THAN 3 ACCESS HOLES IN ANY 4' LONG SECTION OF THE BEAM.  
4. BEAMS DEFLECT UNDER LOAD. SIZE HOLES TO PROVIDE CLEARANCE WHERE REQUIRED.  
5. THE HOLE CHART IS VALID FOR BEAMS SUPPORTING UNIFORM LOAD ONLY.  
6. DO NOT STACK HOLES VERTICALLY.  
7. MAY REQUIRE ENGINEERING REVIEW.



10 GLU-LAM BEAM (NOTCHES AND HOLES) SCALE: 1" = 1'-0"



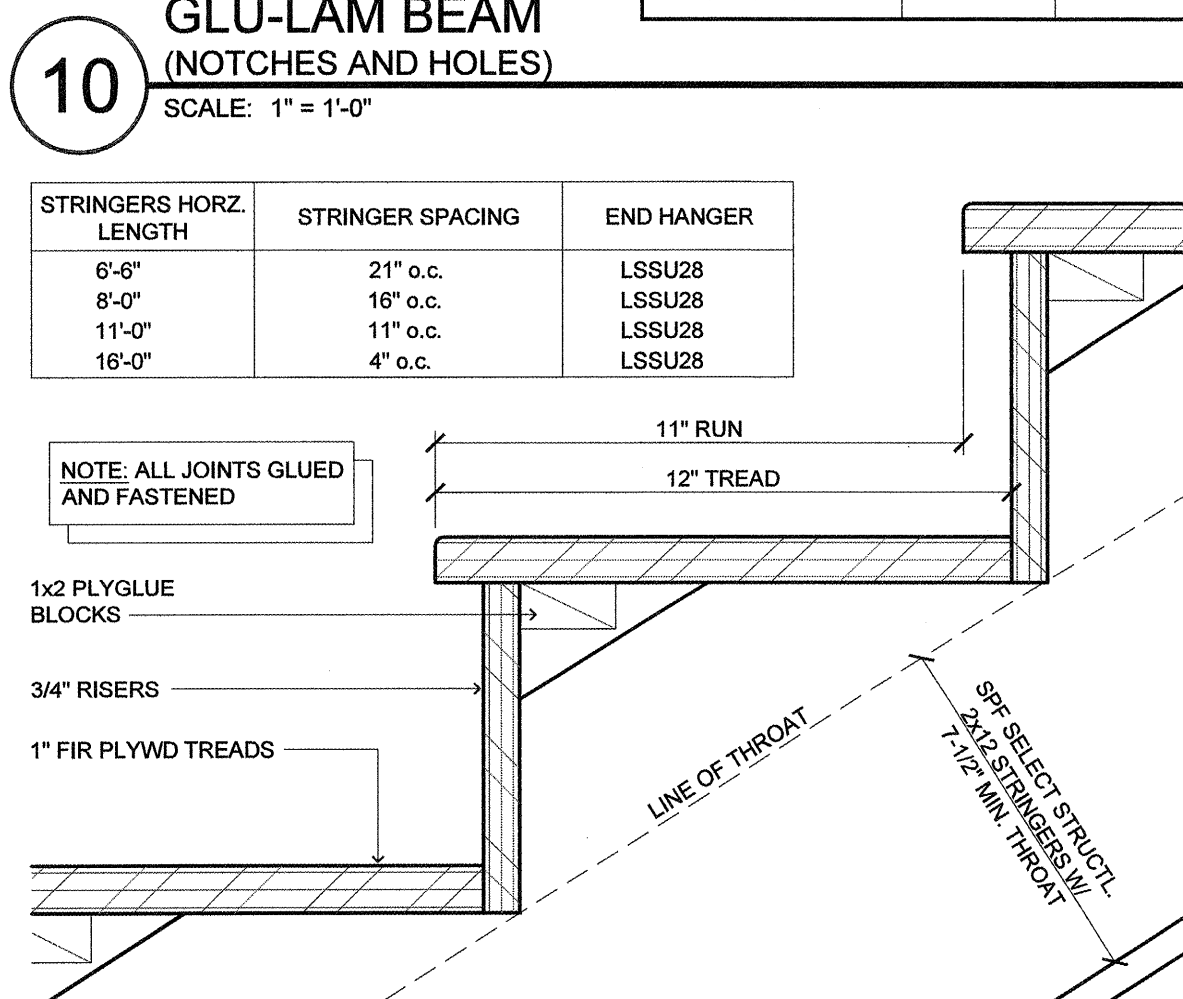
6 CUPOLA CARRYING TRUSS (TRUSS CONFIGURATION) SCALE: NOT TO SCALE (1:96)



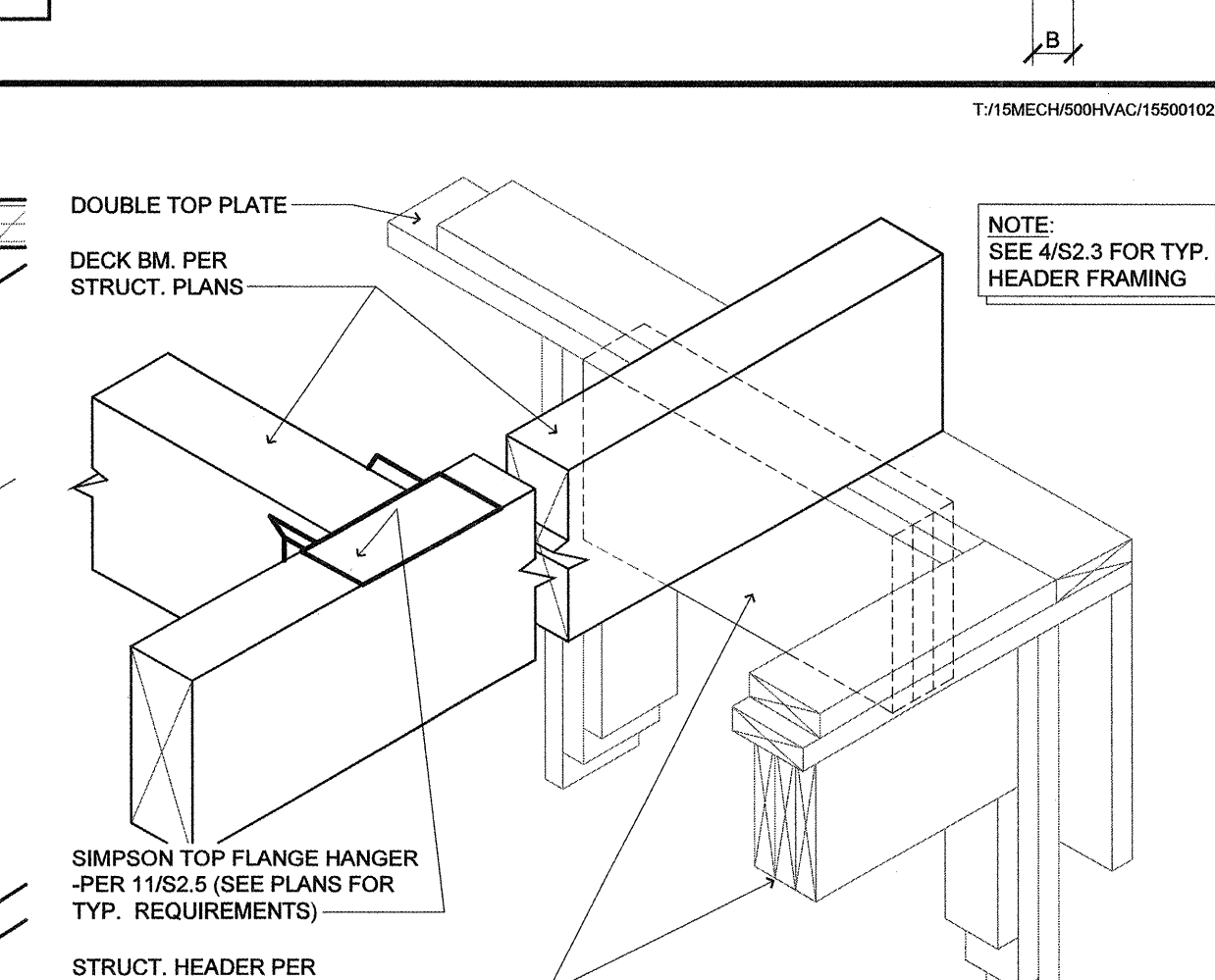
2 MECHANICAL CHASE / SHAFT (FLOOR FRAMING LAYOUT) SCALE: N.T.S. (1:24)

NAILING SCHEDULE		
NO.	CONNECTION	NAILING (note 1)
1	Joist to sill or girder, toenail	3-8d
2	Bridging to joist, toenail each end	2-8d
3	1x6\"/>	
4	Wider than 1x6\"/>	
5	2\"/>	
6	Sole plate to joist/blocking, face nail	16d-16\"/>
7	Top plate to stud, end nail	2-16d
8	Stud to sole plate	4-8d toenail or 2-16d endnail 2-20d nails @ 3x sole plates
9	Double studs, face nail	16d-24\"/>
10	Doubled top plates, typical face nail Double top plates, at lap splices	16d-6\"/>
11	Blocking between joists/rafters to top plate	3-8d toenail
12	Rim joist to top plate	8d @ 6\"/>
13	Top plates, laps and intersections, face nail	2-16d
14	Continuous header, two pieces	16d @ 16\"/>
15	Ceiling joists to plate, toenail	3-8d
16	Continuous header to stud, toenail	4-8d
17	Ceiling joists, laps over partitions, face nail	3-16d
18	Ceiling joist to parallel rafters, face nail	3-16d
19	Rafter to plate, toenail	3-8d
20	1\"/>	2-8d
21	1x8\"/>	2-8d
22	Wider than 1x8\"/>	3-8d
23	Built up corner studs	16d-24\"/>
24	Built up girder and beams	20d @ 32\"/>
25	2\"/>	2-16d at each bearing
26	Wood structural panels and particleboard (note 2) Subfloor, roof and wall sheathing to framing 1/2\"/>	
27	Panel siding to framing 1/2\"/>	

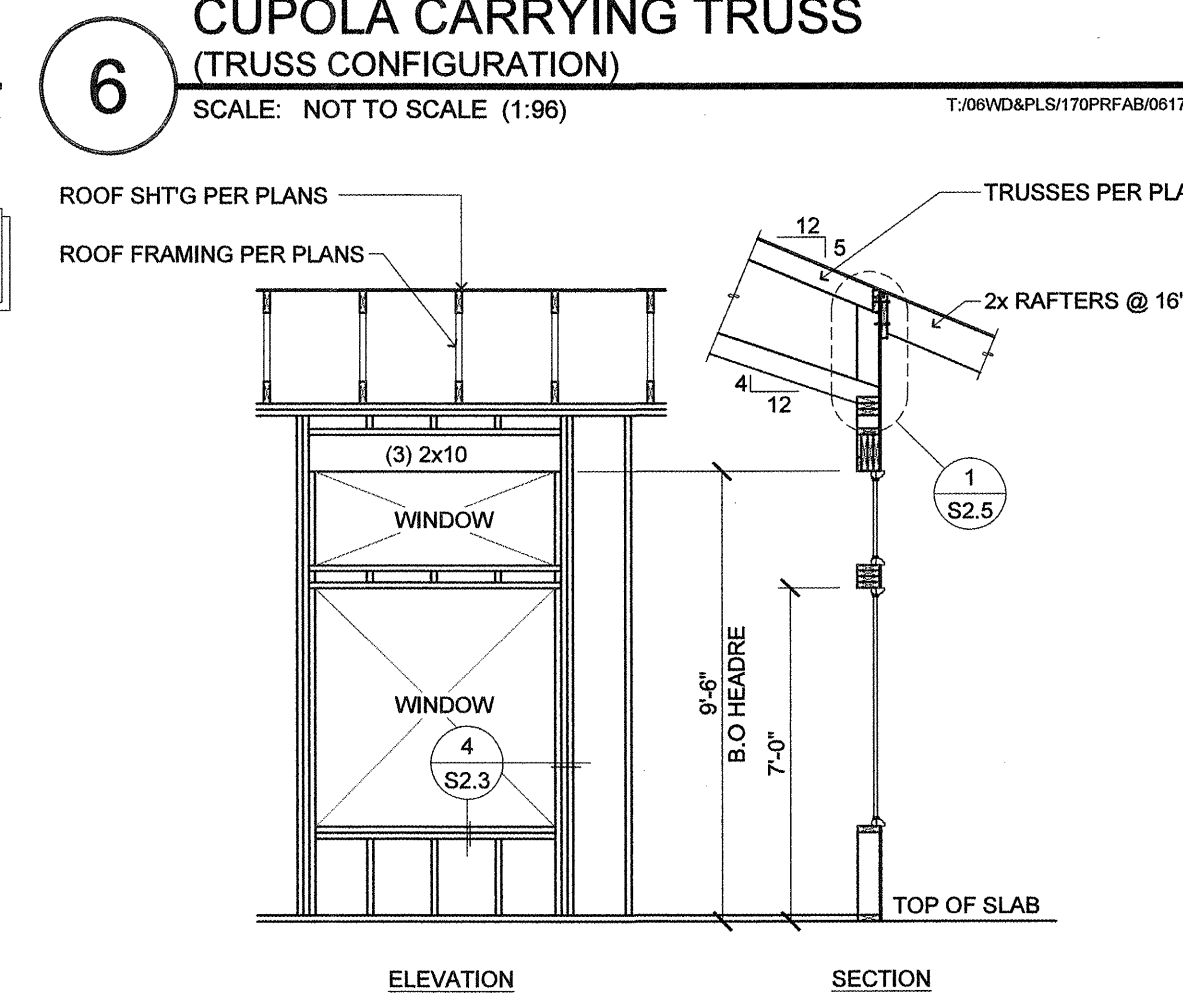
16 NAILING SCHEDULE (MINIMUM REQUIREMENTS) SCALE: N.T.S.



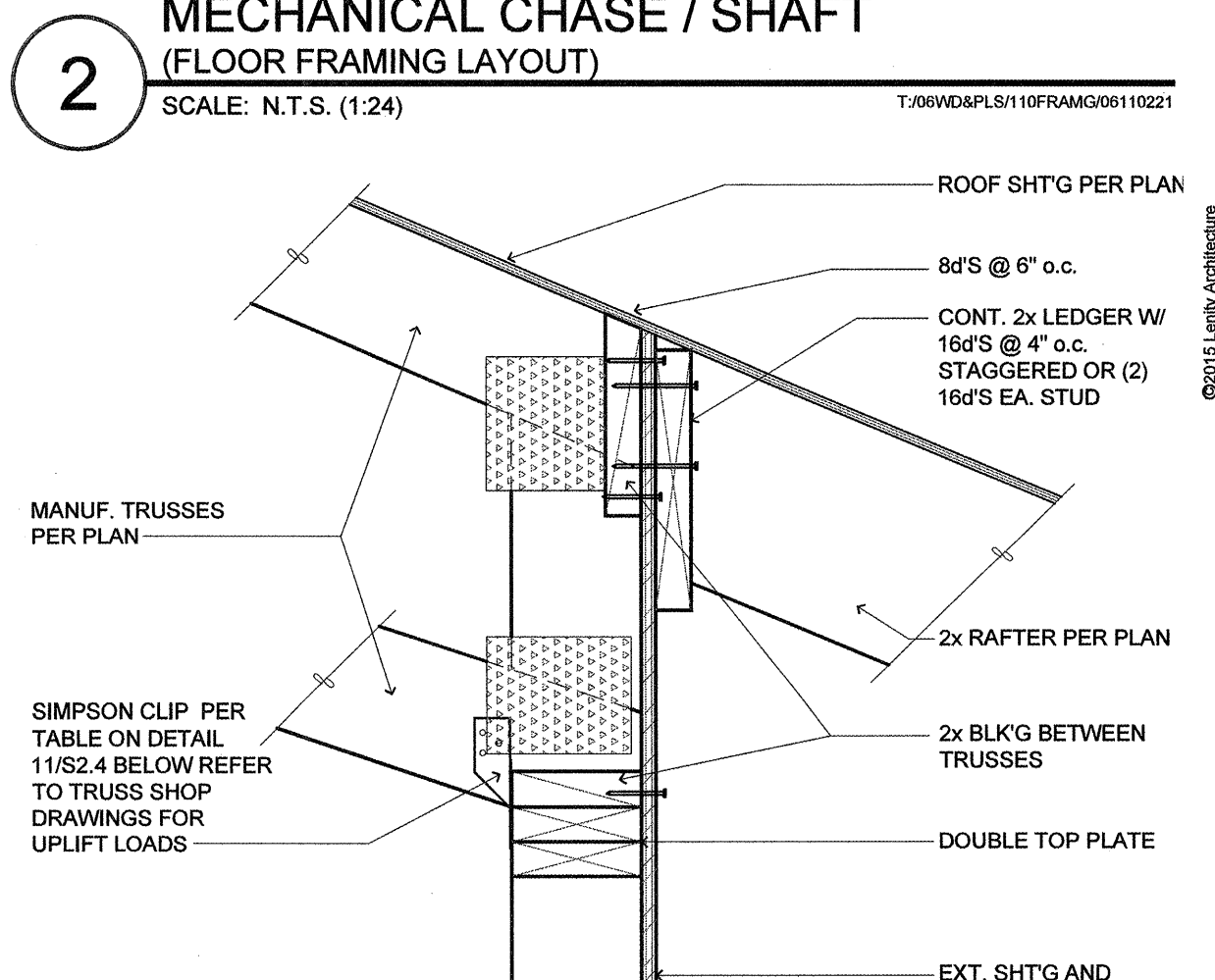
13 STAIR STRINGERS (TYPICAL STAIR TREAD) SCALE: N.T.S. (1:4)



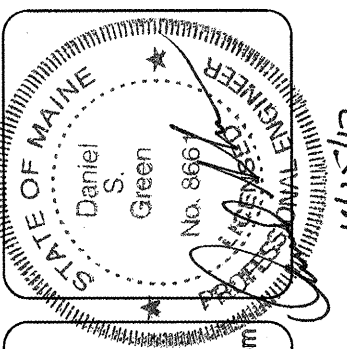
9 DECK DETAIL (@ TEE SUITES) SCALE: 1" = 1'-0"



5 DINING RM. EXT. WALL SECT. (HVAC DUCT PENETRATION) SCALE: N.T.S.



1 CONNECTION (RAFTERS TO TRUSS) SCALE: N.T.S. (1:8)



lenity architecture  
3150 Kettle Court, SE, Salem, Oregon 97301  
P: 503.399.1090 F: 503.399.0565  
www.lenityarchitecture.com

COLSON AND COLSON  
GENERAL CONTRACTOR, INC.  
2280 McGLICHRIST STREET SE, SUITE 200  
SALEM, OREGON, 97302  
PHONE (503) 586-7401

PORTLAND  
RETIREMENT RESIDENCE  
802 OCEAN AVE. PORTLAND, MAINE 04103

STRUCTURAL  
DETAILS

DATE: 8/28/2015  
REVISED DATE:  
SHEET: S2.5

6/31/2017