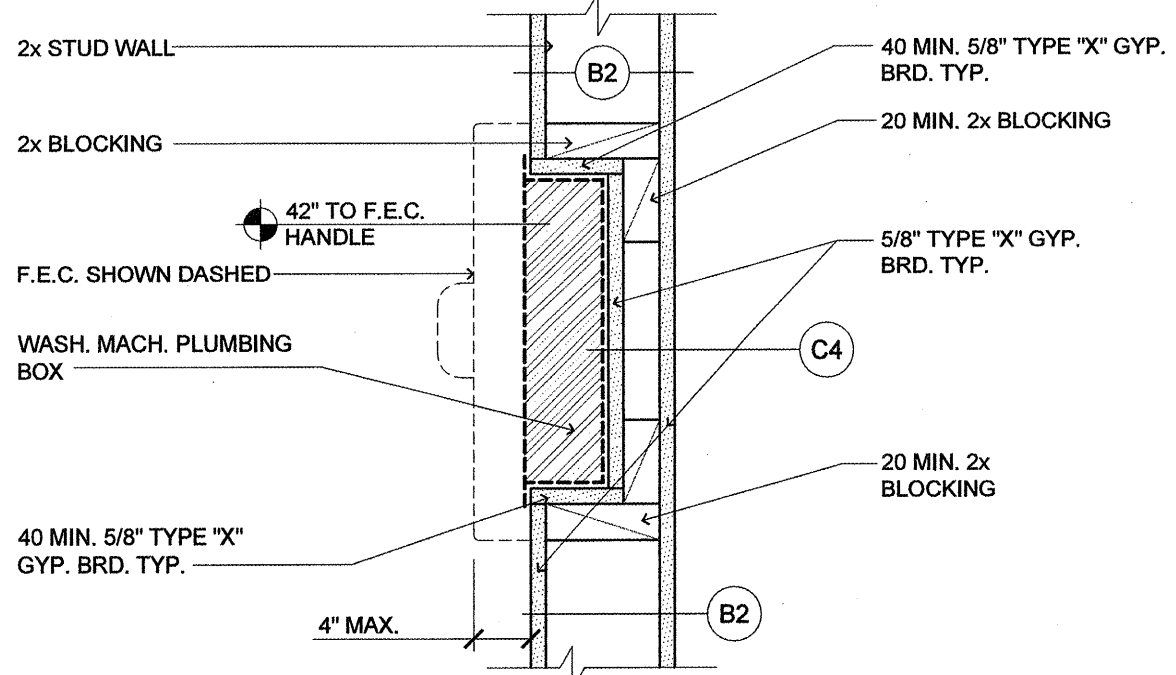
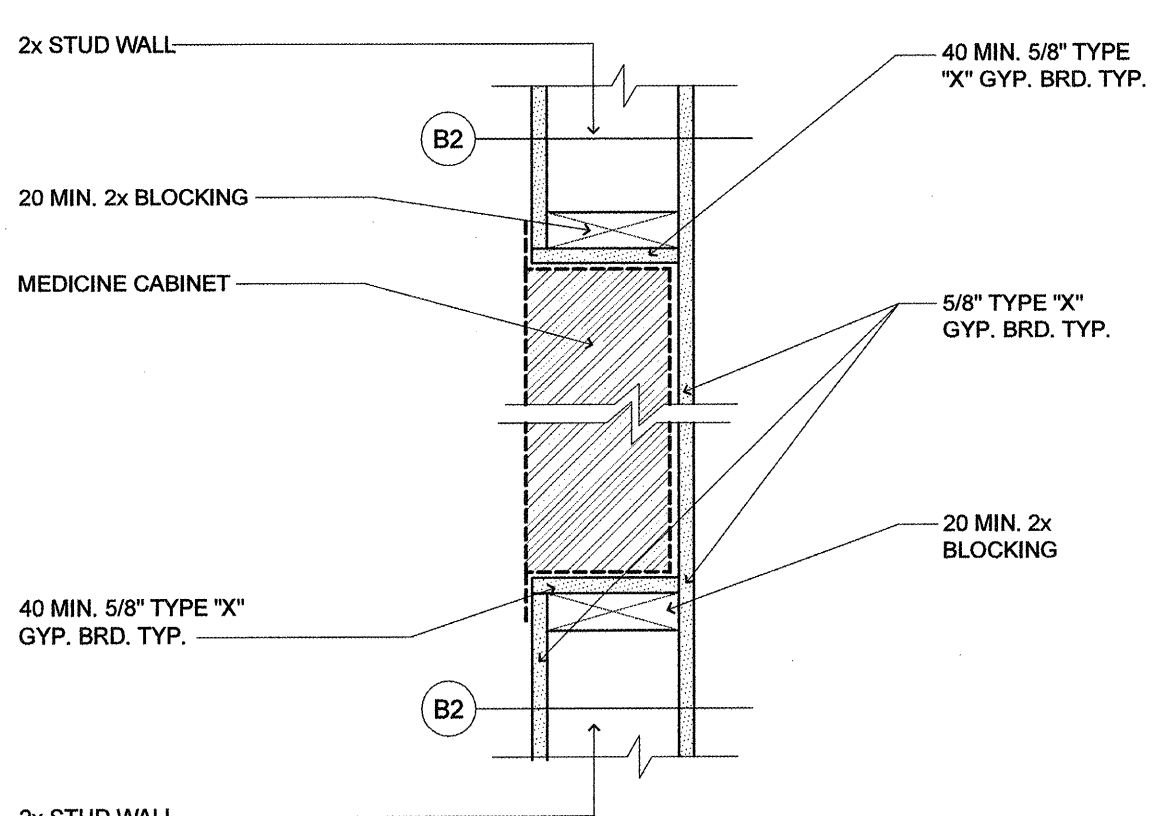


15 INTERIOR WALL (NON-BEARING NON-PARTY WALL)
SCALE: N.T.S.

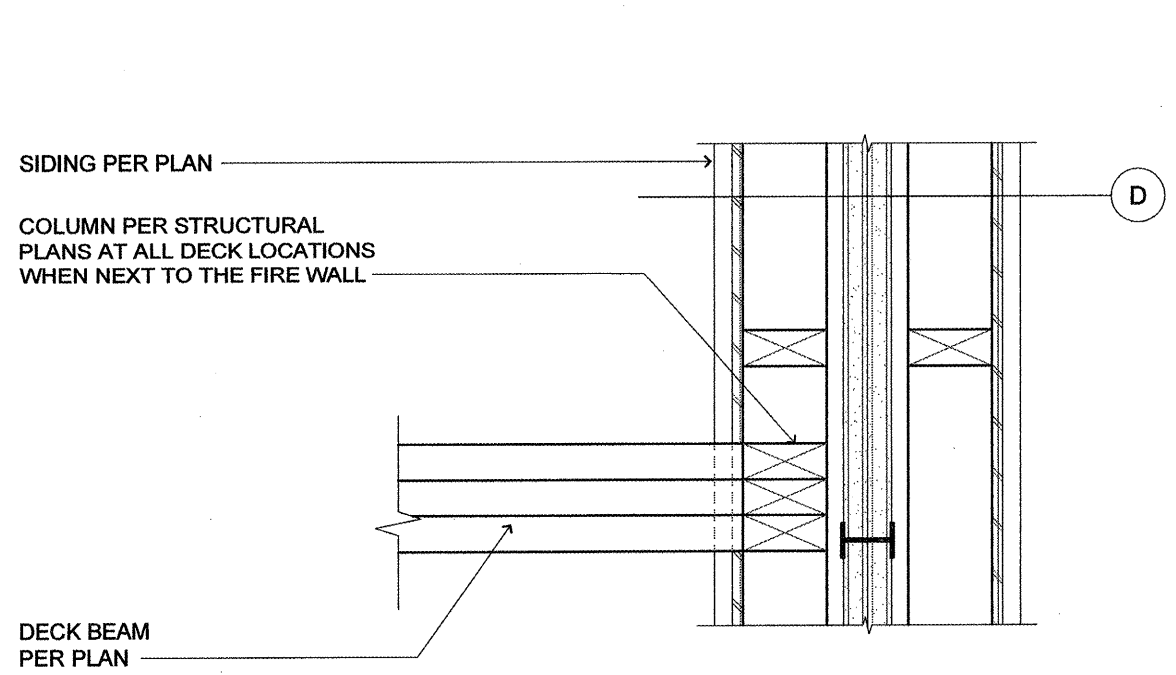
PROVIDE NFPAUL NON-LOCKBLE APPROVED MINIMUM SIZE 2A108C4 LOCATE TO ALLOW 75 FEET MAXIMUM TRAVEL DISTANCE TO AN EXTINGUISHER AT BUILDING INTERIOR SPACES. ONE PER 3000 S.F. MOUNTING 42\"/>



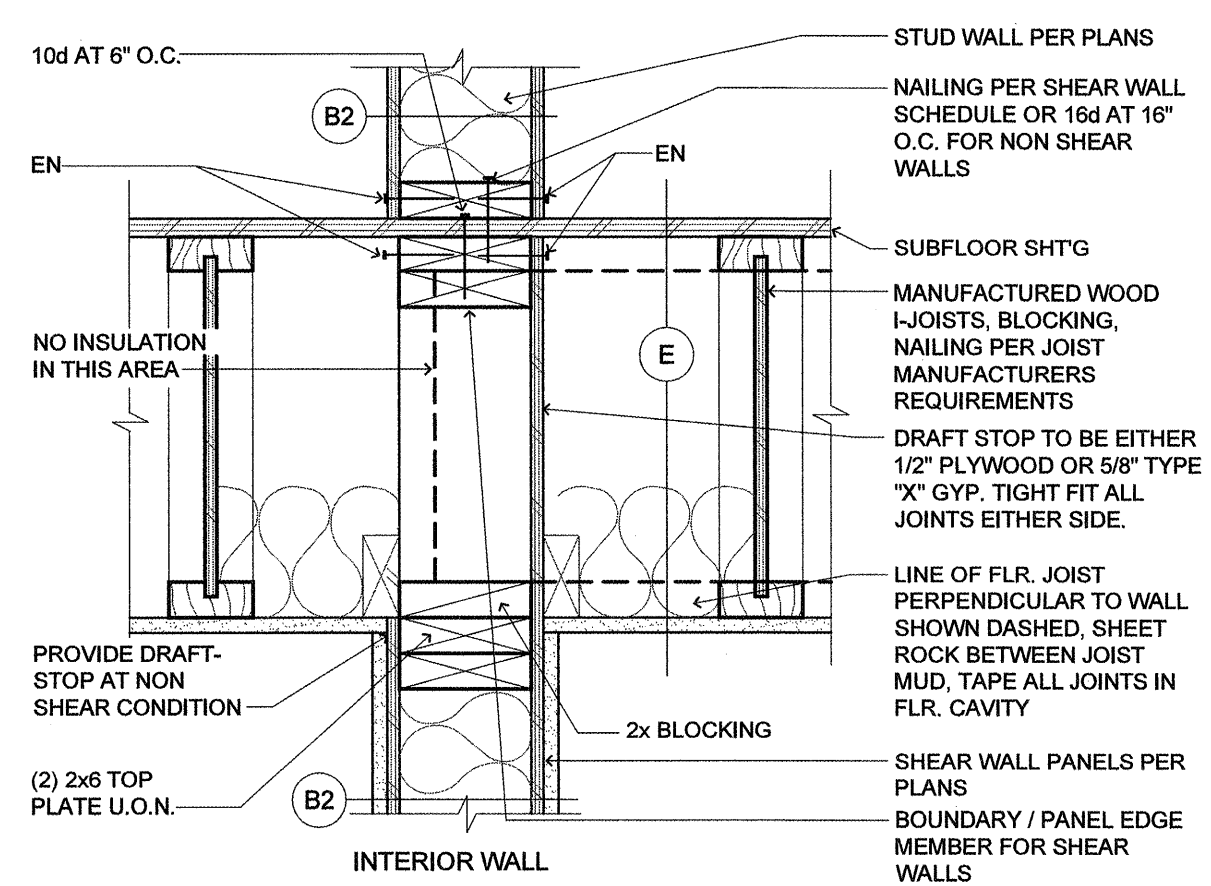
14 WALL CABINET (F.E.C.)
SCALE: 1-1/2\"/>



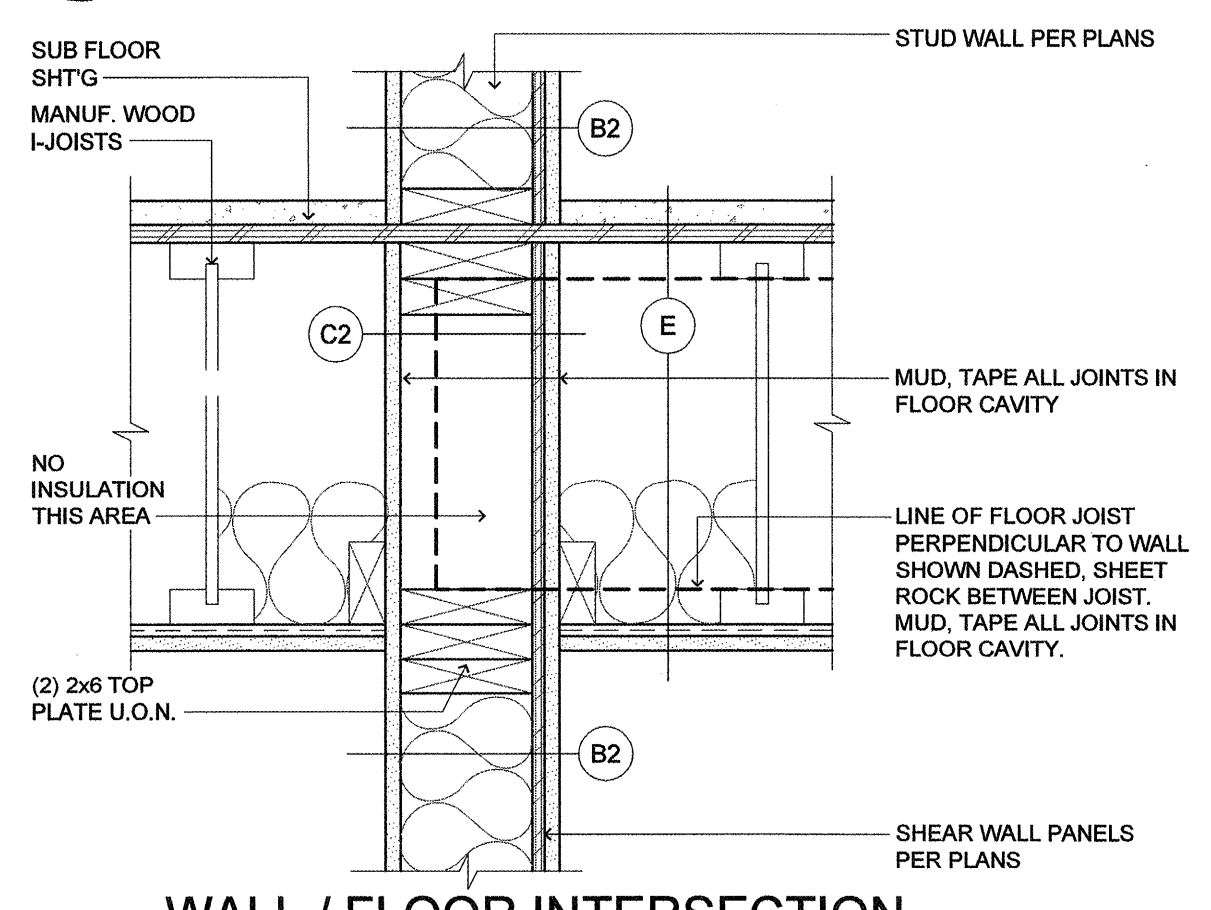
13 MEDICINE CAB (BATHROOM NON PARTY WALL)
SCALE: 1-1/2\"/>



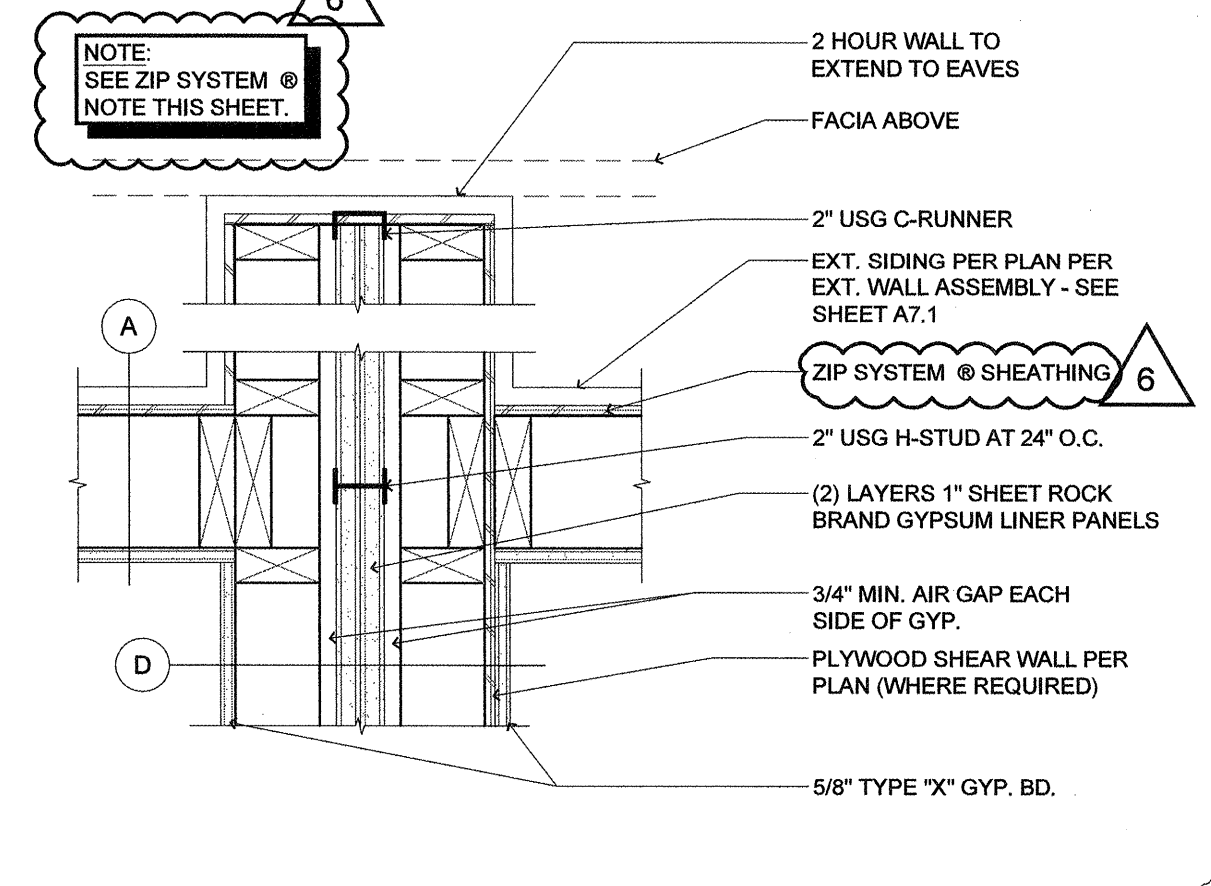
12 COLUMN AT DECK/FIRE WALL (METAL FIREWALL)
SCALE: 1-1/2\"/>



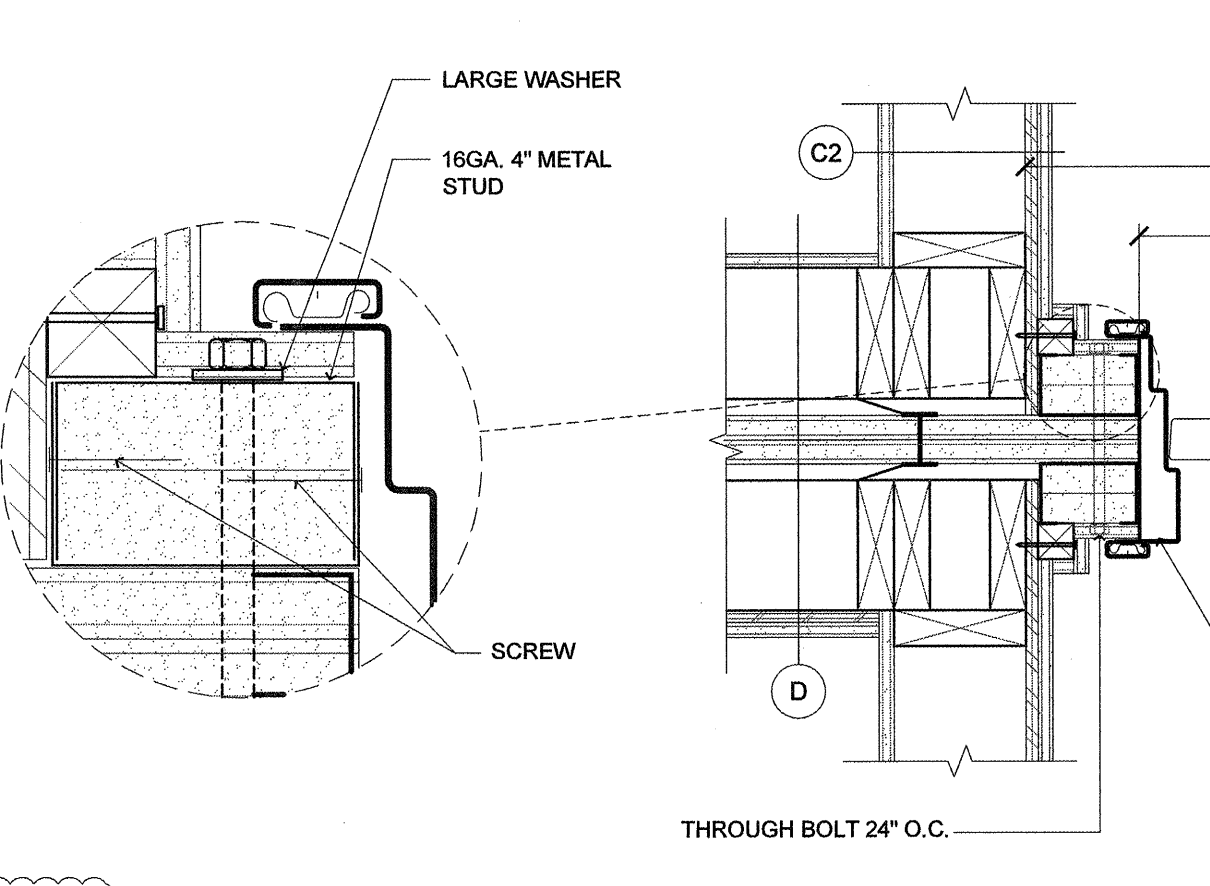
11 WALL / FLOOR INTERSECTION (DRAFT STOP/SMOKE BARRIER)
SCALE: 1-1/2\"/>



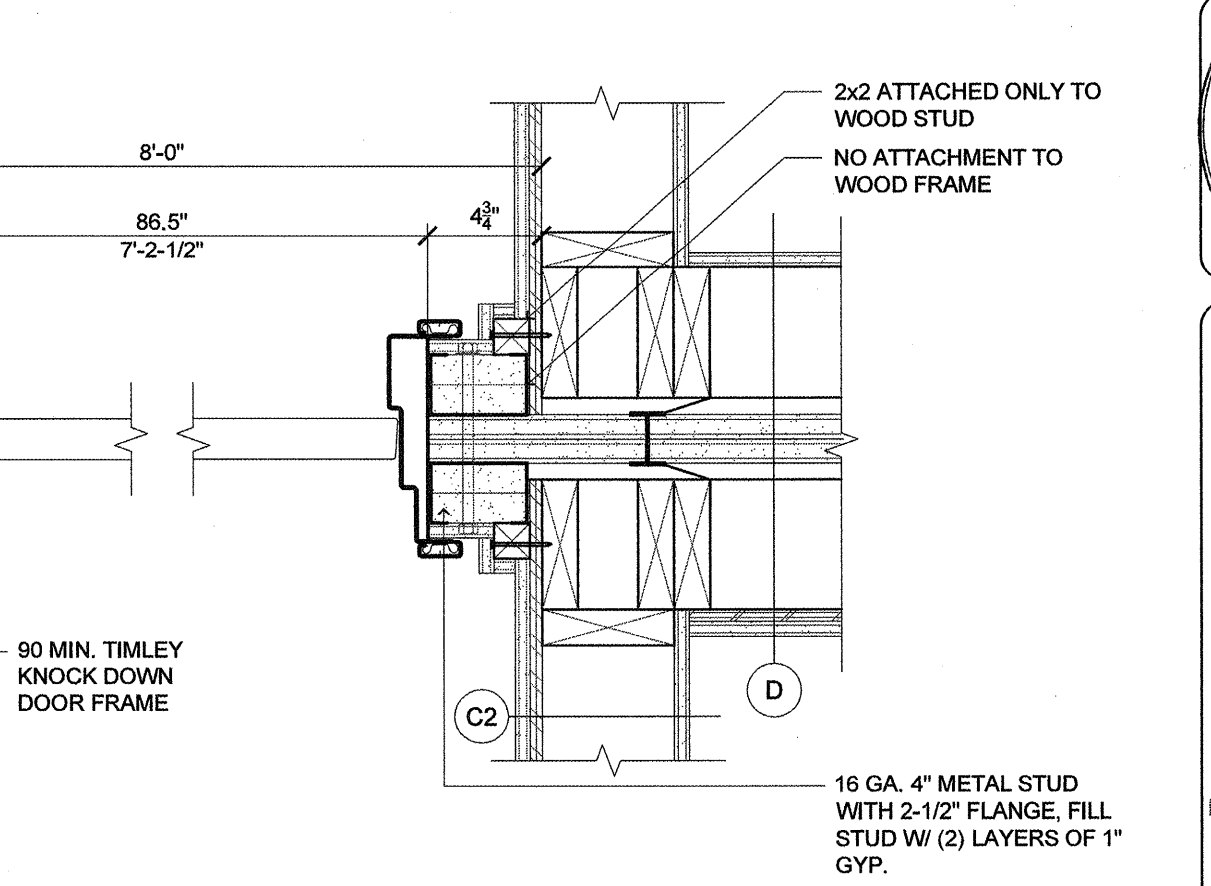
10 WALL / FLOOR INTERSECTION (1 HR FIRE BARRIER SEPARATION)
SCALE: 1-1/2\"/>



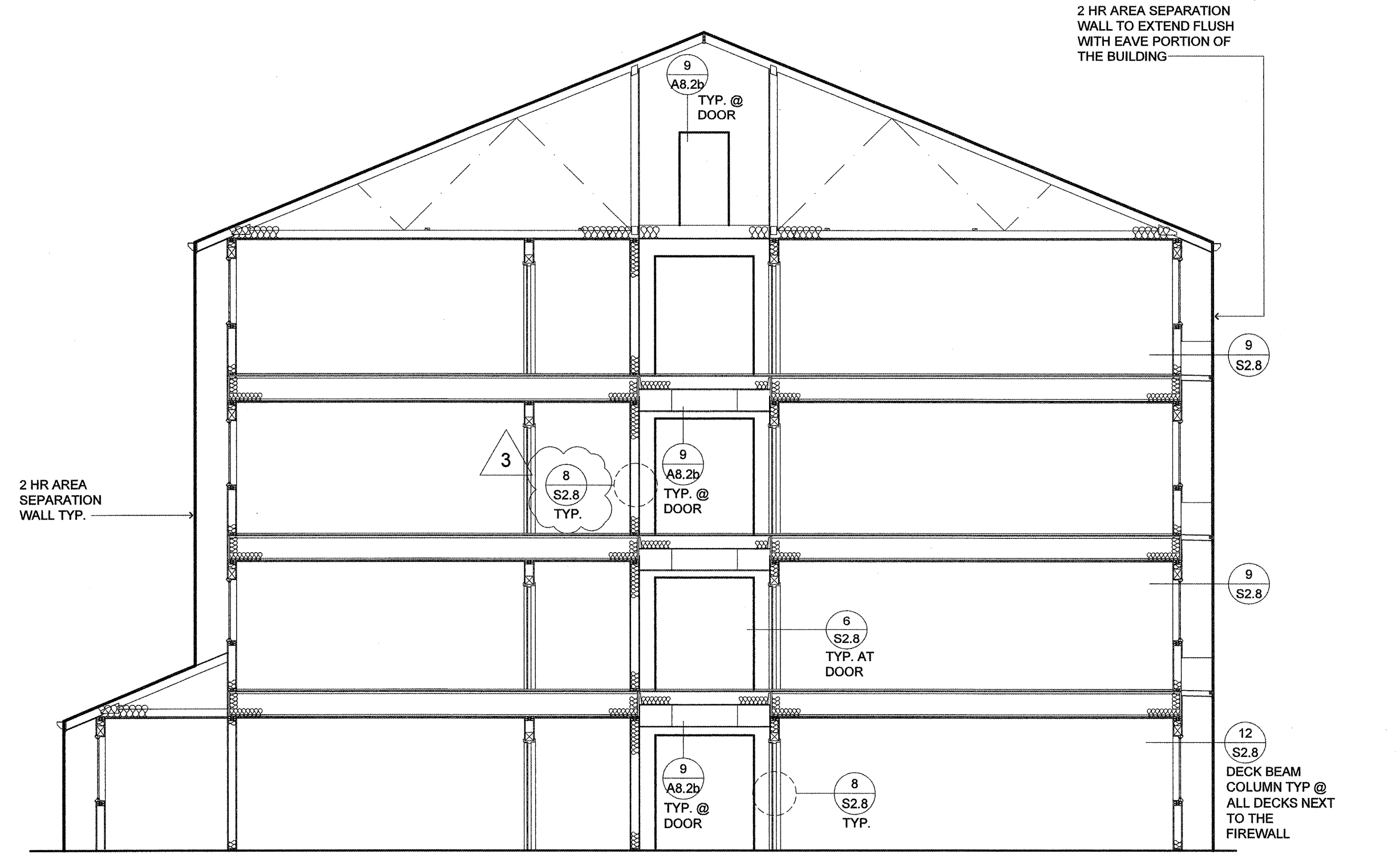
9 INT./EXT. WALL INTERSECTION (2 HR 2x6 INTERIOR/EXTERIOR WALL)
SCALE: 1-1/2\"/>



6 FIREWALL DOOR JAMB (AT CORRIDORS)
SCALE: 1-1/2\"/>



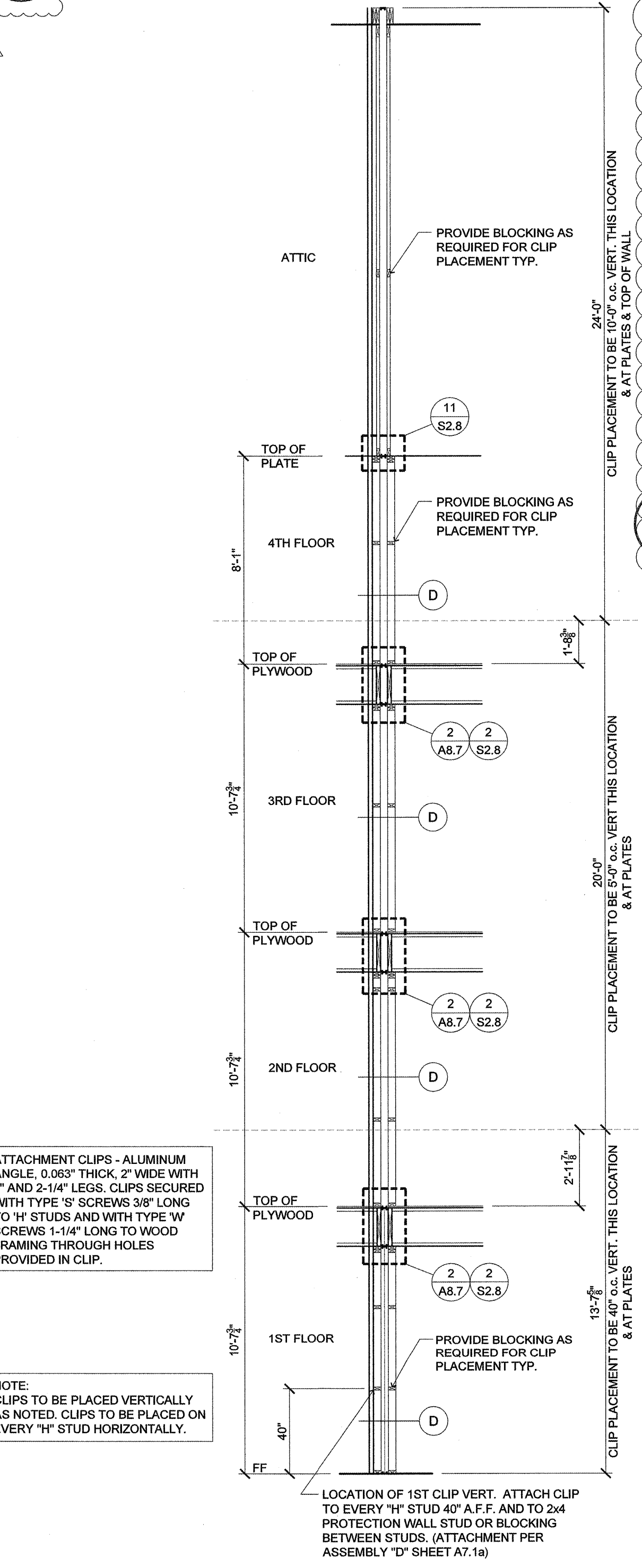
2 2 HOUR WALL/FLOOR INTERSECTION
SCALE: 1\"/>



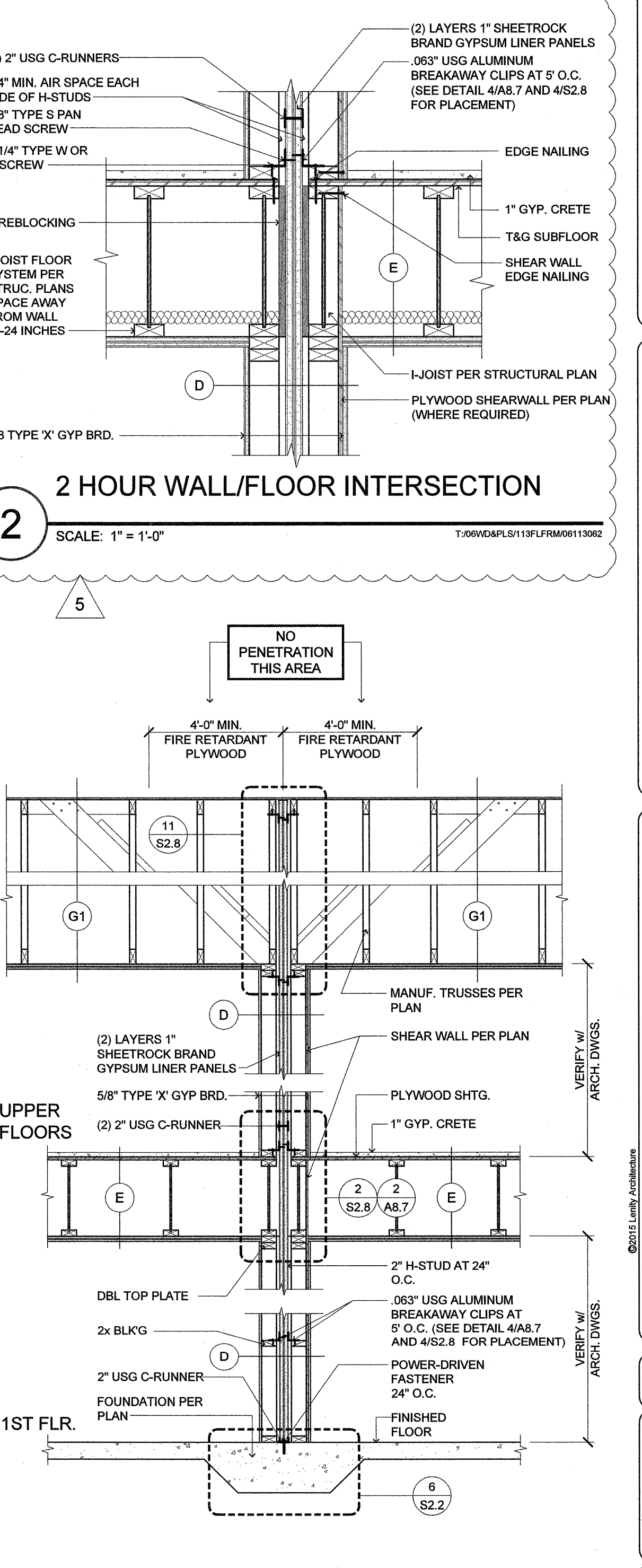
7 FIREWALL PROFILE (2 HR WALL)
SCALE: N.T.S. (1/160)

DTLS 3, 5, AND 8 NOT USED

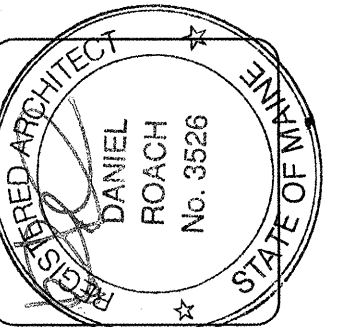
NOTE: ALL SEAMS AT ZIP SYSTEM 6 MUST BE TAPED BEFORE ANY DECKS OR LOWER ROOFS ARE ADDED. ALL ZIP SYSTEM 6 TAPE TO BE APPLIED WITH ROLLER. NO EXCEPTIONS.



4 ALUMINUM CLIP PLACEMENT (MTL. FIRE WALL TO WOOD PROTECTION WALL)
SCALE: 1/4\"/>



1 INT. 2 HR RATED WALL (WITH FRAMING PARALLEL)
SCALE: 1/2\"/>



lenity architecture
3150 Kettle Court SE, Salem, Oregon 97301
P: 503 399 1030 F: 503 399 0685 W: lenityarchitecture.com

COLSON AND COLSON GENERAL CONTRACTOR, INC.
22860 MCGILCHRIST STREET SE, SUITE 200 SALEM, OREGON 97302
PHONE (503) 586-7401

PORTLAND RETIREMENT RESIDENCE
802 OCEAN AVE., PORTLAND, MAINE 04103

FIREWALL AND INTERIOR RATED DETAILS

DATE: 8/28/2015
REVISED DATE: 4/15/2016
SHEET: A8.7

DATE PLOTTED: 8/28/2015 12:18 PM; PLOTTER: HP DesignJet 2500; PLOT SCALE: 1/4\"/>