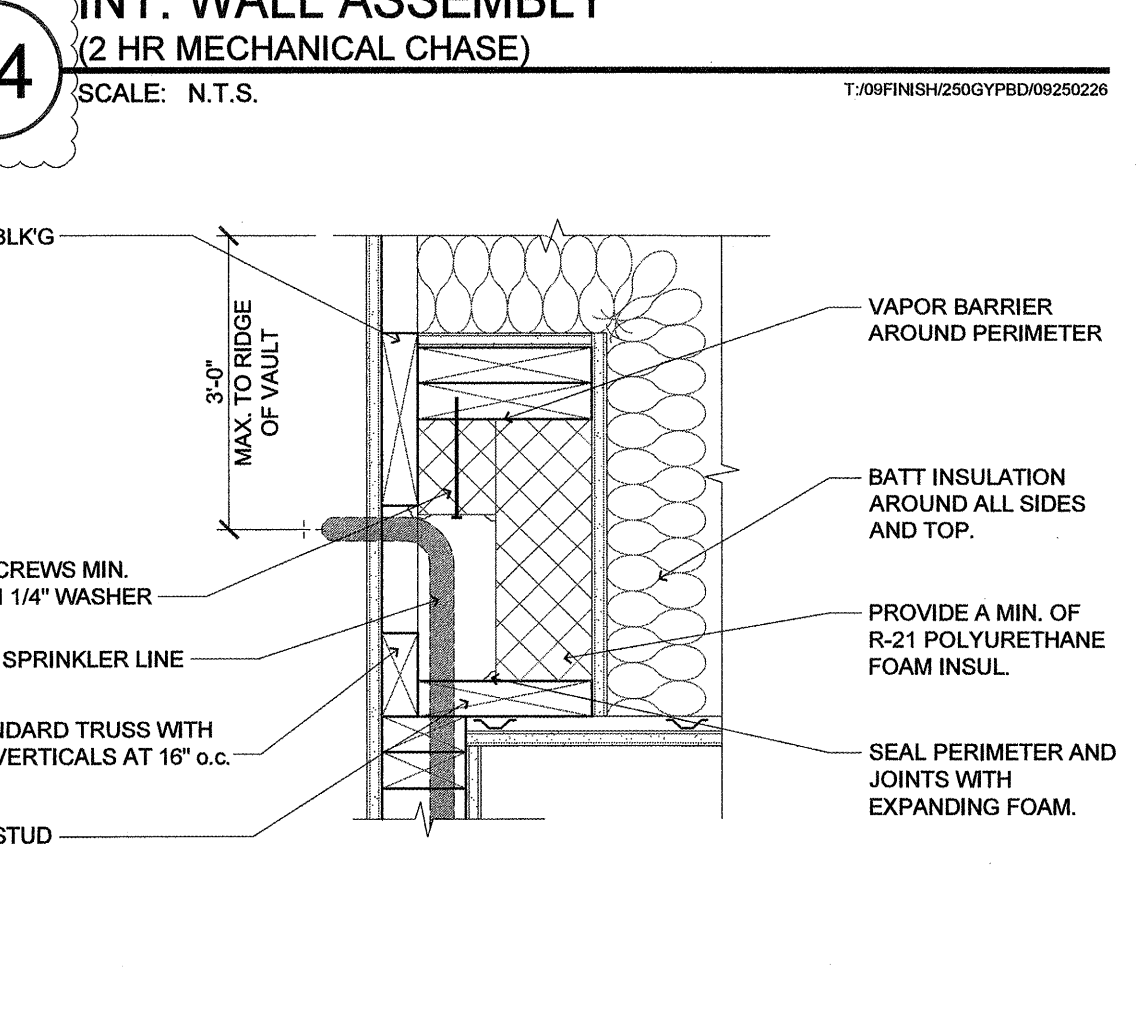
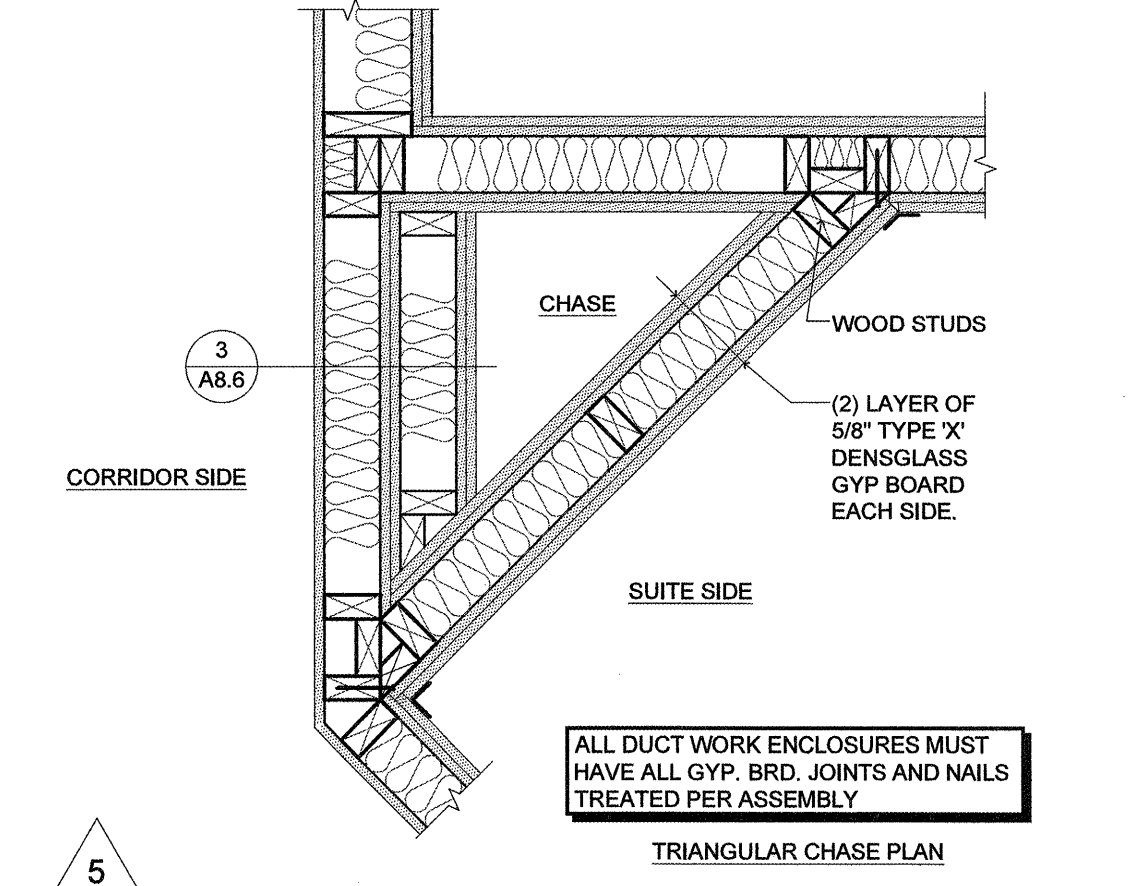
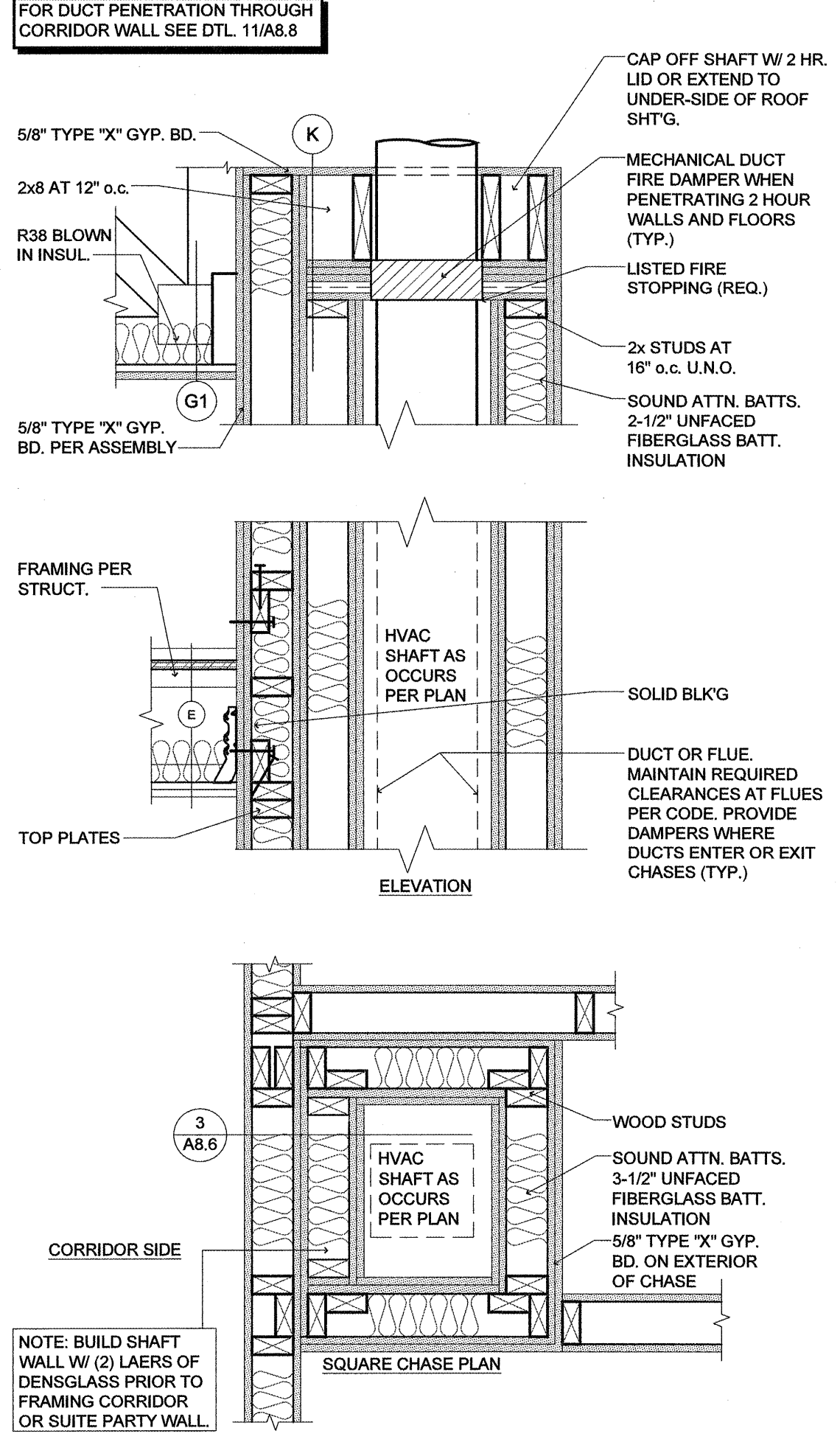
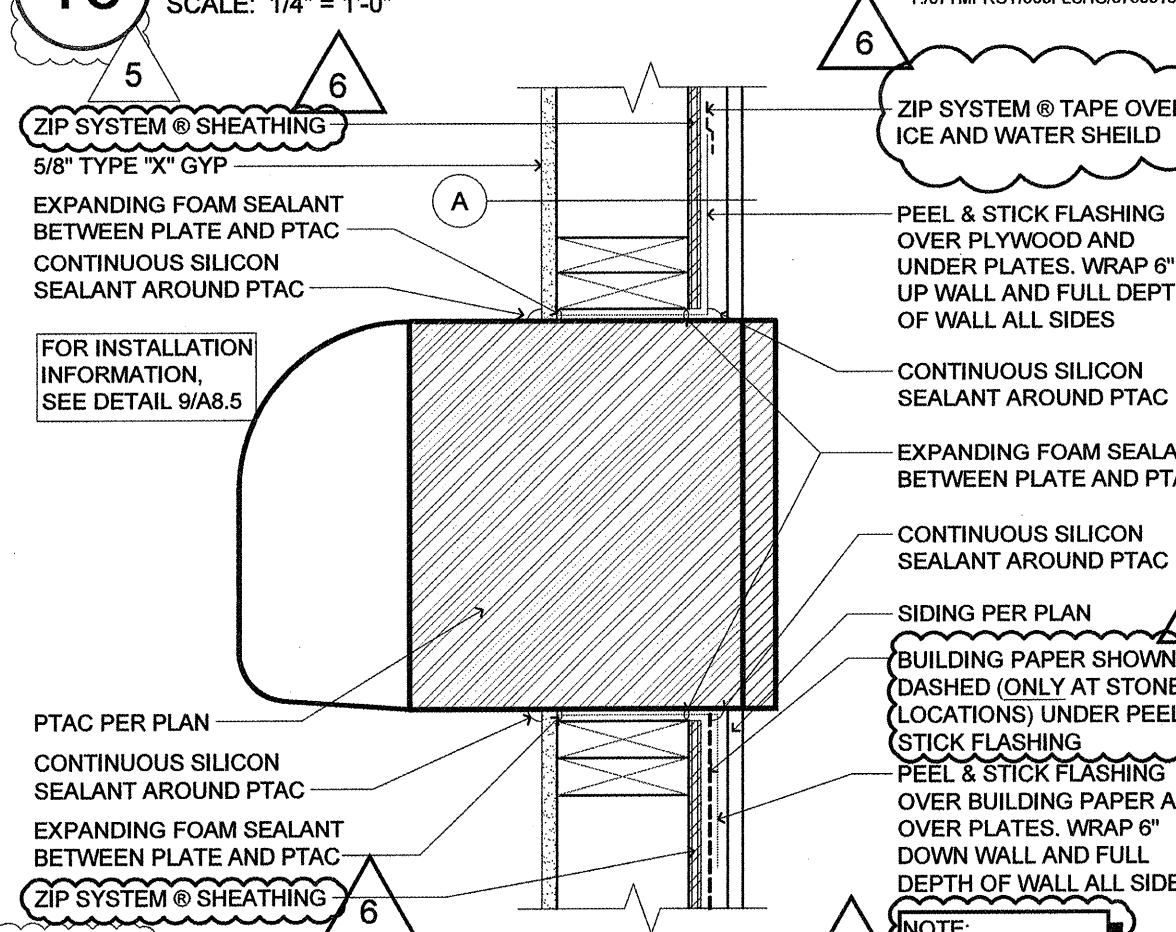
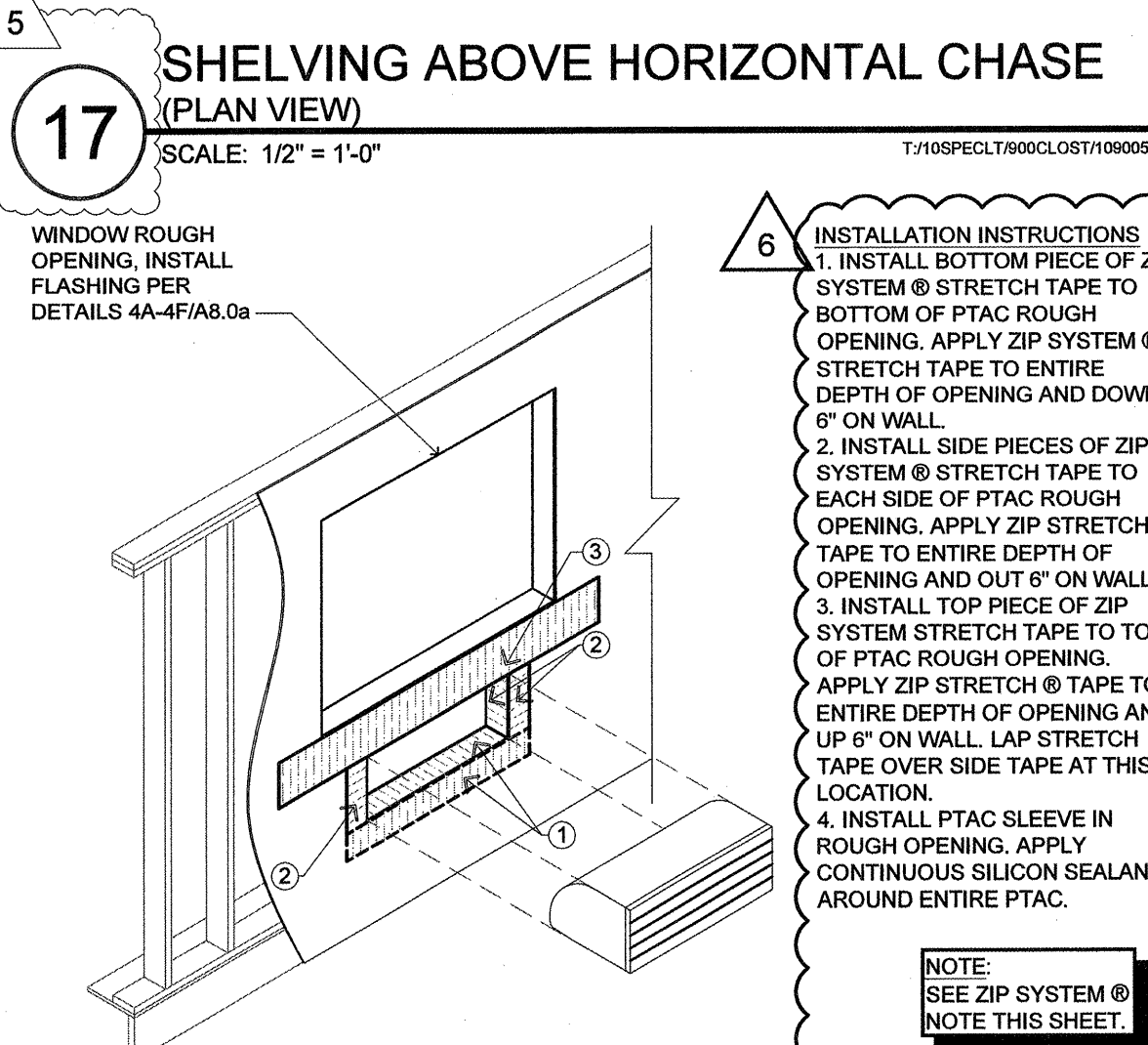
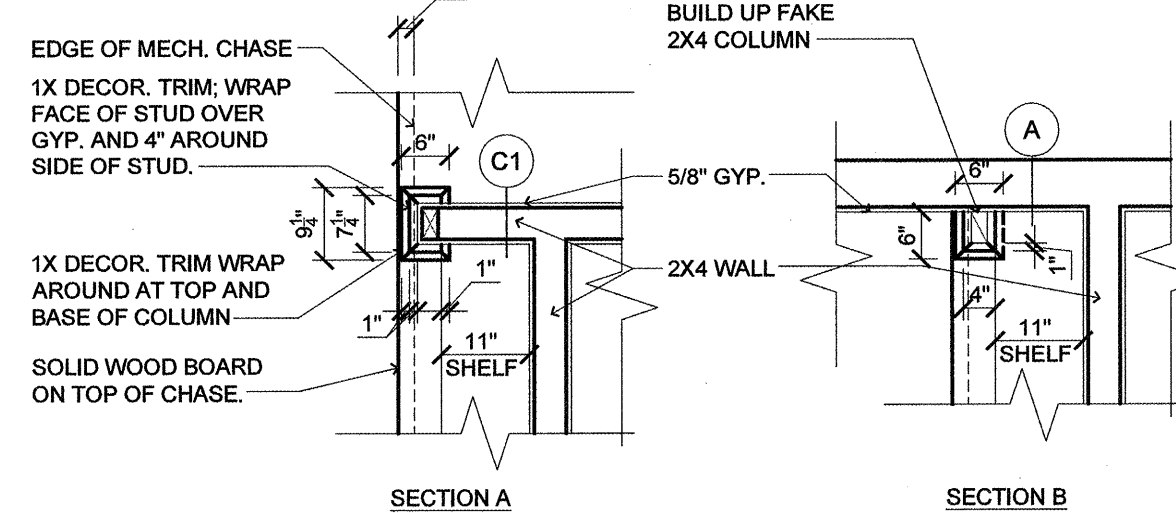
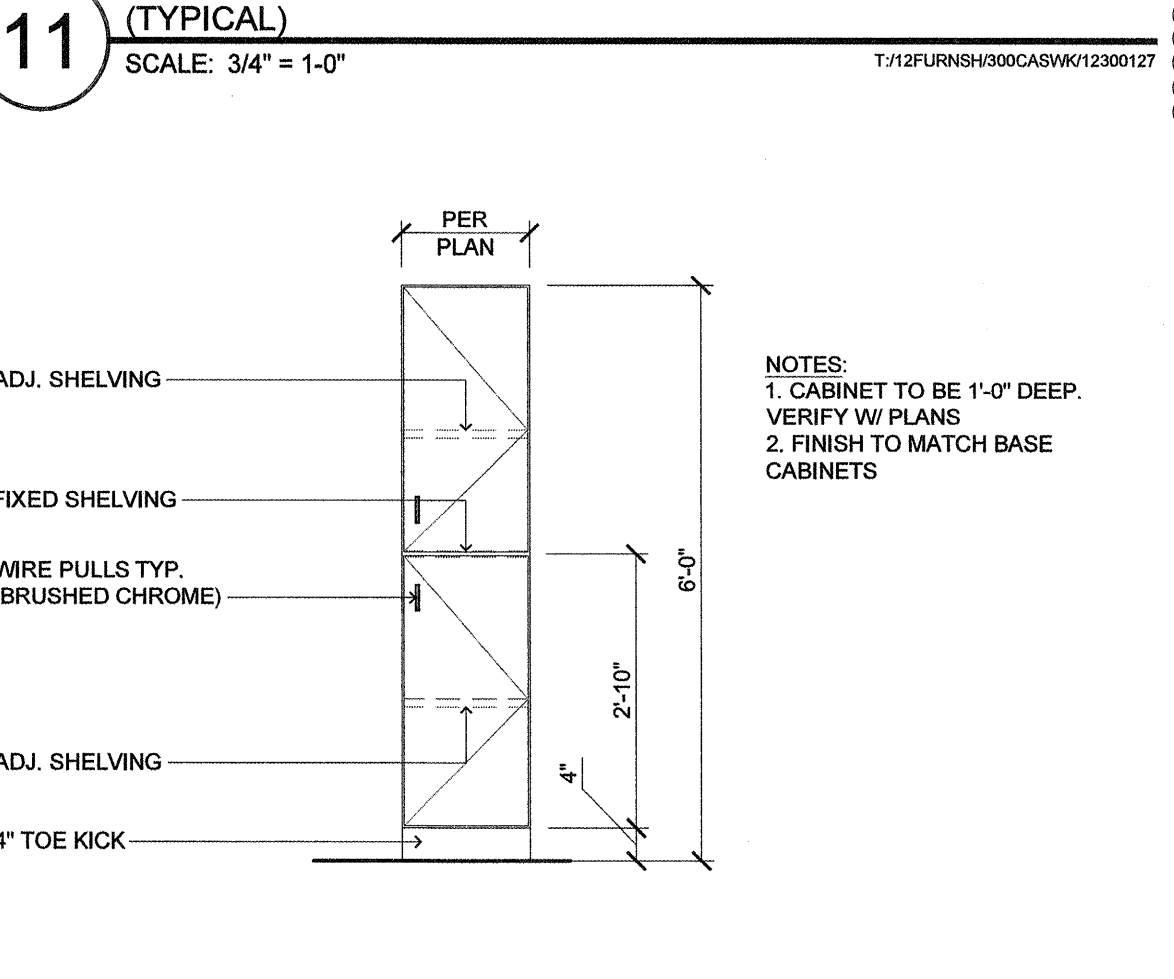
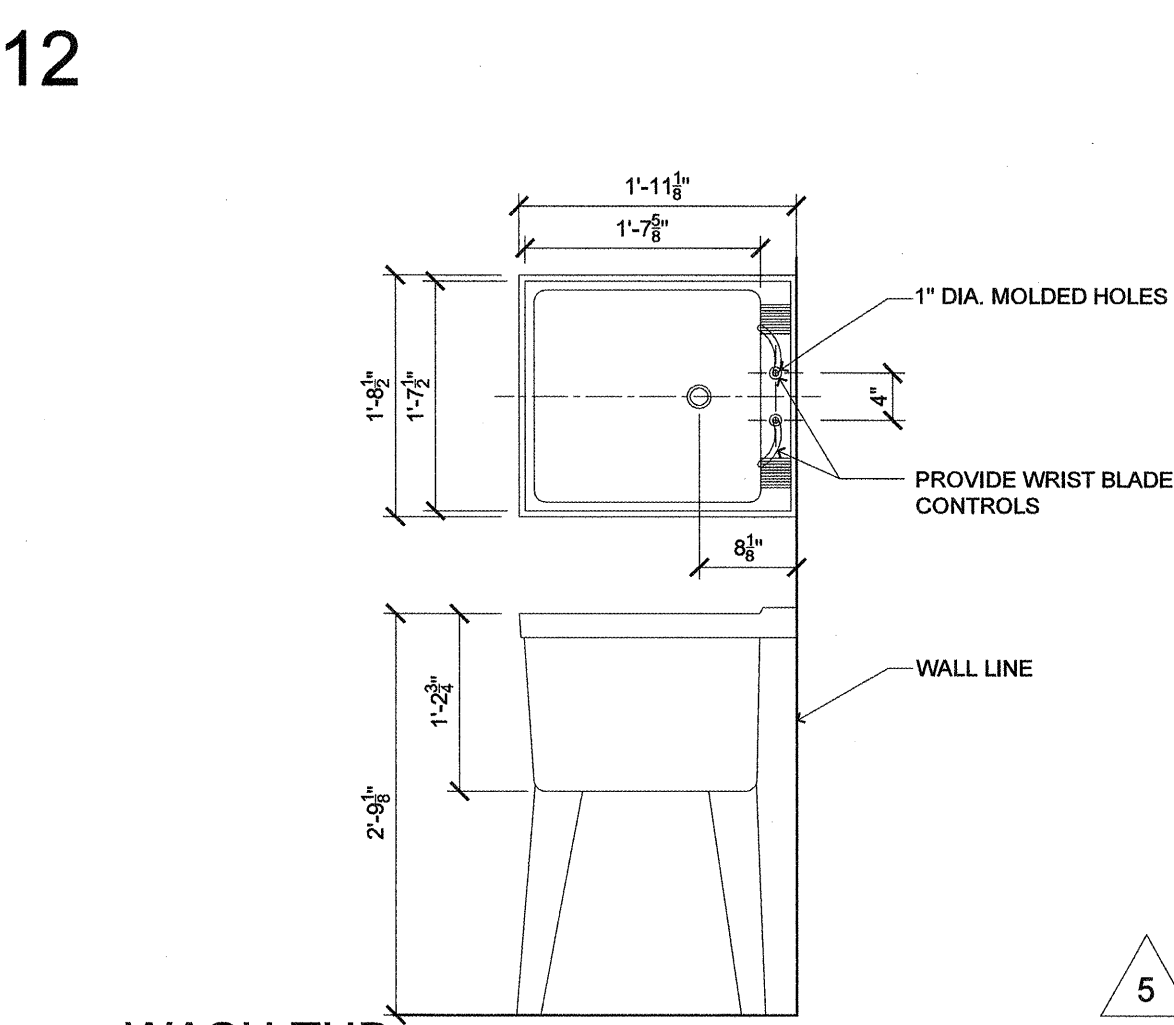


**NOTE:**  
ALL SEAMS AT ZIP SYSTEM® MUST BE TAPED BEFORE ANY DECKS OR LOWER ROOFS ARE ADDED. ALL ZIP SYSTEM® TAPE TO BE APPLIED WITH ROLLER, NO EXCEPTIONS.

**NOTE:**  
BUILDING PAPER TO ONLY BE USED AT STONE LOCATIONS. ALL JOINTS TO BE TAPED WITH SHEATHING TAPE. SYSTEM MUST BE INSTALLED IN ACCORDANCE WITH MANUF. INSTALLATION INSTRUCTIONS TO PROVIDE 10 YR. WARRANTY TO GENERAL CONTRACTOR.

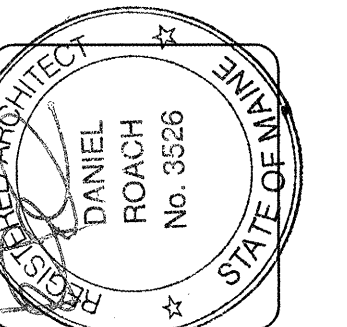
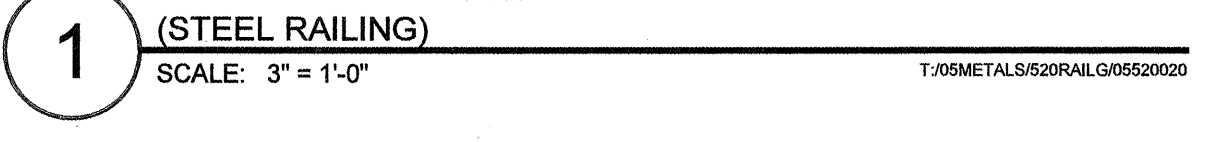
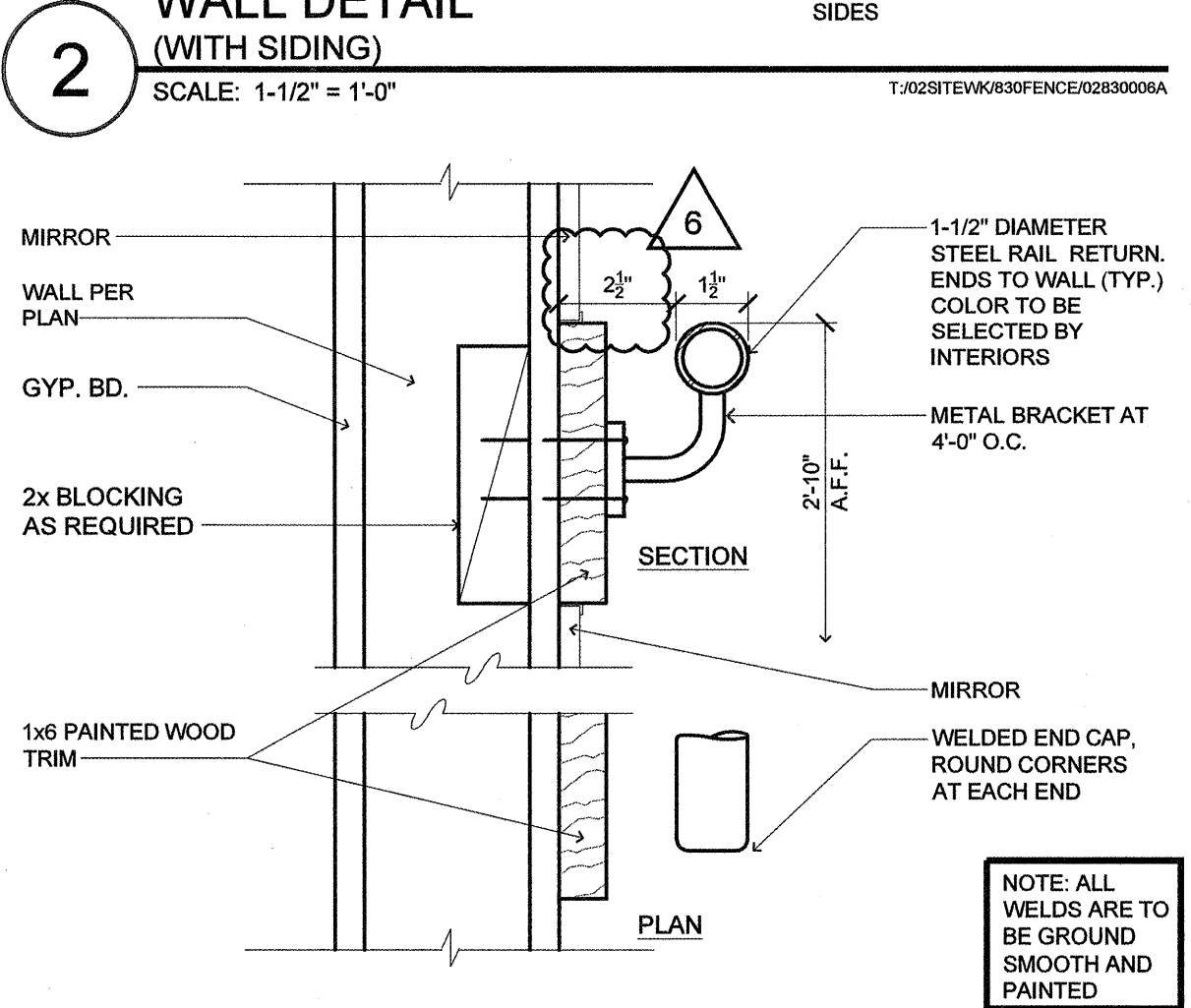
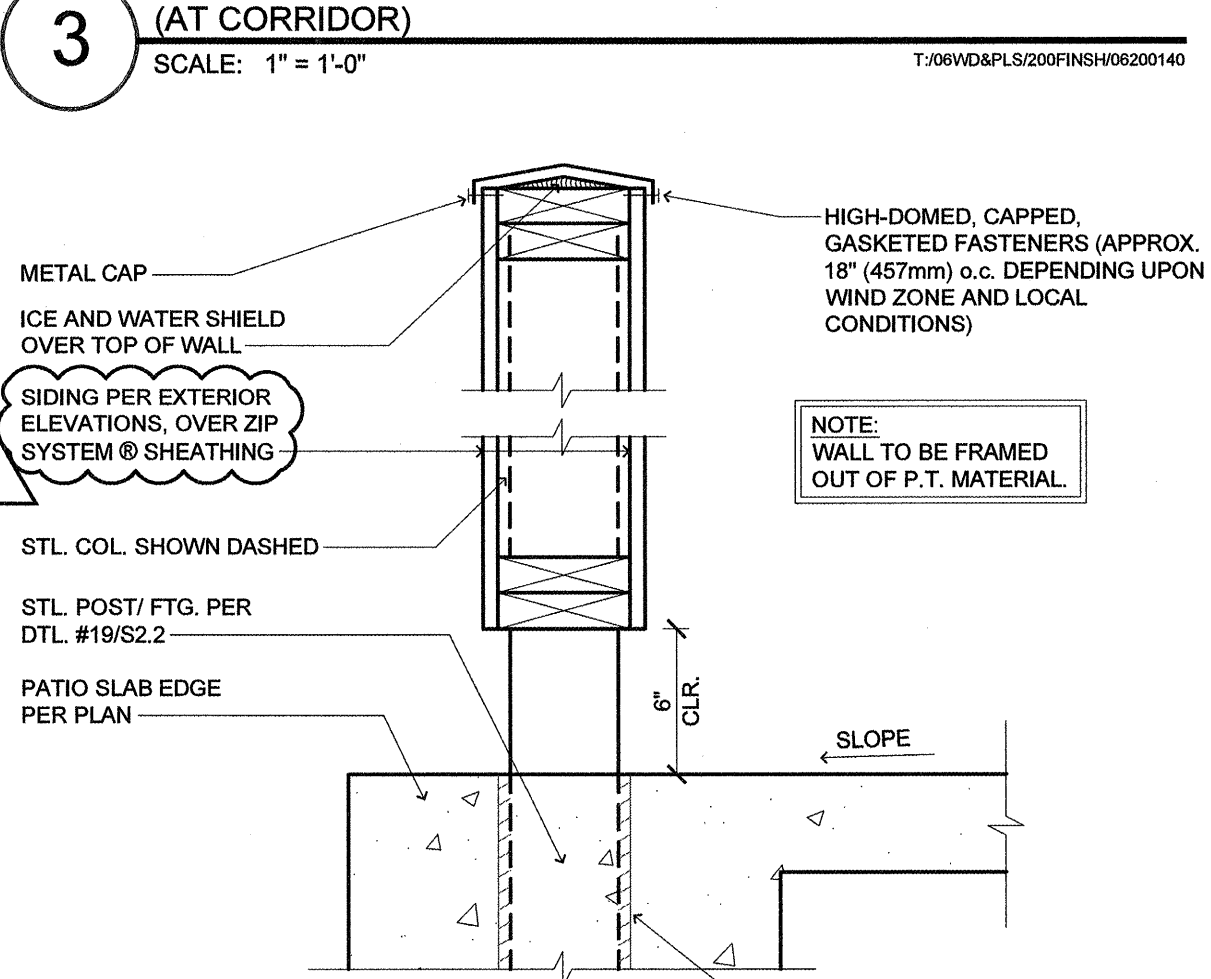
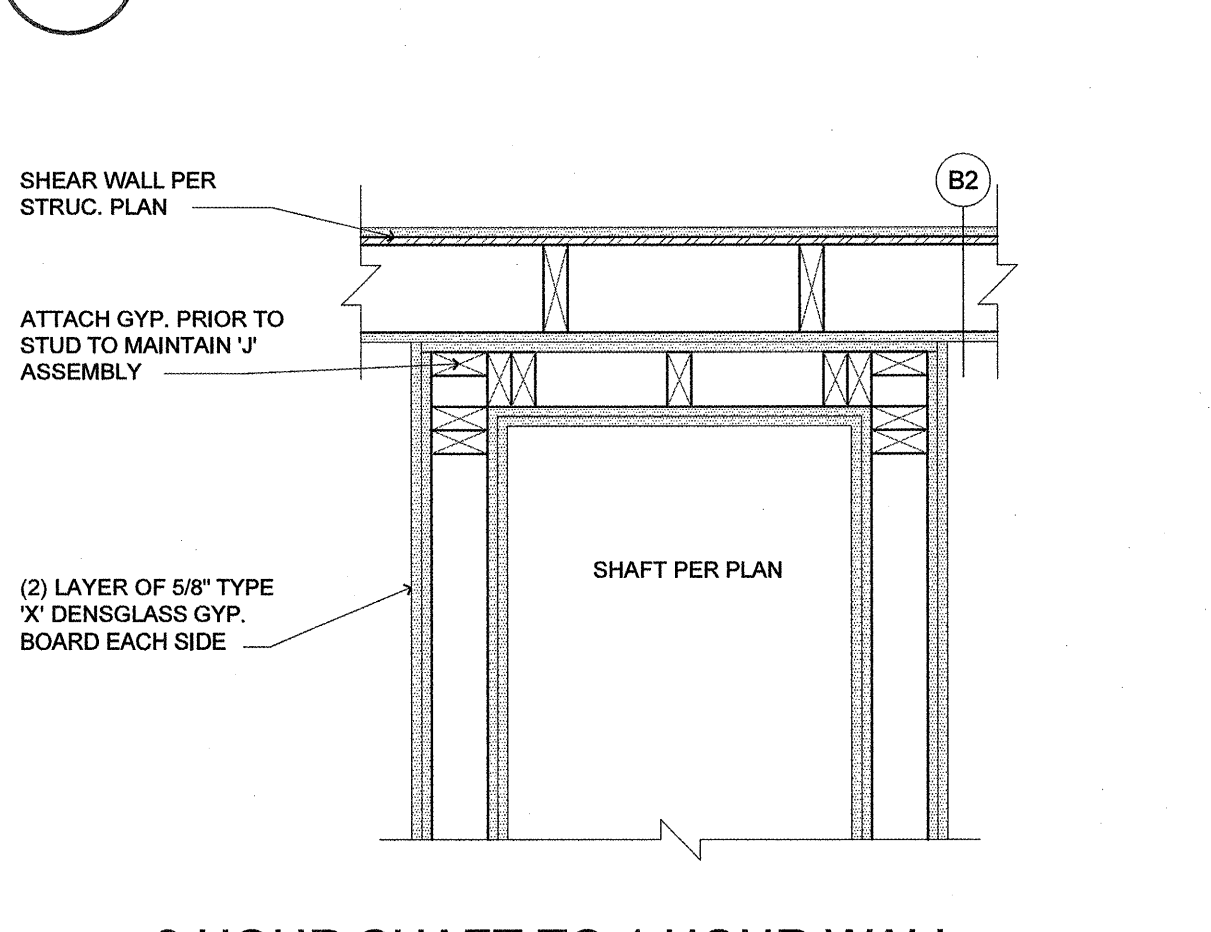
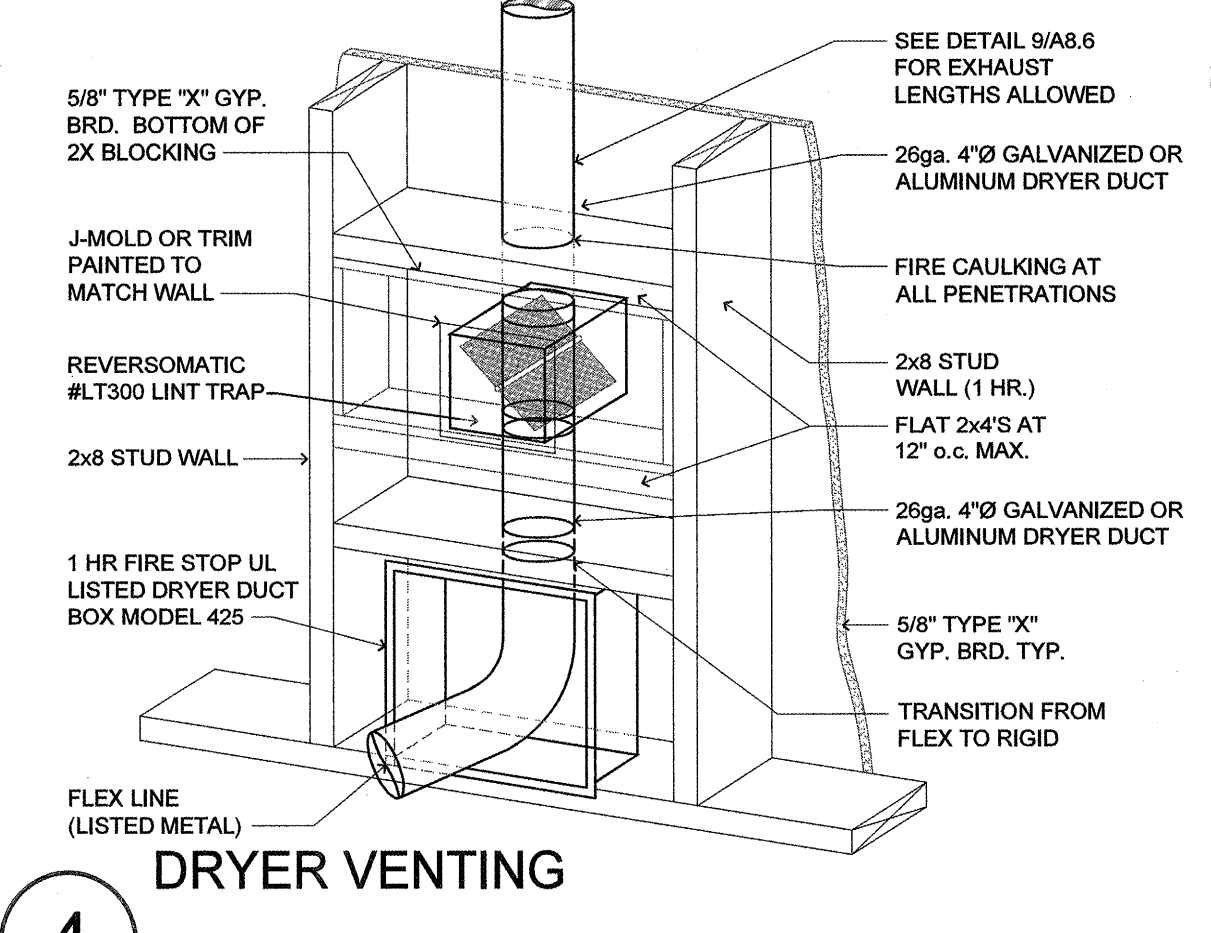
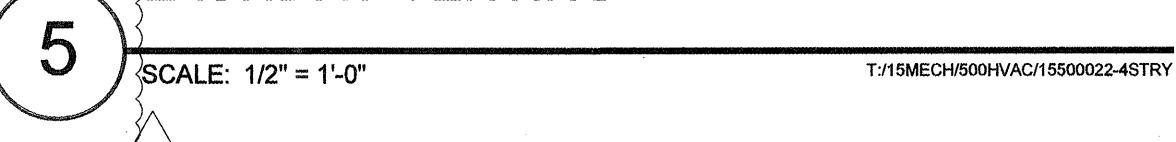
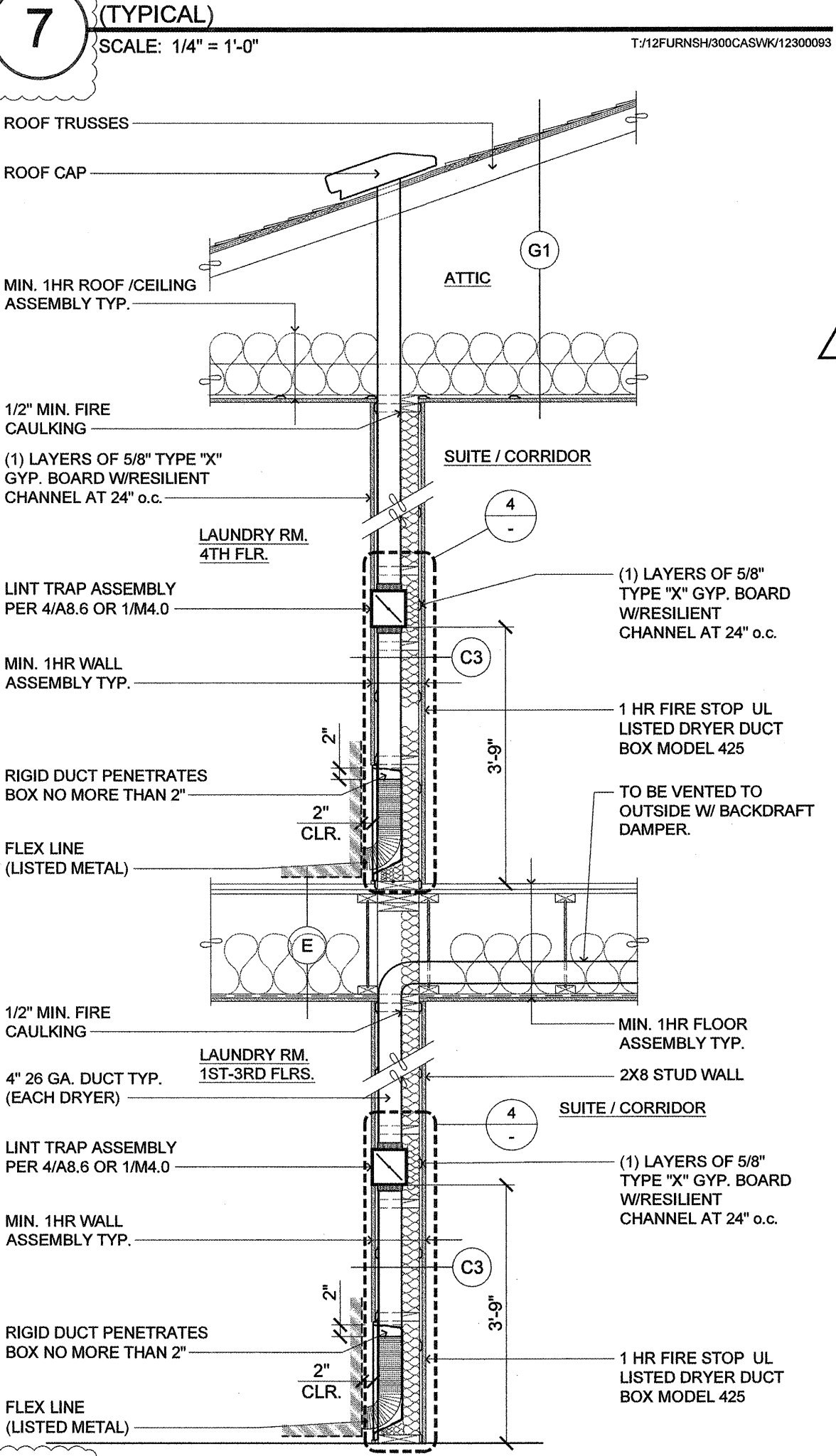
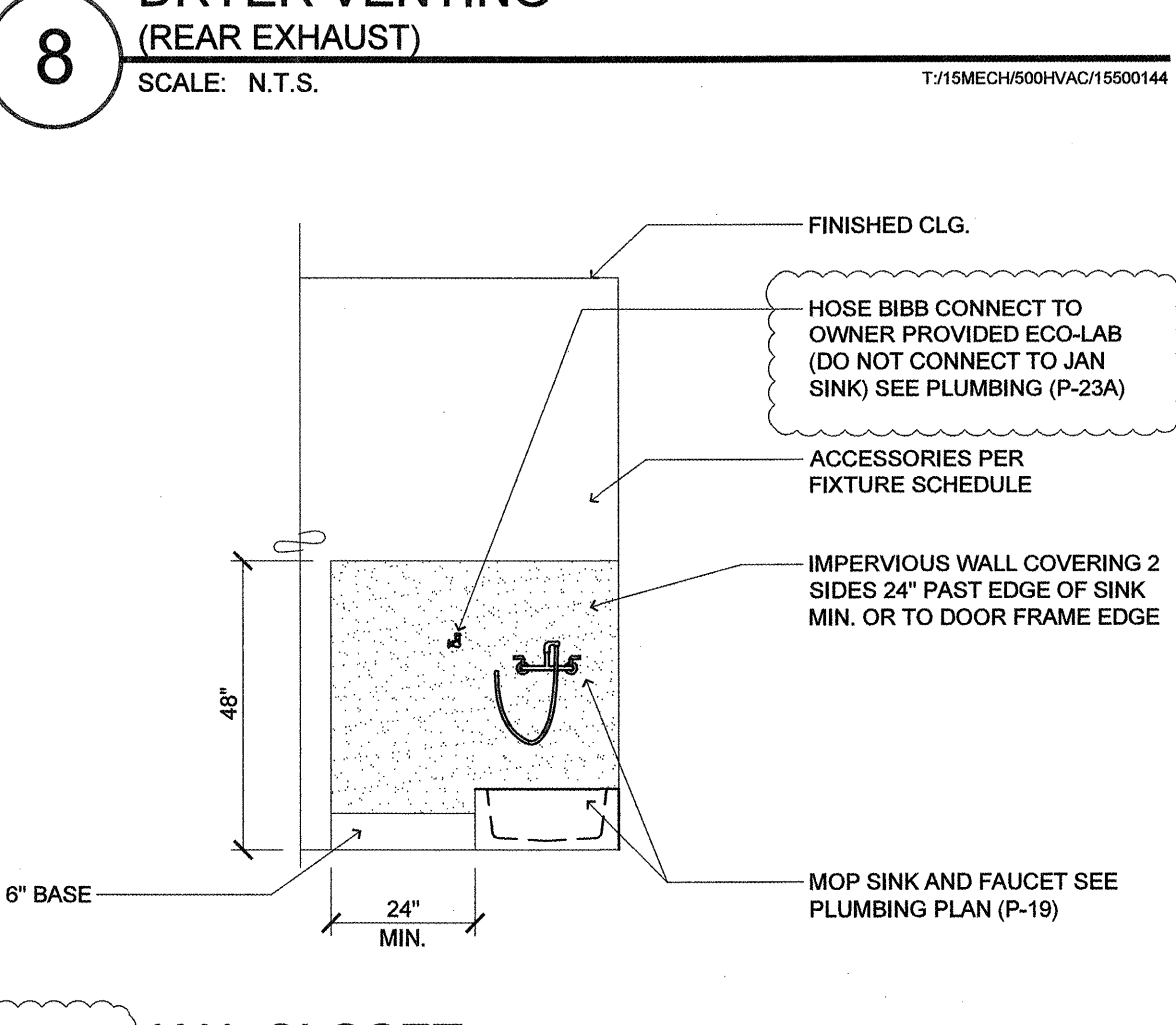
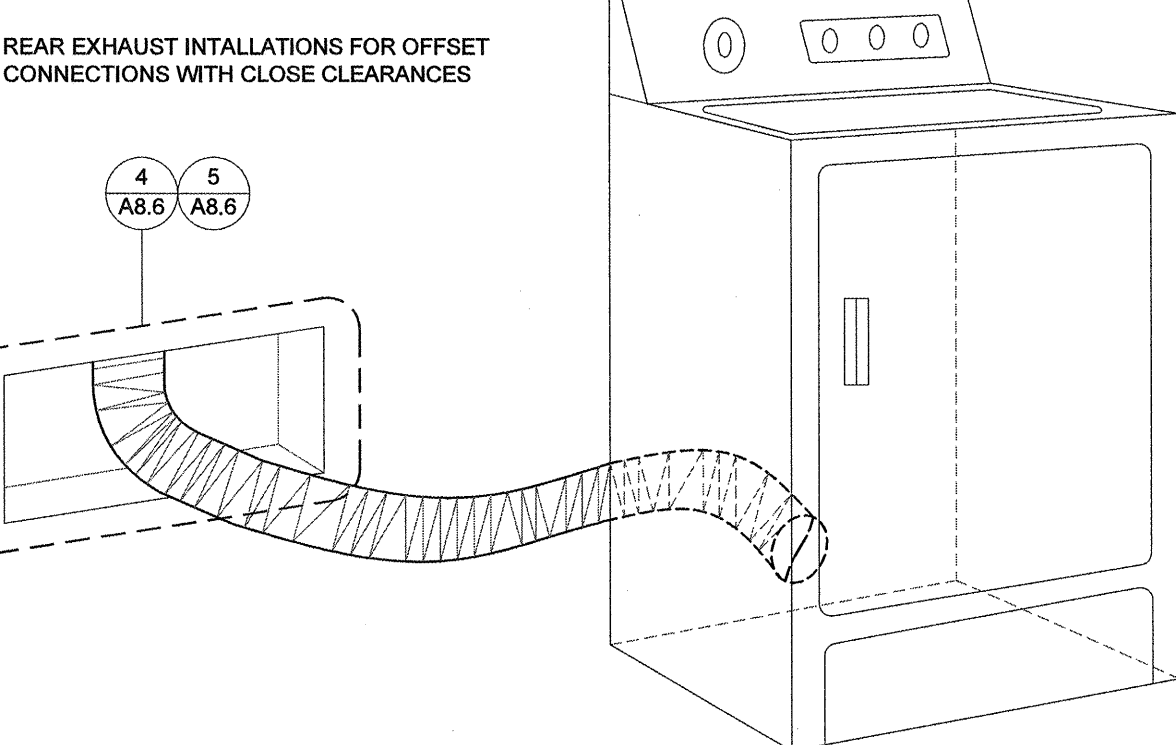


NOT USED



**9** DRYER VENTING (EXHAUST LENGTHS)  
SCALE: N.T.S.

VENT LENGTH CHART	NUMBER OF 90° TURNS OR ELBOWS	TYPE OF VENT	4" ANGLED OR LOUVERED HOODS	2-1/2" ANGLED HOODS
0		RIGID METAL FLEXIBLE METAL	150 ft. (20 m) 55 ft. (11 m)	125 ft. (17.7 m) 45 ft. (8.5 m)
1		RIGID METAL FLEXIBLE METAL	135 ft. (16.5 m) 52 ft. (9.4 m)	115 ft. (14.6 m) 42 ft. (7 m)
2		RIGID METAL FLEXIBLE METAL	125 ft. (13.4 m) 49 ft. (8.2 m)	105 ft. (11.6 m) 39 ft. (5.8 m)
3		RIGID METAL FLEXIBLE METAL	115 ft. (10.7 m) 46 ft. (7.6 m)	95 ft. (8.8 m) 36 ft. (5.2 m)
4		RIGID METAL FLEXIBLE METAL	105 ft. (8.2 m) 43 ft. (7 m)	85 ft. (6.4 m) 33 ft. (4.6 m)
5		RIGID METAL FLEXIBLE METAL	95 ft. (8.2 m) 40 ft. (7 m)	75 ft. (6.4 m) 30 ft. (4.6 m)



**lenity architecture**  
3160 Kettle Court, SE, Salem, Oregon 97301  
P: 503.399.1050 F: 503.399.0665  
www.lenityarchitecture.com

**COLSON AND COLSON**  
GENERAL CONTRACTOR, INC.  
2280 McGILCHRIST STREET SE, SUITE 200  
SALEM, OREGON 97302  
PHONE (503) 586-7401

**PORTLAND**  
RETIREMENT RESIDENCE  
802 OCEAN AVE. PORTLAND, MAINE 04103

**MISC. ELEVATIONS AND DETAILS**

DATE: 8/28/2015  
REVISED DATE:  
SHEET: A8.6

5/7/18/2016 26.31/3/2017