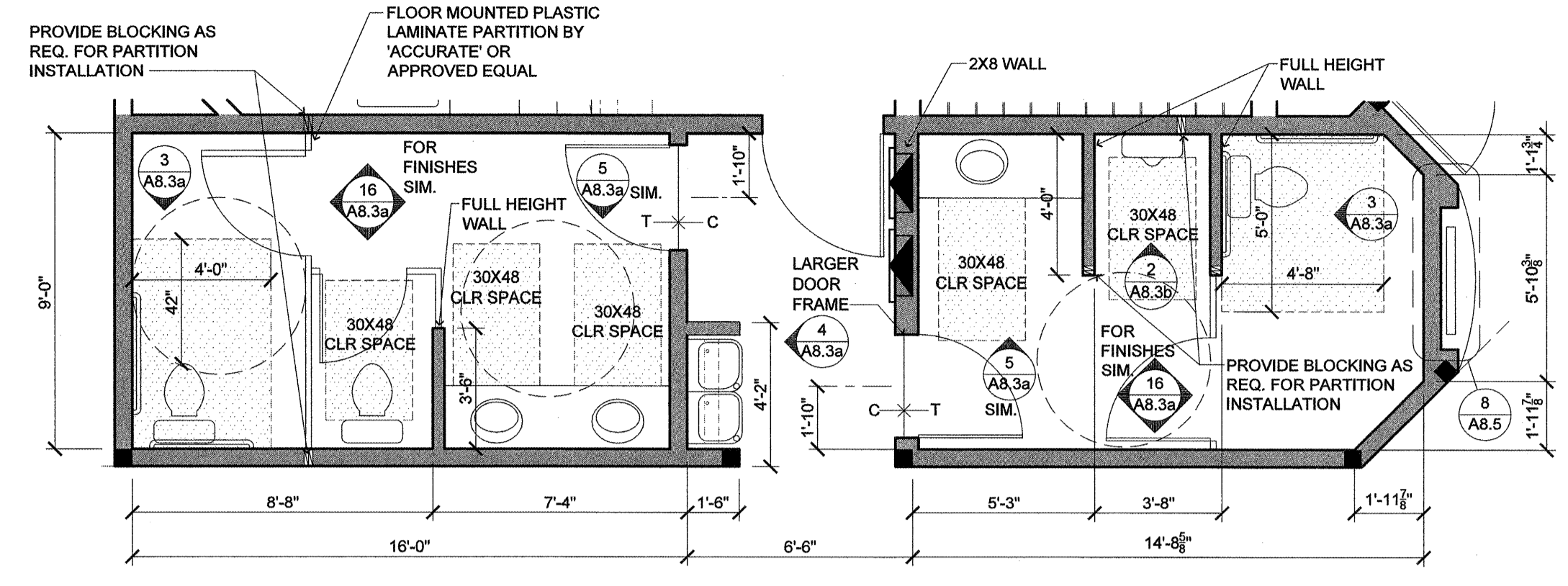
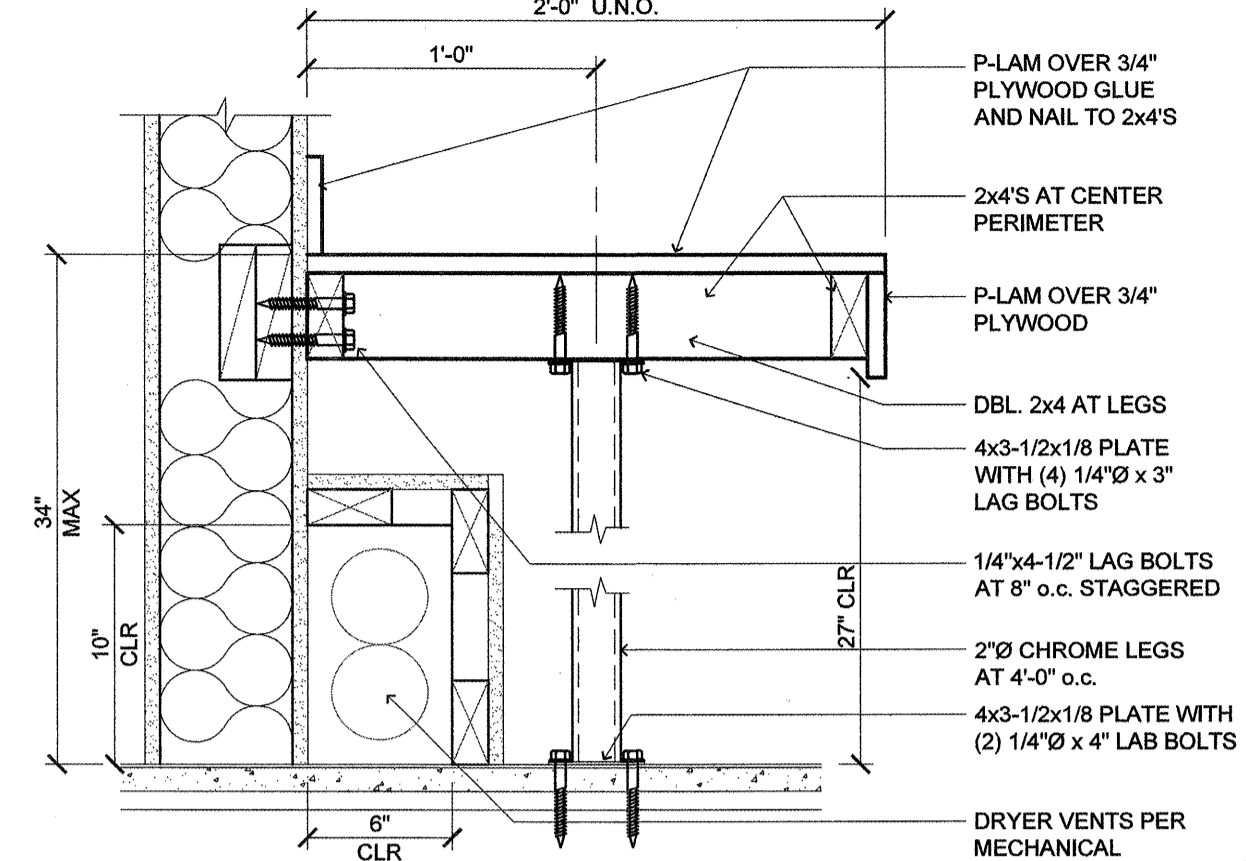


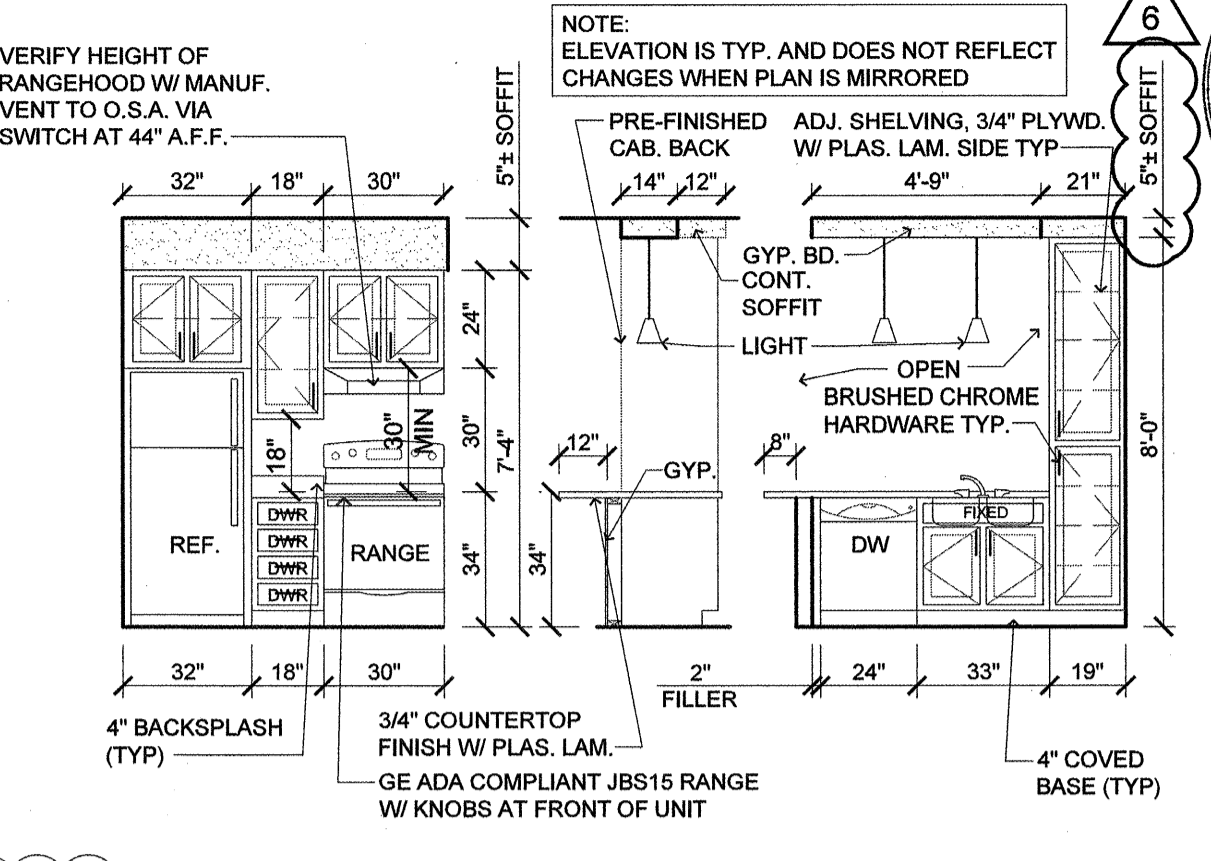
16 INTERIOR ELEVATION (SUITE CLOSET WITH CHASE) SCALE: 3/8" = 1'-0"



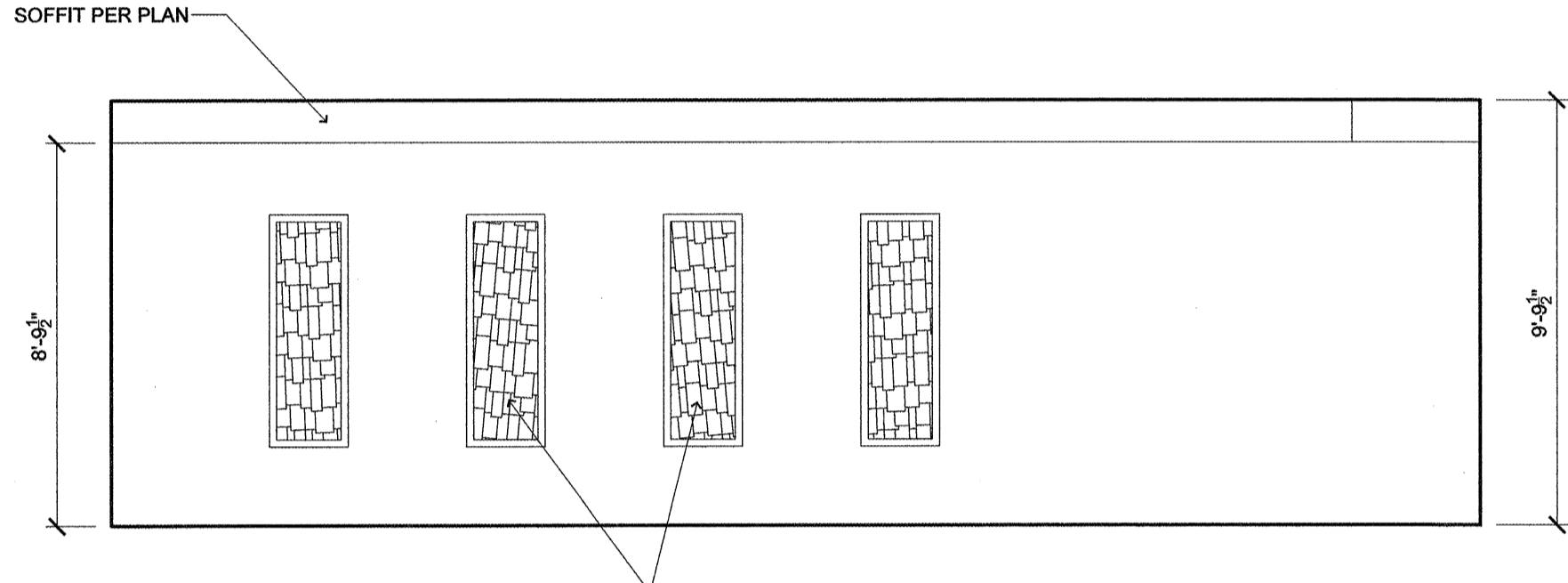
11 ENLARGED BATHROOM (GROUND FLOOR) SCALE: 1/4" = 1'-0"



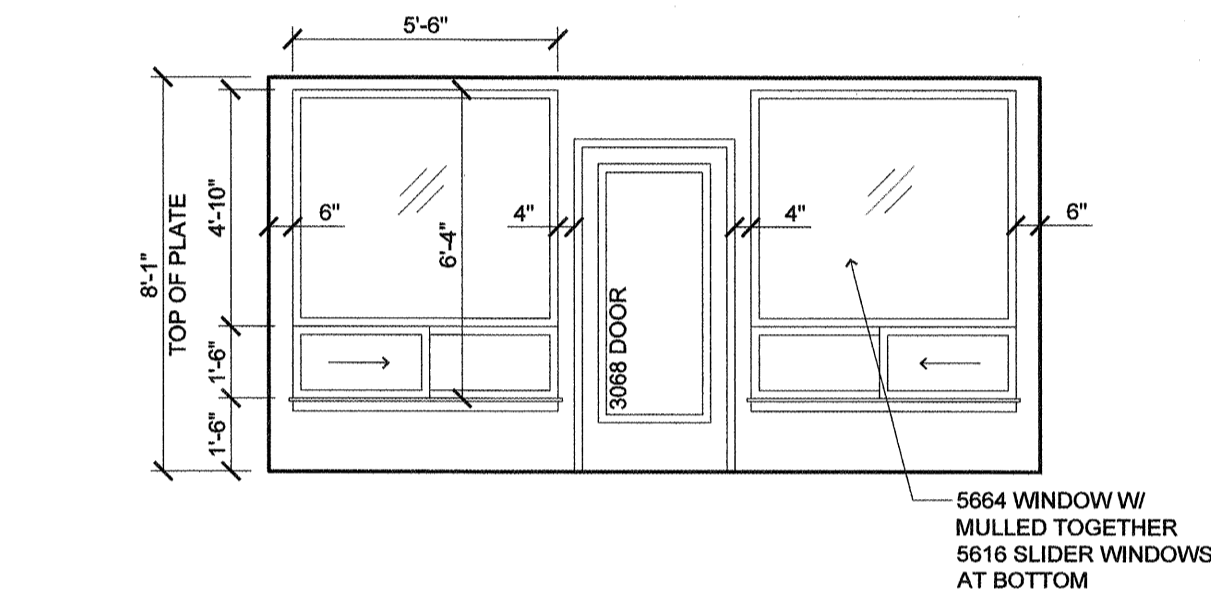
7 DRYER VENTING (SOFFIT) SCALE: 1-1/2" = 1'-0"



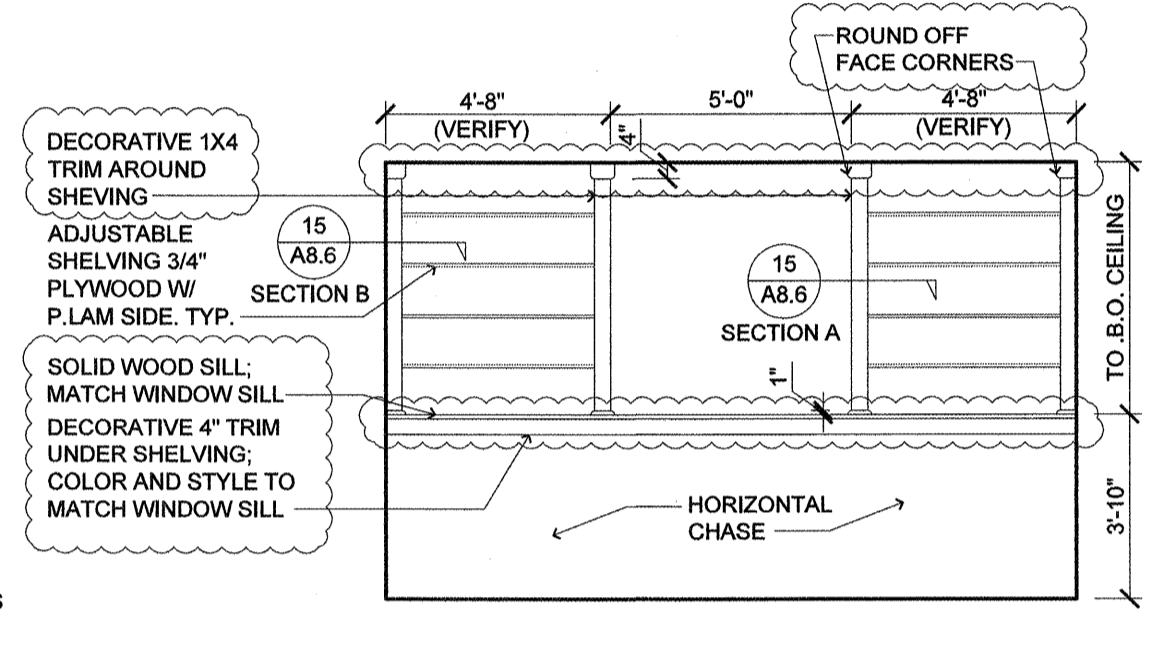
3 INTERIOR ELEVATION (CO-MANAGER'S KITCHEN) SCALE: 1/4" = 1'-0"



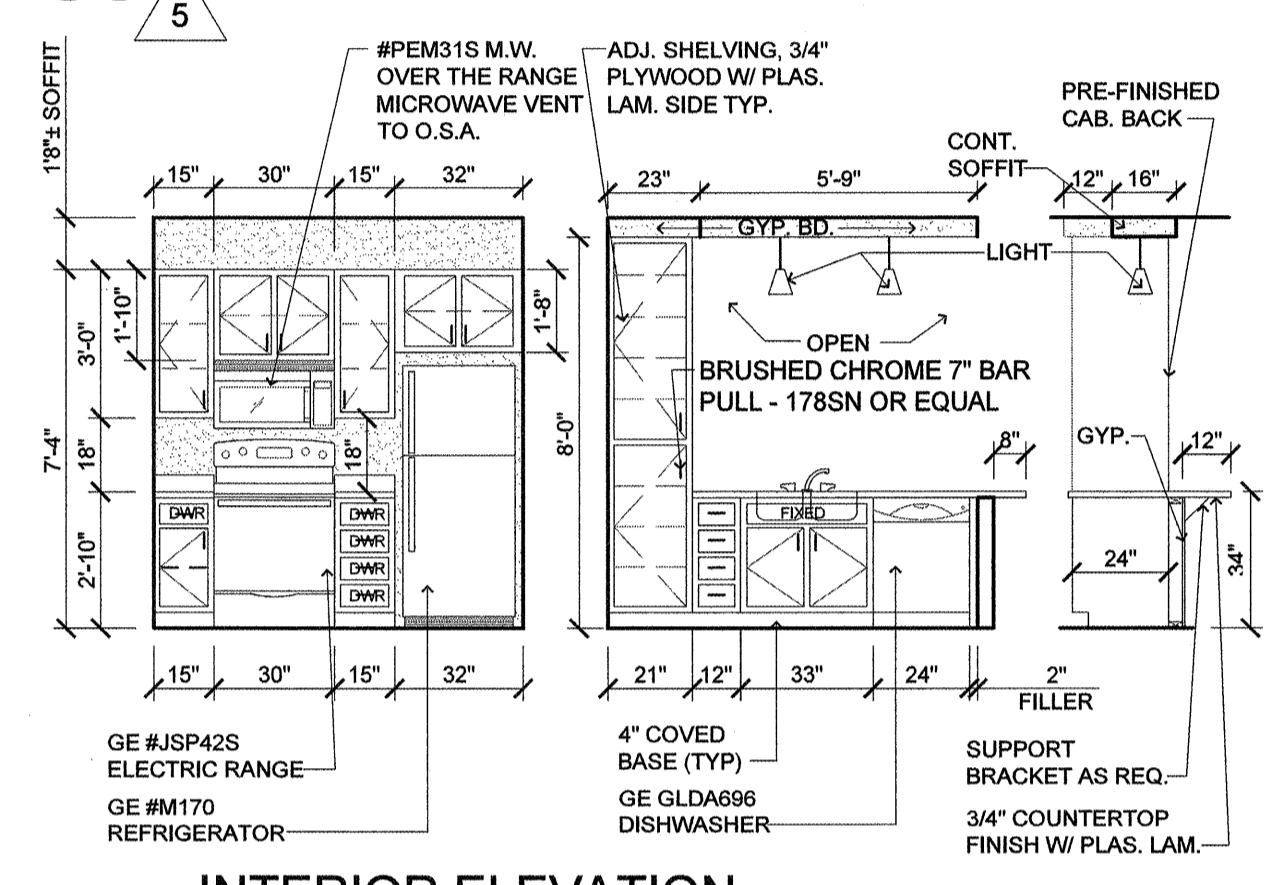
15 INTERIOR ELEVATION (EXERCISE) SCALE: 1/4" = 1'-0"



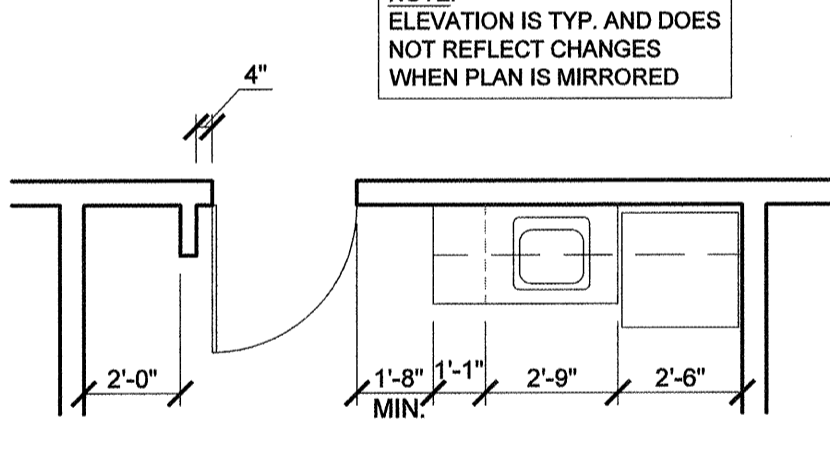
10 INTERIOR ELEVATION (SUN DECK) SCALE: 1/4" = 1'-0"



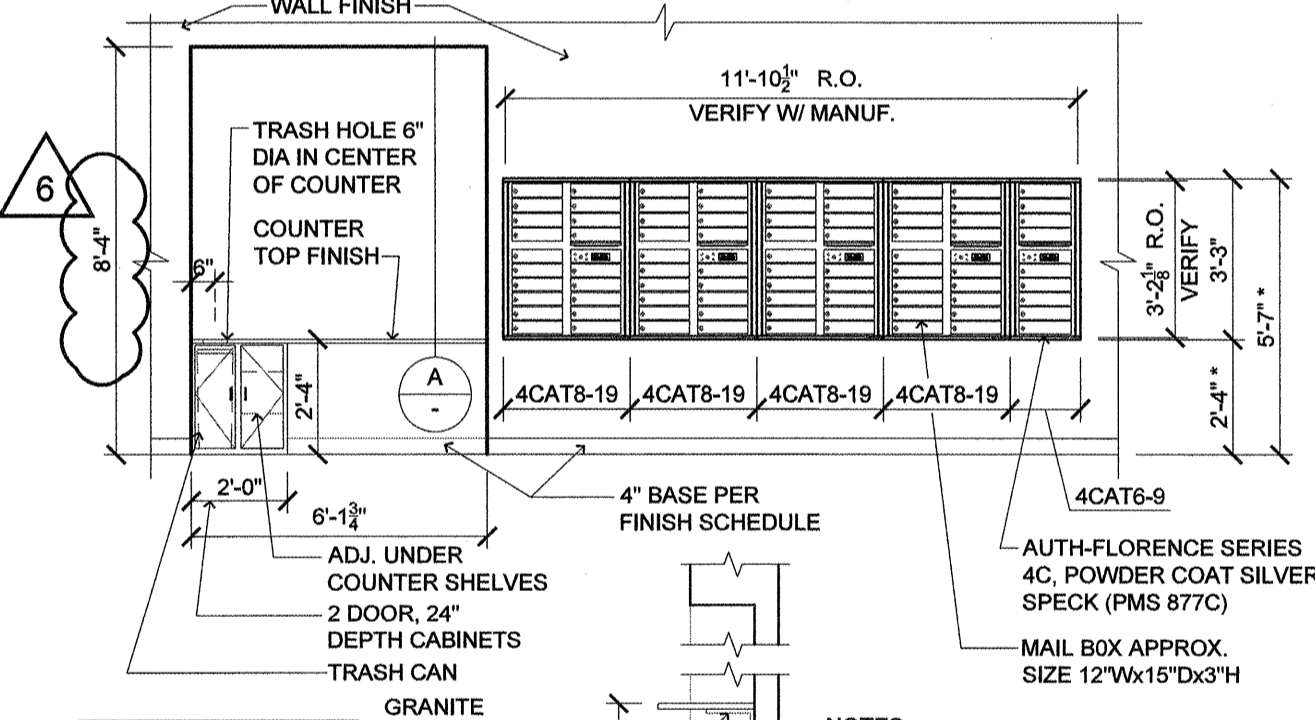
6 SHELVING ABOVE HORIZONTAL CHASE (ELEVATION) SCALE: 1/4" = 1'-0"



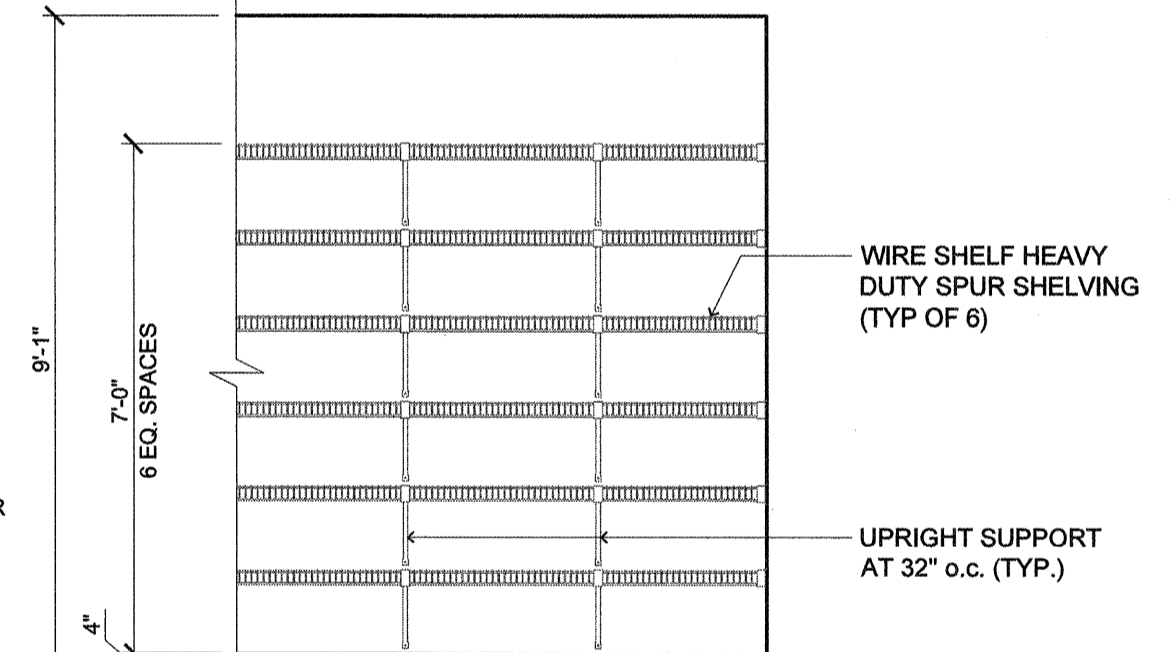
2 INTERIOR ELEVATION (MANAGER'S / CO-MANAGER'S KITCHEN) SCALE: 1/4" = 1'-0"



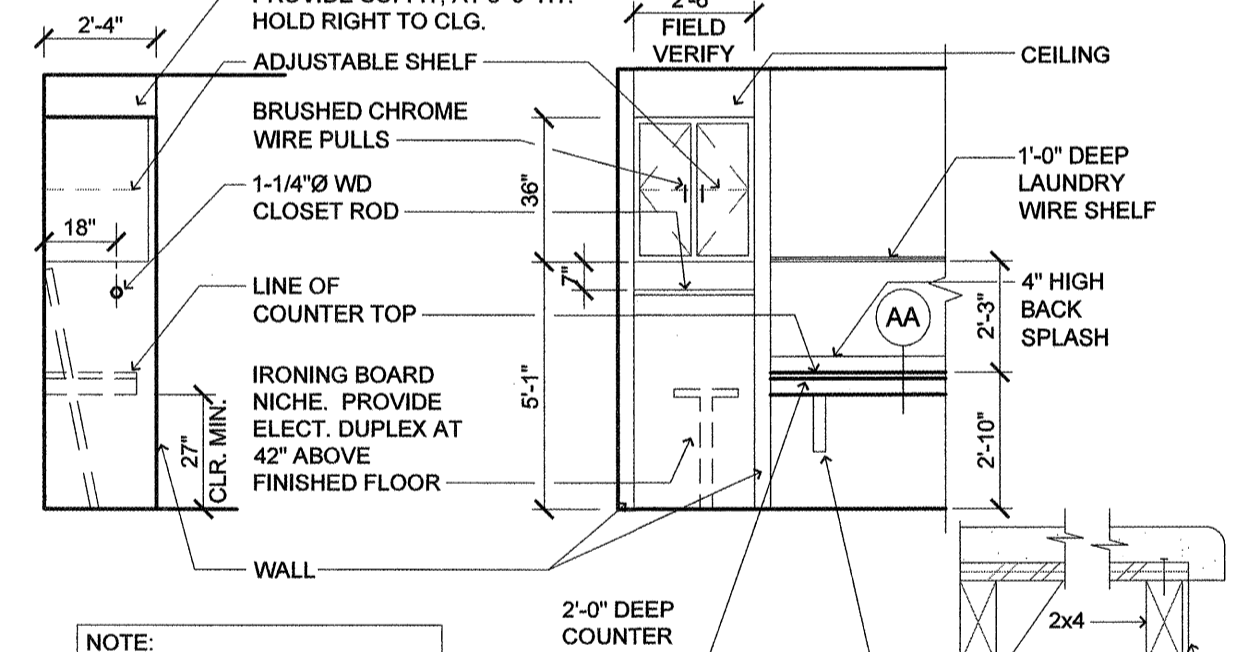
PLAN VIEW



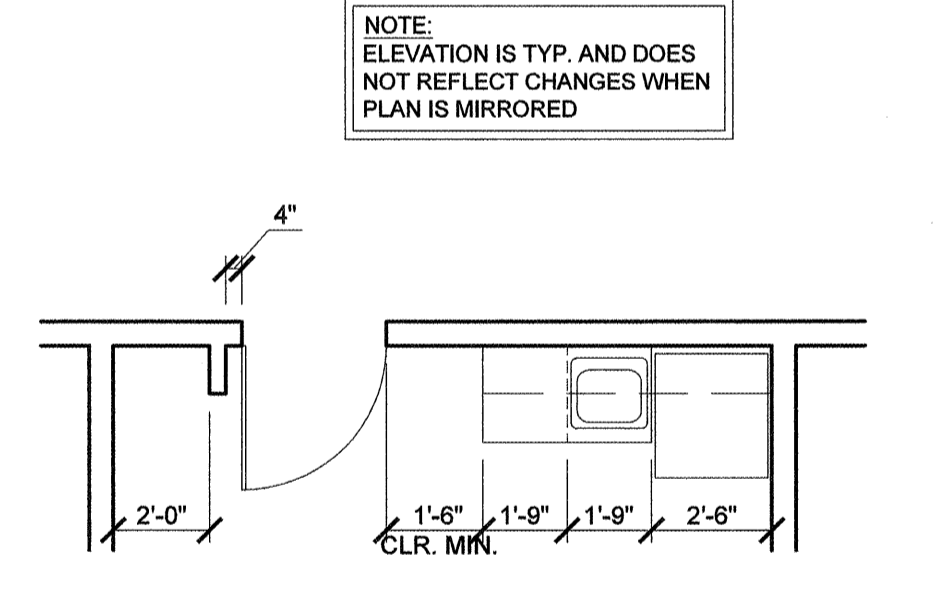
13 MAILBOXES (TYPICAL ELEVATION) SCALE: 1/4" = 1'-0"



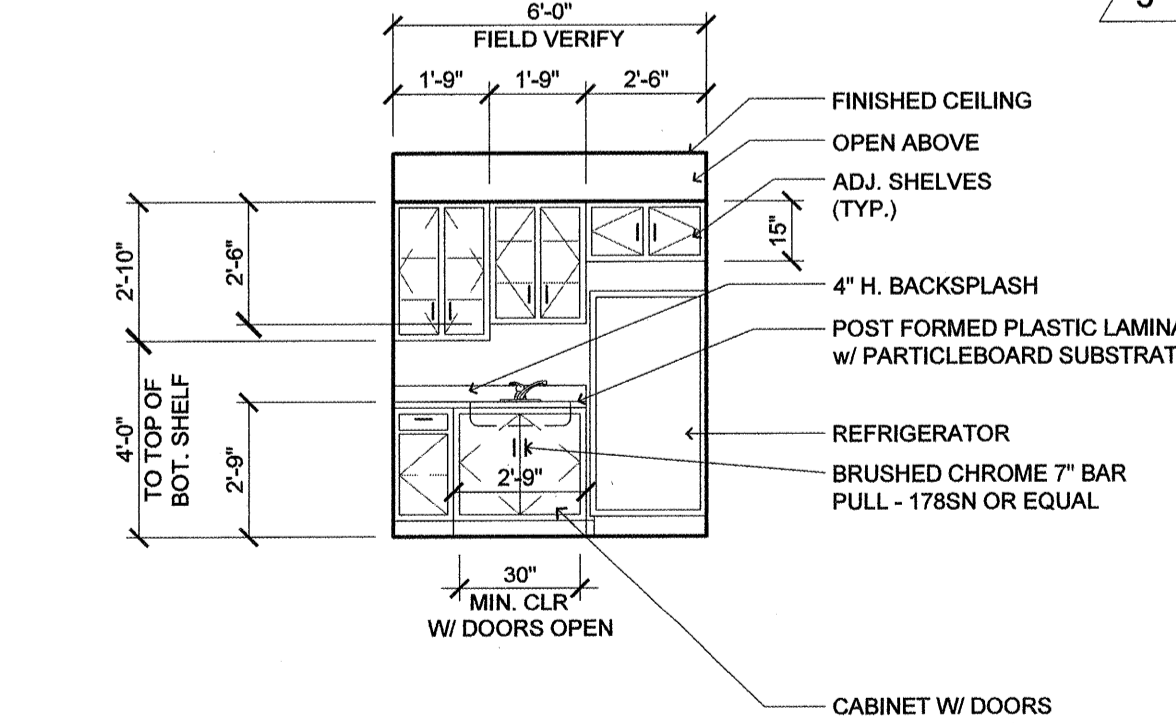
9 INTERIOR ELEVATION (STORAGE/LINEN SHELVES) SCALE: 3/8" = 1'-0"



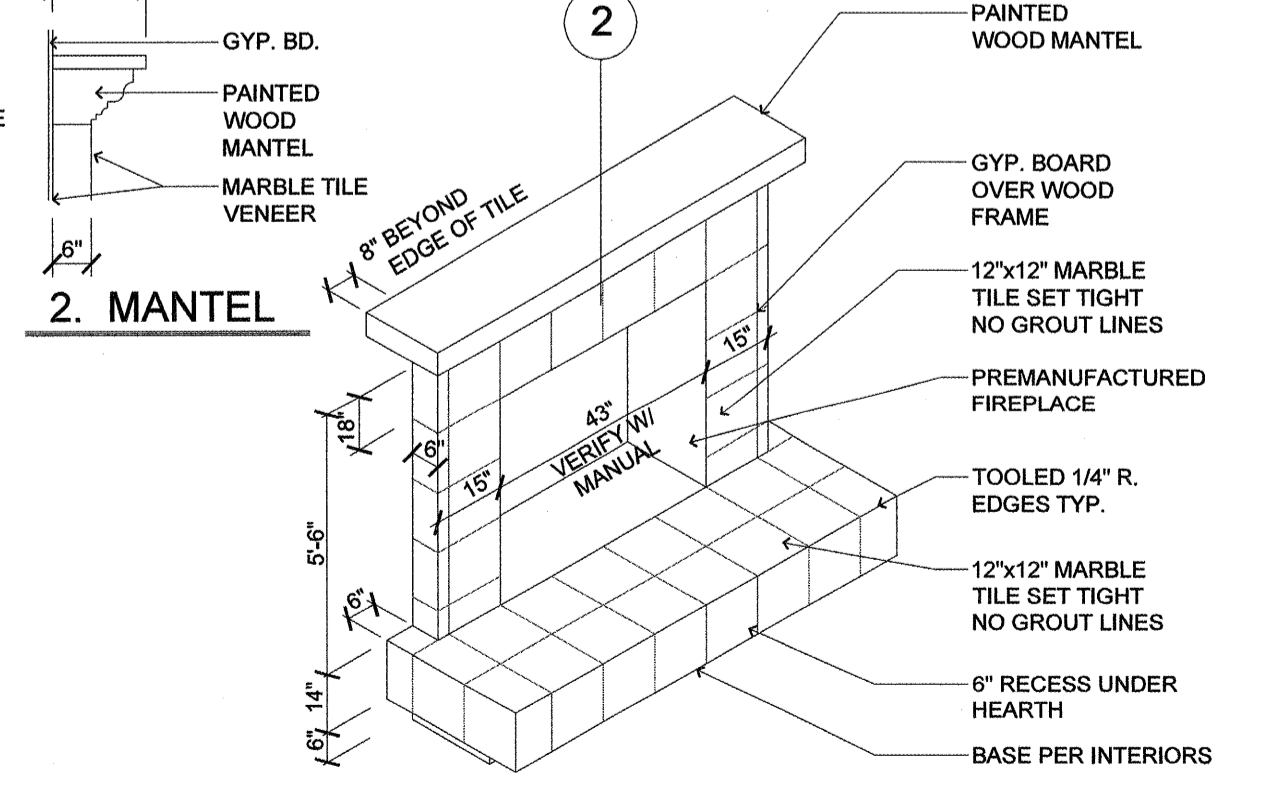
5 INTERIOR ELEVATION (LAUNDRY) SCALE: 1/4" = 1'-0"



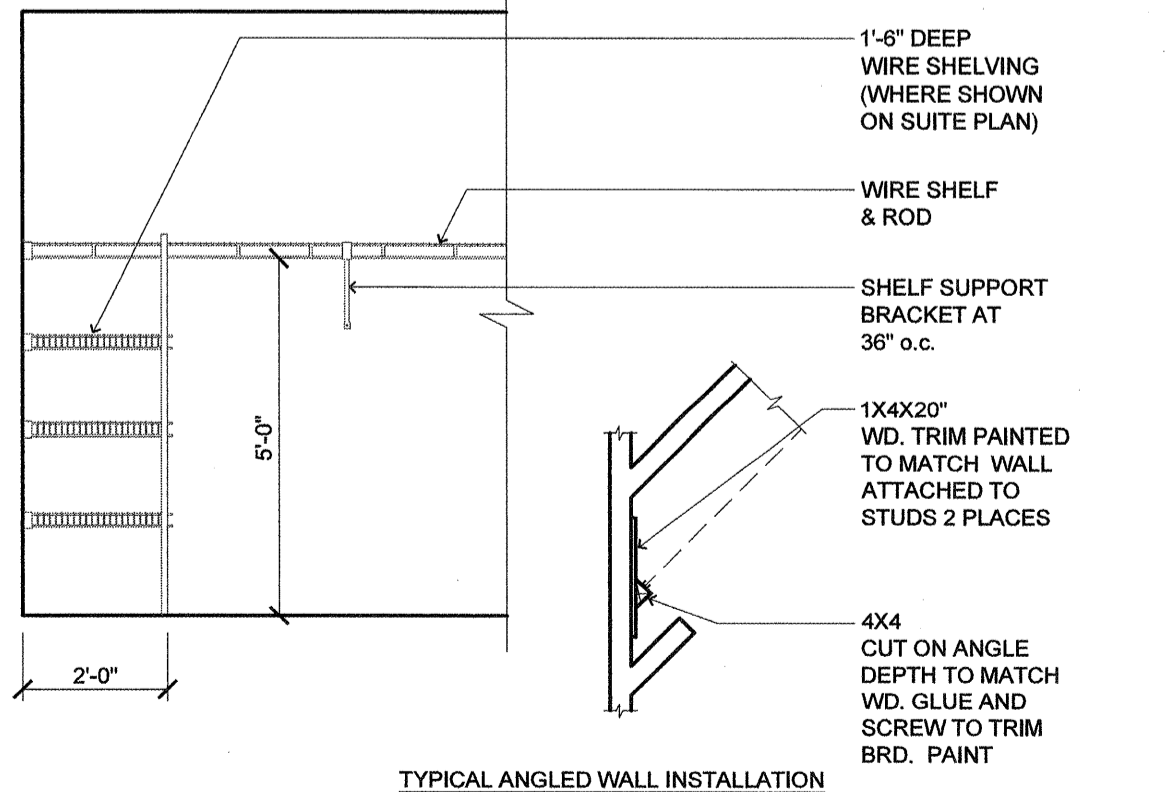
PLAN VIEW



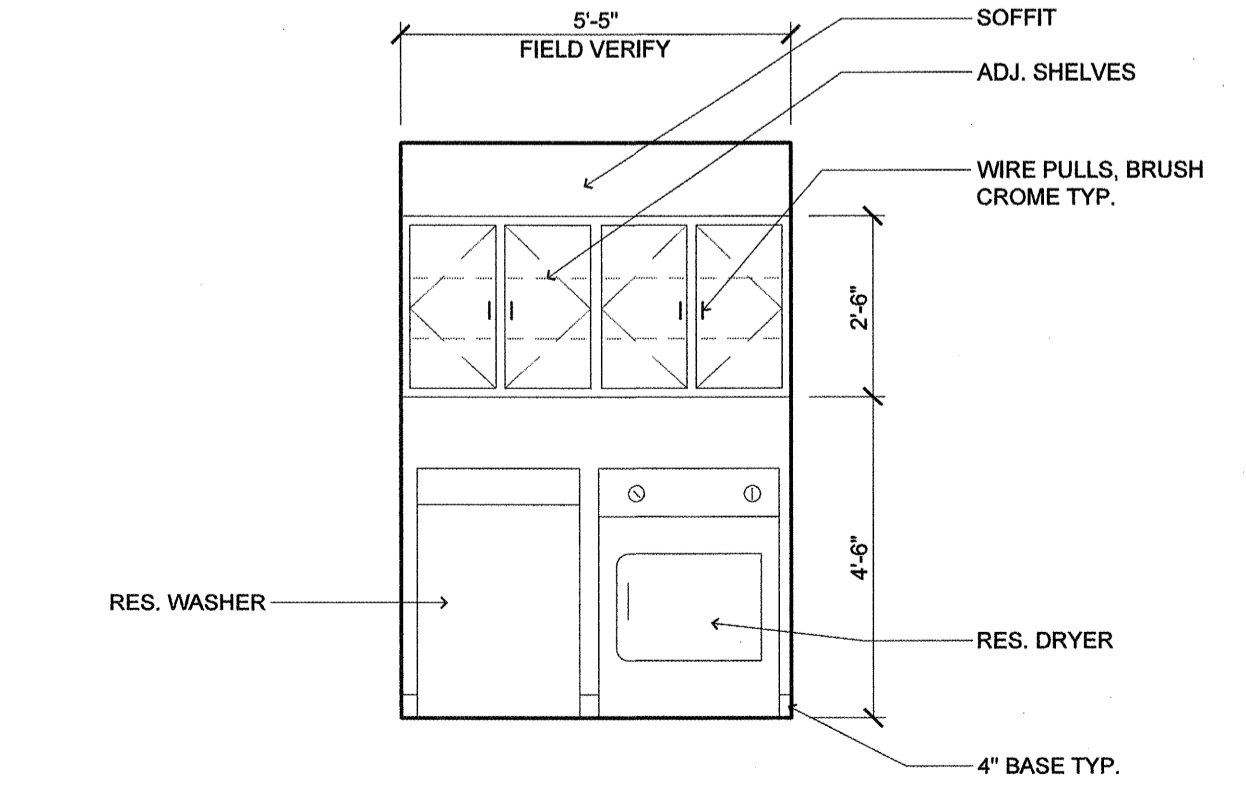
14 INTERIOR ELEVATION (ACCESSIBLE SUITE CABINETS) SCALE: 1/4" = 1'-0"



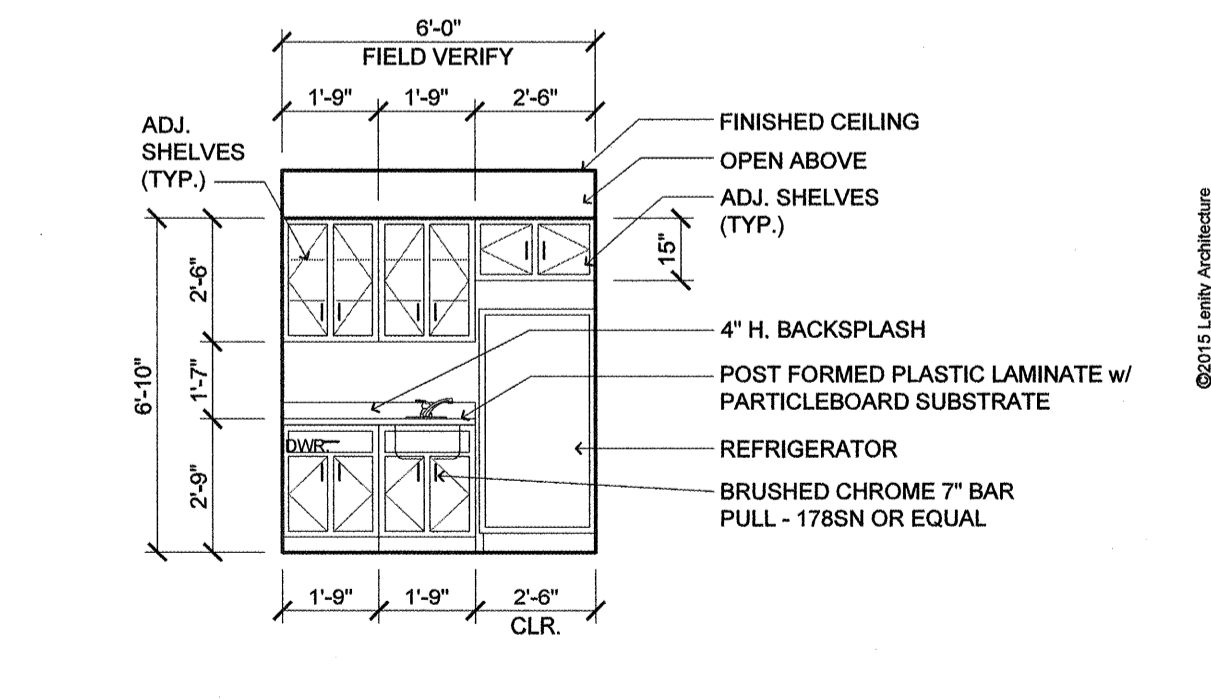
12 FIREPLACE DETAILS (MANTEL & ISOMETRIC) SCALE: NOT TO SCALE (1:12)



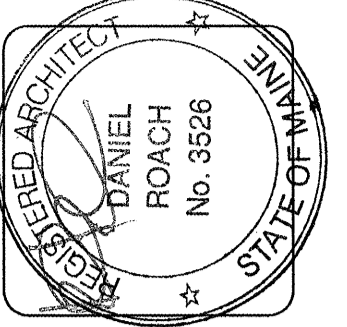
8 INTERIOR ELEVATION (TYPICAL SUITE CLOSET) SCALE: 3/8" = 1'-0"



4 MANAGER'S LAUNDRY (CASEWORK) SCALE: 3/8" = 1'-0"



1 INTERIOR ELEVATION (TYPICAL SUITE CABINETS) SCALE: 1/4" = 1'-0"



lenity architecture 3500 Kettie Court SE, Salem, Oregon 97302

COLSON AND COLSON GENERAL CONTRACTOR, INC. 2280 MAGILCHRIST STREET SE, SUITE 200 SALEM, OREGON, 97302

PORTLAND RETIREMENT RESIDENCE 802 OCEAN AVE. PORTLAND, MAINE 04103

INTERIOR ELEVATIONS AND DETAILS

DATE 8/28/2015 REVISED DATE SHEET A8.4a