

lenity architecture
350 Wells Court, SE, Salem, Oregon 97307
P: 503 399 1090 F: 503 399 0565 W: lenityarchitecture.com

COLSON AND COLSON
GENERAL CONTRACTOR, INC.
2260 McILCHRIST STREET SE, SUITE 200
SALEM, OREGON, 97302
PHONE (503) 586-7401

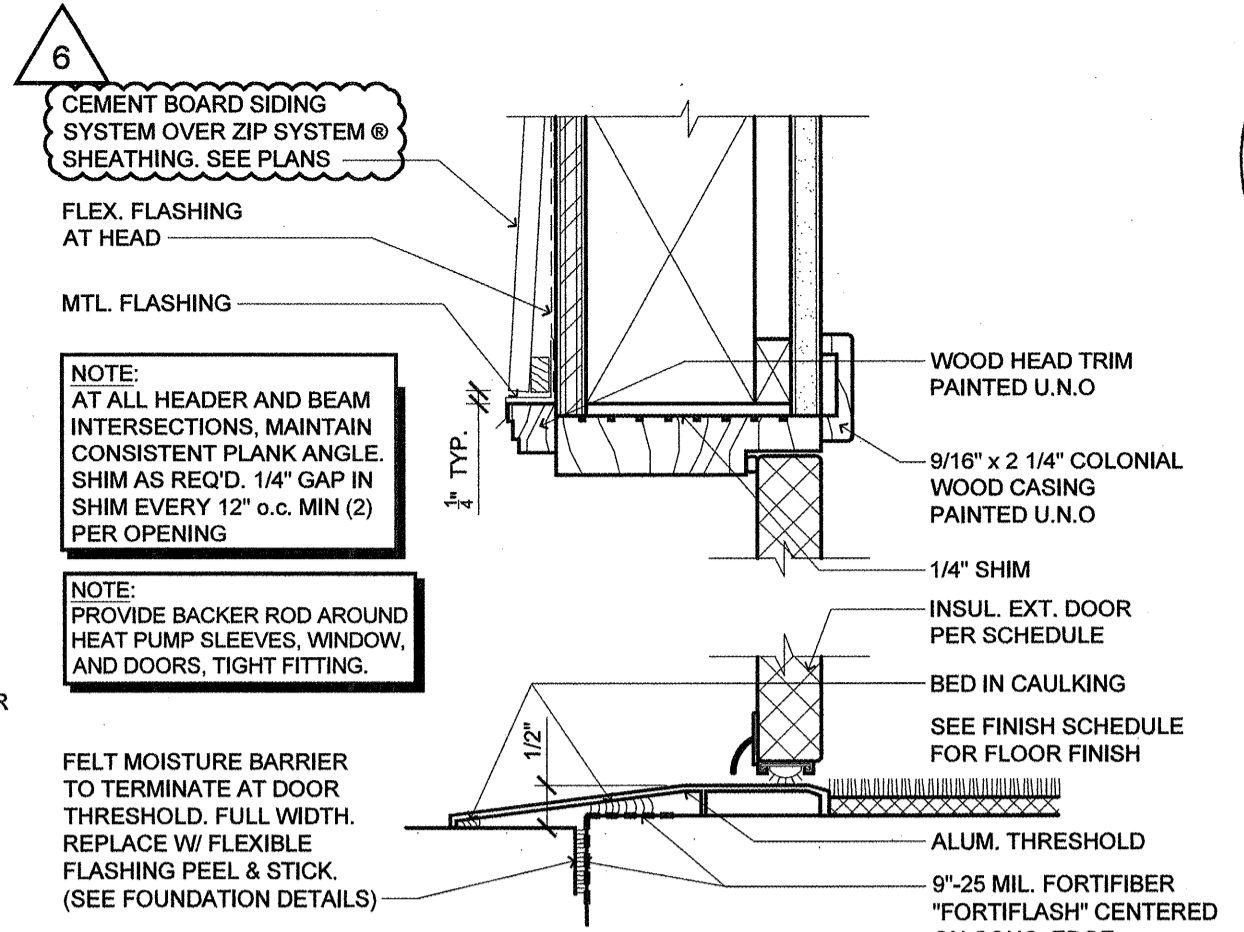
PORTLAND
RETIREMENT RESIDENCE
802 OCEAN AVE., PORTLAND, MAINE 04103

DOOR DETAILS

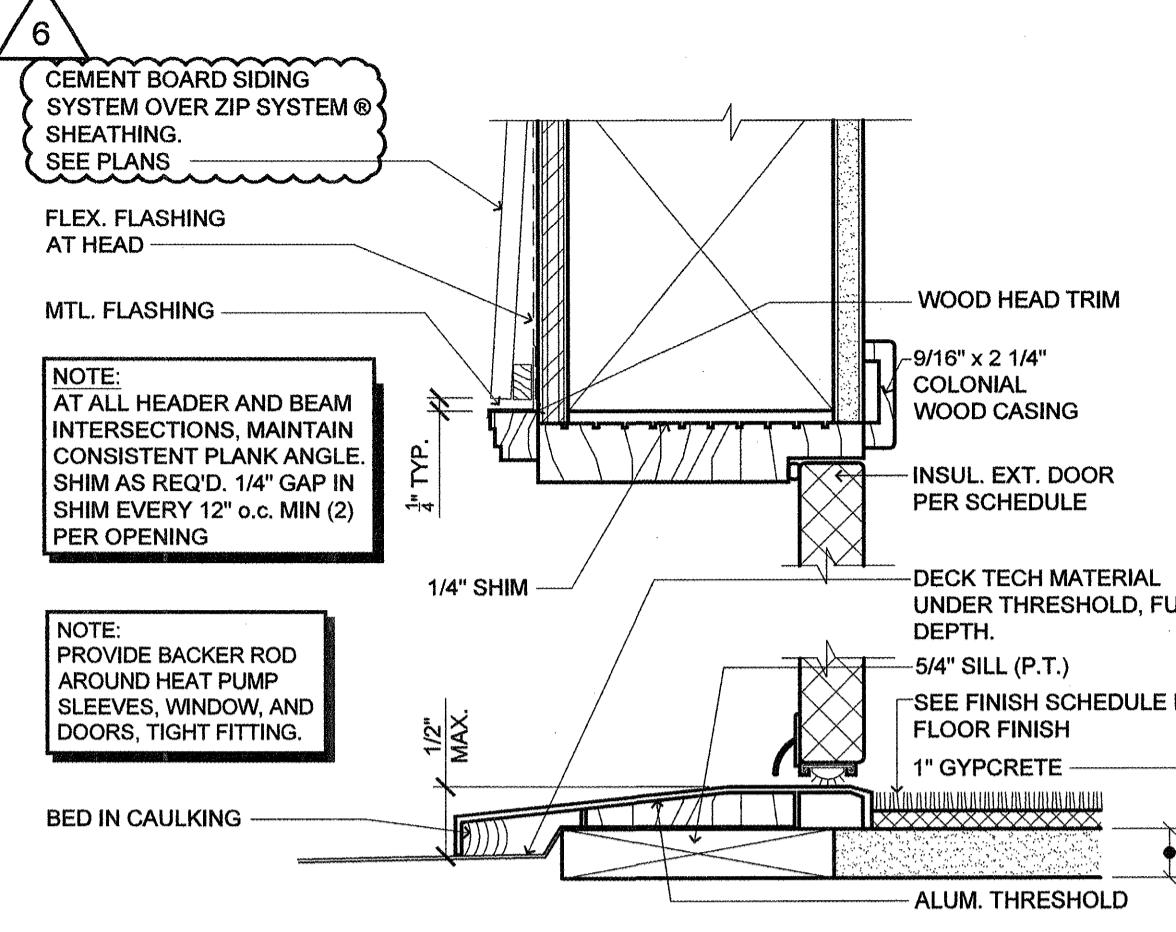
DATE
8/28/2015
REVISED DATE
SHEET
A8.2b

©2015 LENITY ARCHITECTURE

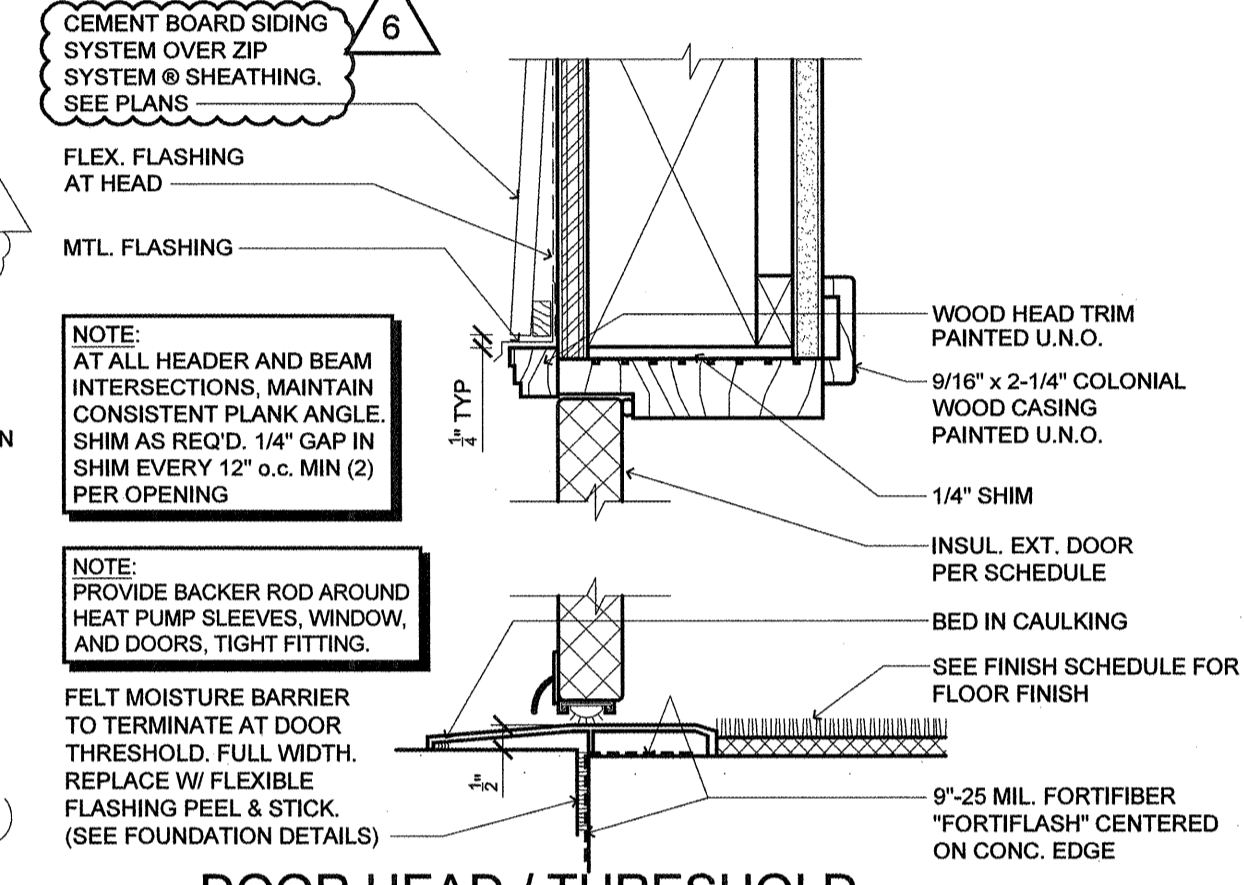
6/7/18/2016 6/3/13/2017



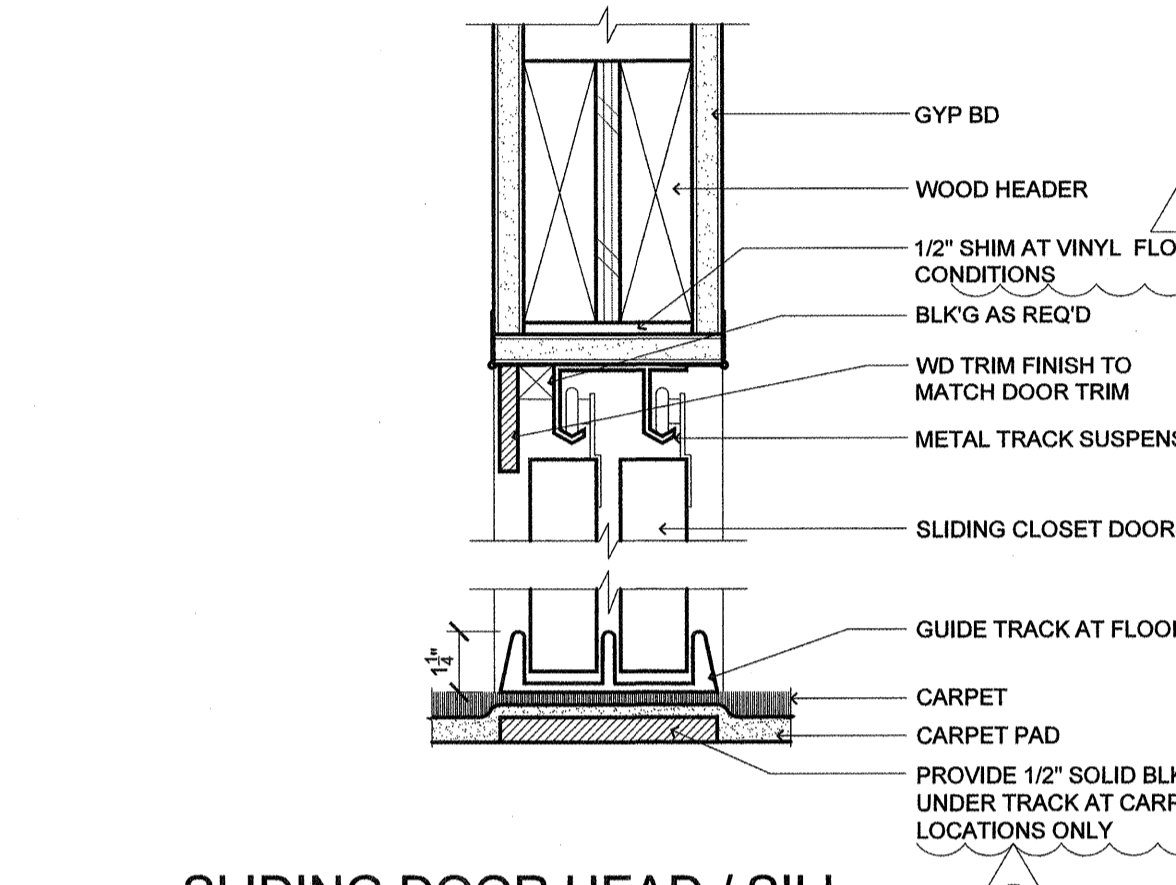
8 DOOR HEAD / THRESHOLD (CONC. PATIO)
SCALE: 3" = 1'-0"



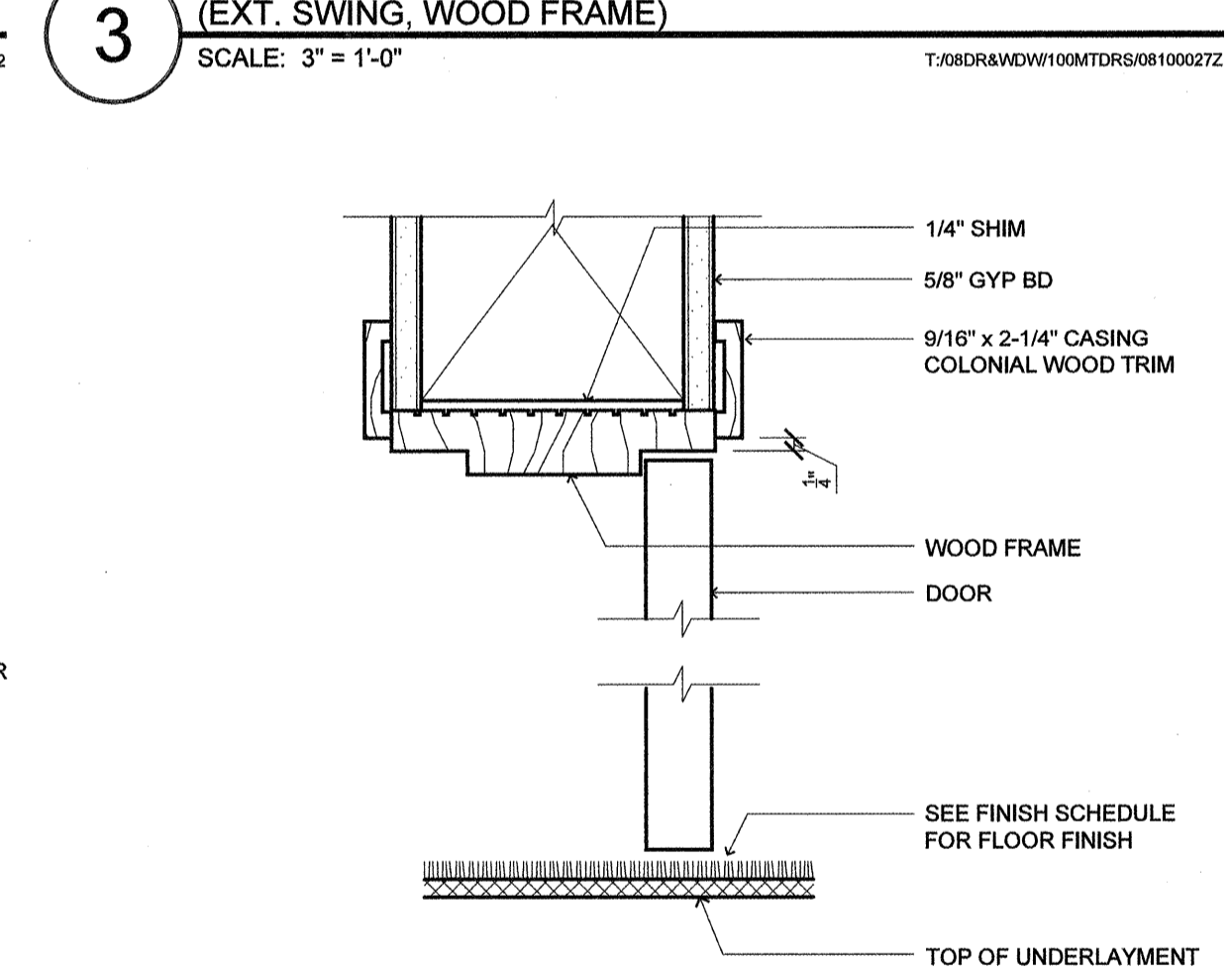
8 DOOR HEAD / THRESHOLD (DECK)
SCALE: 3" = 1'-0"



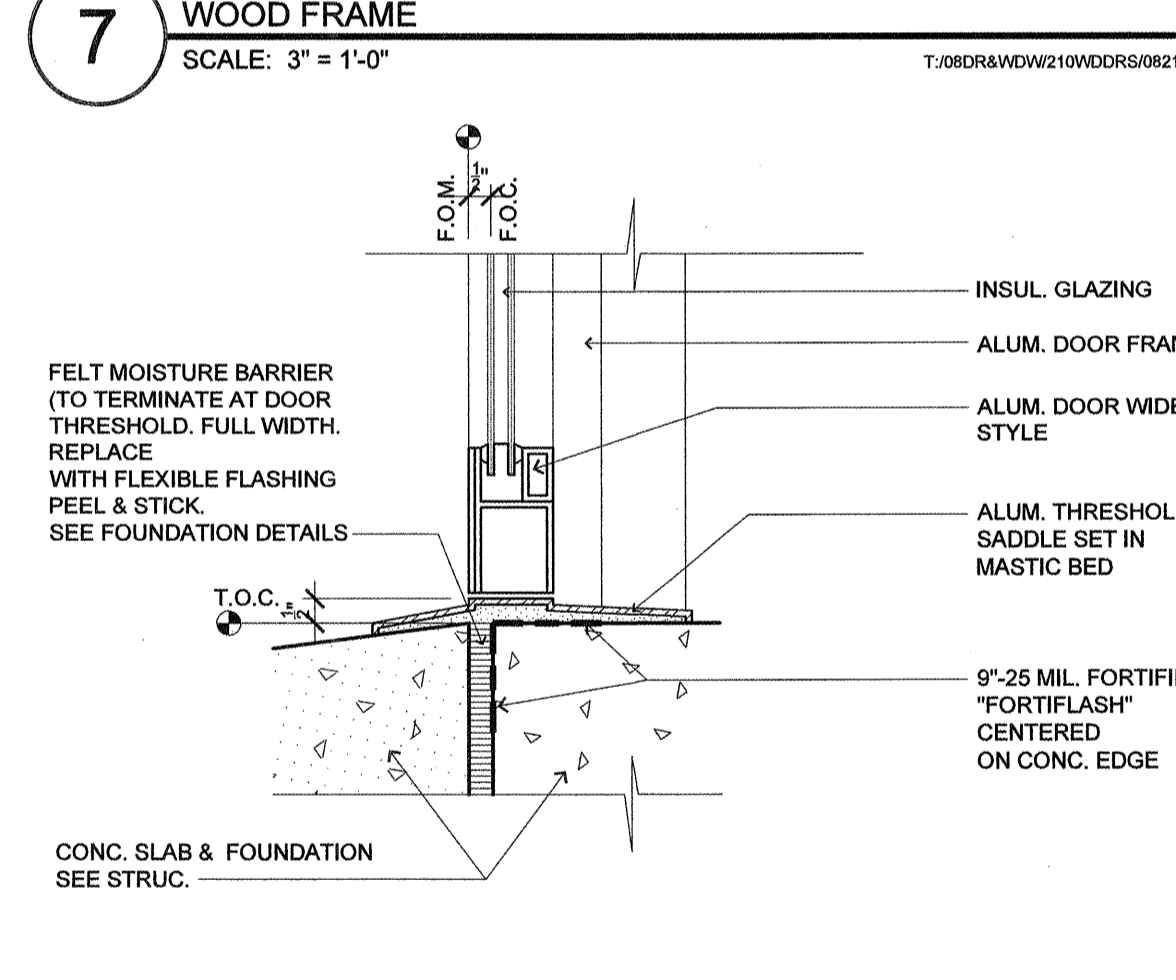
3 DOOR HEAD / THRESHOLD (EXT. SWING, WOOD FRAME)
SCALE: 3" = 1'-0"



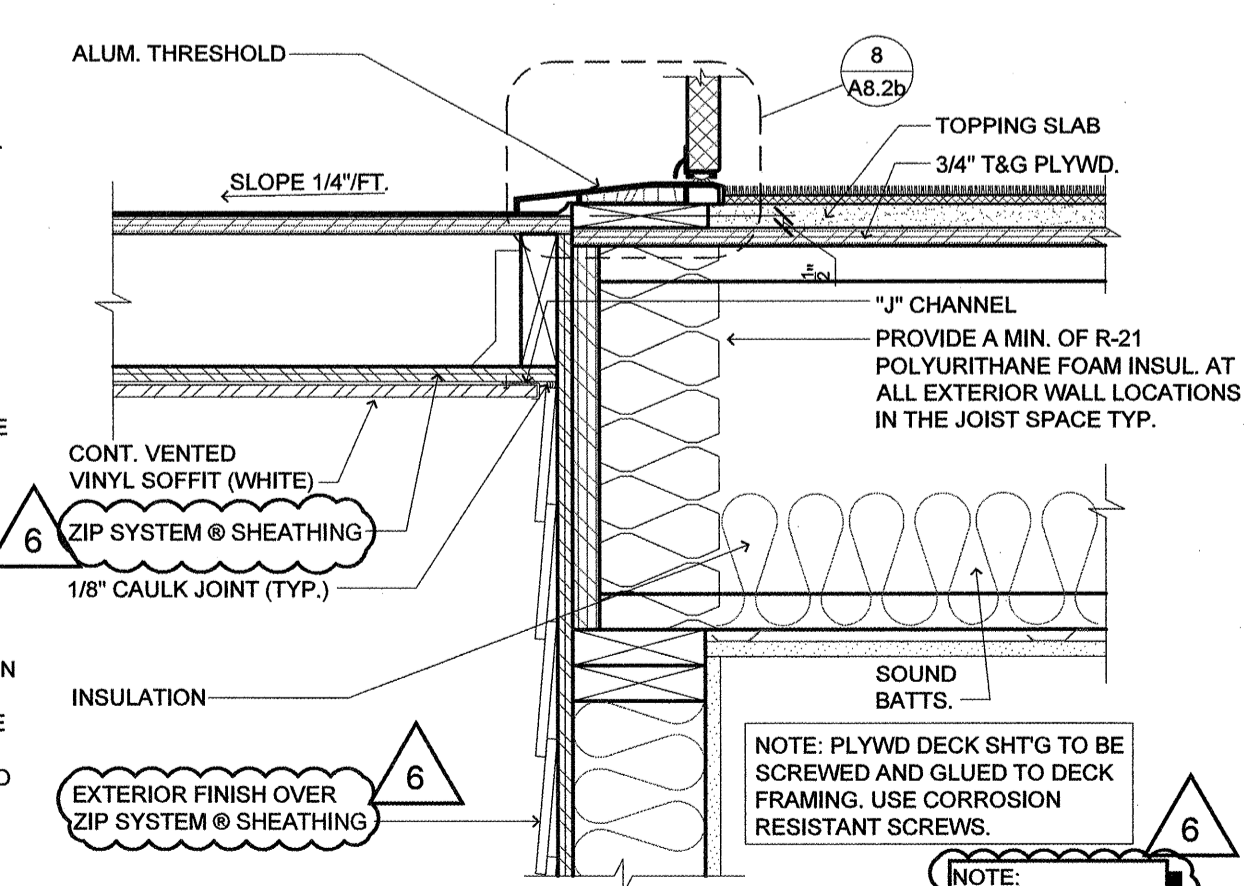
7 SLIDING DOOR HEAD / SILL WOOD FRAME
SCALE: 3" = 1'-0"



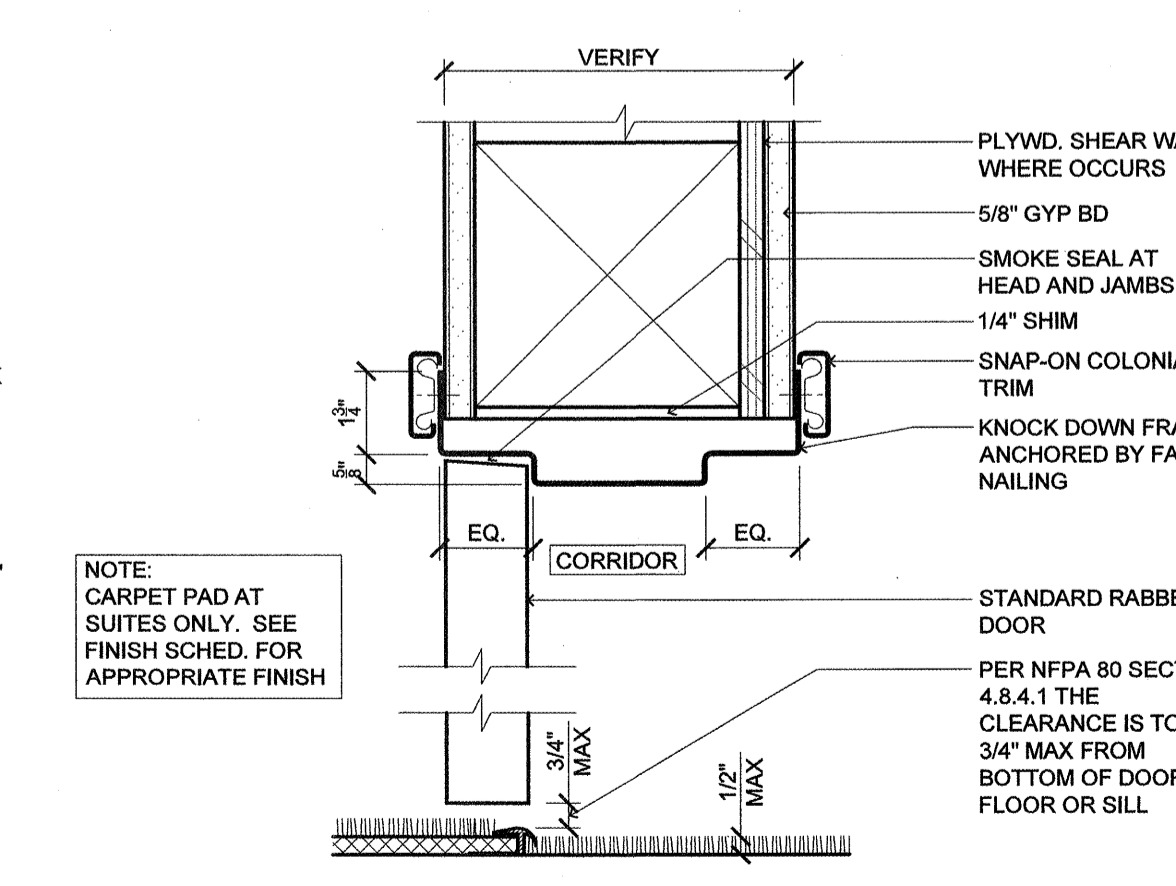
2 DOOR HEAD (WOOD FRAME)
SCALE: 3" = 1'-0"



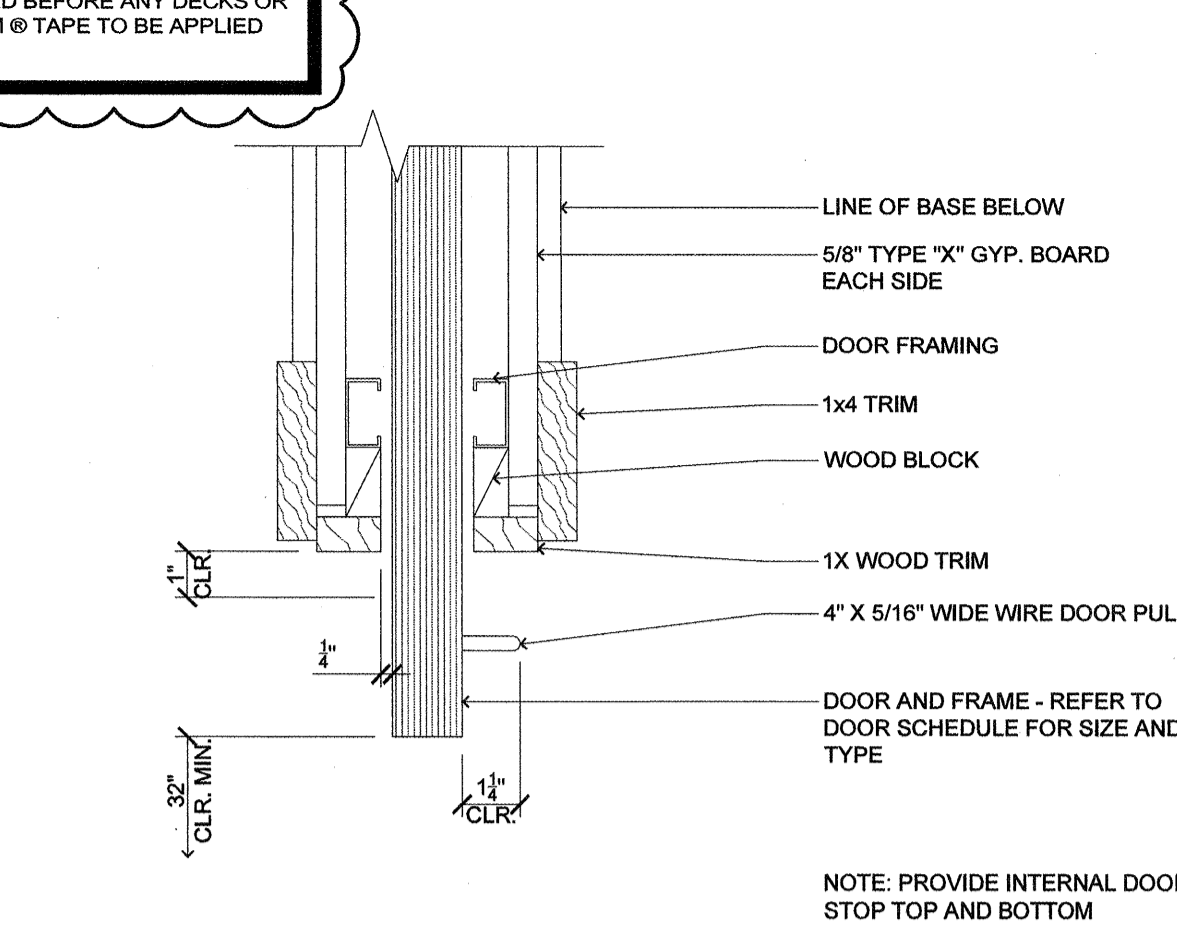
6 DOOR THRESHOLD (ALUMINUM DOOR)
SCALE: 3" = 1'-0"



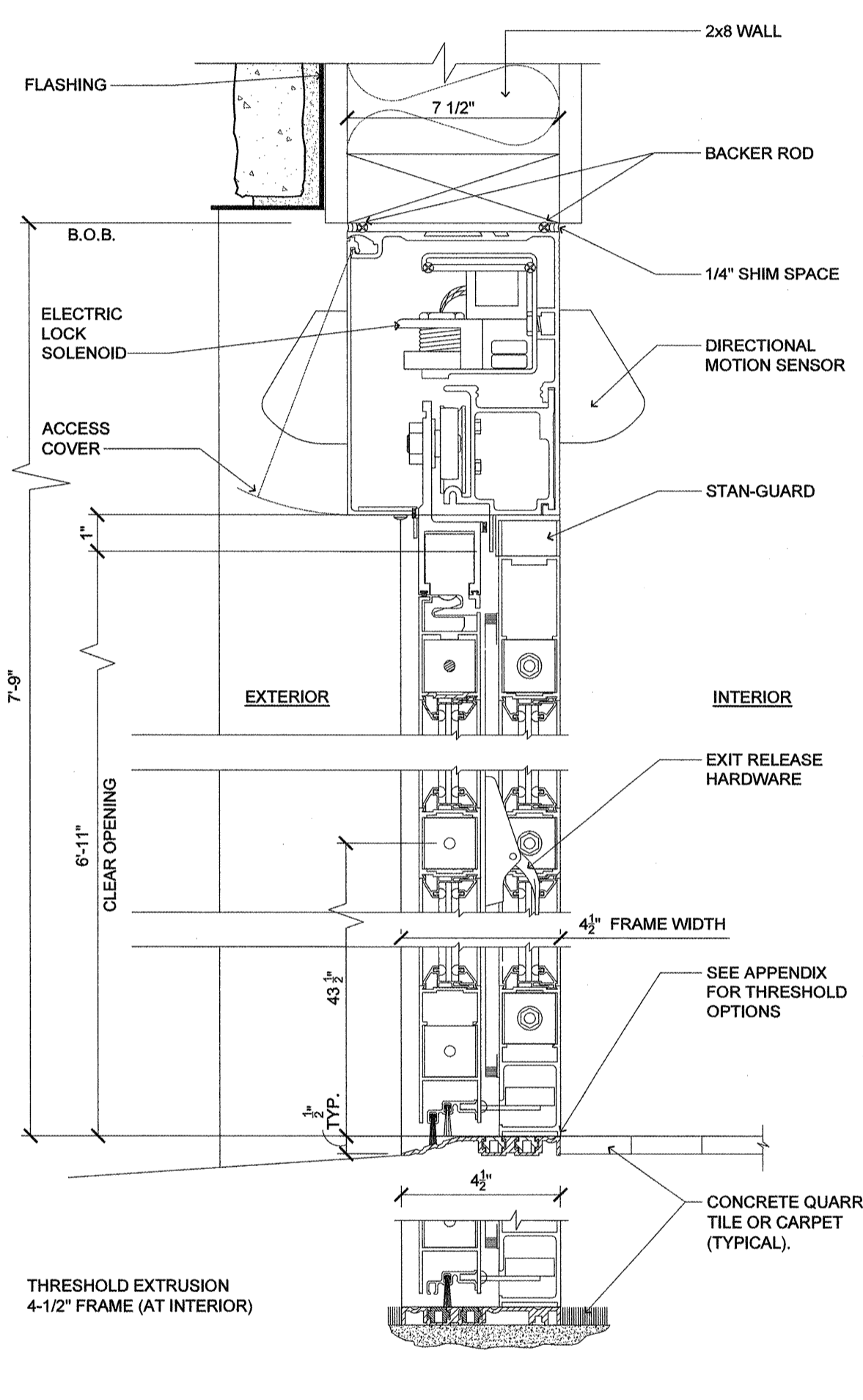
1 DECK AT THRESHOLD (SOFFIT ON UNDERSIDE OF DECK)
SCALE: 1-1/2\"/>



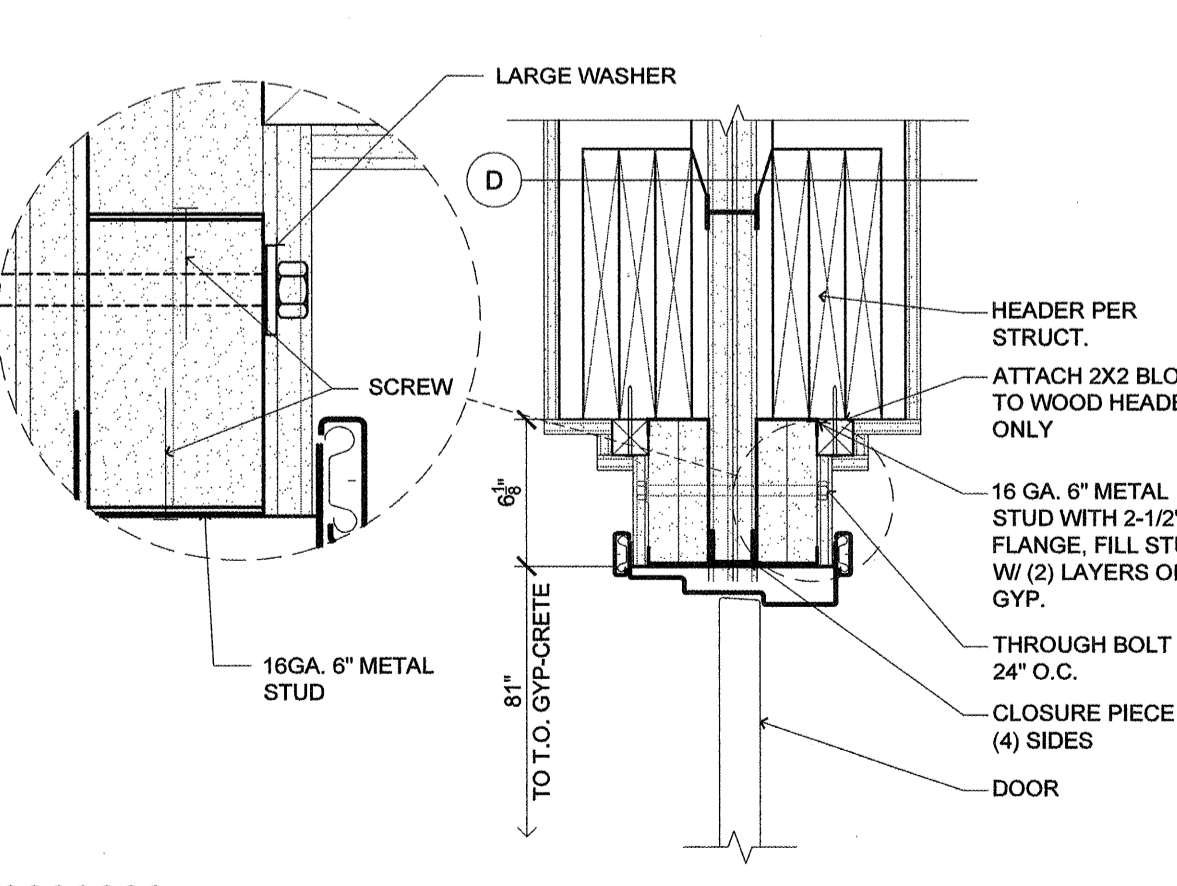
5 DOOR HEAD (KNOCK DOWN - JAMB SIM.)
SCALE: 3" = 1'-0"



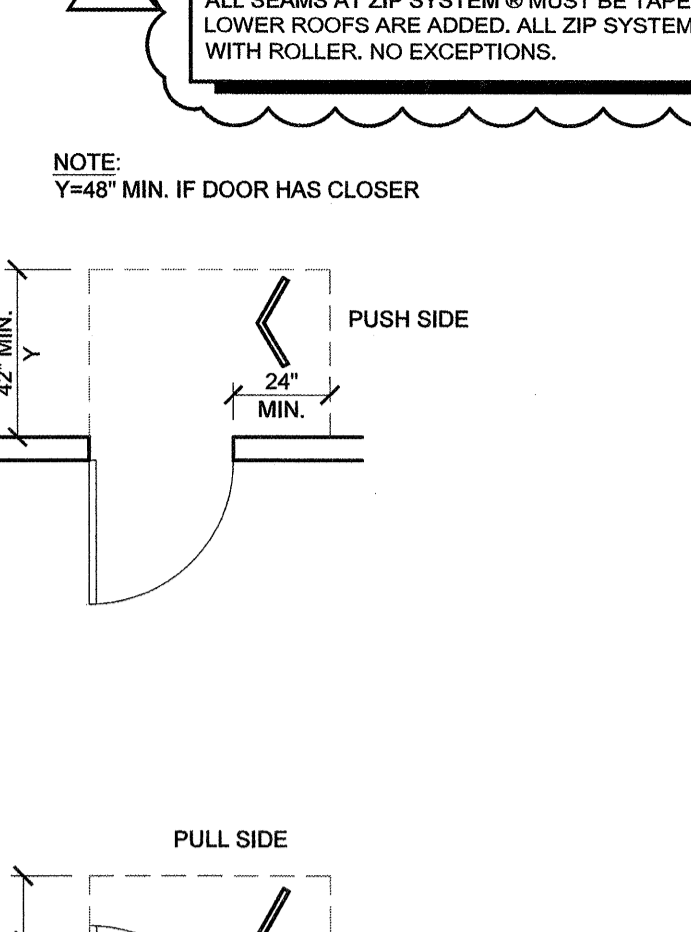
13 POCKET DOOR JAMB
SCALE: 3" = 1'-0"



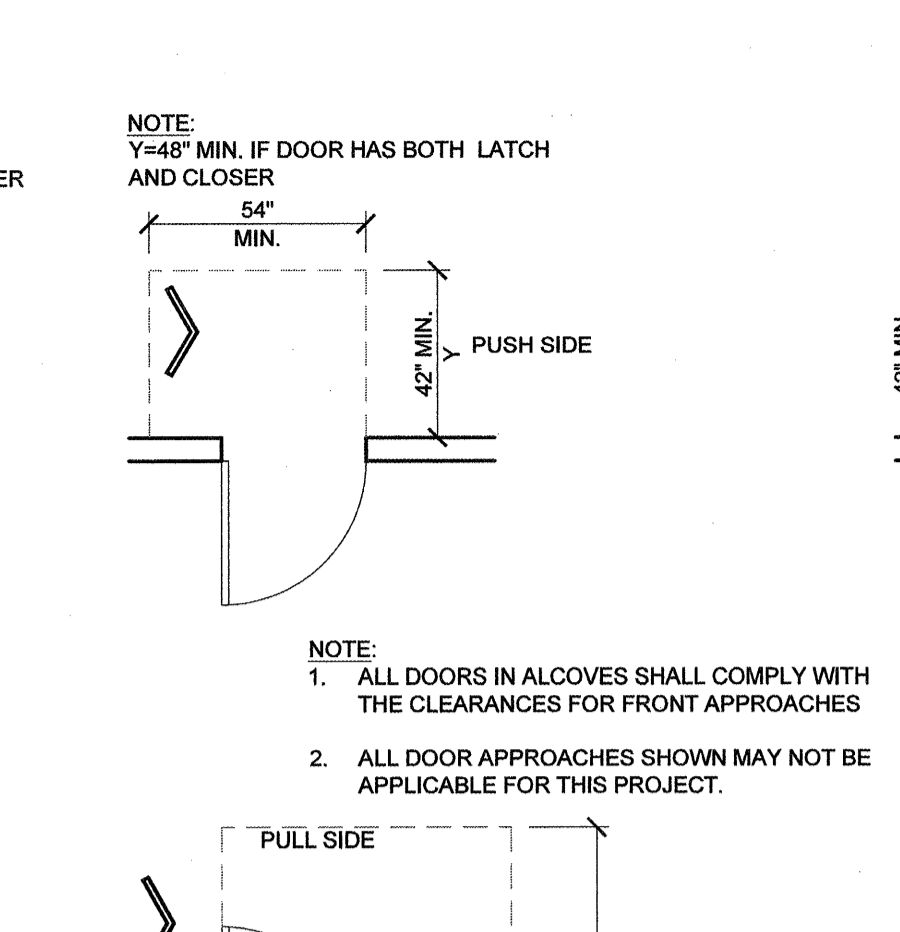
10 AUTOMATIC SLIDING DOORS (SECTION)
SCALE: 3" = 1'-0"



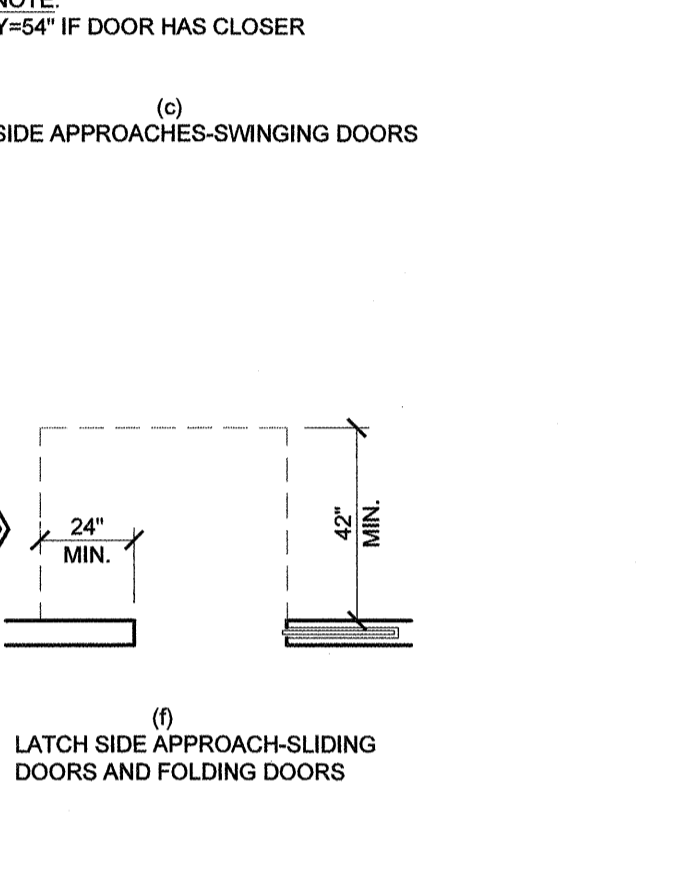
9 FIREWALL DOOR HEAD (AT CORRIDORS)
SCALE: 1-1/2\"/>



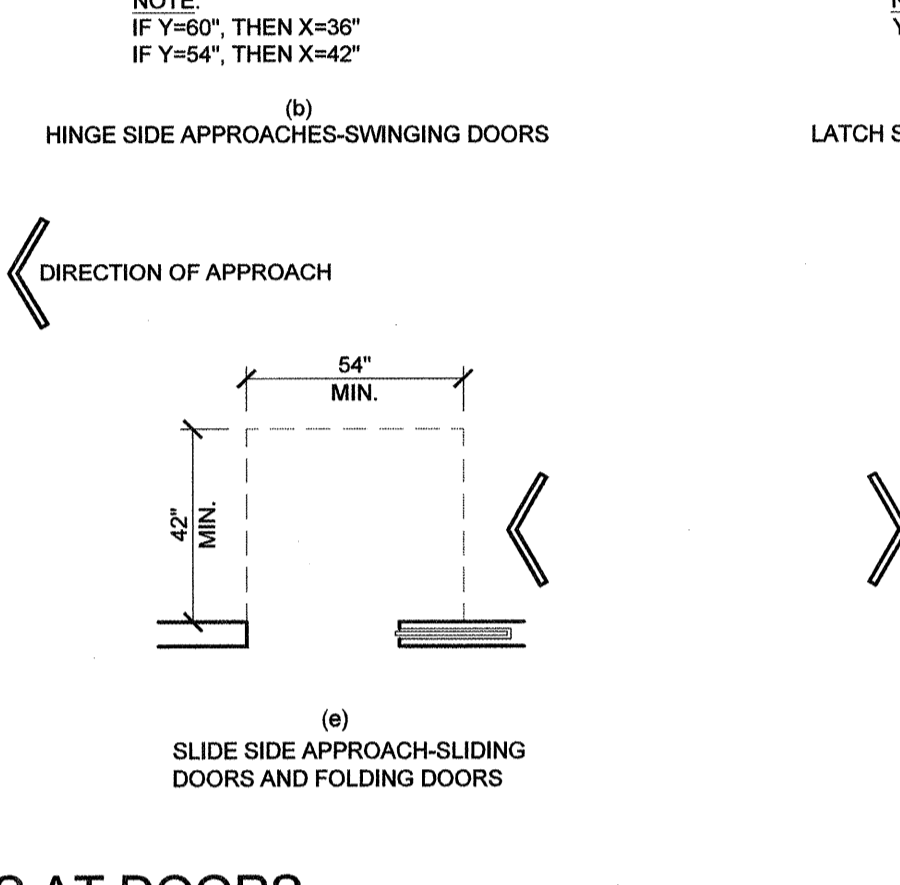
(c) LATCH SIDE APPROACHES-SWINGING DOORS



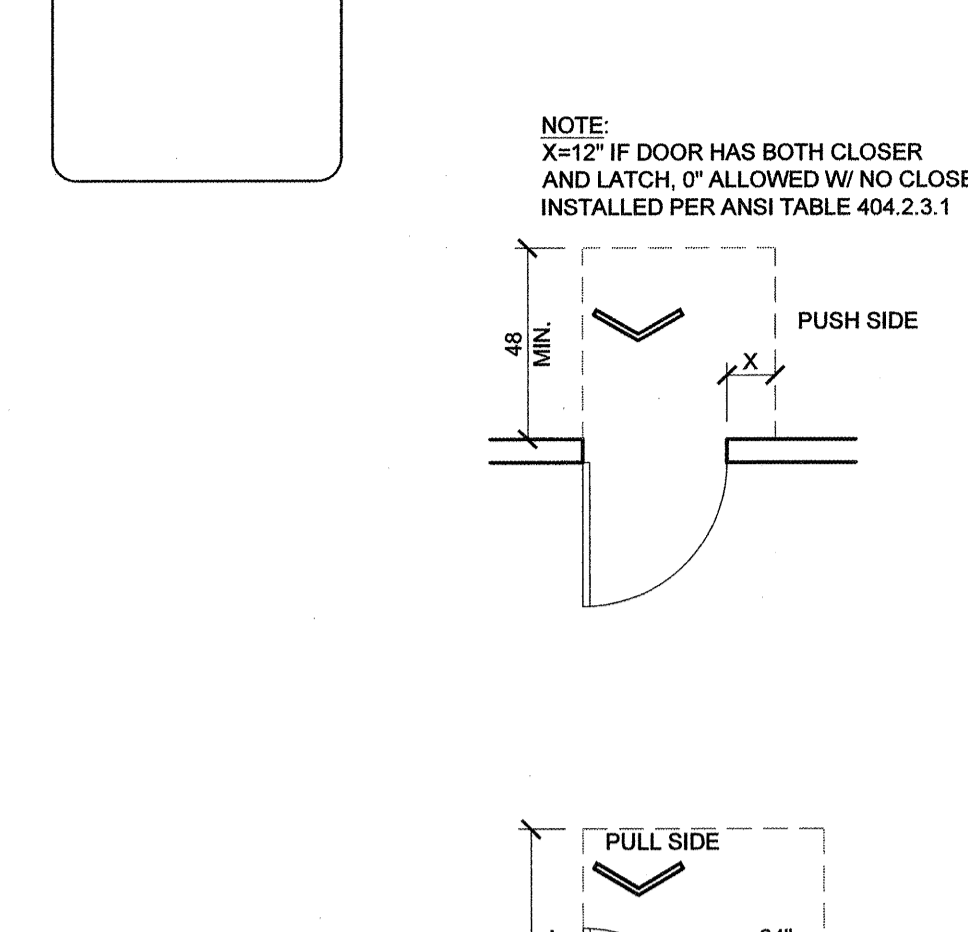
(b) HINGE SIDE APPROACHES-SWINGING DOORS



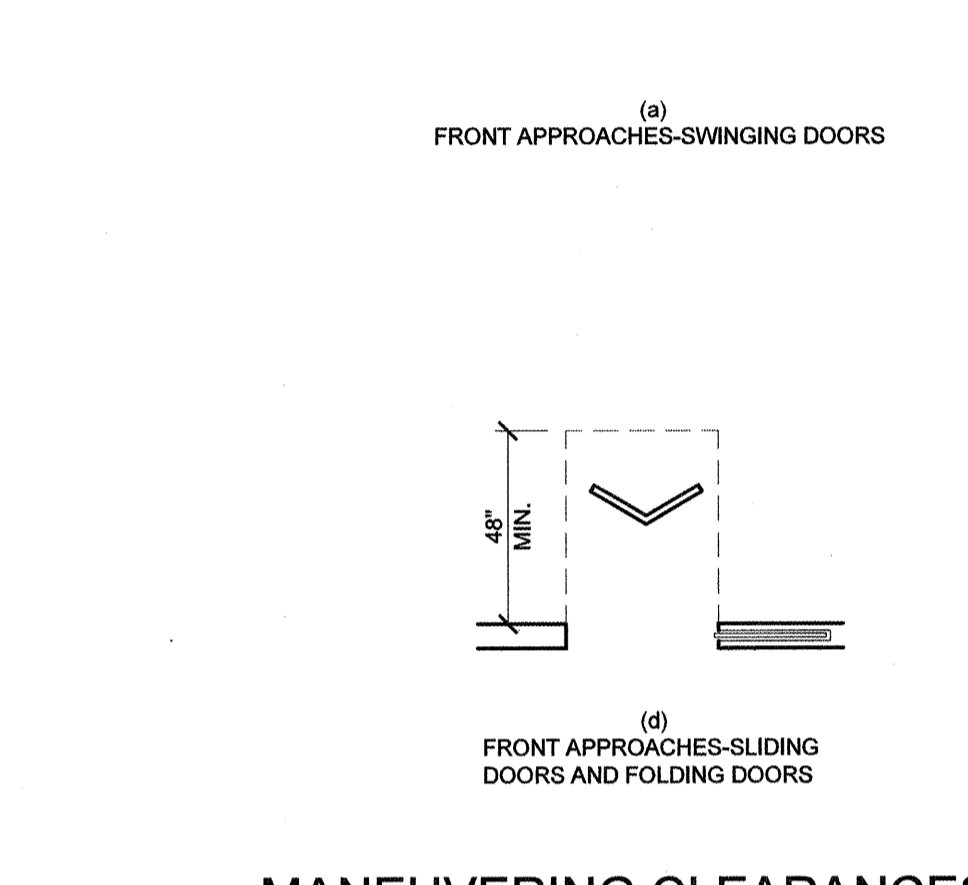
(f) LATCH SIDE APPROACH-SLIDING DOORS AND FOLDING DOORS



(e) SLIDE SIDE APPROACH-SLIDING DOORS AND FOLDING DOORS

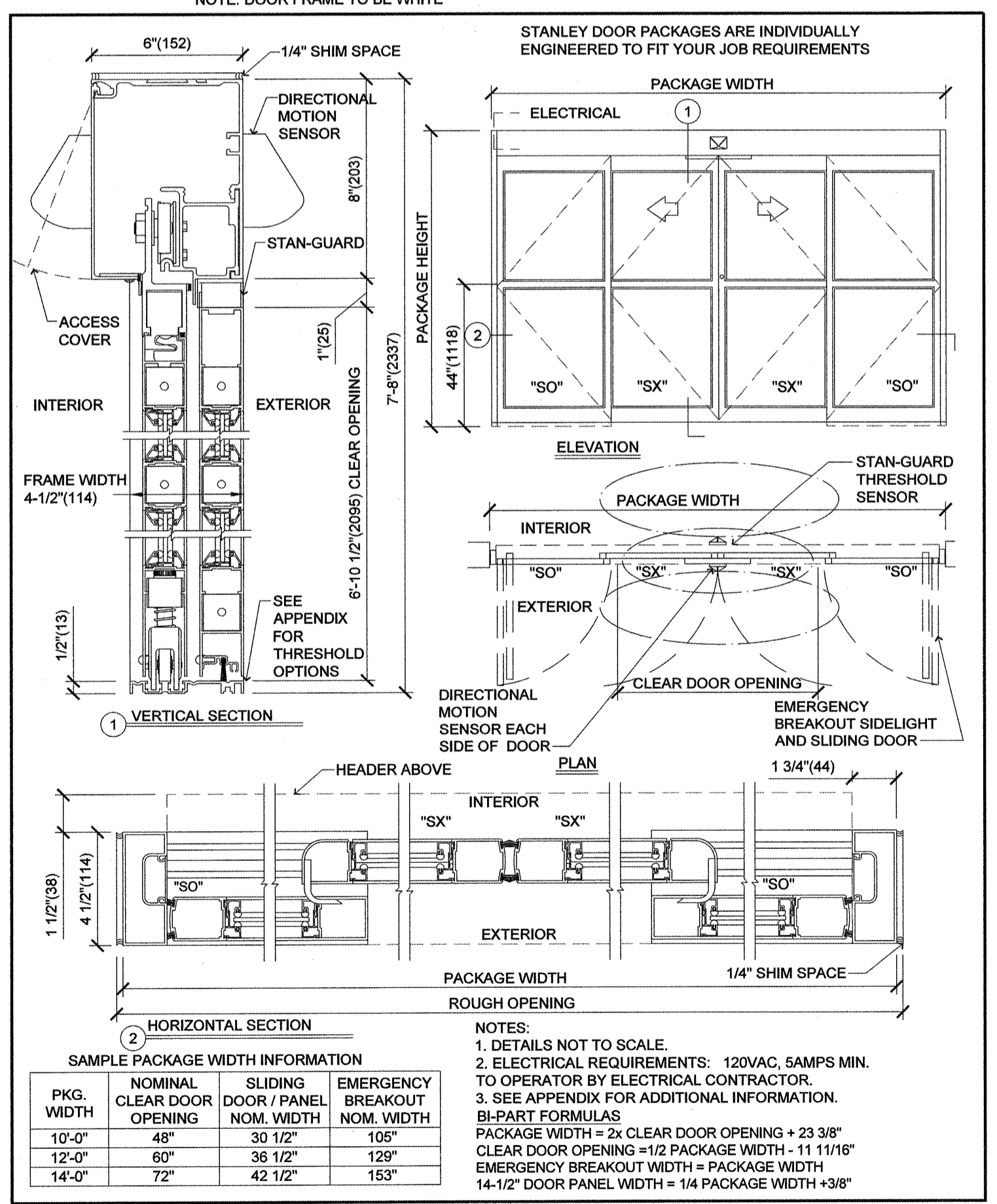


(a) FRONT APPROACHES-SWINGING DOORS



(d) FRONT APPROACHES-SLIDING DOORS AND FOLDING DOORS

12 MANEUVERING CLEARANCES AT DOORS (MINIMUM ACCESSIBLE FLOOR CLEARANCE)
SCALE: 1/4\"/>



SAMPLE PACKAGE WIDTH INFORMATION

PKG. WIDTH	NOMINAL CLEAR DOOR OPENING	SLIDING DOOR / PANEL NOM. WIDTH	EMERGENCY BREAKOUT NOM. WIDTH
48"	48"	30 1/2"	105"
10'-0"	10'-0"	36 1/2"	129"
14'-0"	14'-0"	42 1/2"	153"

NOTE: AT EXTERIOR DOOR, INSTALL SOLENOID LOCK PKG RH FAIL SEC-MC521, PER MANUF.

STANLEY

11 ENTRY DOOR (DURA-GLIDE 3000)
SCALE: 1" = 1'-0"

6/7/18/2016 6/3/13/2017