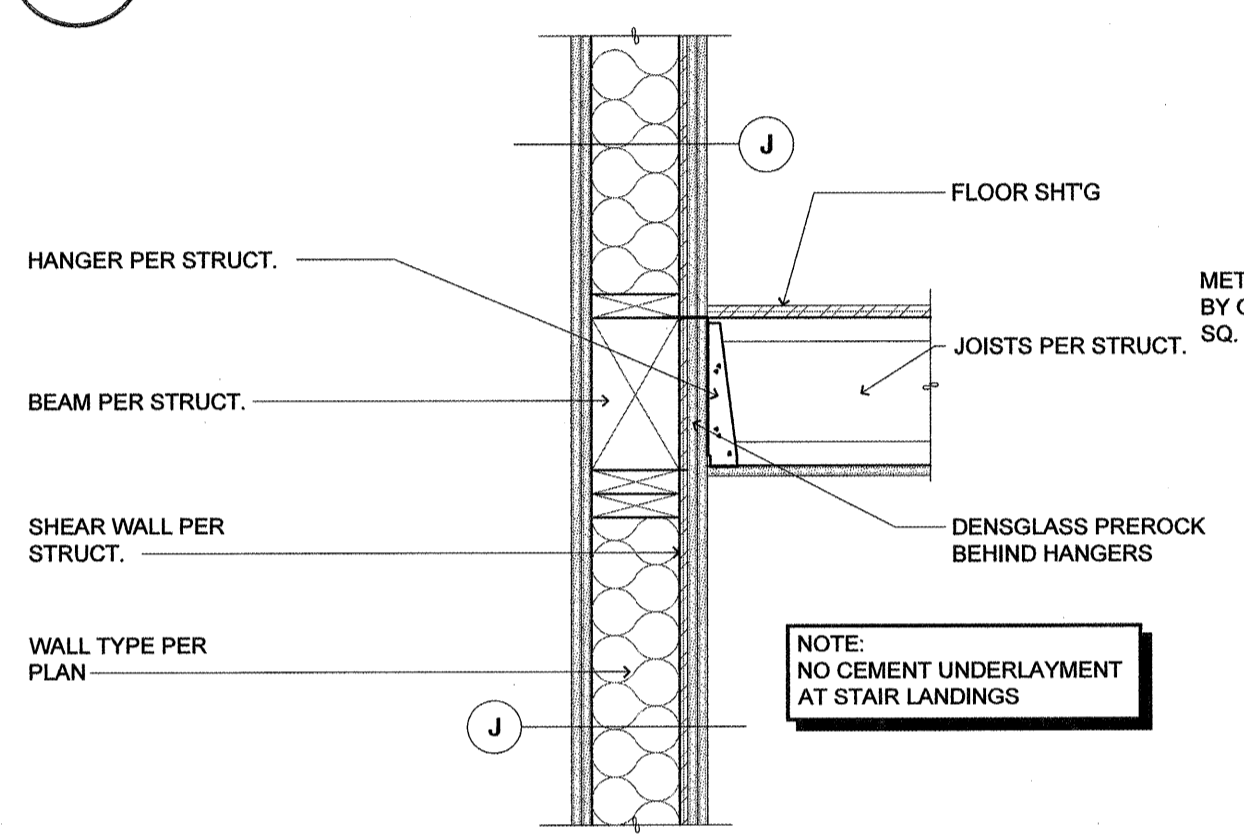
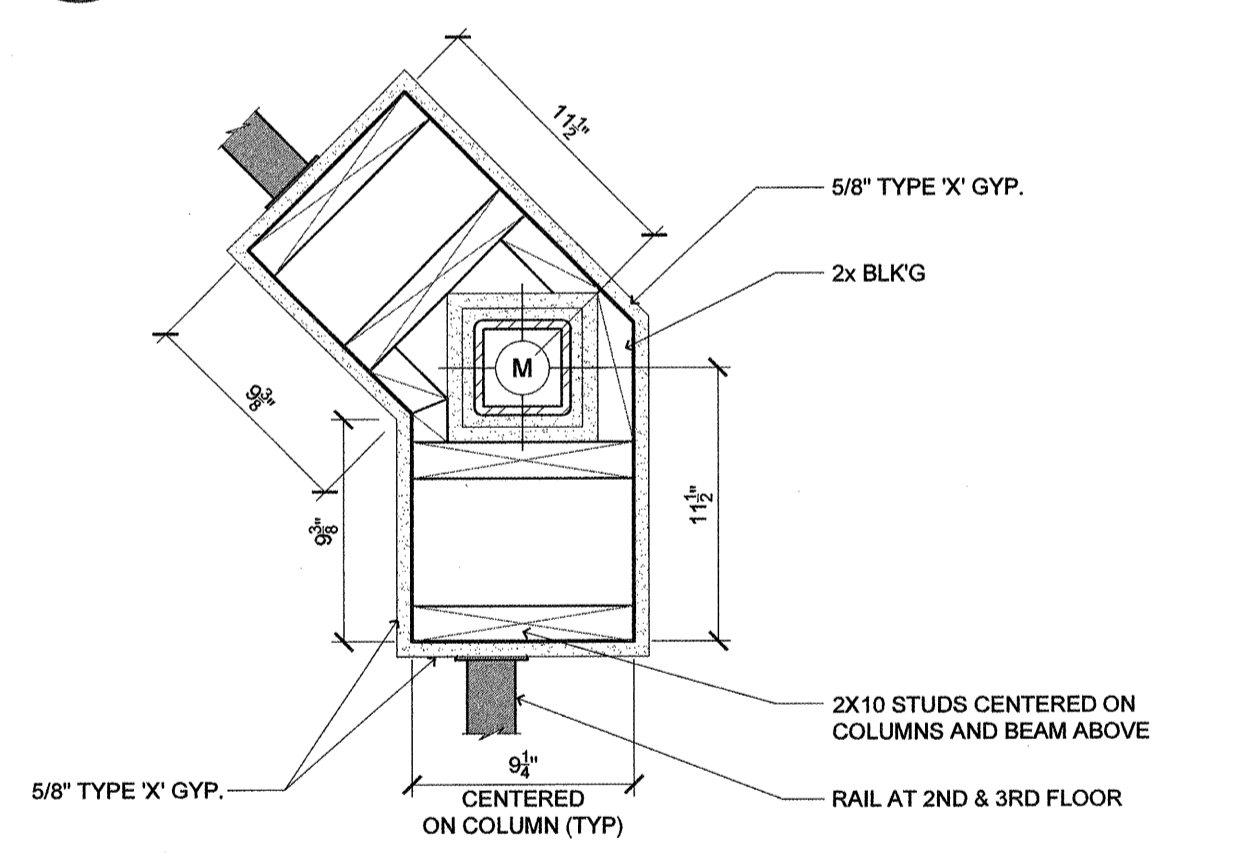


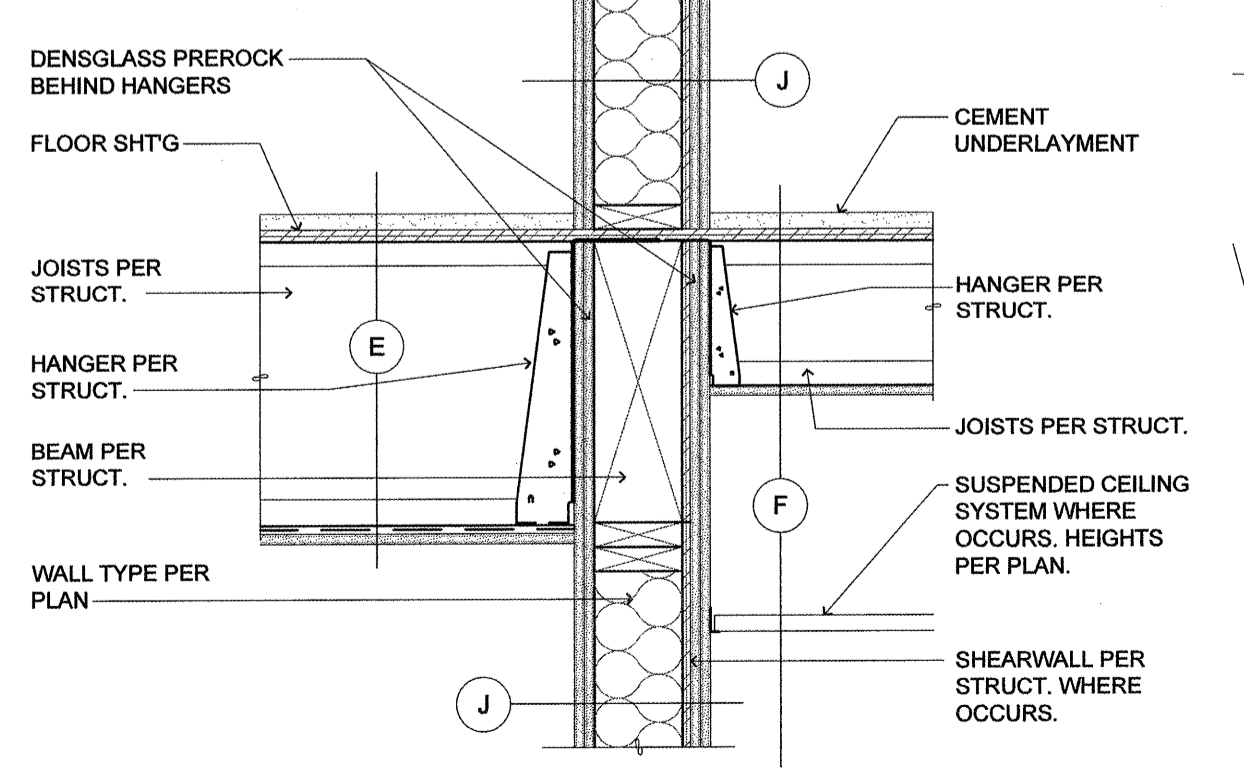
13 1 HOUR FIRE BARRIER (NON-BEARING)
SCALE: 1" = 1'-0"



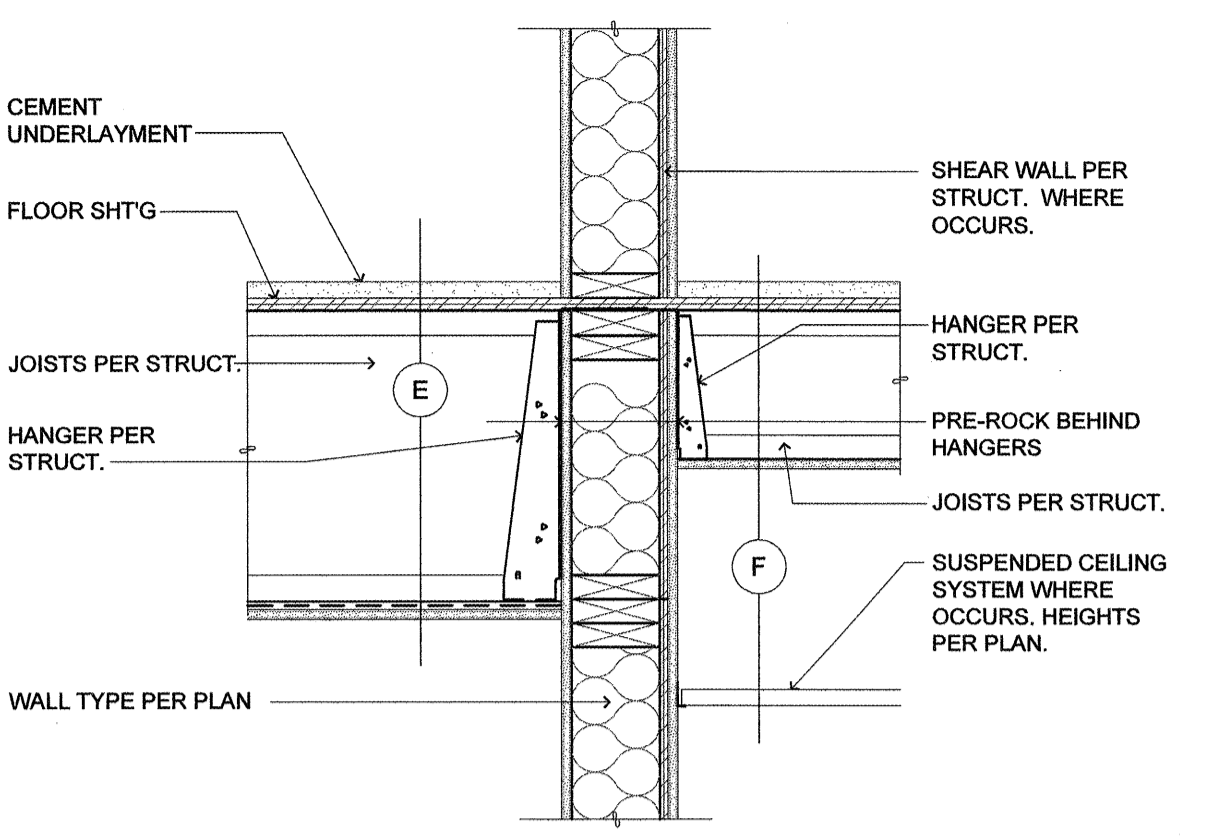
12 2 HOUR SEPARATION (LOAD BEARING)
SCALE: 1" = 1'-0"



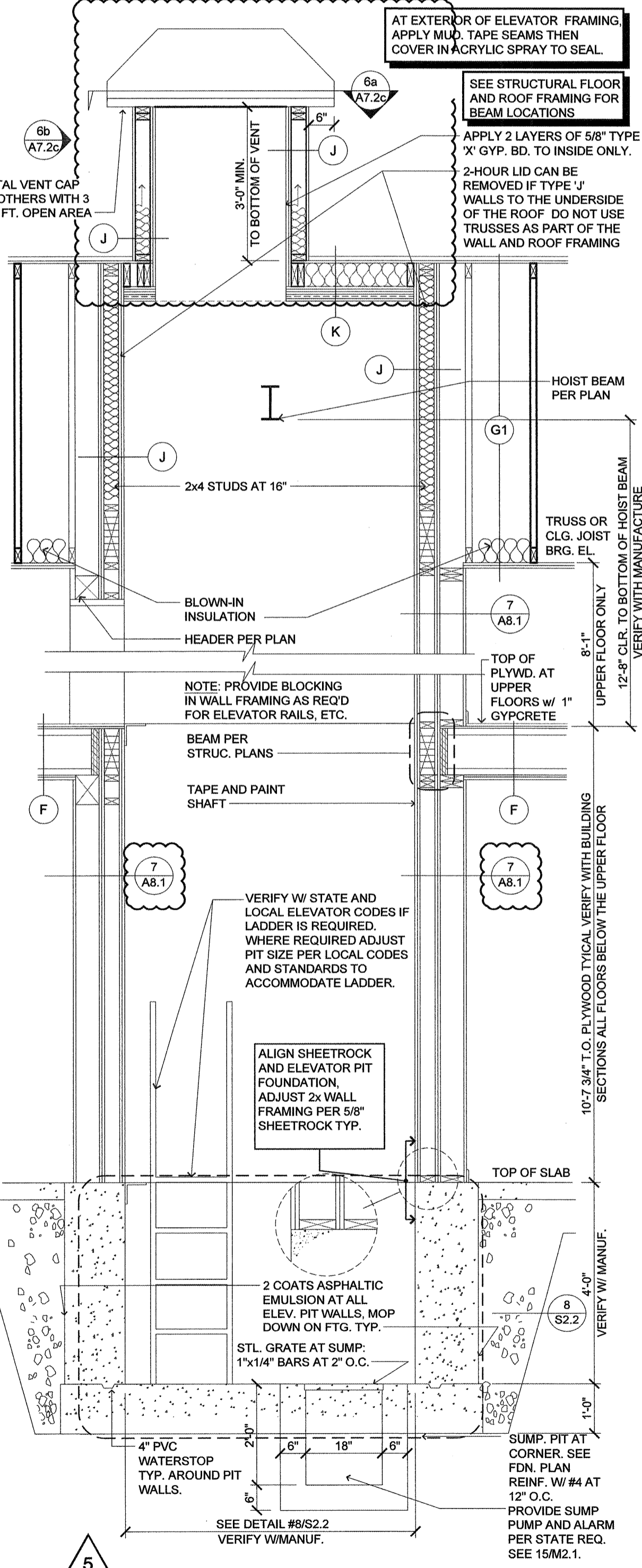
11 CORNER FRAMING (ATRIUM FRAMING)
SCALE: 1-1/2" = 1'-0"



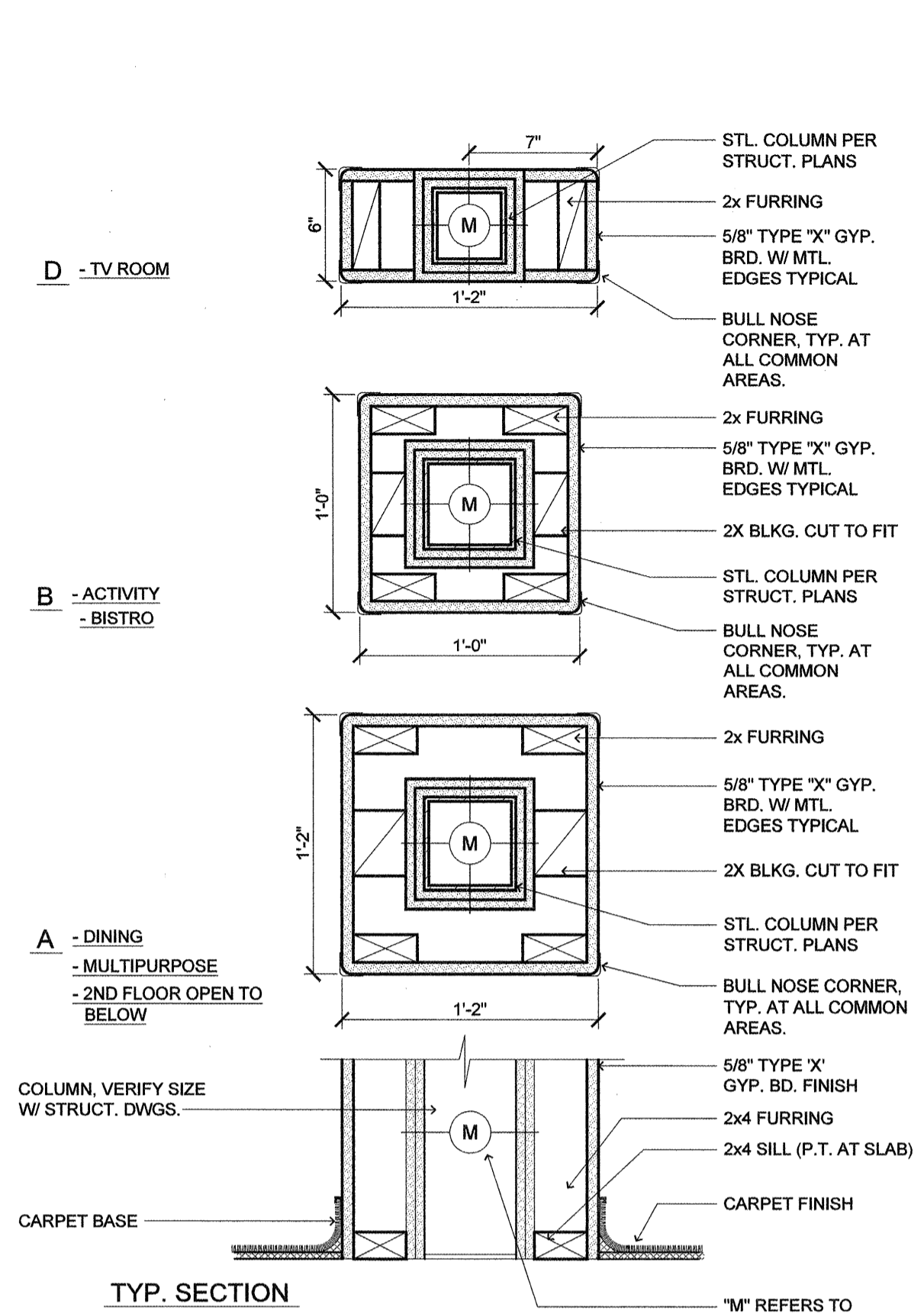
10 2 HOUR SEPARATION (LOAD BEARING PERP. TO JOIST)
SCALE: 1" = 1'-0"



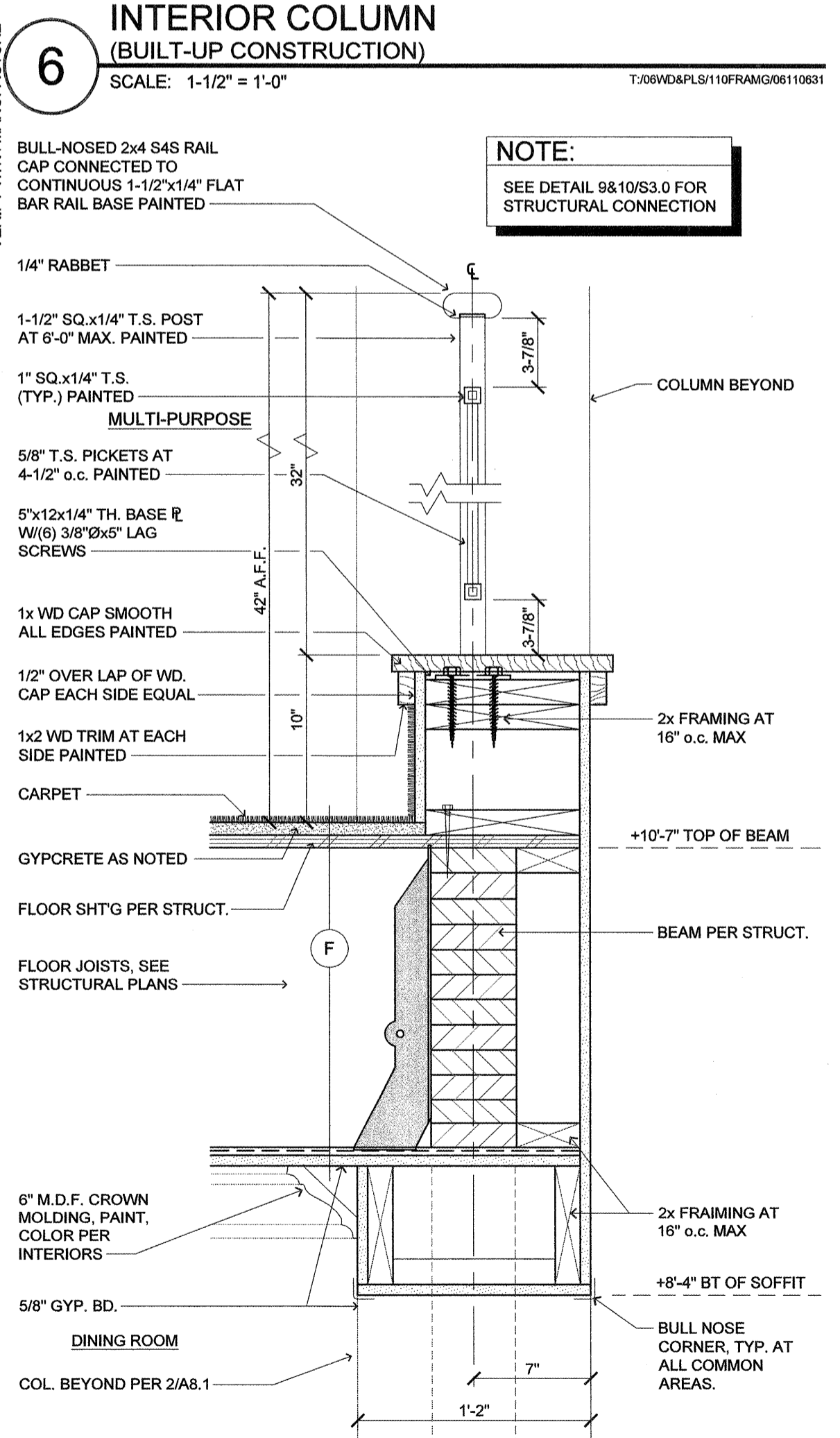
9 1 HOUR FIRE BARRIER (LOAD BEARING)
SCALE: 1" = 1'-0"



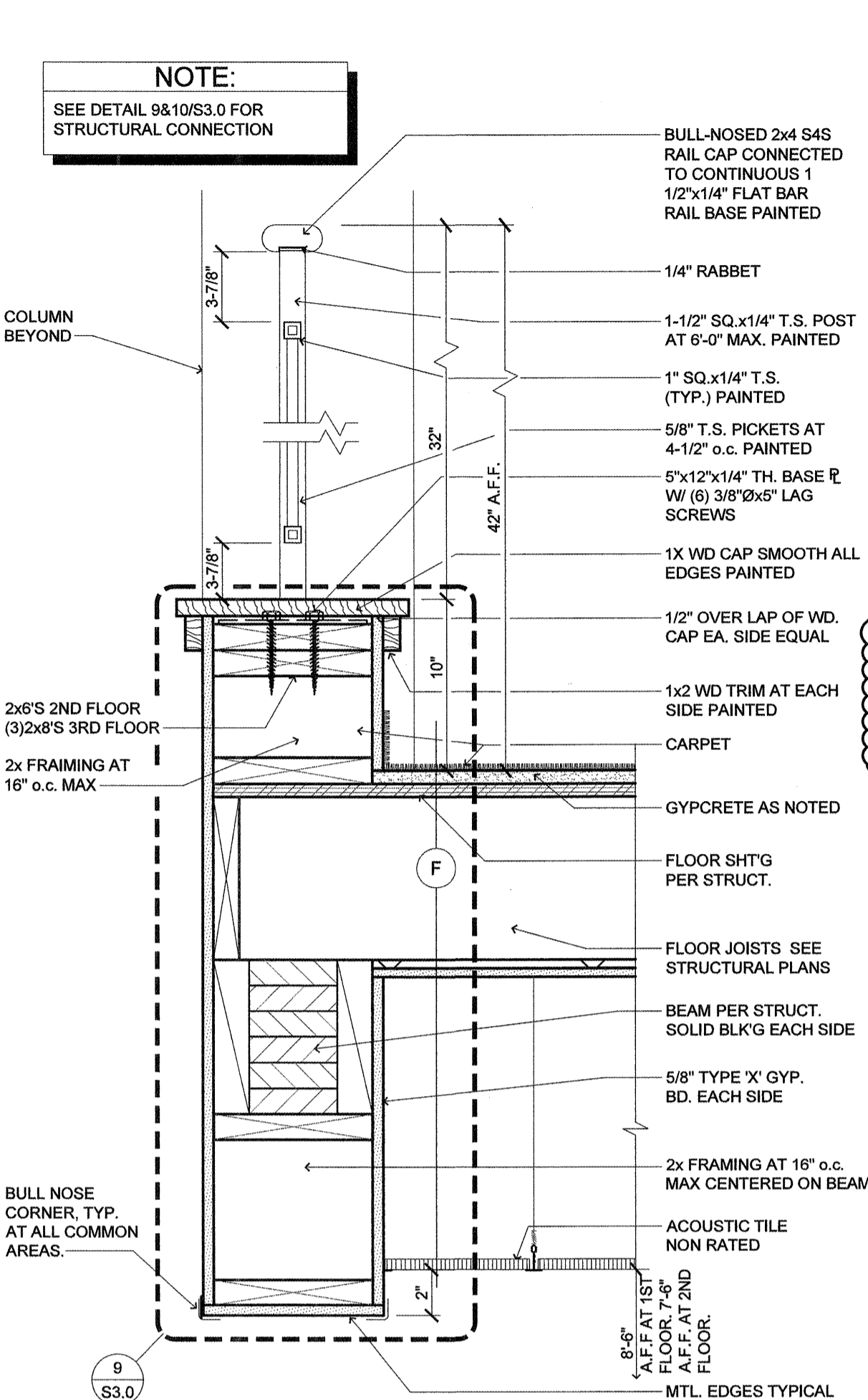
8 SECTION AT ELEVATOR-2 HOUR (SLAB ON GRADE TYPICAL SECTION)
SCALE: 1/2" = 1'-0"



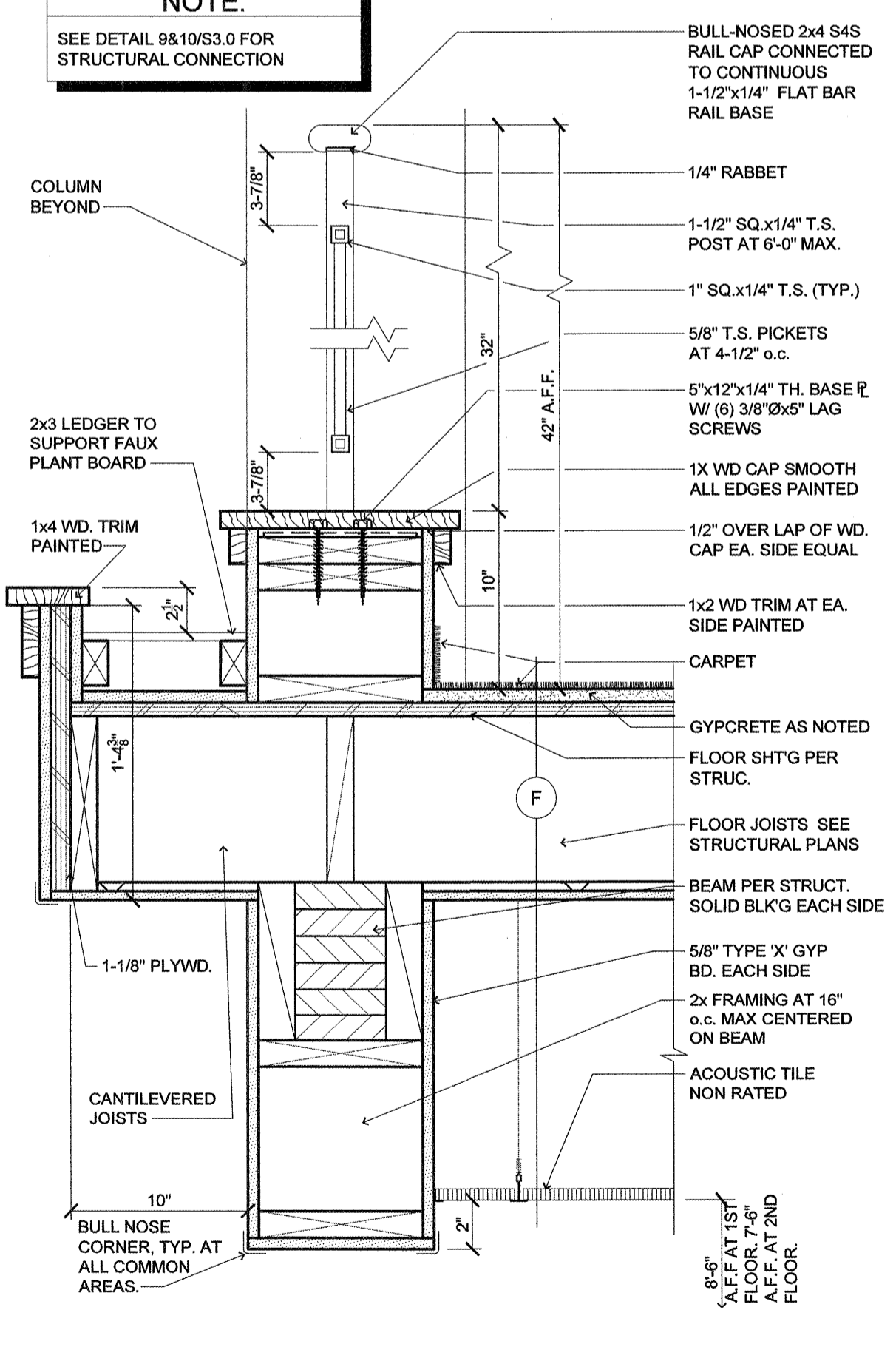
6 BALCONY (W/O PLANTER)
SCALE: 1-1/2" = 1'-0"



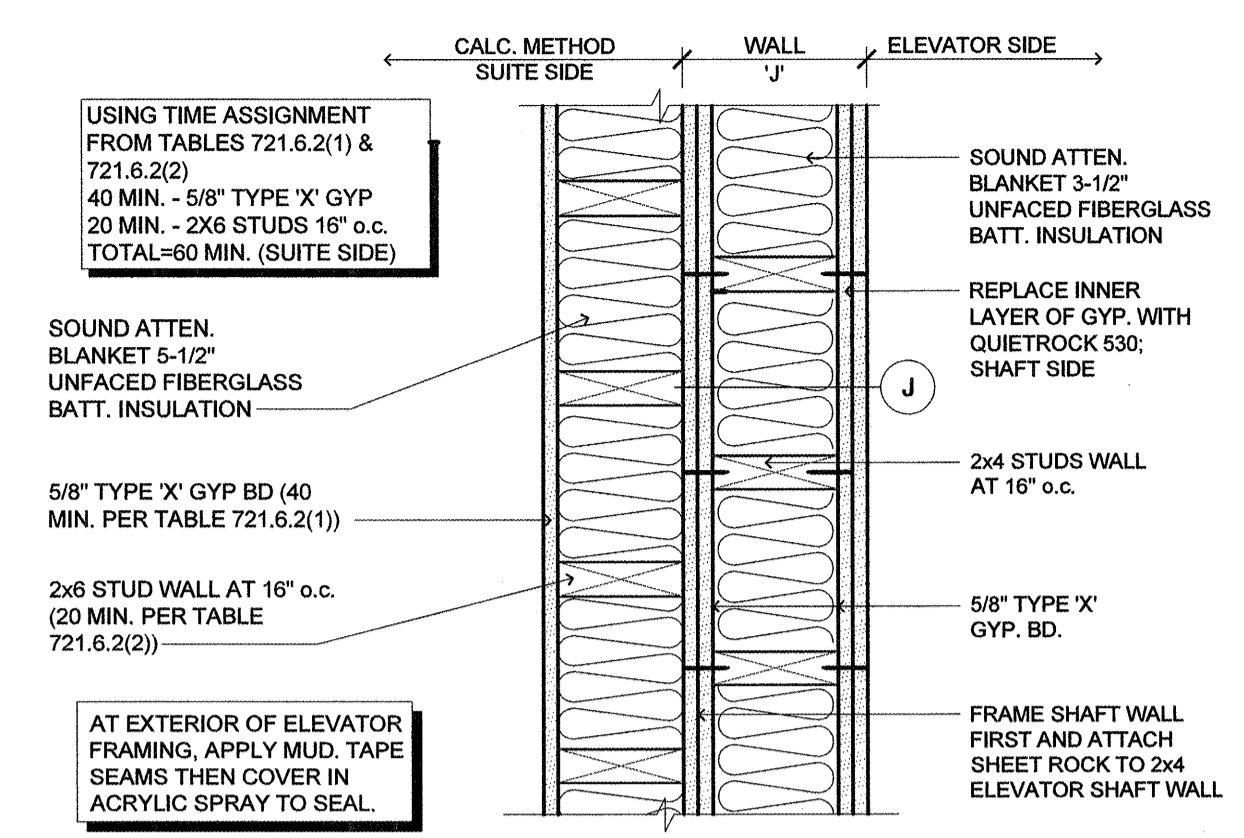
4 BALCONY (WITH PLANTER)
SCALE: 1-1/2" = 1'-0"



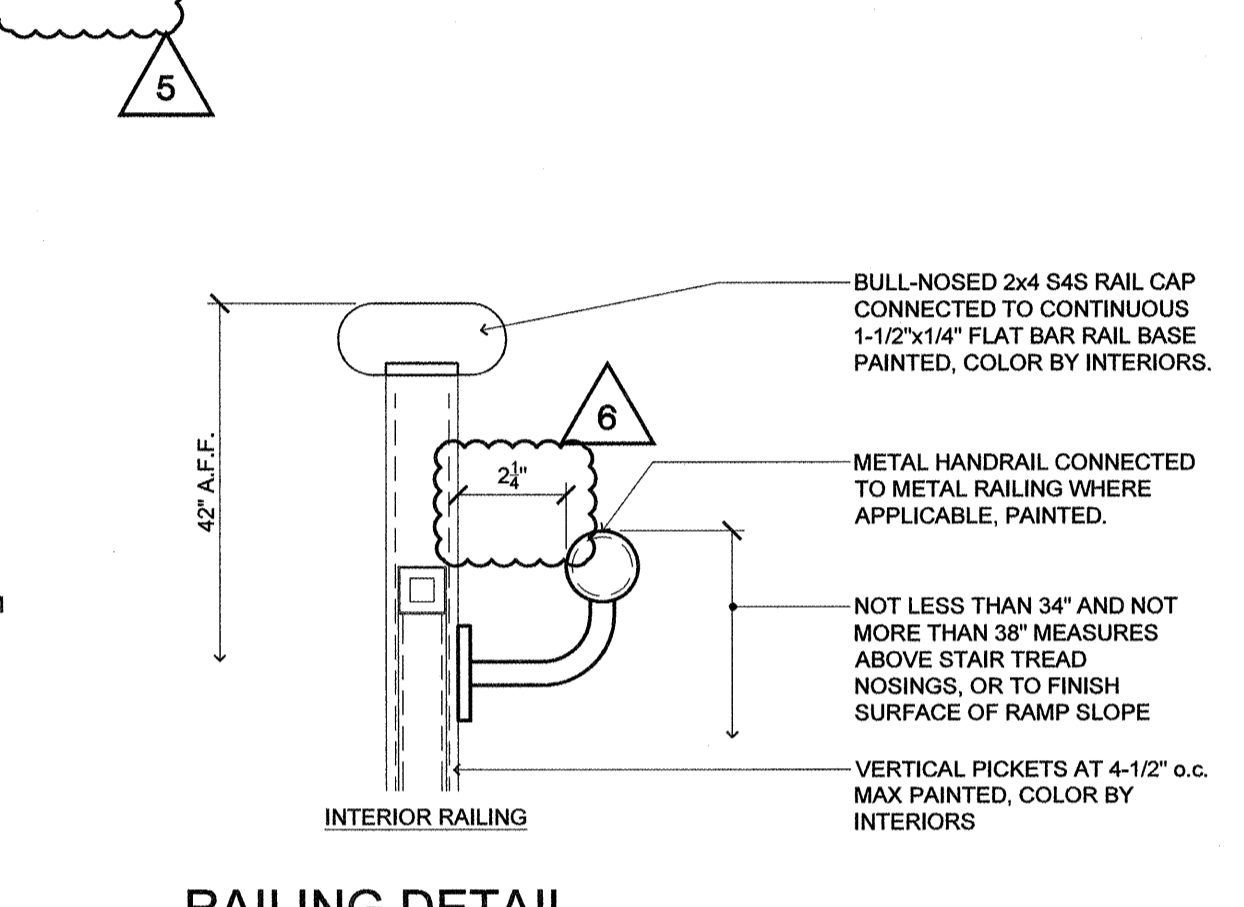
3 RAILING DETAIL (INTERIOR METAL RAILING)
SCALE: N.T.S.



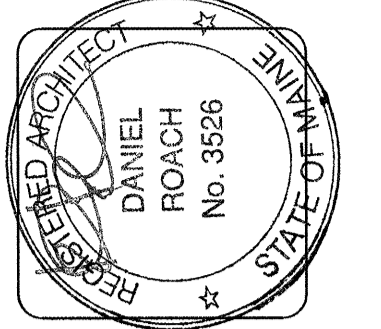
2 COLUMN BASE
SCALE: 3/4" = 1'-0"



1 NICHE (ELEVATION)
SCALE: 1/2" = 1'-0"



7 BALCONY (W/O PLANTER)
SCALE: 1-1/2" = 1'-0"



lenity architecture
3150 SE. Salem, Oregon 97330
#503 399 1030 #438 565 6665
www.lenityarchitecture.com

COLSON AND COLSON
GENERAL CONTRACTOR, INC.
2280 MCGILCHRIST STREET SE, SUITE 200
SALEM, OREGON, 97302
PHONE (503) 566-7401

PORTLAND RETIREMENT RESIDENCE
802 OCEAN AVE., PORTLAND, MAINE 04103

INTERIOR DETAILS

DATE 8/28/2015
REVISED DATE 9/22/2015
2/2/2016
SHEET A8.1

©2015 Lenity Architecture