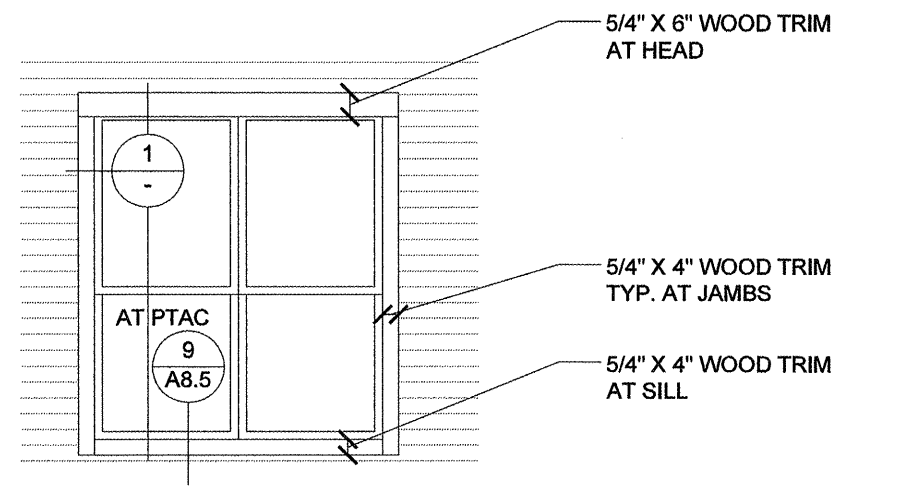


6
NOT USED

7 WINDOW TRIM
TYP. TRIM WITH NO MULLION AT STONE
SCALE: 1/4" = 1'-0"

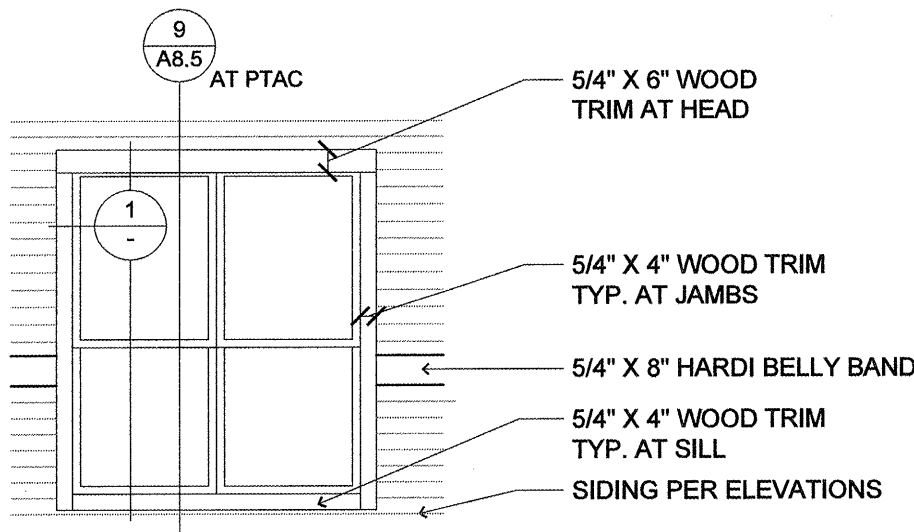


6 WINDOW TRIM
TYP. TRIM NO MULLION
SCALE: 1/4" = 1'-0"

5 NOT USED

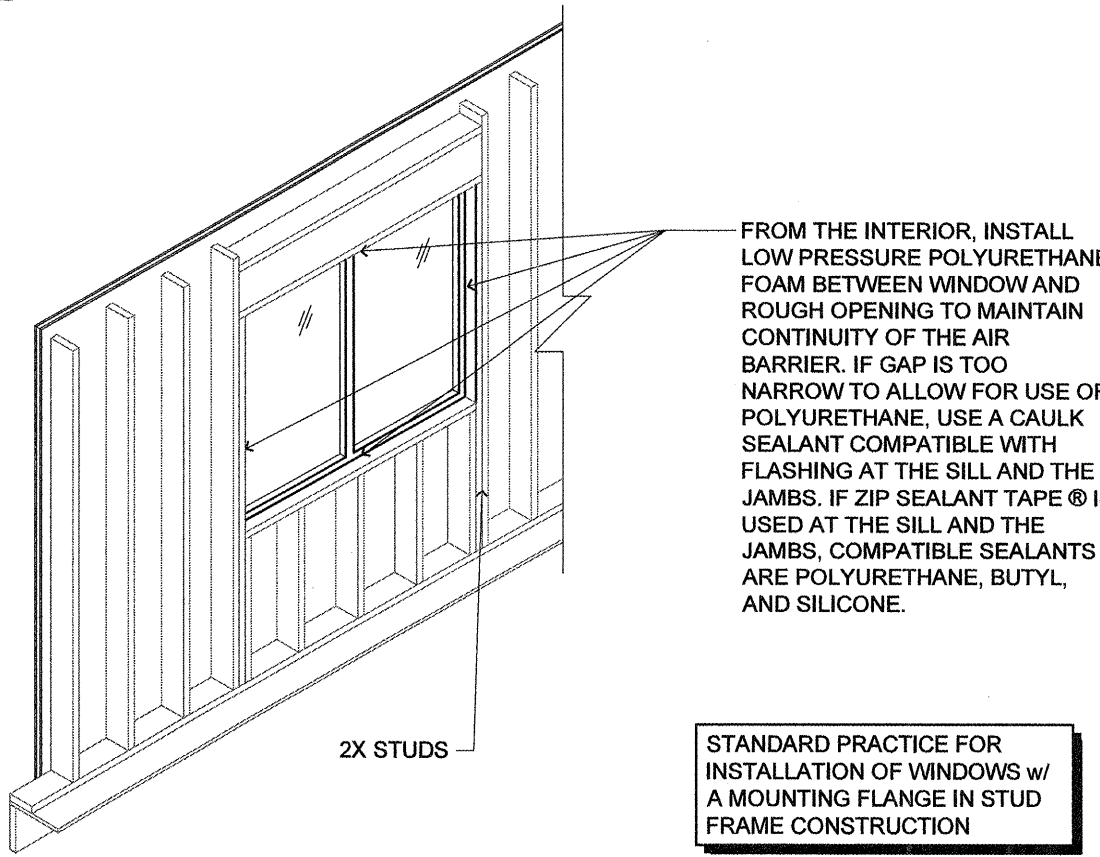
6 NOT USED

5 4F

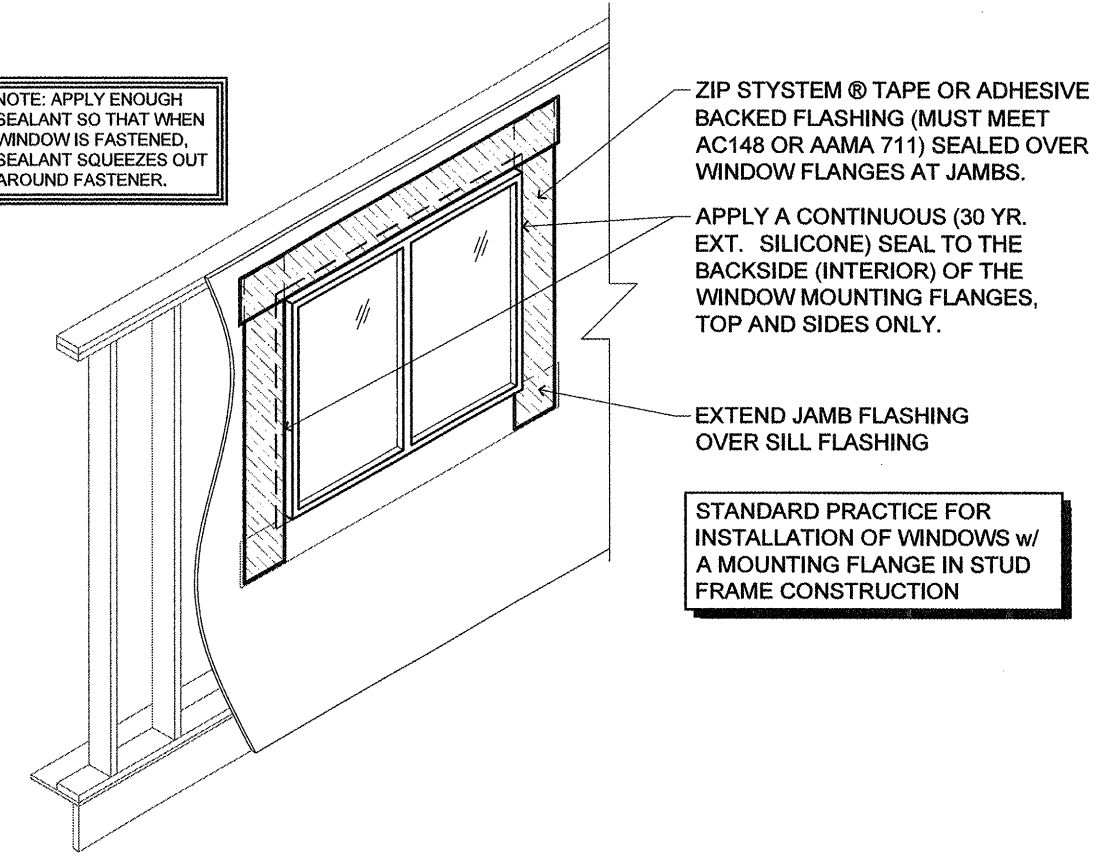


8 WINDOW TRIM
TYP. TRIM WITH NO MULLION AT CEM. BD. / CEM. BD.
SCALE: 1/4" = 1'-0"

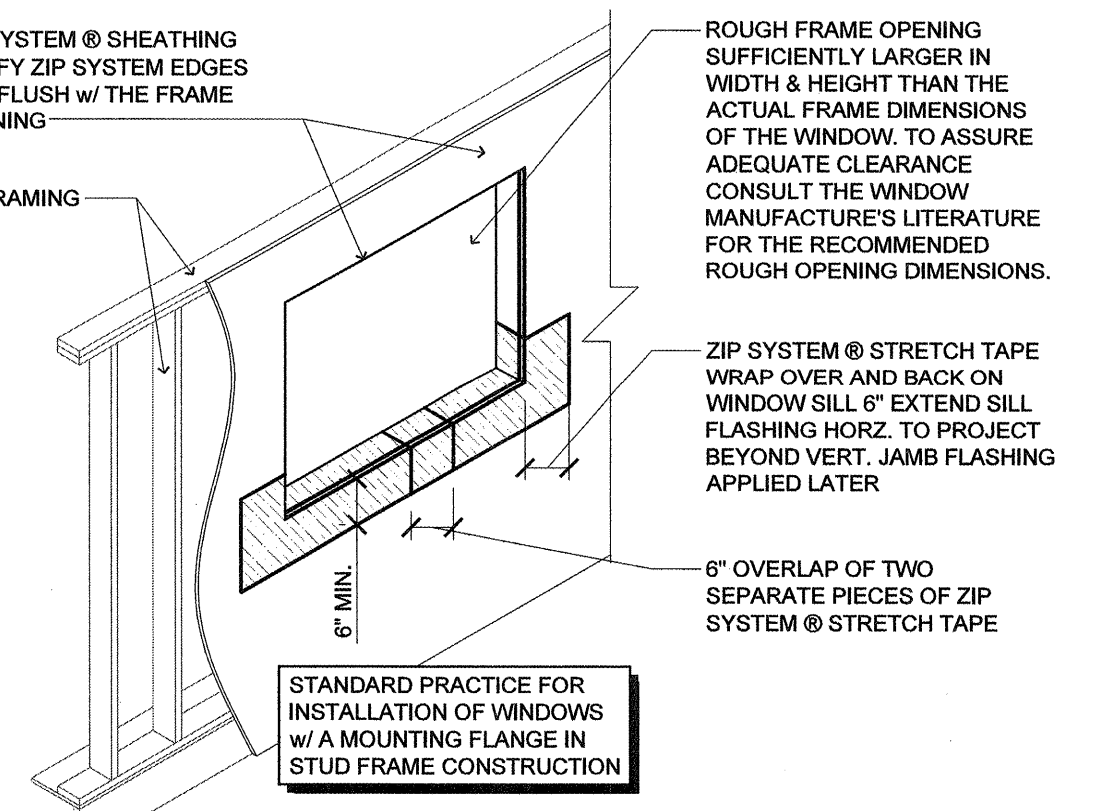
5 4E



4C INTERIOR VIEW
WINDOW INSTALL DETAIL (ZIP WALL)
SCALE: 1/4" = 1'-0"

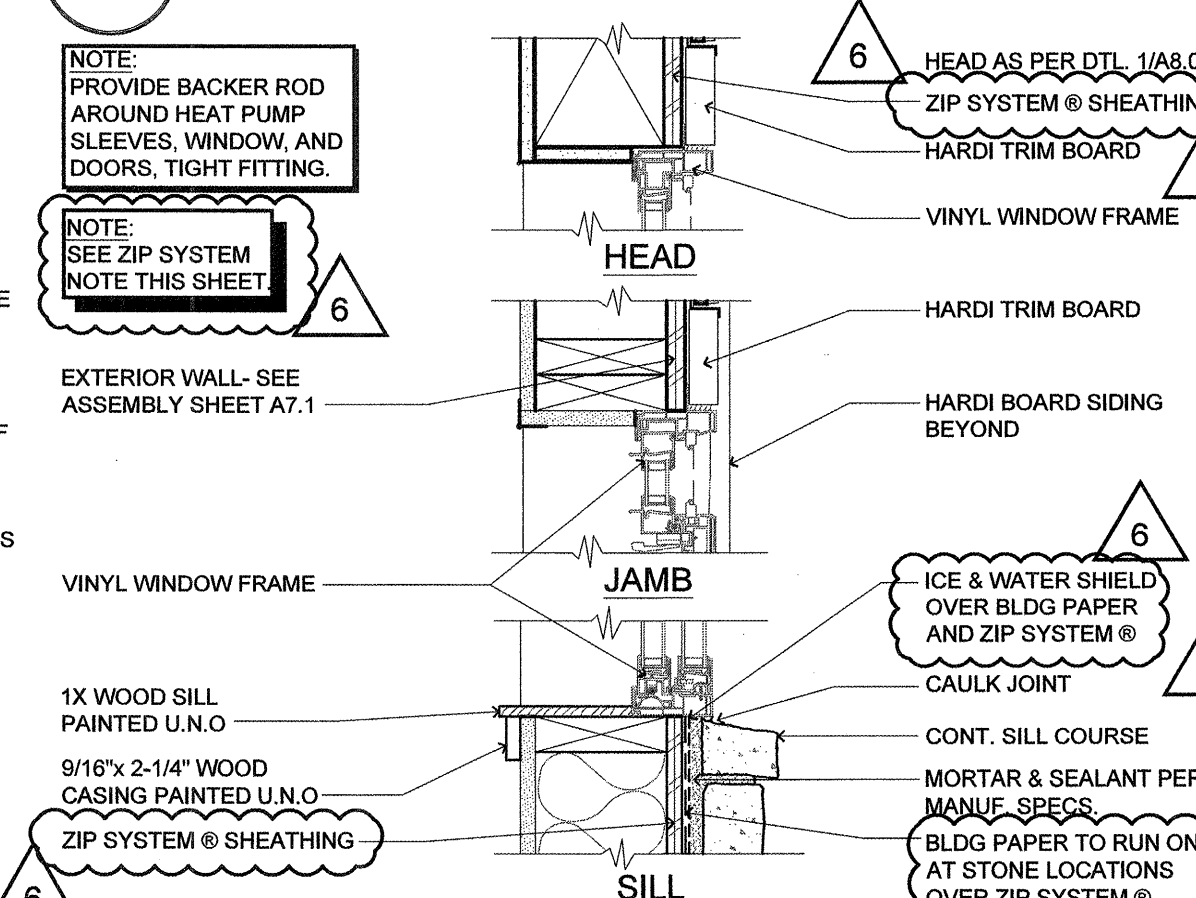


4B JAMB AND HEAD FLASHING
WINDOW INSTALL DETAIL (ZIP WALL)
SCALE: 1/4" = 1'-0"

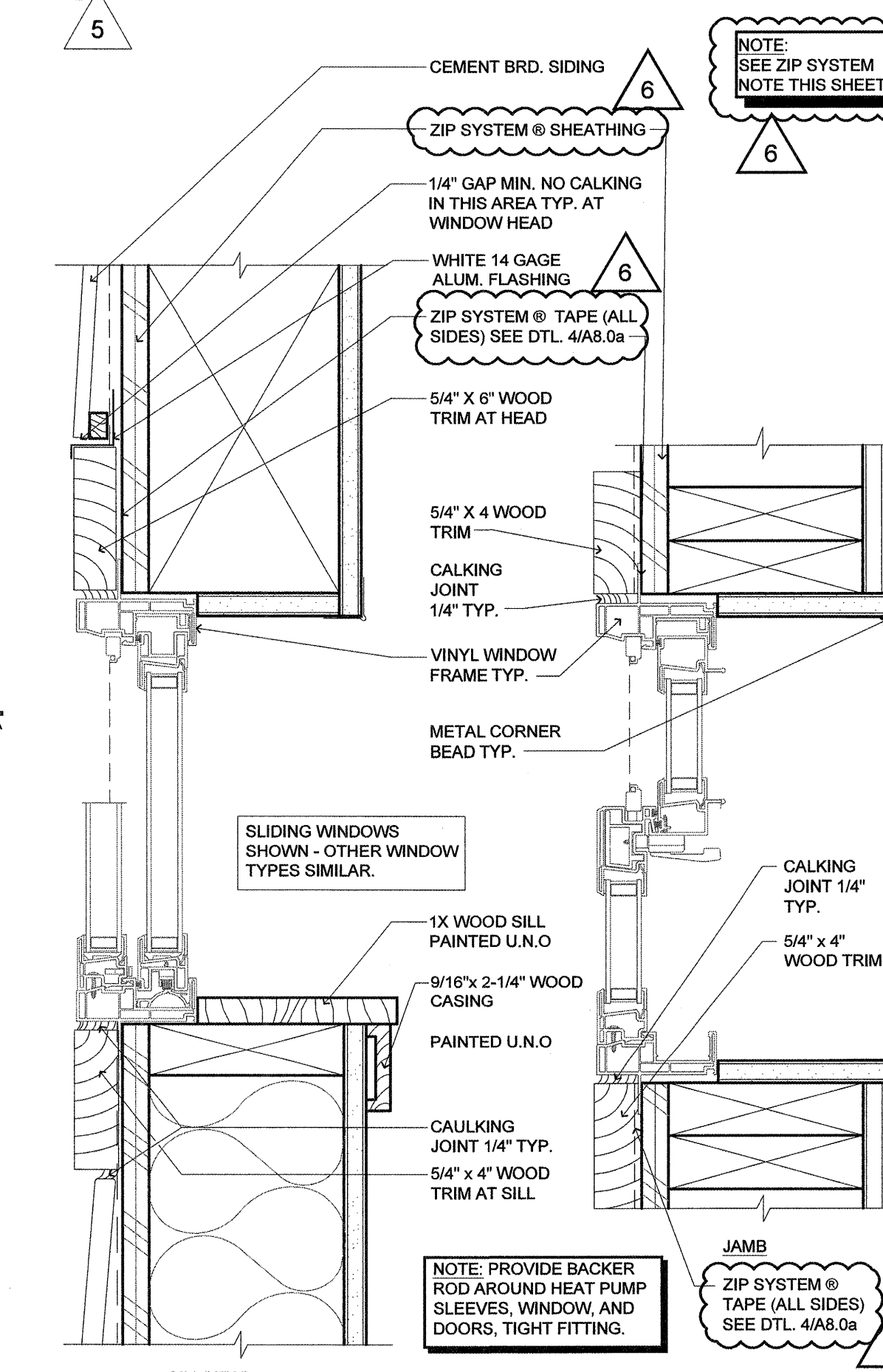


4A SILL FLASHING
WINDOW INSTALL DETAIL (ZIP WALL)
SCALE: 1/4" = 1'-0"

3 INTERIOR WOOD RE-LITE
(SILL, HEAD, AND JAMB SIM.)
SCALE: 3" = 1'-0"



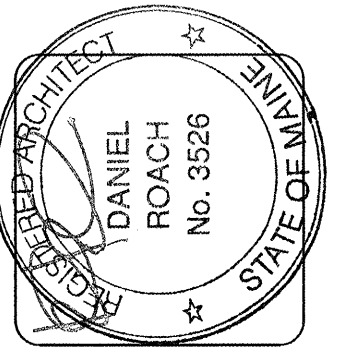
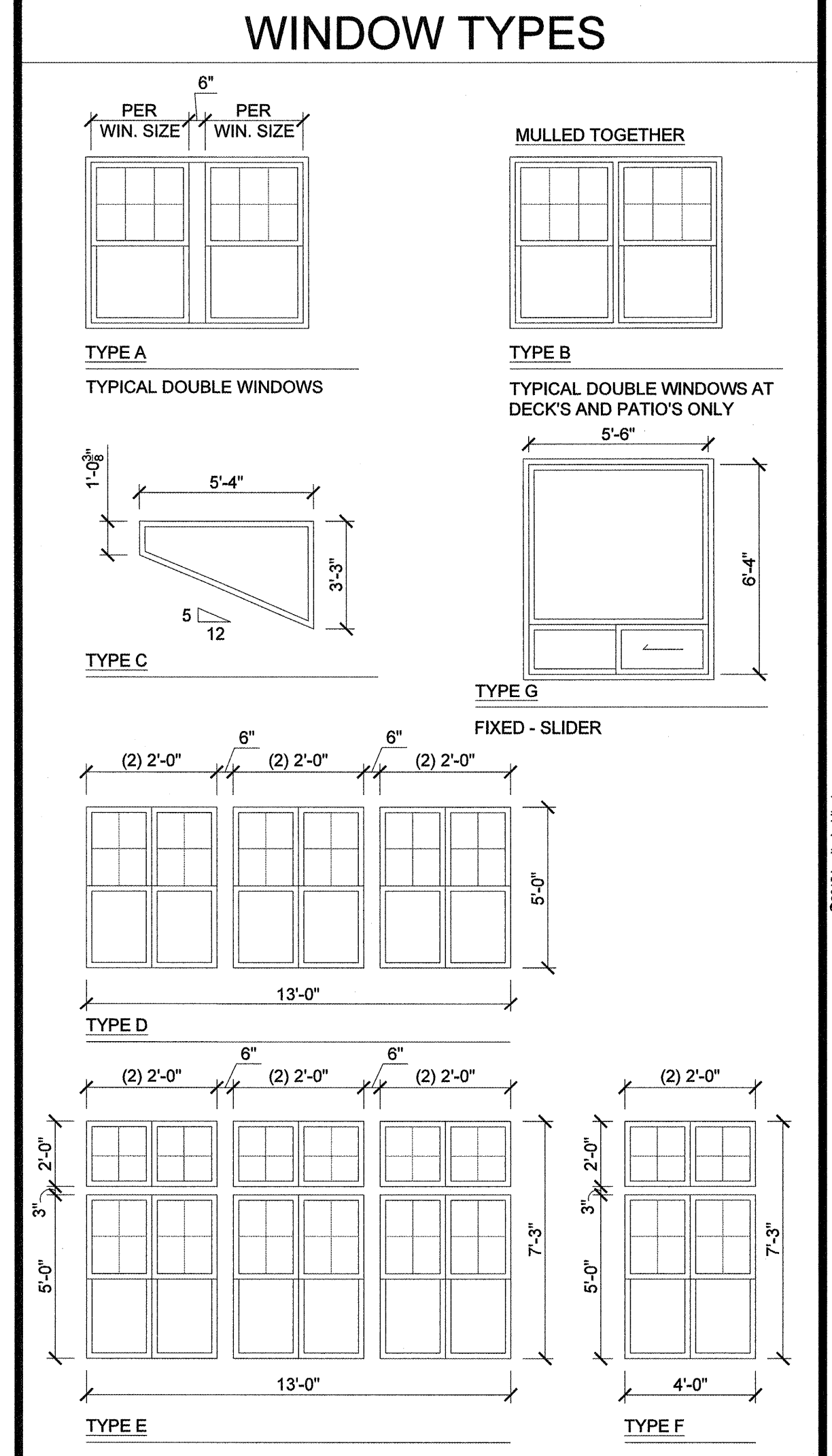
2 EXT. VINYL WINDOW (STONE)
(HEAD, JAMB, & SILL)
SCALE: 1-1/2" = 1'-0"



1 EXT. VINYL WINDOW
(SILL/HEAD SECTION, JAMB PLAN)
SCALE: 3" = 1'-0"

WINDOW SCHEDULE					
NO.	LOCATION	SIZE	TYPE	DETAIL	NOTES
1	SUITE	4050	SGL. HUNG	1,2	SEE TYPE A
2	SUITE	(2)2650	SGL. HUNG	1,2	SEE TYPE A
3	SUITE/CORRIDOR	3050	SGL. HUNG	1,2	SEE TYPE A
4	SUITE	(2)3040	SGL. HUNG	1,2	SEE TYPE A
5	DINING/ACTIVITY	(2)2656	SGL. HUNG	1,2	SEE TYPE B
6	SUITE	(2)3050	SGL. HUNG	1,2	SEE TYPE A
7	DINING	(2)2620	FIXED	1,2	SEE TYPE B
8	BISTRO	(2)2616	FIXED	1,2	SEE TYPE B
9	FOYER	4050	FIXED	1,2	SEE TYPE B
10	SUITE	(2)3050	SGL. HUNG	1,2	SEE TYPE B
11	SUITE	(2)2650	SGL. HUNG	1,2	SEE TYPE B
12	DINING	(2)3036	FIXED	1,2	w/ HORZ. BAR
13	SUITE	(2)3026	SGL. HUNG	1,2	SEE TYPE A
14	DINING	(2)3020	FIXED	1,2	SEE TYPE B
15	GYM	TYPE 'F'	FIXED	1,2	SEE TYPE B
16	DORMERS	TYPE 'C'	FIXED	1,2	TRAPEZOID, NOTE 6
17	READING	TYPE 'D'	SGL. HUNG	1,2	
18	GYM	TYPE 'D'	SGL. HUNG	1,2	
19	CUPOLA	7650	CASEMENT	1,2	XOXO, NOTE 7
20	CUPOLA	10050	CASEMENT	1,2	XOXO, NOTE 7
21	OFFICE	4040	FIXED	3	RATED 45 MIN. TRUE DIVIDED
22	FOYER	4050	FIXED	1,2	w/ HORZ. BAR
23	SUITE	(2)3040	SGL. HUNG	1,2	SEE TYPE B
24	SUITE	1650	FIXED	1,2	w/ HORZ. BAR
25	SUITE	2050	FIXED	1,2	w/ HORZ. BAR
26	SUITE	4040	SGL. HUNG	1,2	SEE TYPE A
27	BEAUTY/ TV RM	(2)4050	SGL. HUNG	1,2	SEE TYPE A
28	SUN DECK	5660	FIXED/SLIDER	1,2	SEE TYPE G
29	SUITE	(2)3026	SGL. HUNG	1,2	SEE TYPE B
30	SUITE	(2)3050	FIXED	1,2	SEE TYPE B
31	EXERCISE	1650	FIXED	1,2	STAINED GLASS WINDOW
32	SUITE	(2)3050	SGL. HUNG	1,2	SEE TYPE B, NOTE 9
33	SUITE	(2)3040	SGL. HUNG	1,2	SEE TYPE B, NOTE 9

- NOTES**
- DIMENSIONS SHOWN ARE IN FEET AND INCHES, WIDTH FOLLOWED BY HEIGHT.
 - WINDOW FRAMES TO BE VINYL.
 - WINDOW HEAD HEIGHT TO BE 7'-0" AT FINISHED FLOOR UNLESS OTHERWISE NOTED.
 - ALL GLAZING TO BE 3/4" INSULATED UNLESS OTHERWISE NOTED.
 - WINDOWS ADJACENT TO DOORS TO BE TEMPERED GLASS OR A MINIMUM OF 2' AWAY R.O. TO R.O.
 - PROVIDED (2) LEVER LATCHES PER OPERABLE LIGHTING AT EXT. SIDE WINDOW VENTS PER LOCAL JURISDICTION.
 - FINISH TO BE STAINLESS STEEL.
 - "DOUBLE WINDOW" ONLY - JACKET WINDOW IS TO BE TEMPERED WHEN CALLED OUT ON PLAN.
 - WINDOW TO BE LAMINATED GLASS.
- NOTE: WINDOWS TO HAVE A U-VALUE OF 0.30 / AND A SHGC OF 0.32
- NOTE: ALL GLAZING (FENESTRATION PRODUCTS) WILL BE INSTALLED WITH A CERTIFYING LABEL ATTACHED SHOWING THE "U" VALUE
- NOTE: WINDOWS IN SLEEPING ROOMS DO NOT NEED TO MEET EGRESS REQUIREMENTS PER SECTION 1026.1 EXCEPTION #1 (BUILDING HAS AUTOMATIC SPRINKLER SYSTEM)



lenity architecture
3150 Melville Court, SE, Salem, Oregon 97301
P: 503.399.1950 F: 503.399.0385

COLSON AND COLSON
GENERAL CONTRACTOR, INC.
2260 McGINCHREST STREET SE, SUITE 200
SALEM, OREGON 97302
PHONE (503) 586-7401

PORTLAND RETIREMENT RESIDENCE
802 OCEAN AVE. PORTLAND, MAINE 04103

WINDOW SCHEDULE AND DETAILS

DATE: 8/28/2015

REVISED DATE: 9/22/2015

SHEET: A8.0a

DATE: 7/18/2016