

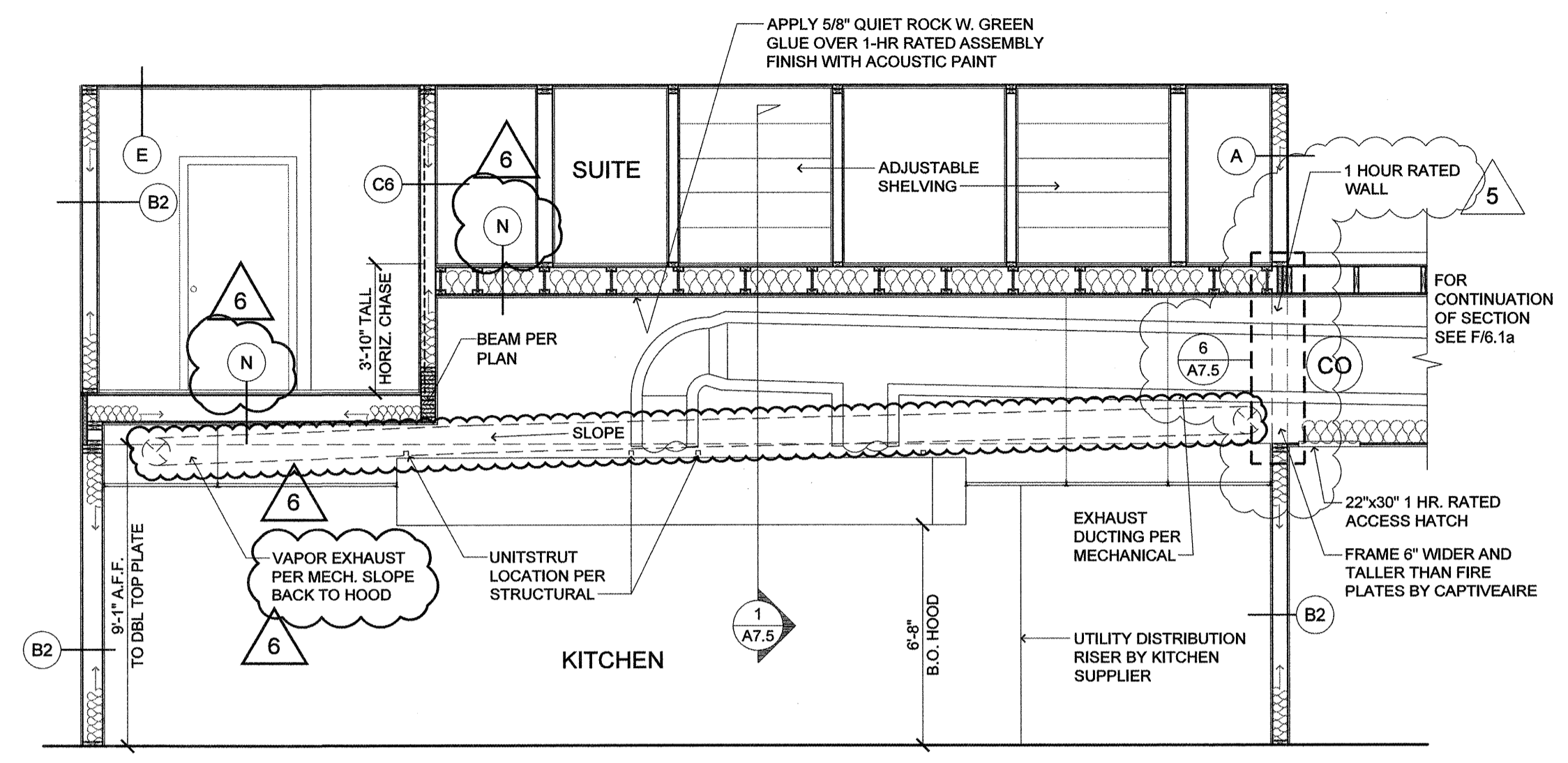
**lenity architecture**  
 3850 14th Ave. S. Suite 200  
 Salem, Oregon 97302  
 P: 503.398.1090 F: 503.398.0585  
 www.lenityarchitecture.com

**COLSON AND COLSON**  
 GENERAL CONTRACTOR, INC.  
 2280 McGilchrist Street SE, Suite 200  
 Salem, Oregon, 97302  
 PHONE (503) 586-7401

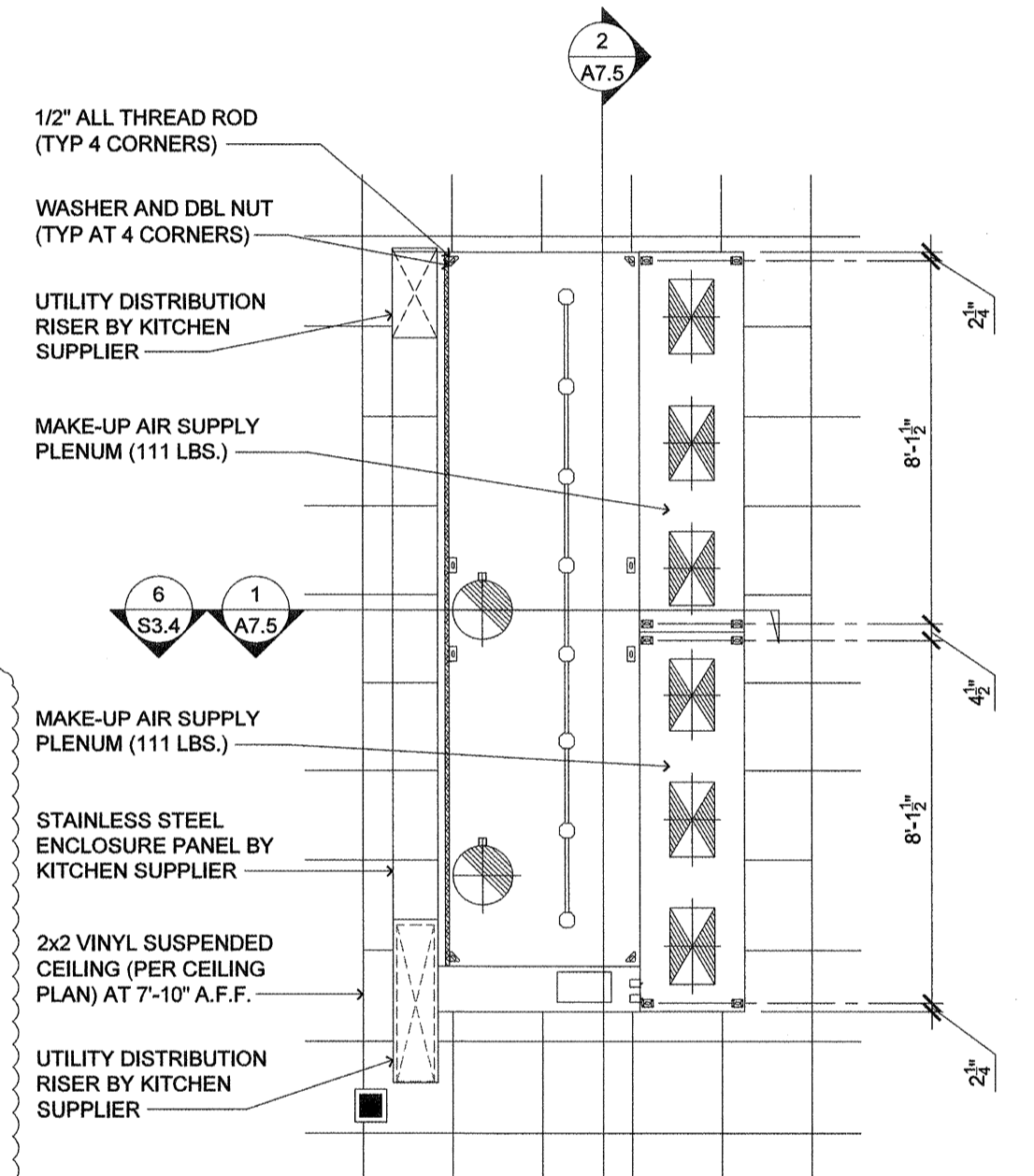
**PORTLAND RETIREMENT RESIDENCE**  
 802 OCEAN AVE. PORTLAND, MAINE 04103

**KITCHEN HOOD DETAILS**

DATE: 8/28/2015  
 REVISED DATE:  
 SHEET: A7.5

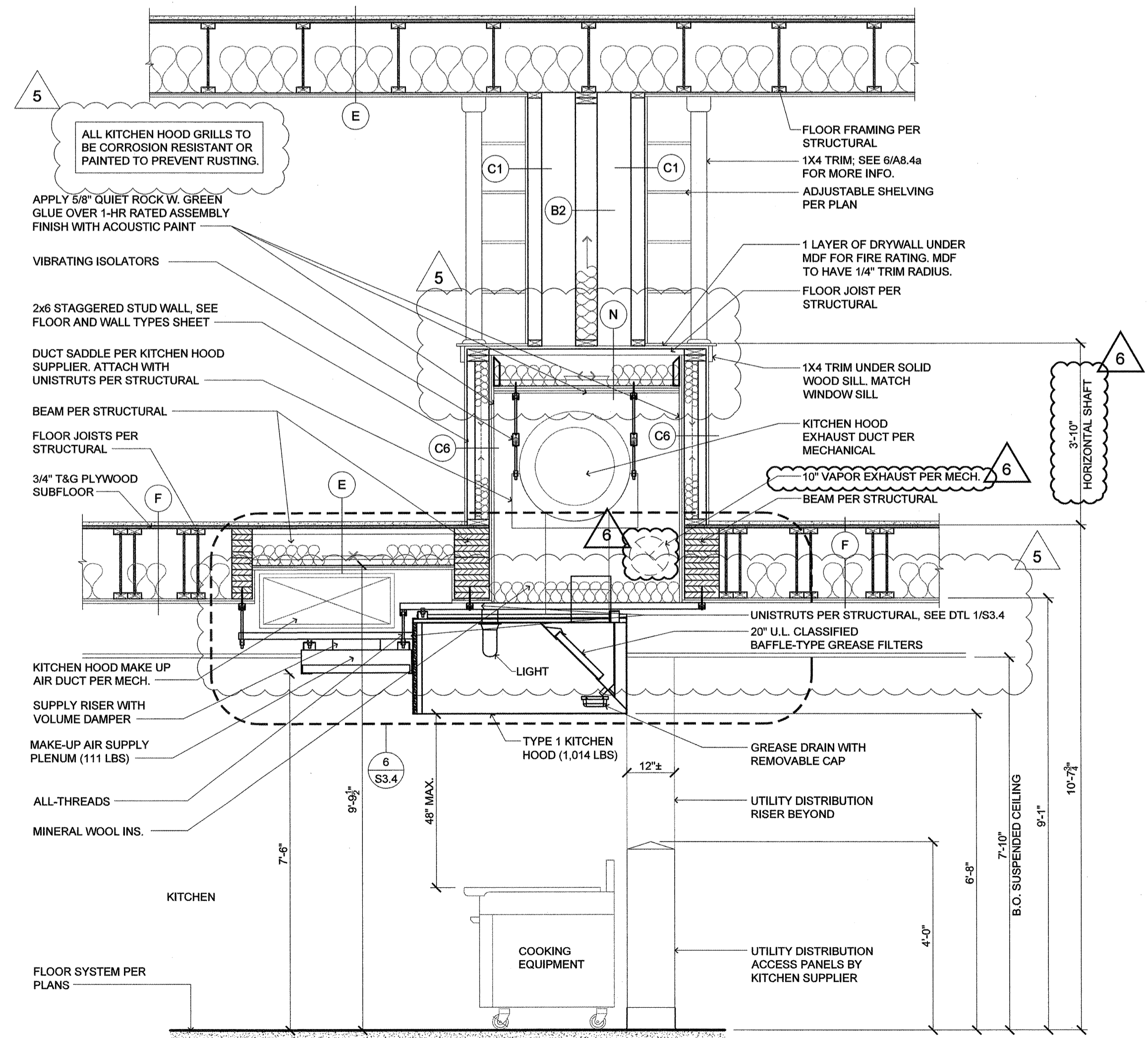


**2 KITCHEN HOOD (SECTION)**  
 SCALE: 1/4" = 1'-0"



NOTE: ANGLE SUSPENDED CEILING AT HOOD ACCESS HATCH TO ALLOW ROOM FOR SIDE PANEL TO OPEN.

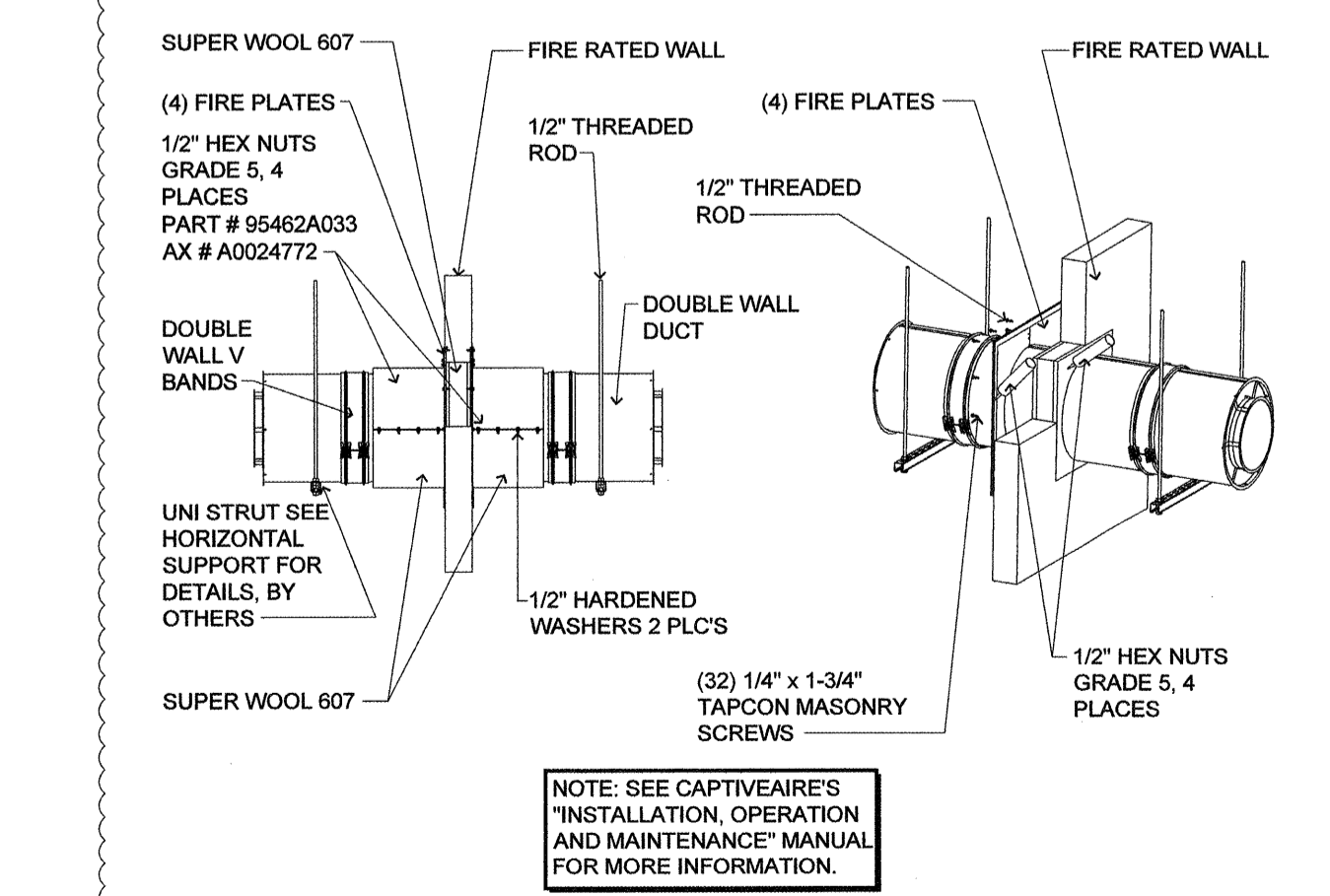
**5 KITCHEN HOOD (CEILING PLAN)**  
 SCALE: 1/4" = 1'-0"



**1 DUCT FRAMING (KITCHEN EXHAUST DUCT) MULTI-STORY**  
 SCALE: 1/2" = 1'-0"

**5 WALL FIRE STOP INSTALLATION - BY CAPTIVEAIRE**

- CUT AN OPENING IN THE WALL THAT IS A MINIMUM OF 2" AND A MAXIMUM OF 3" LARGER THAN THE OUTSIDE DIAMETER OF THE DUCT BEING INSTALLED.
- THE GREASE DUCT CAN BE INSTALLED ECCENTRICALLY OR CONCENTRICALLY WITH THE OPENING. THE DISTANCE FROM THE OUTSIDE OF THE GREASE DUCT TO THE PERIPHERY OF THE OPENING CANNOT EXCEED 2". 2" IS THE MAXIMUM ANNUAL DISTANCE ALLOWED.
- APPLY A CONTINUOUS 1/2" BEAD OF STI TRIPLE S INTUMESCENT AROUND THE FIRE PLATES. THE FIRE PLATES ARE DESIGNED TO FIT AROUND THE DUCT AND OVERLAP BY 1".
- THE FIRE PLATES ARE INSTALLED ON THE BACKSIDE OF THE WALL. PUSH THE PLATES UP TO THE WALL SO THE INTUMESCENT SEALS THE PLATES AGAINST THE WALL. THEN SECURE USING 1/4-20 x 1-1/2" LONG CONCRETE FASTENERS WHERE THE PLATES OVERLAP SECURE USING 1/4-20 x 1" SHEET METAL SCREWS.
- APPLY A 3/4" COVERING OF INTUMESCENT SEALANT TO THE INSIDE OF THE FIRE PLATES INSTALLED ON THE BACKSIDE OF THE WALL. THE SEALANT SHOULD BE SMOOTH AND WITHOUT ANY GAPS ON THE EDGES OF THE OPENING OR OUTSIDE OF DUCT.
- FILL THE CAVITY USING THE INSULATION PROVIDED, ENSURING THAT ALL VOIDS ARE FILLED. THE INSULATION IS FULLY COMPRESSED INTO THE OPENING UNTIL IT IS 3/4" FROM THE EDGE OF THE OPENING IN THE WALL.
- COVER THE COMPRESSED INSULATION WITH INTUMESCENT. CONTINUE UNTIL THE INTUMESCENT IS FLUSH WITH THE EDGE OF THE WALL OPENING. THE INTUMESCENT SHOULD OVERLAP ON TO THE WALL, ENSURING THERE ARE NO GAPS BETWEEN THE EDGES OF THE OPENING OR THE DUCT OUTER SHELL.
- INSTALL THE FIRE PLATES ON THE FRONT SIDE OF THE WALL. PUSH THE PLATES UP TO THE WALL SO THE INTUMESCENT SEALS THE PLATES AGAINST THE WALL. THEN SECURE USING 1/4-20 x 1-1/2" LONG CONCRETE FASTENERS WHERE THE PLATES OVERLAP SECURE USING 1/4-20 x 1" SHEET METAL SCREWS.
- WRAP ONE LAYERS OF 1" x 12" PROVIDED INSULATION AROUND THE BASE OF THE DUCT AND ENCLOSE WITH THE HALF ENCLOSURE BANDS. THE INSULATION AND BANDS SHOULD BE TOUCHING THE INTUMESCENT. THE ENCLOSURE BANDS ARE ASSEMBLED USING 1/4-20 x 1" HARDWARE. THIS IS DONE ON THE FRONT AND BACK OF THE WALL.
- HORIZONTAL SUPPORTS ARE USED TO SUPPORT THE DUCT ON EITHER SIDE OF THE WALL.



**6 KITCHEN HOOD EXHAUST DUCT (FIRE RATED DETAIL)**  
 SCALE: 1/4" = 1'-0"

3 AND 4 NOT USED