

lenity
architecture

3150 Kettle Court SE, Salem, Oregon 97301
P 503 399 0585 F 503 399 0585 W lenityarchitecture.com

COLSON AND COLSON
GENERAL CONTRACTOR, INC.
2280 McILCHRIST STREET SE, SUITE 200
SALEM, OREGON, 97302
PHONE (503) 586-7401

PORTLAND
RETIREMENT RESIDENCE
802 OCEAN AVE., PORTLAND, MAINE 04103

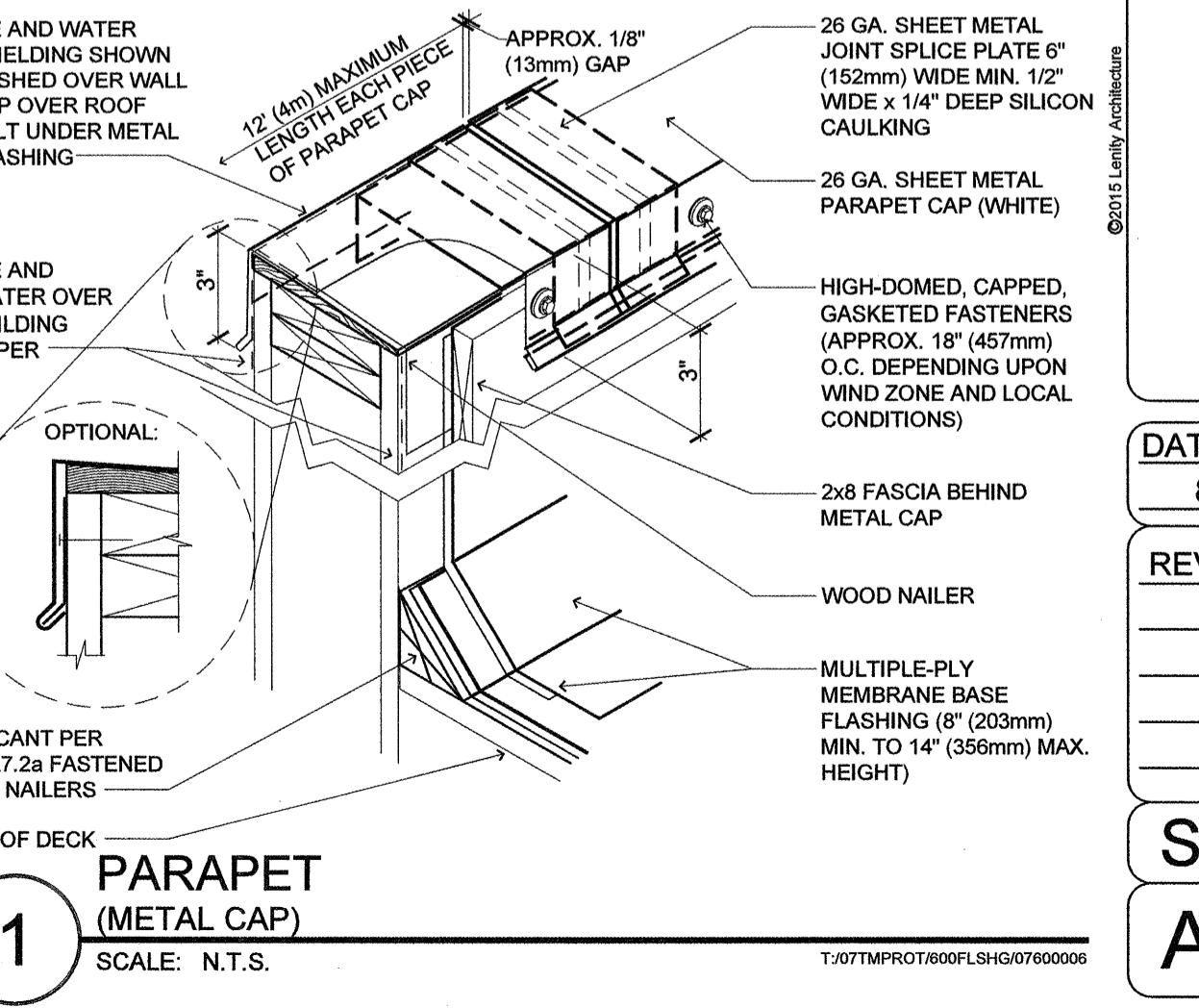
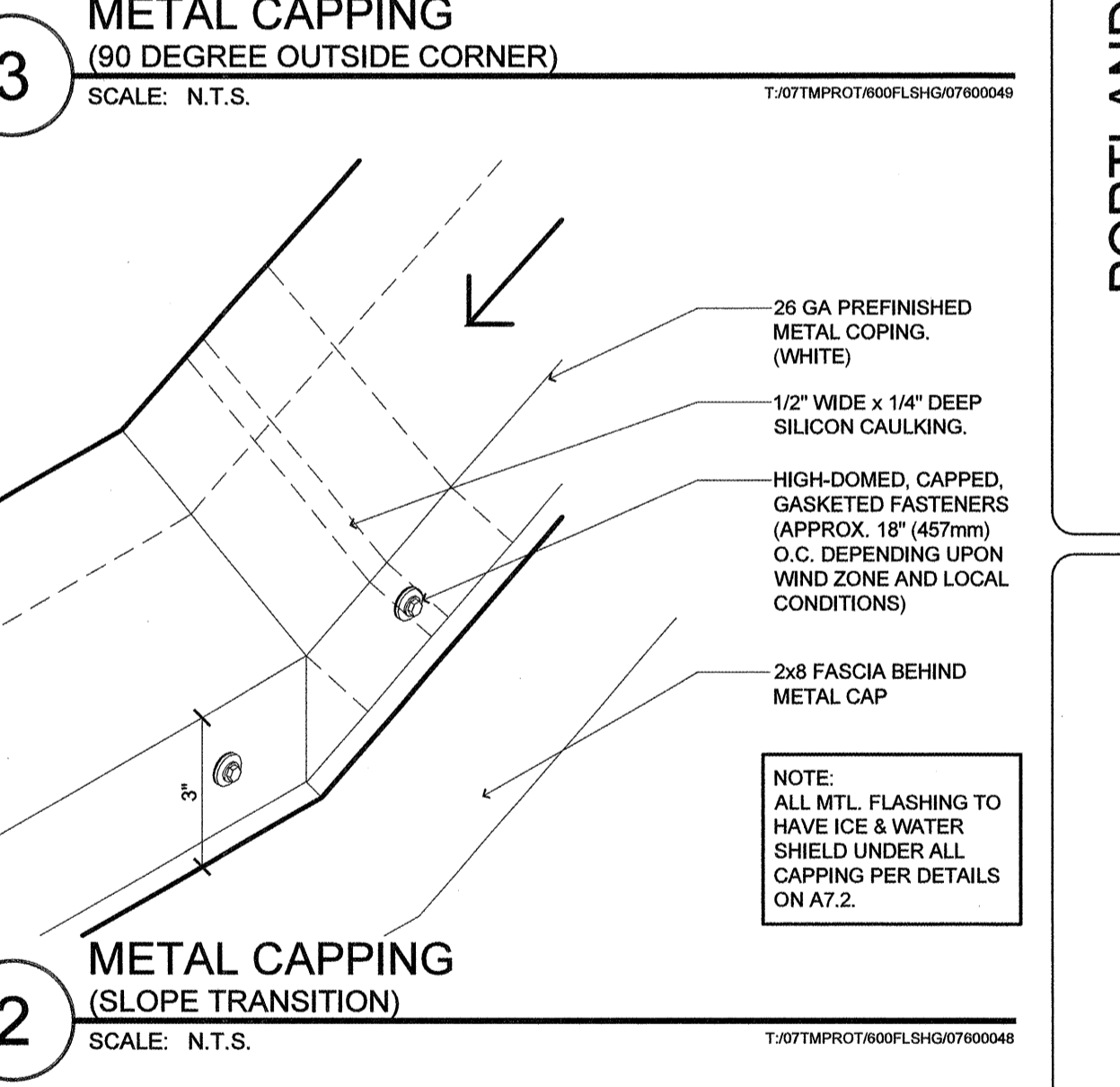
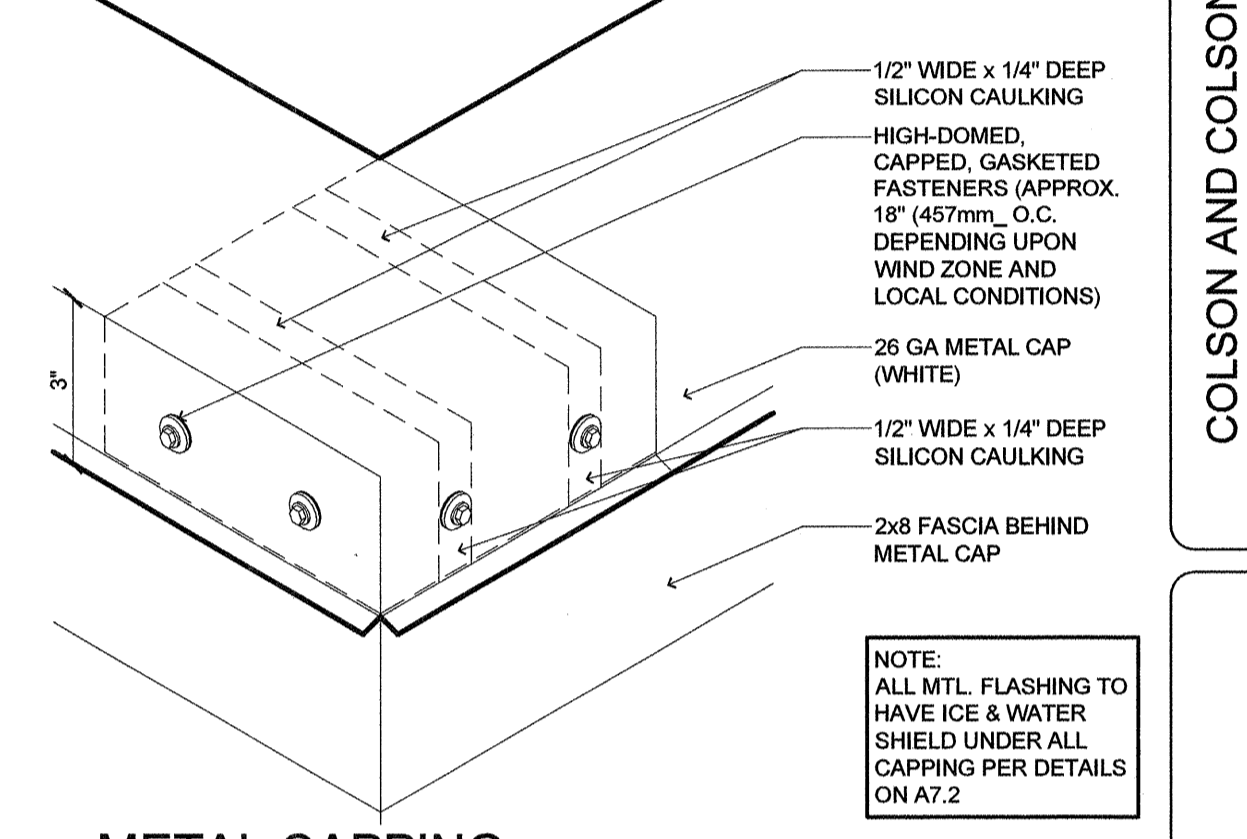
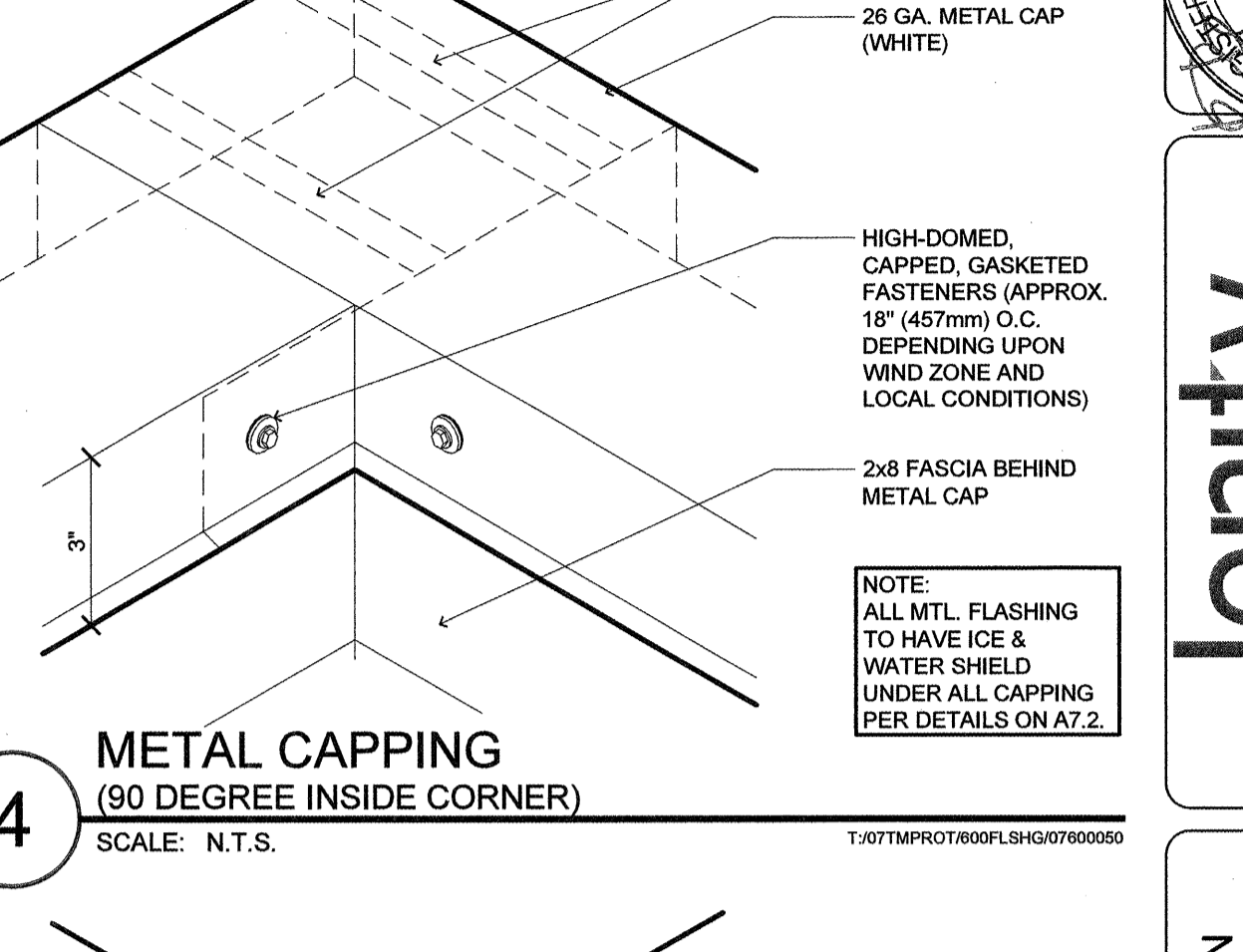
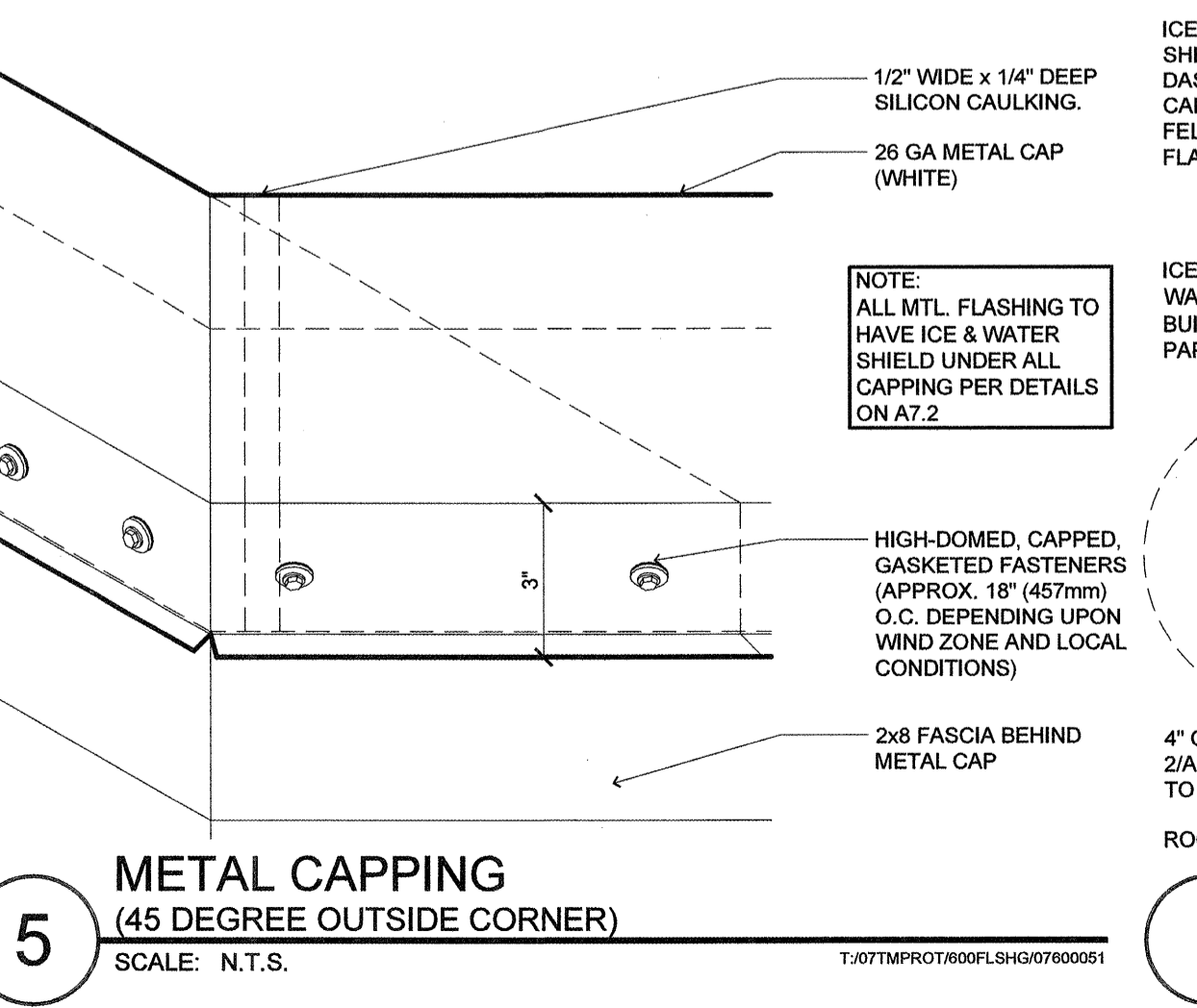
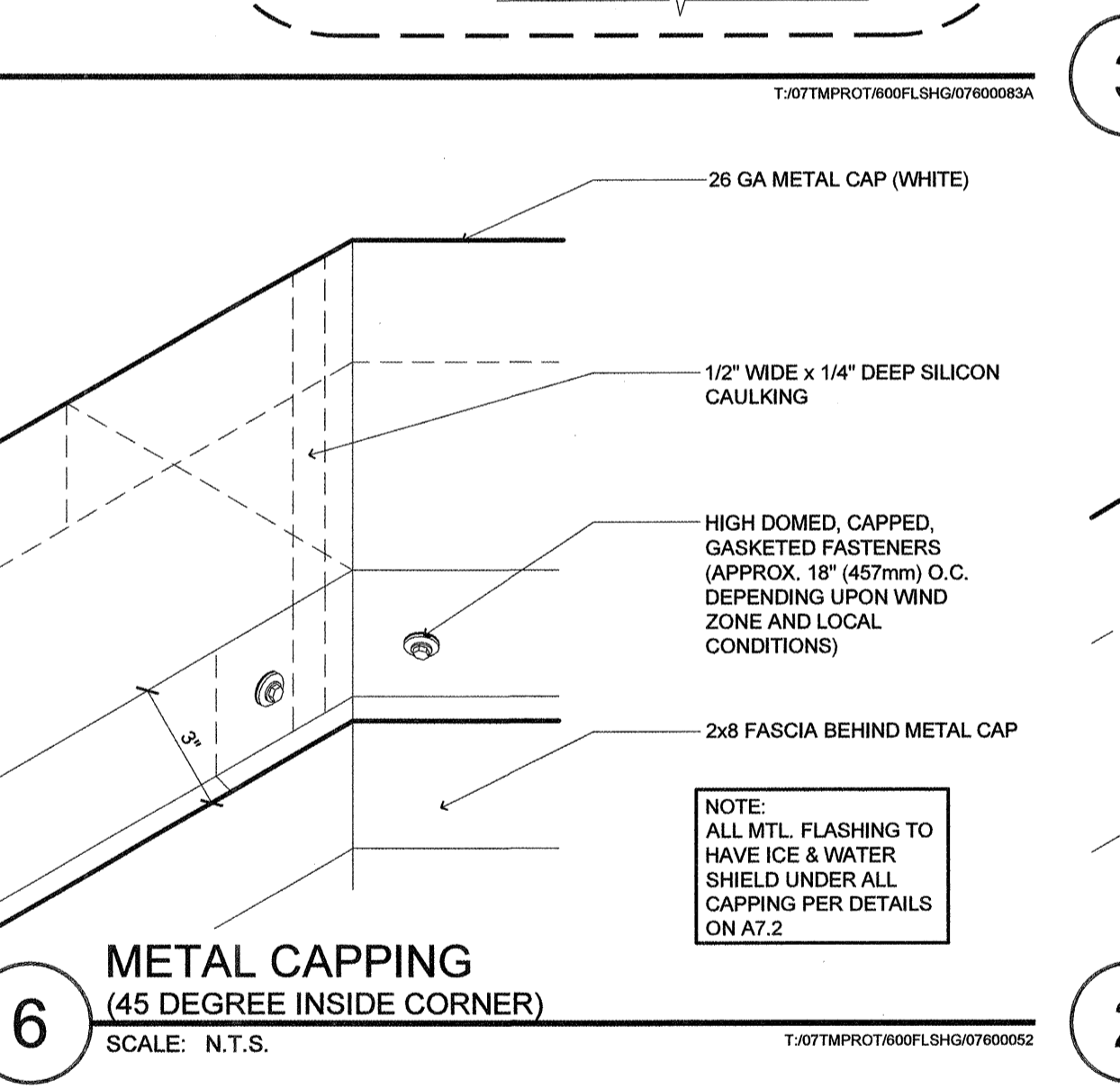
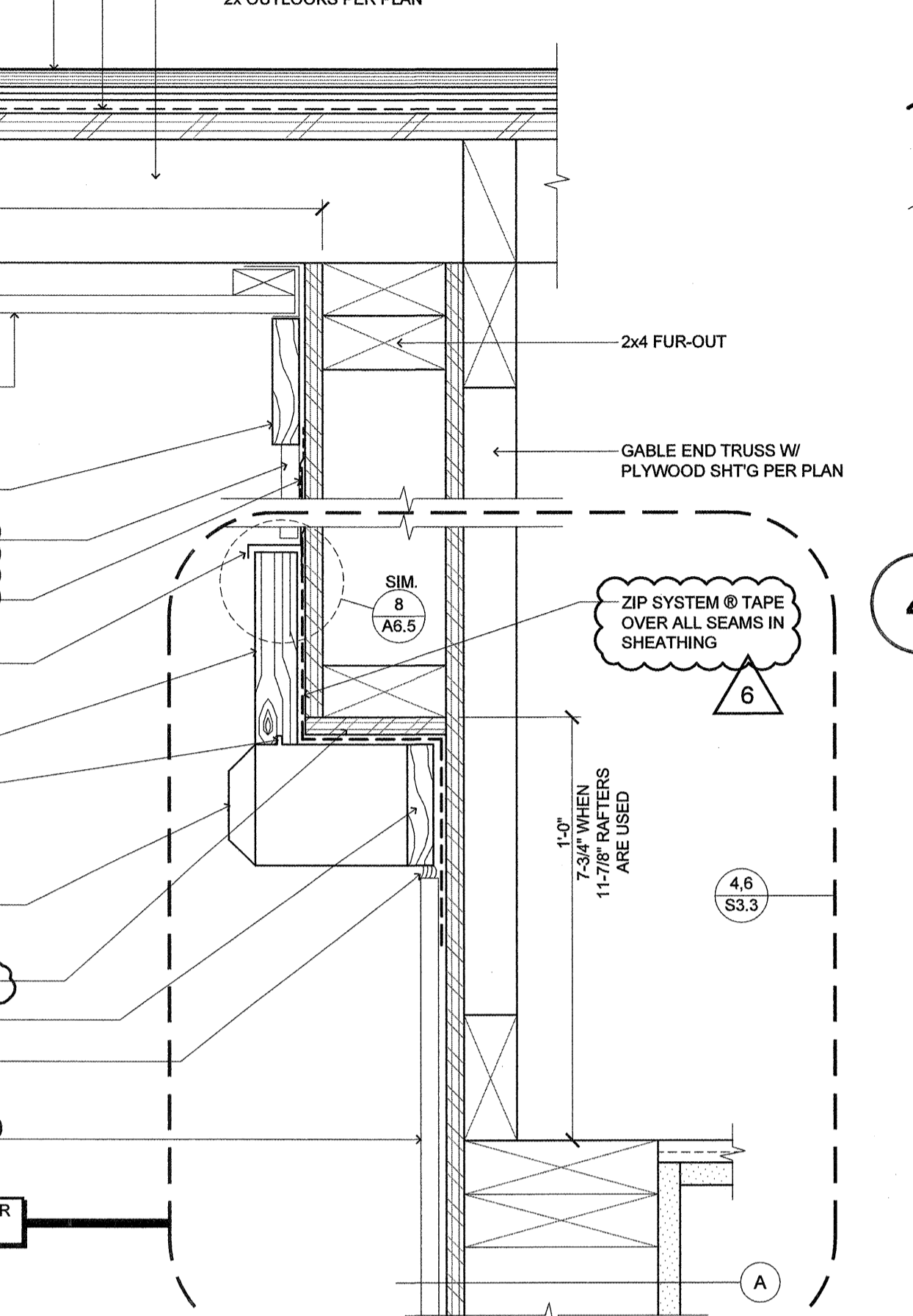
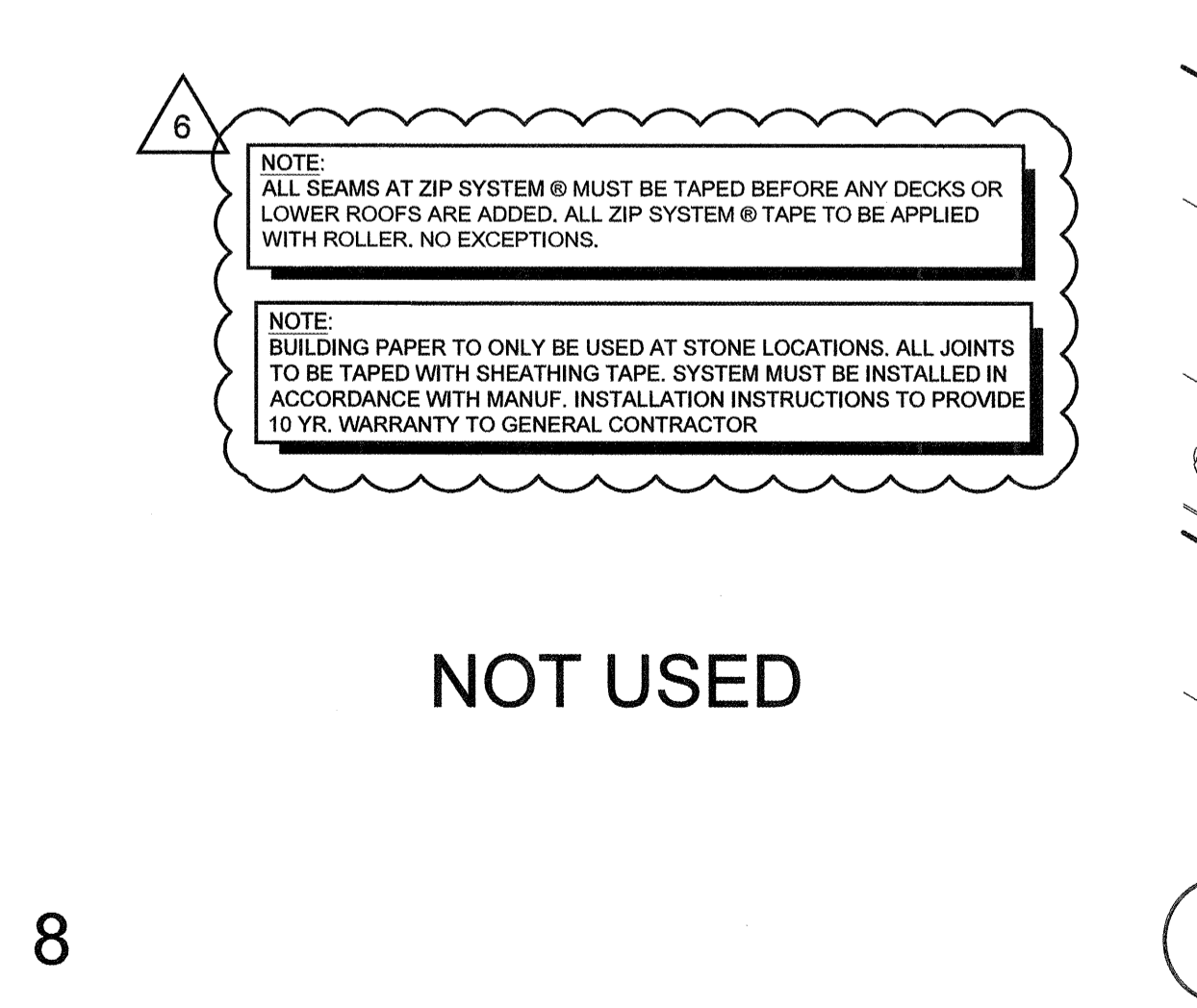
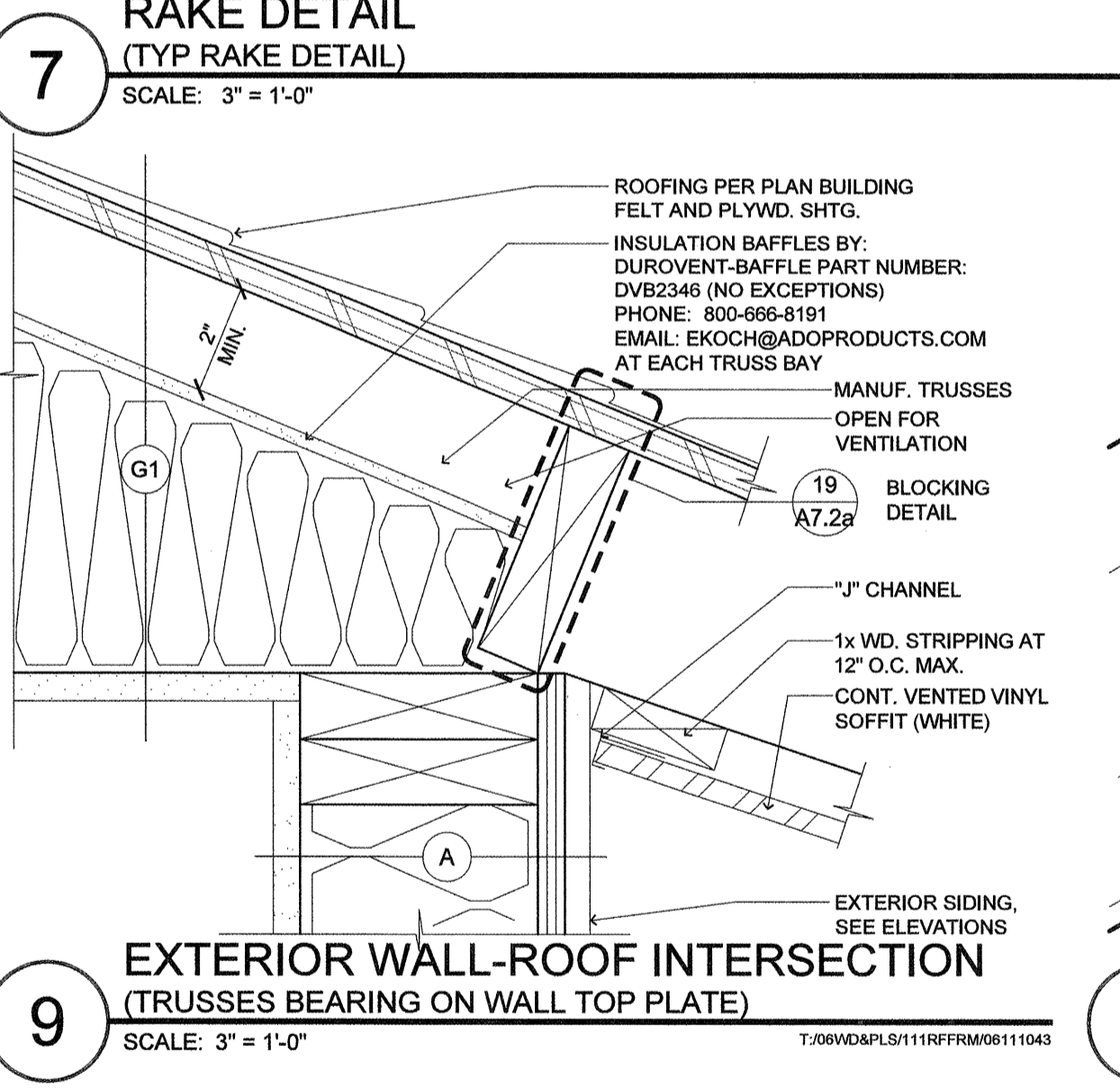
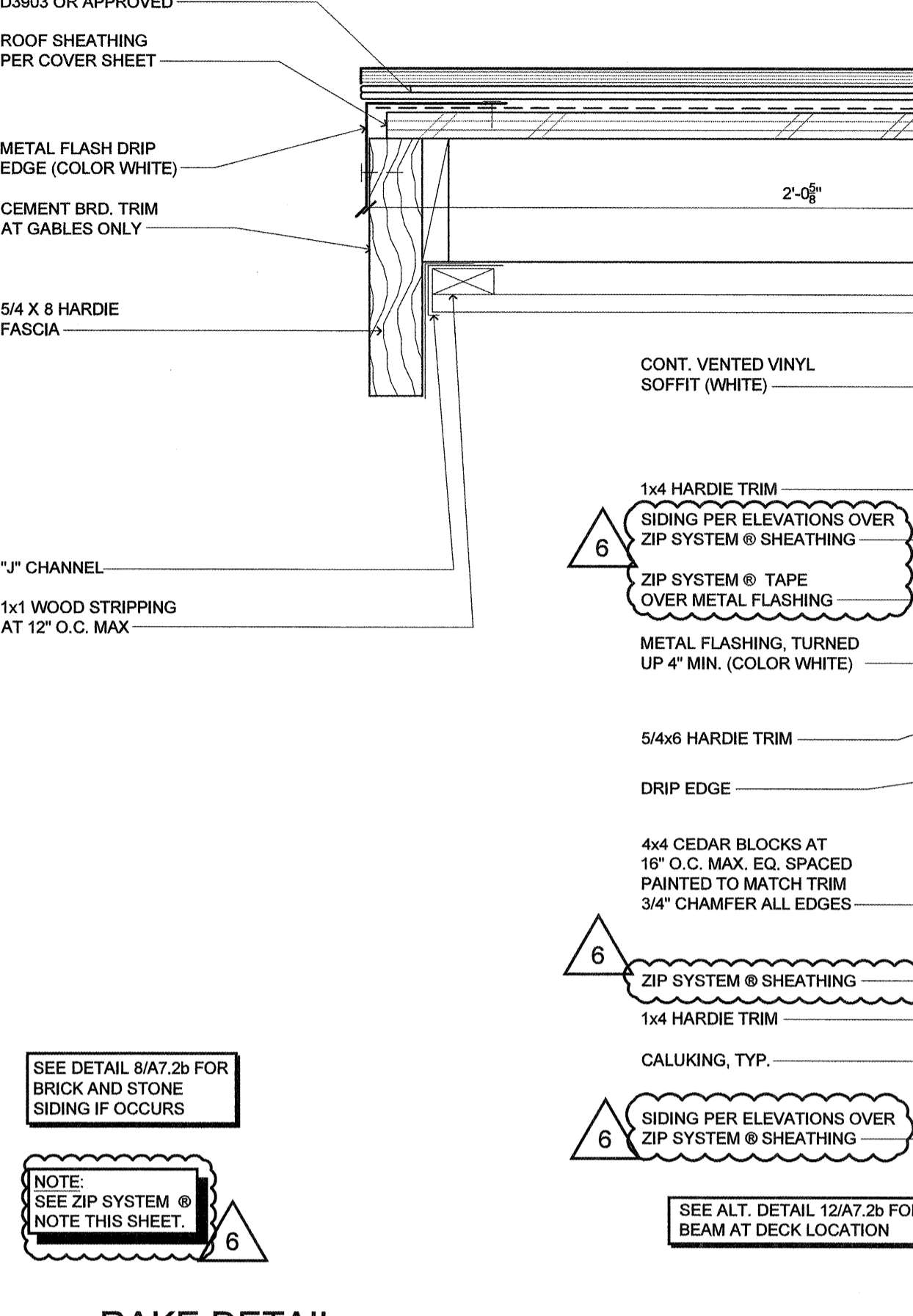
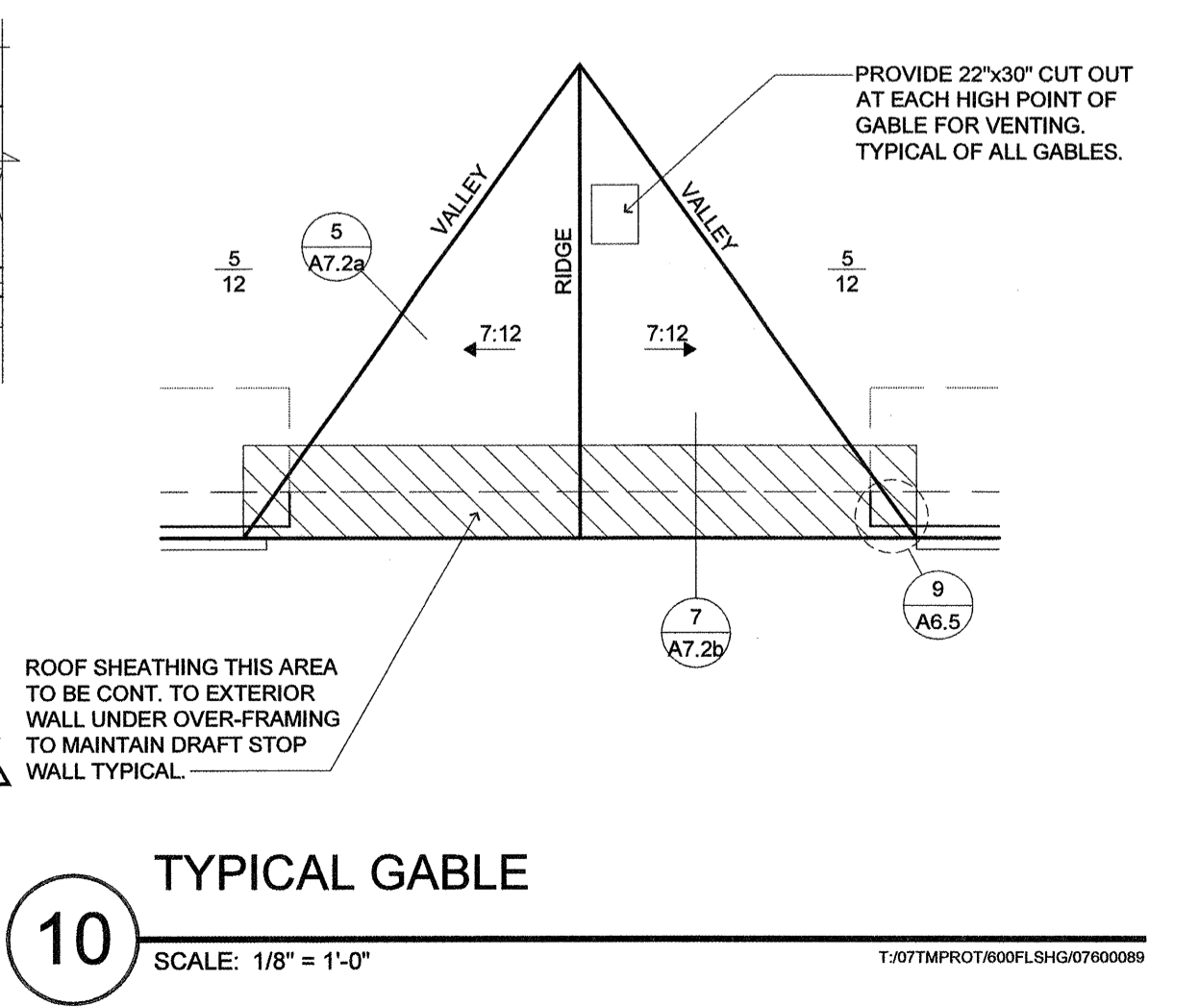
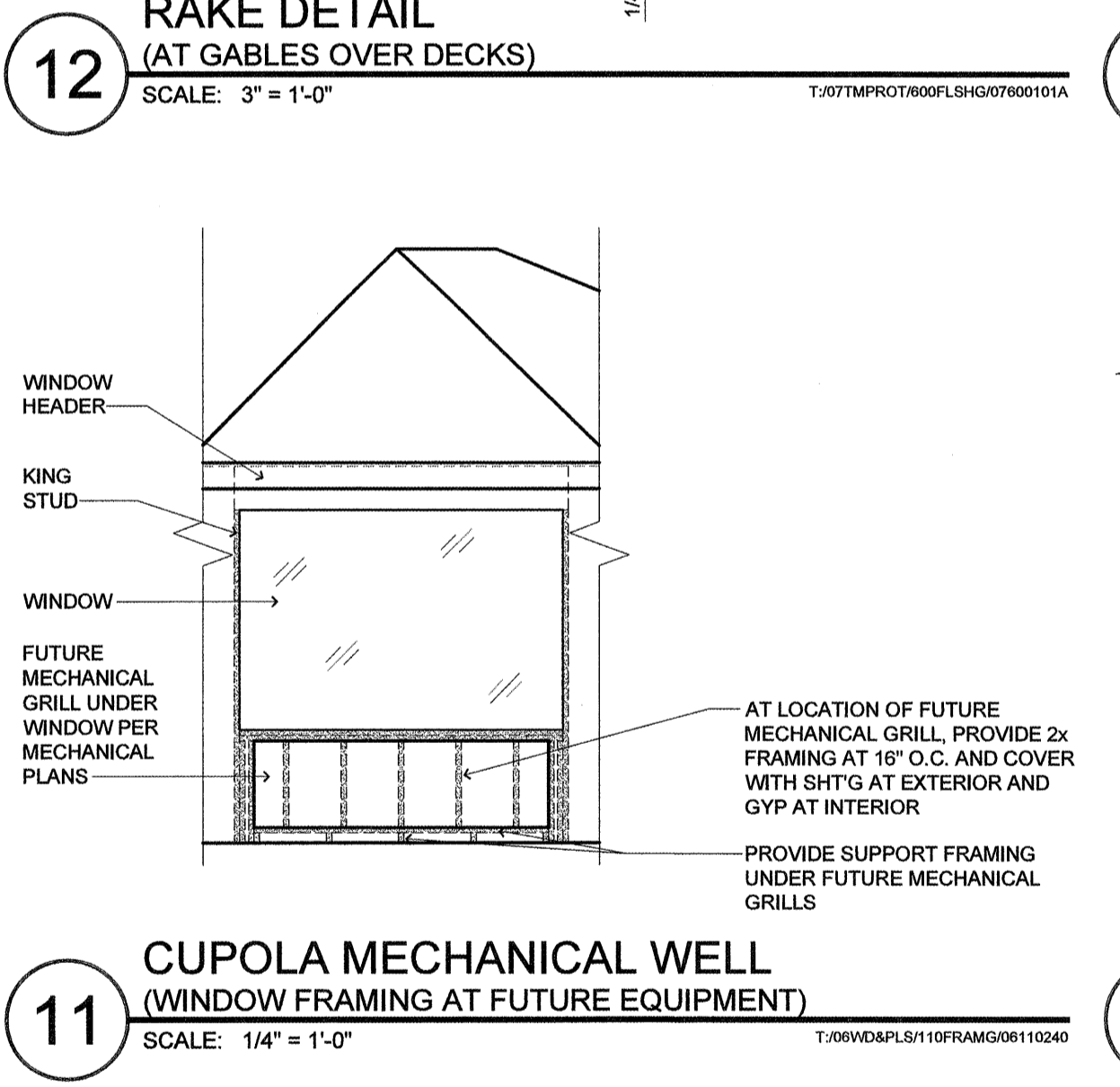
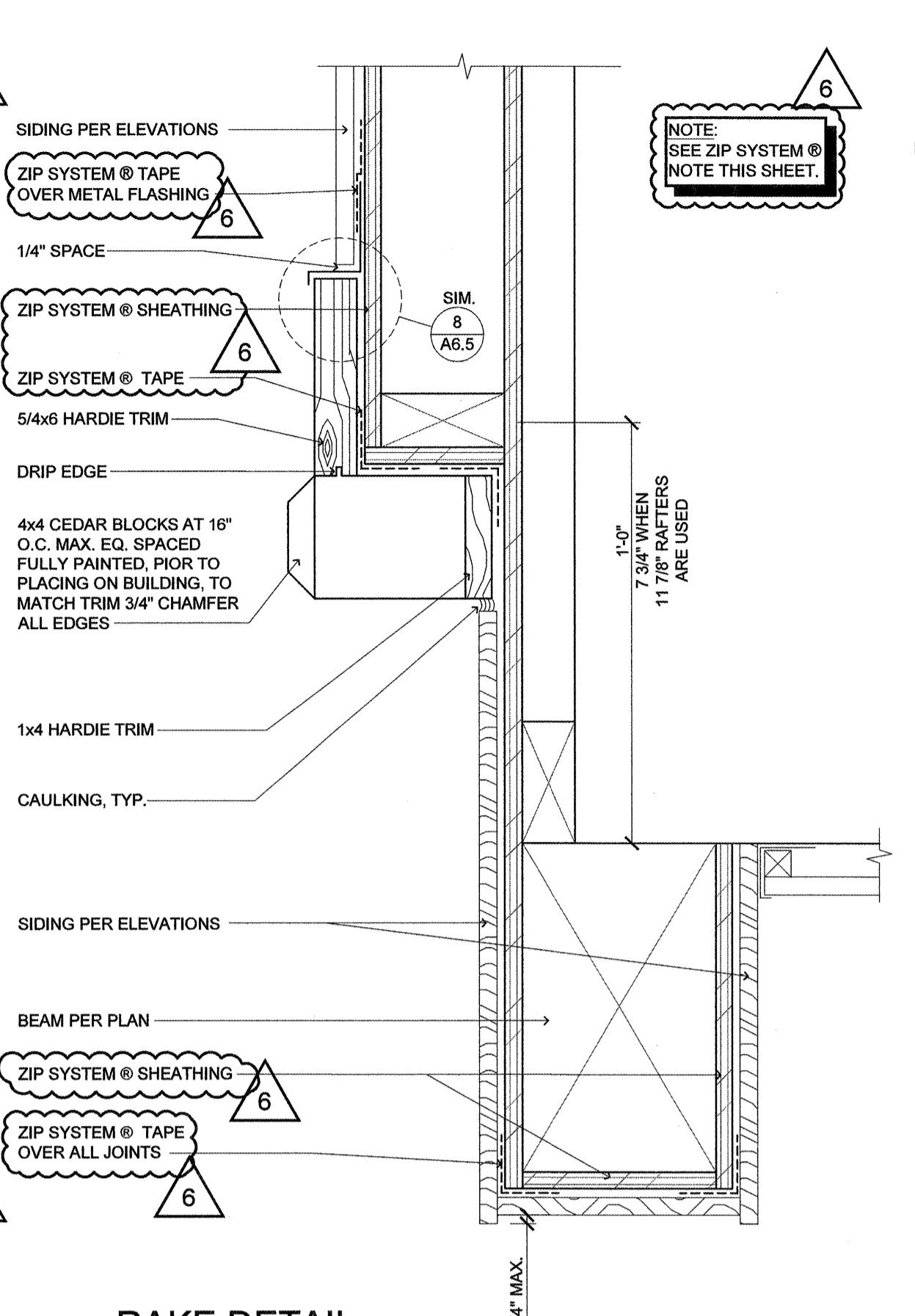
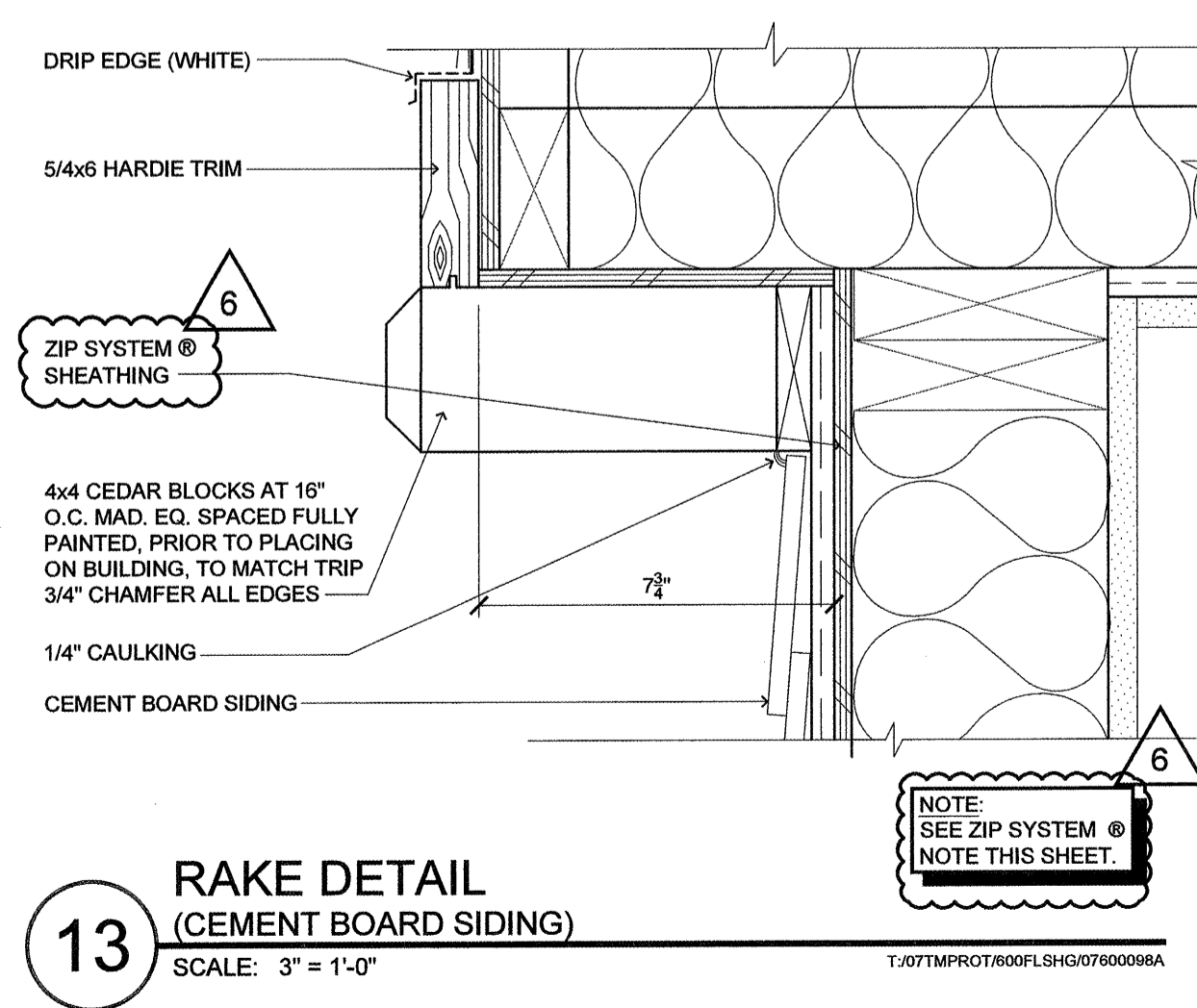
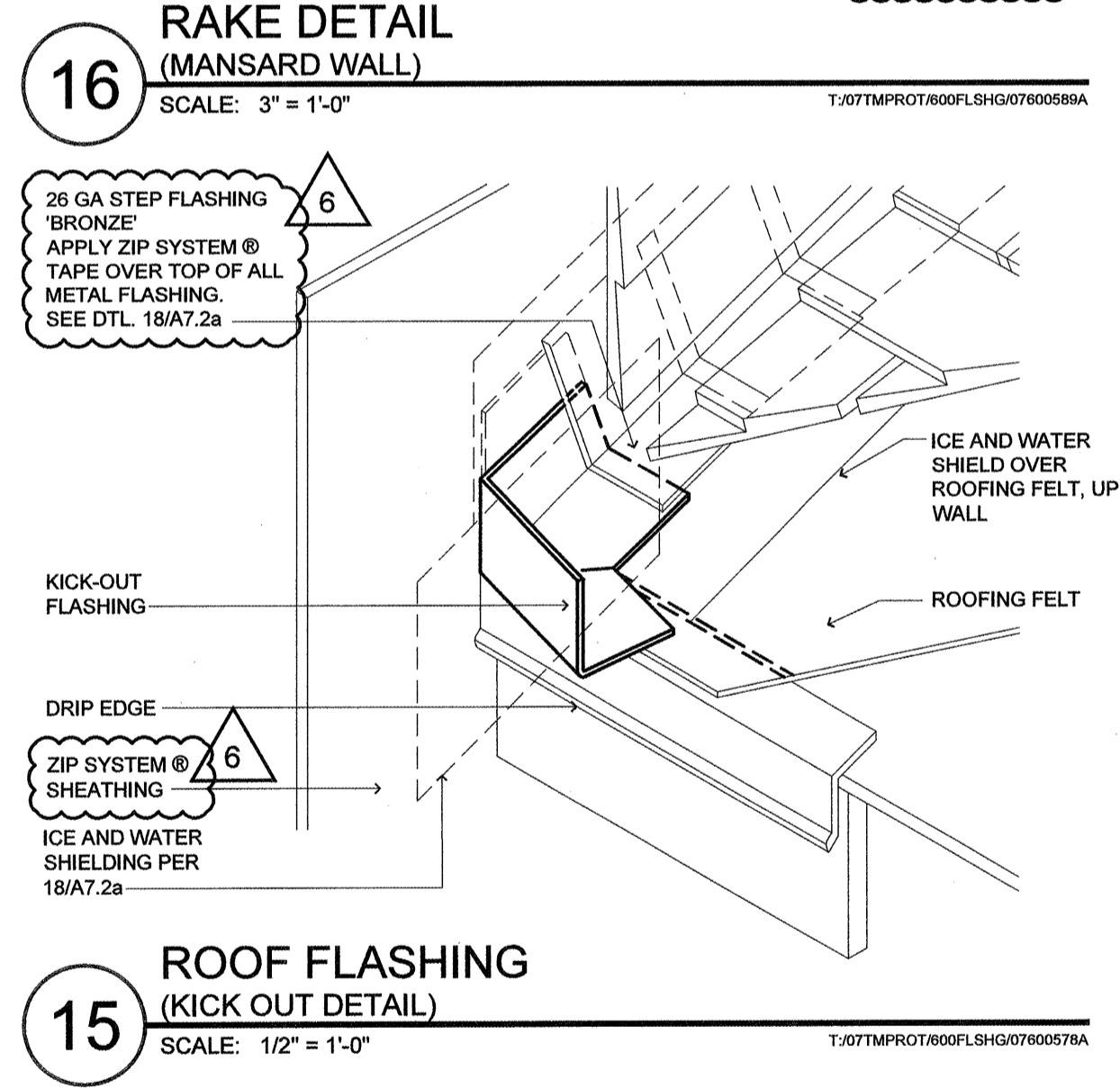
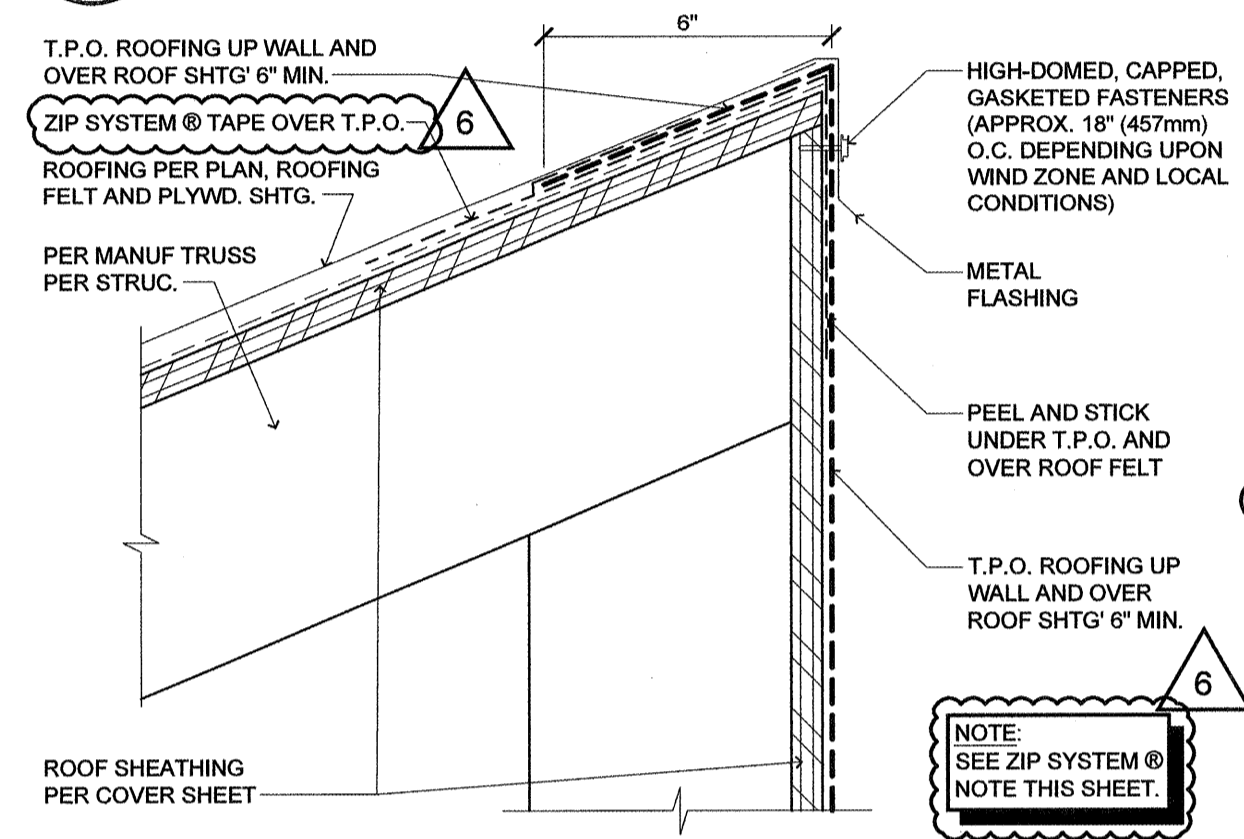
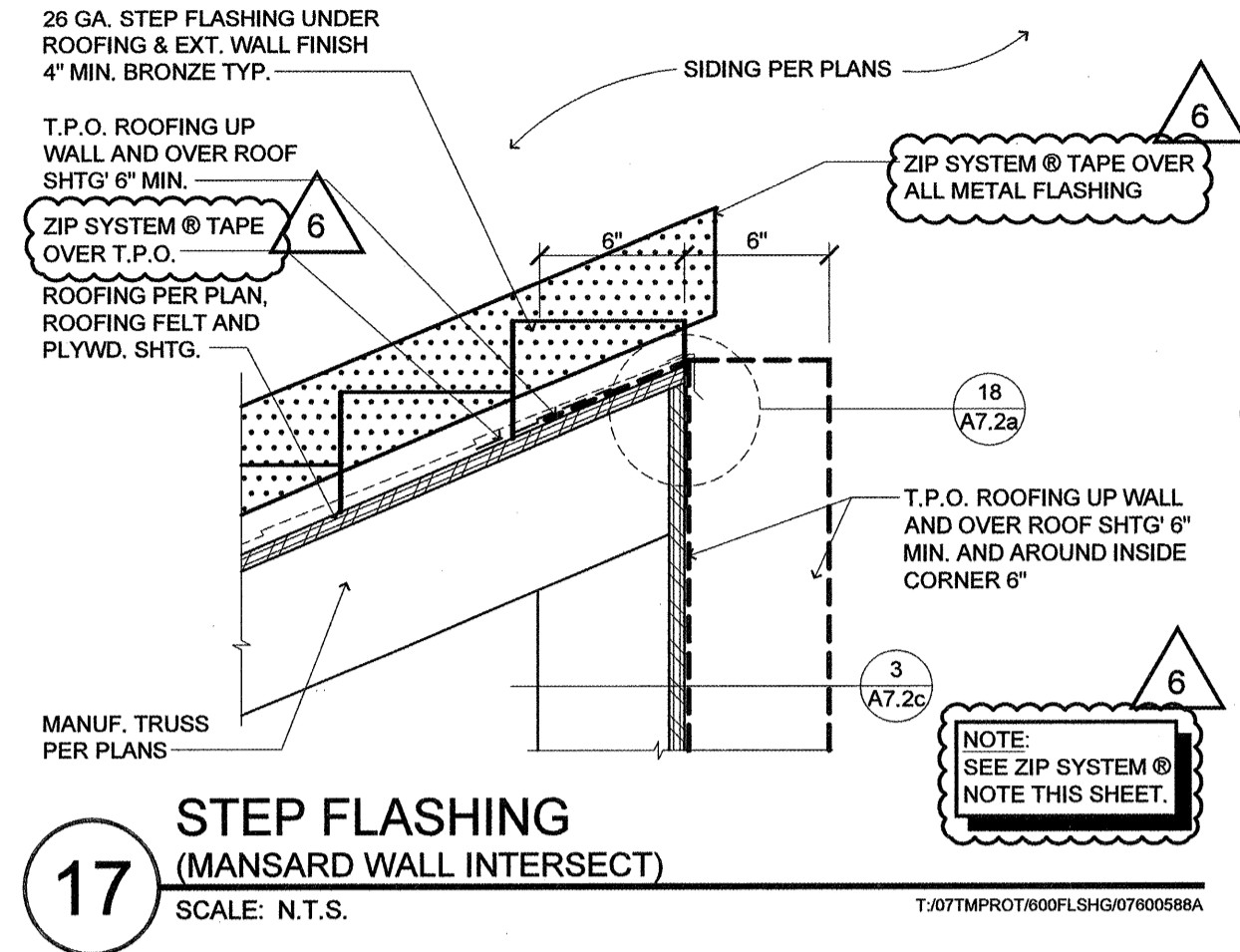
ROOF DETAILS

DATE
8/28/2015

REVISED DATE

SHEET
A7.2b

DETAIL 14 NOT USED



8/28/2015 11:20 AM Medium_Plan_A7.2b.dwg - 8/28/2015 11:20 AM Medium_Plan_A7.2b.dwg - 8/28/2015 11:20 AM Medium_Plan_A7.2b.dwg