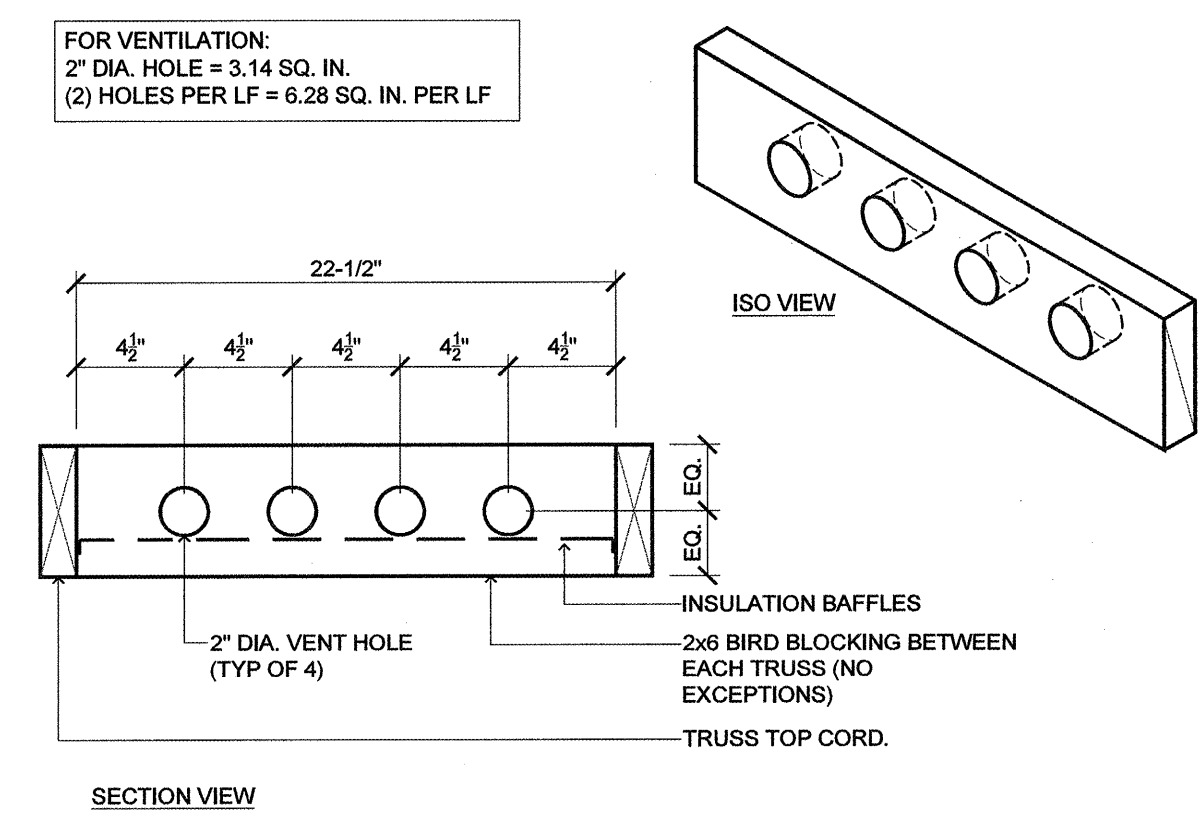
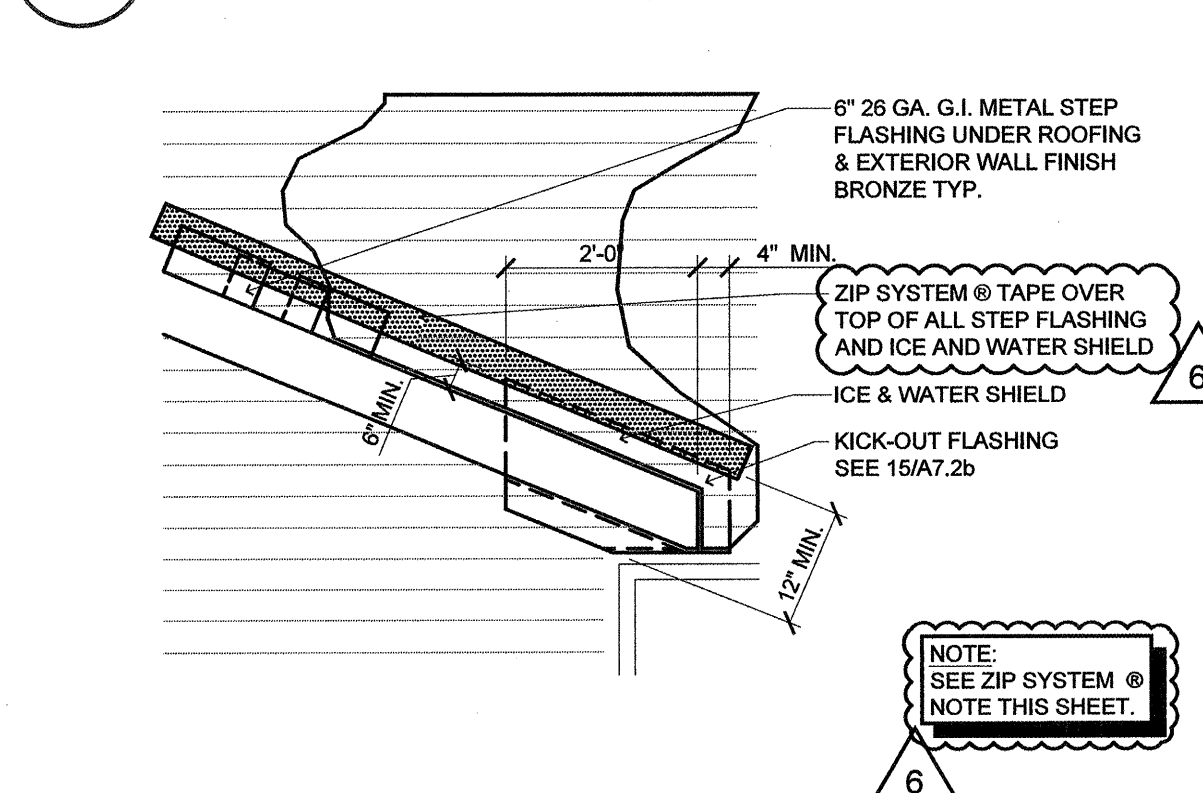


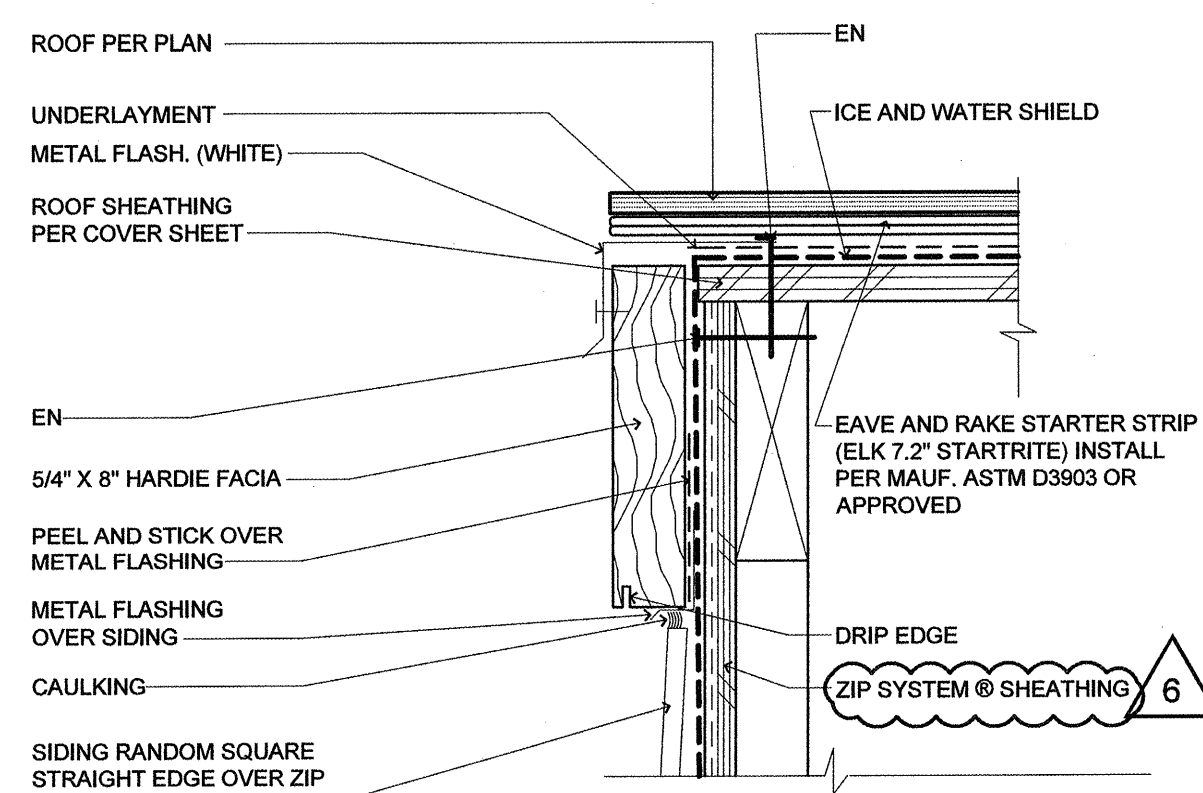
**20 INSUL. BAFFLE (AT DECK AND OVERHANGS GREATER THAN 24")**  
SCALE: 3/4" = 1'-0"



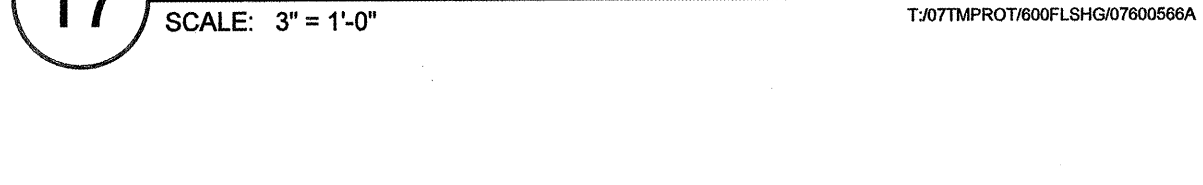
**15 DECK DRAIN (DECK DETAIL)**  
SCALE: 3" = 1'-0"



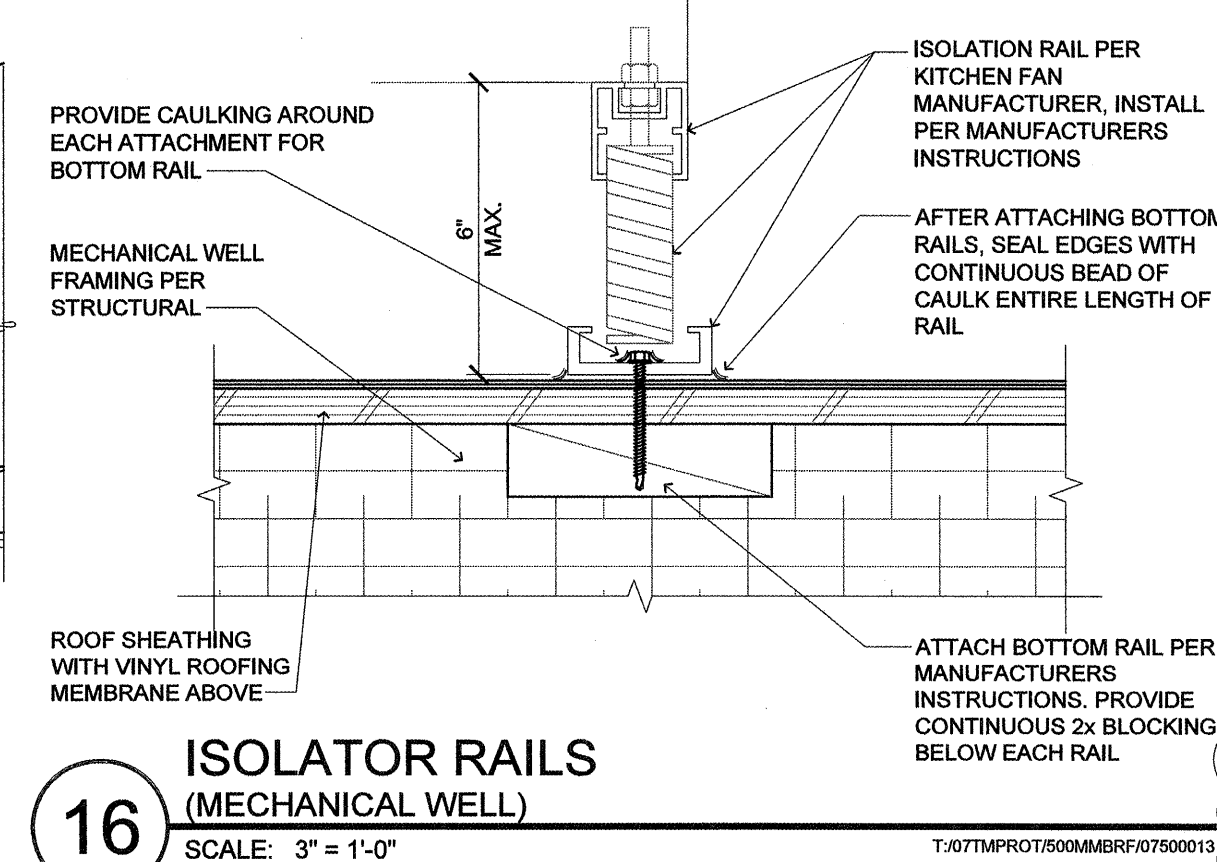
**19 EXTERIOR EAVE BLOCKING (TRUSSES BEARING ON WALL TOP PLATE)**  
SCALE: 1-1/2" = 1'-0"



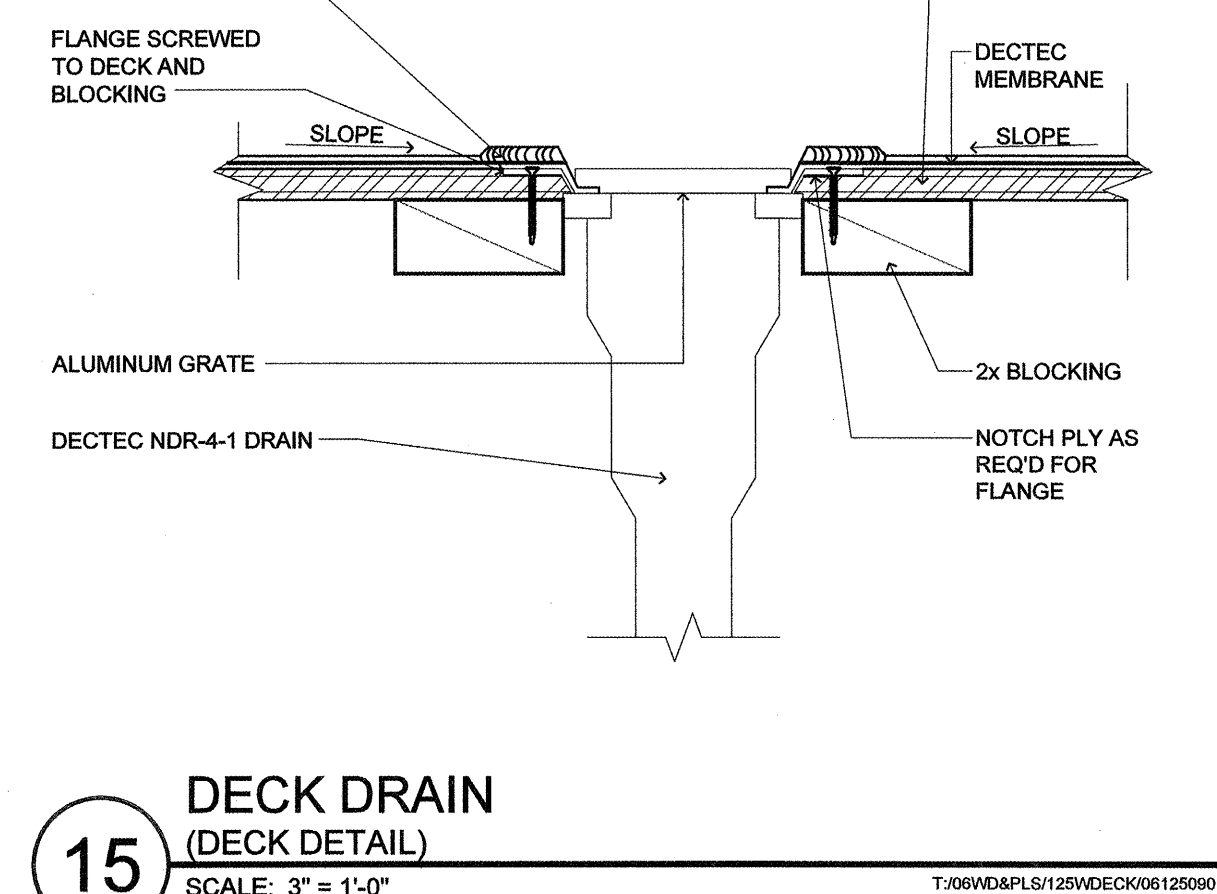
**18 ROOF FLASHING**  
SCALE: 1/2" = 1'-0"



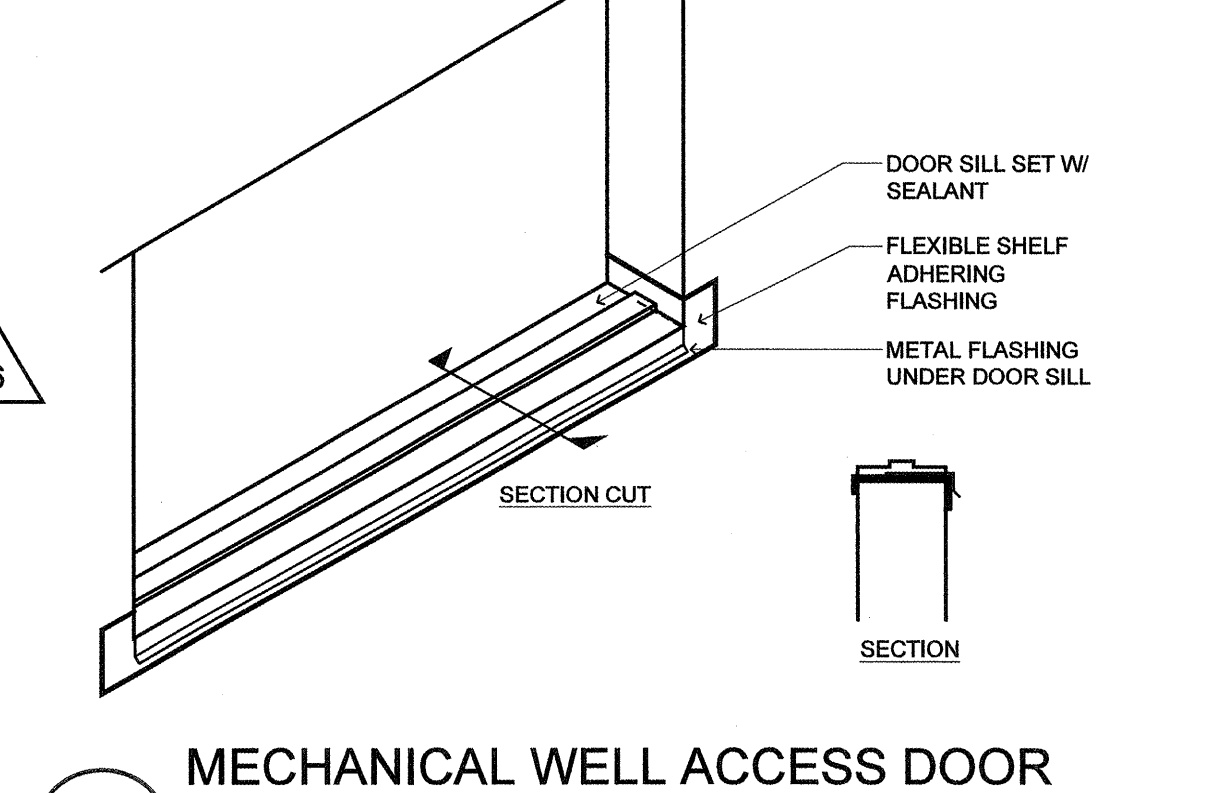
**17 RAKE DETAIL (AT PARAPET WALL)**  
SCALE: 3" = 1'-0"



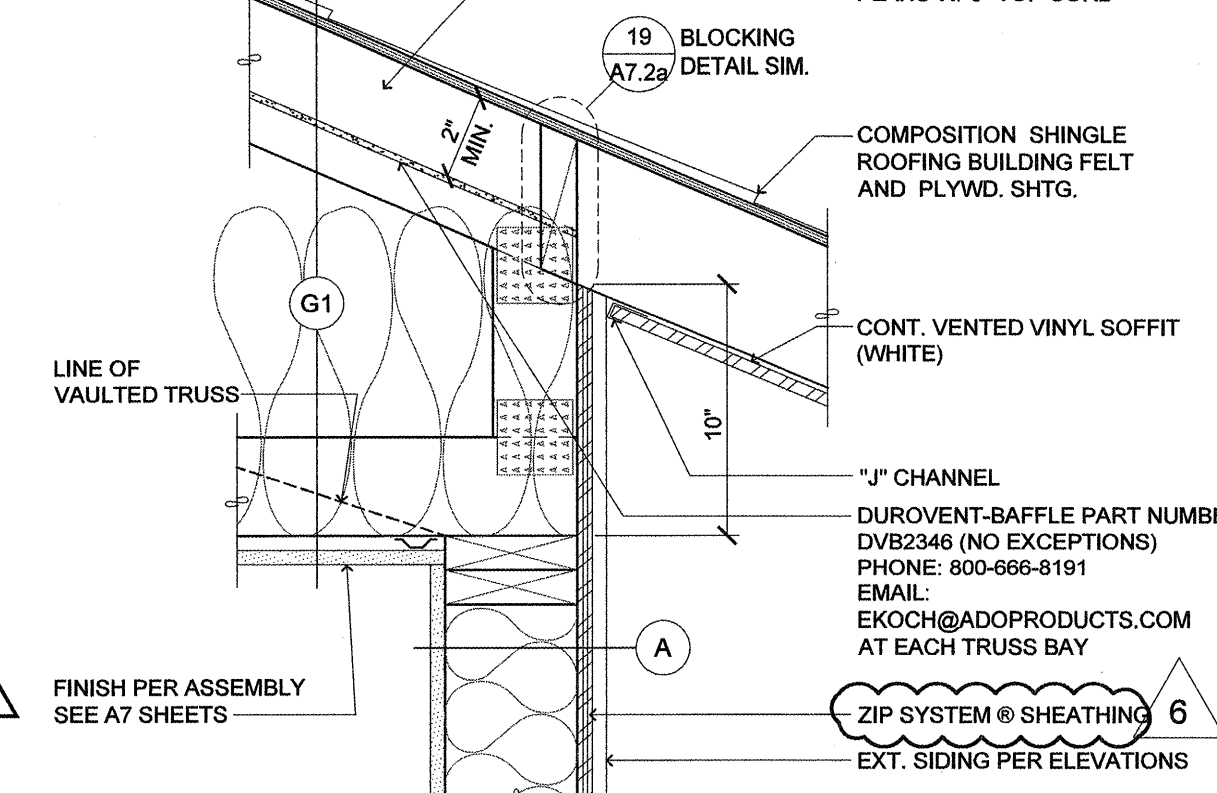
**16 ISOLATOR RAILS (MECHANICAL WELL)**  
SCALE: 3" = 1'-0"



**11 STEP FLASHING (DORMER WALL INTERSECT)**  
SCALE: N.T.S.



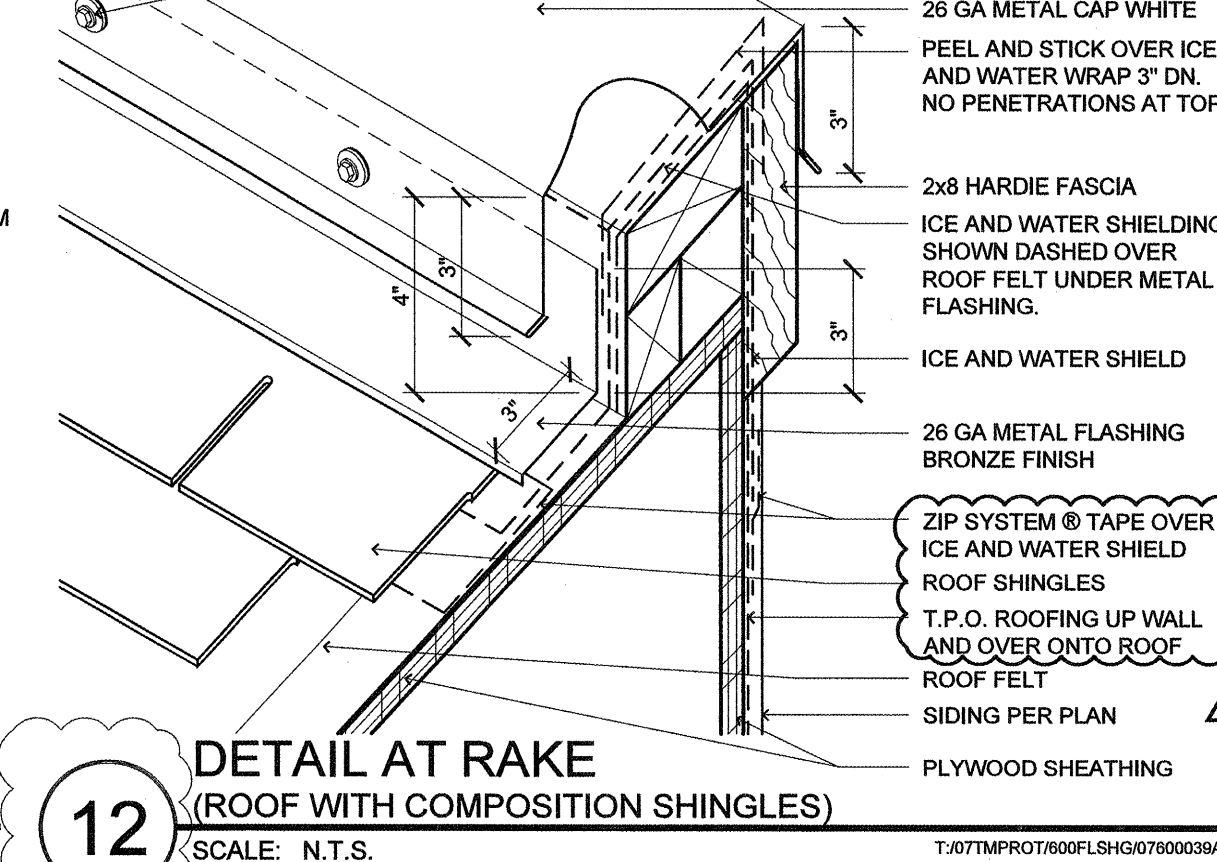
**14 MECHANICAL WELL ACCESS DOOR (SILL DETAIL)**  
SCALE: 1" = 1'-0"



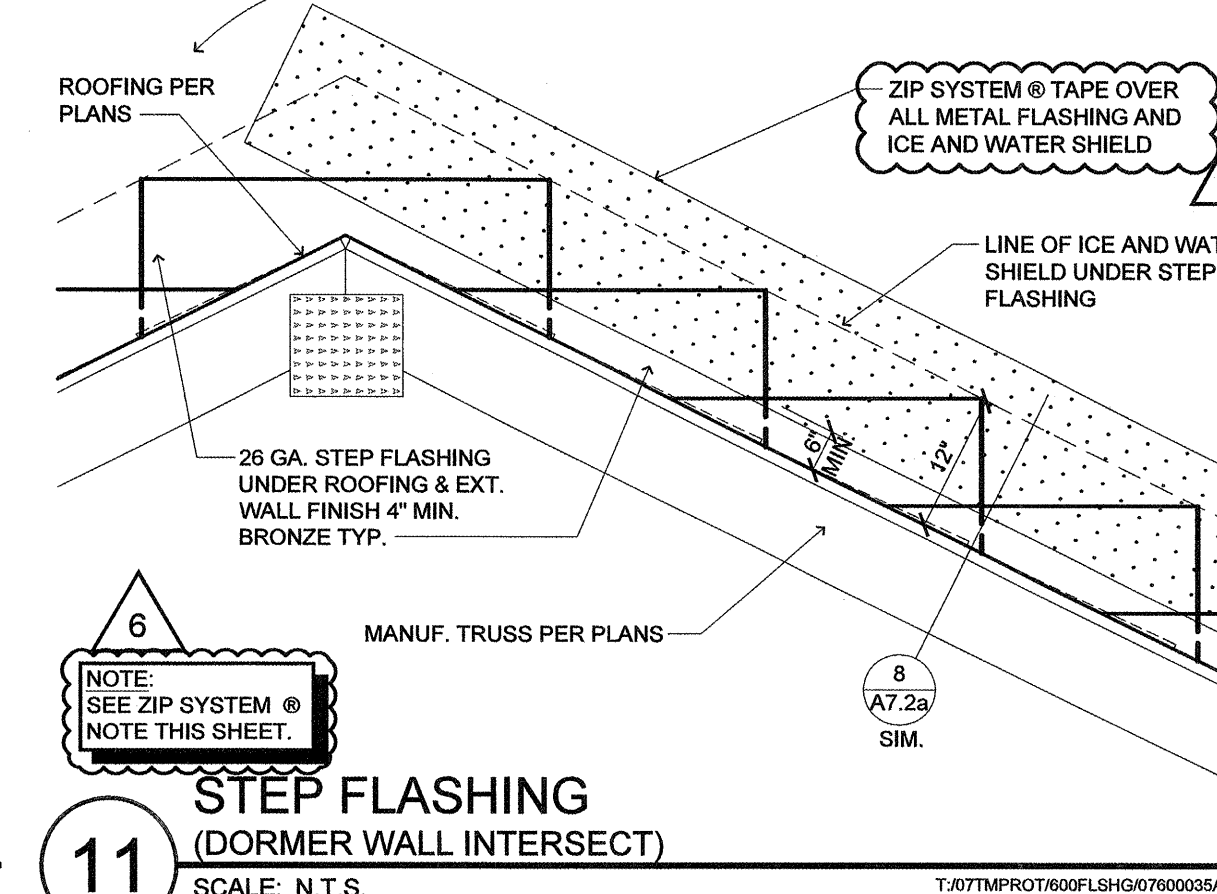
**13 EXTERIOR WALL-ROOF INTERSECTION (HIGH HEEL TRUSS)**  
SCALE: N.T.S.



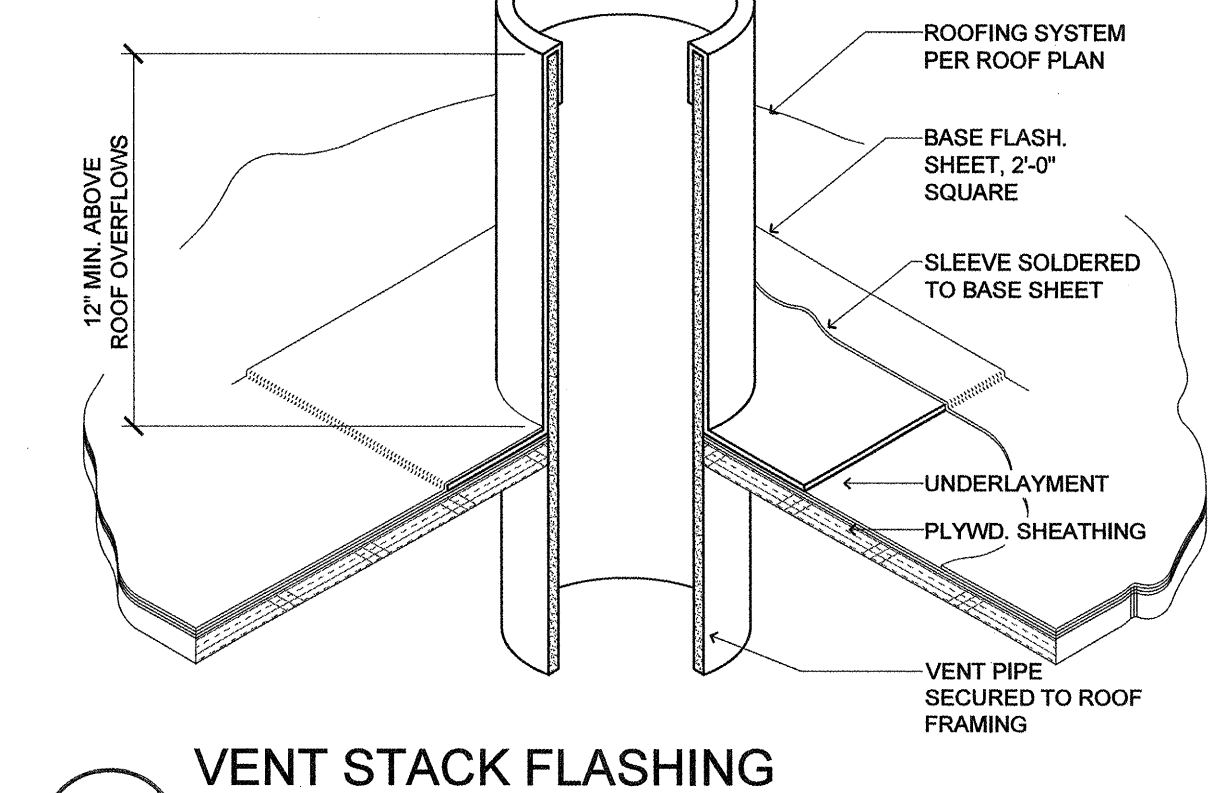
**12 DETAIL AT RAKE (ROOF WITH COMPOSITION SHINGLES)**  
SCALE: N.T.S.



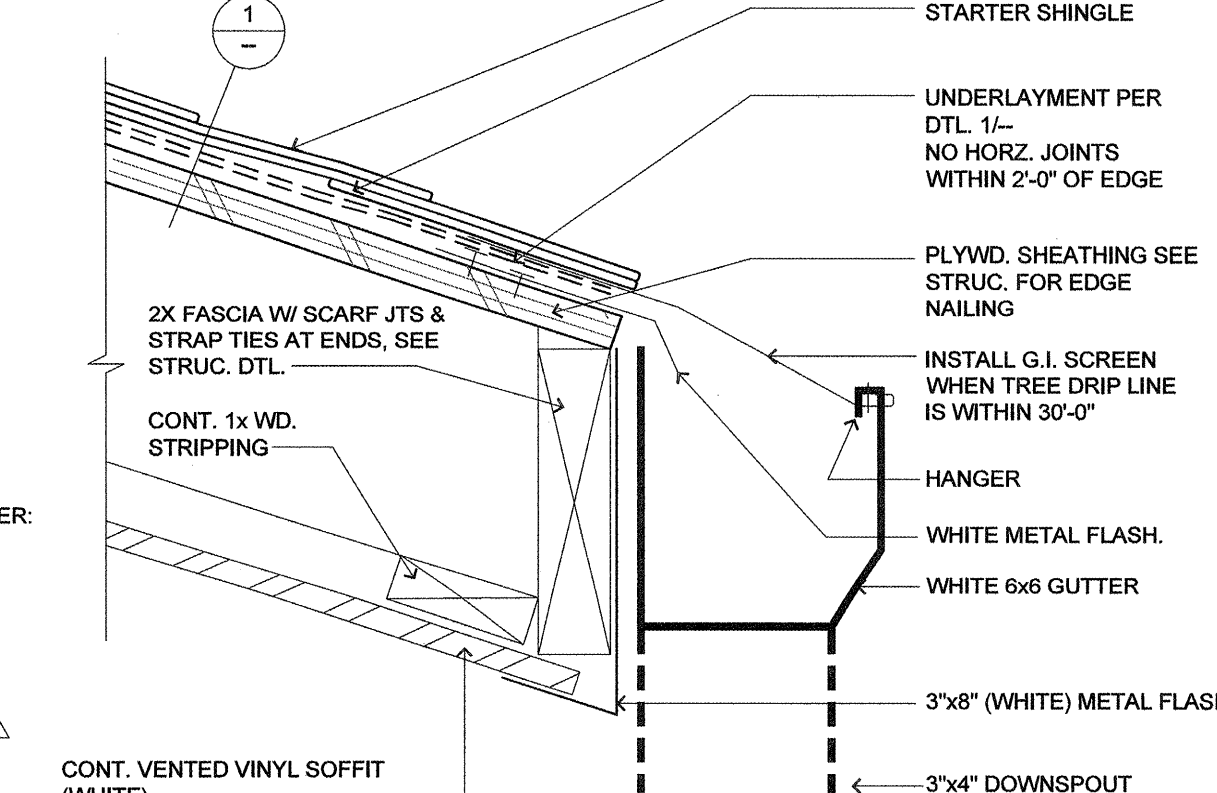
**8 ROOF AT WALL - SLOPED ROOF (COMPOSITION SHINGLES)**  
SCALE: N.T.S.



**7 NOT USED**



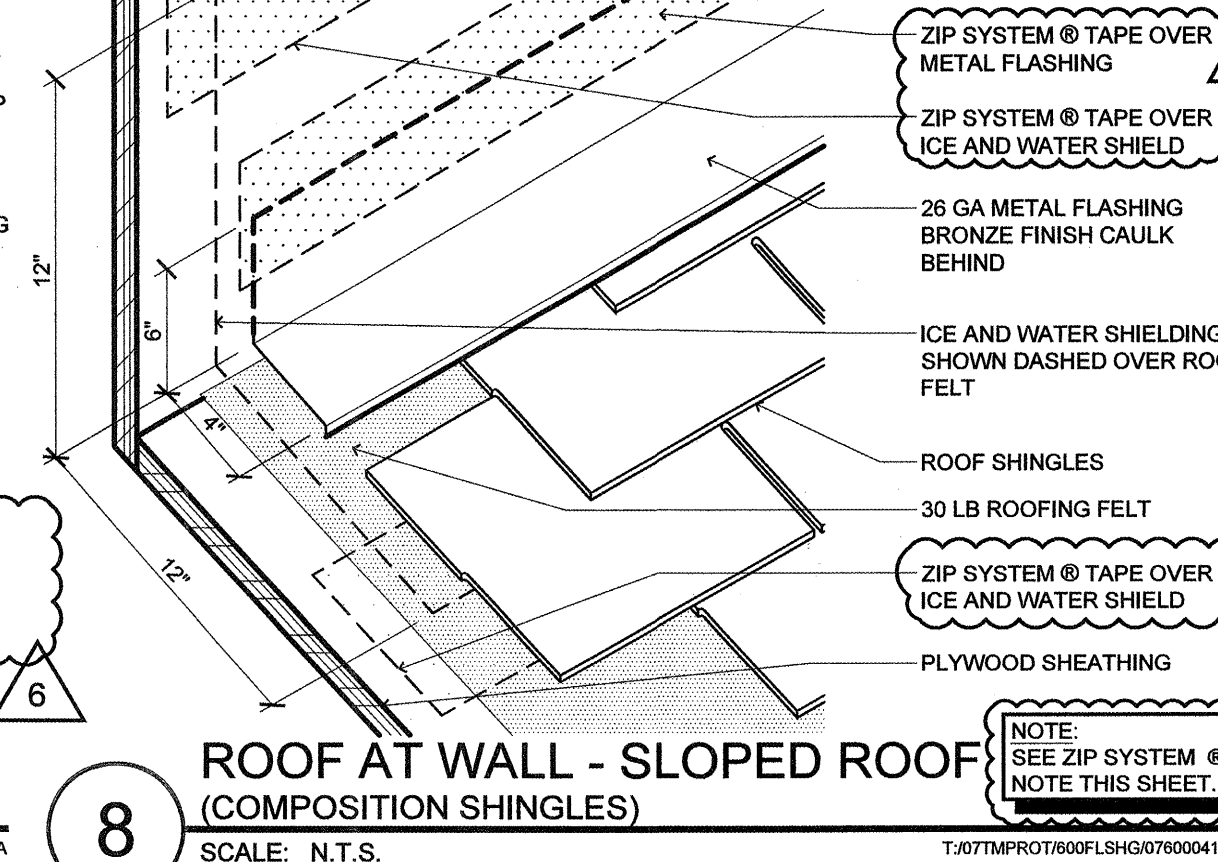
**10 VENT STACK FLASHING**  
SCALE: N.T.S.



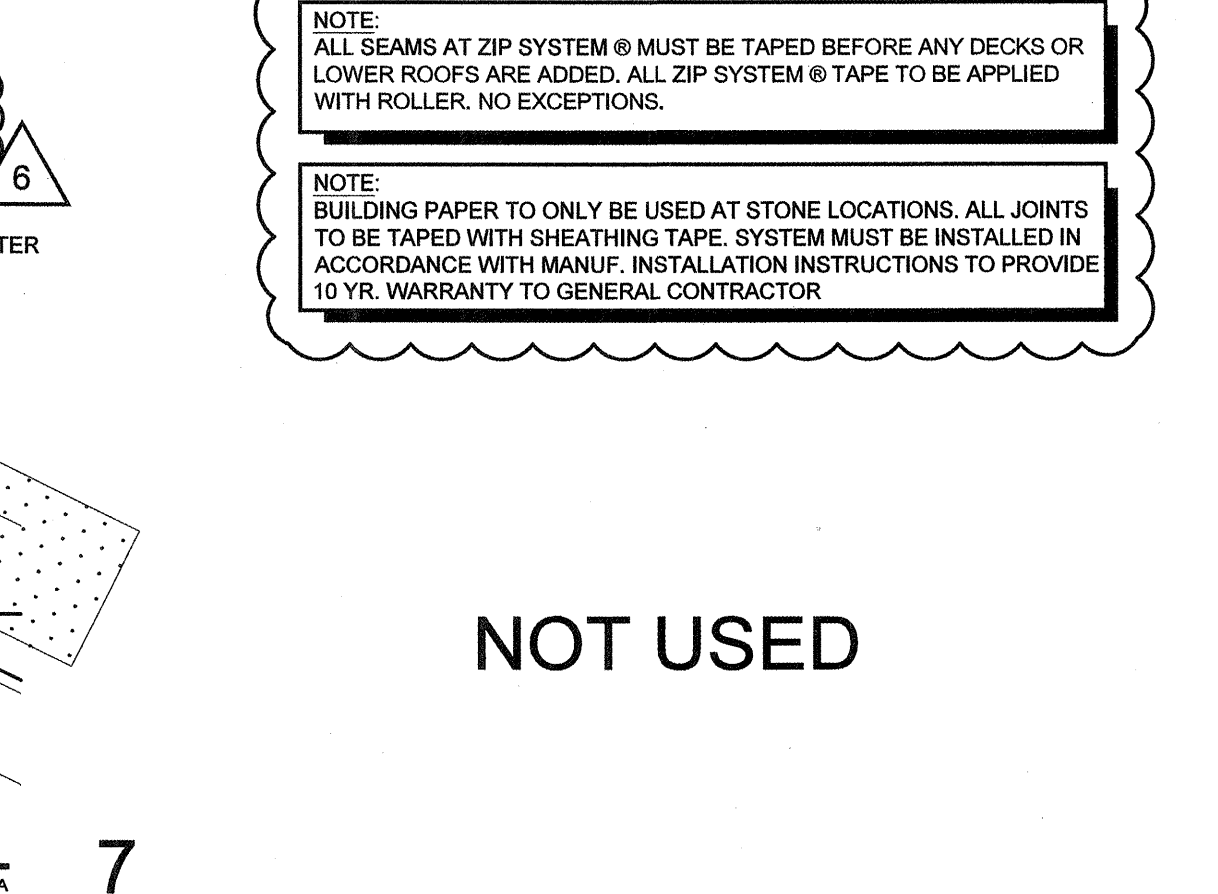
**9 EAVE GUTTER ASSEMBLY (ROOF WITH COMPOSITION SHINGLES)**  
SCALE: 3" = 1'-0"



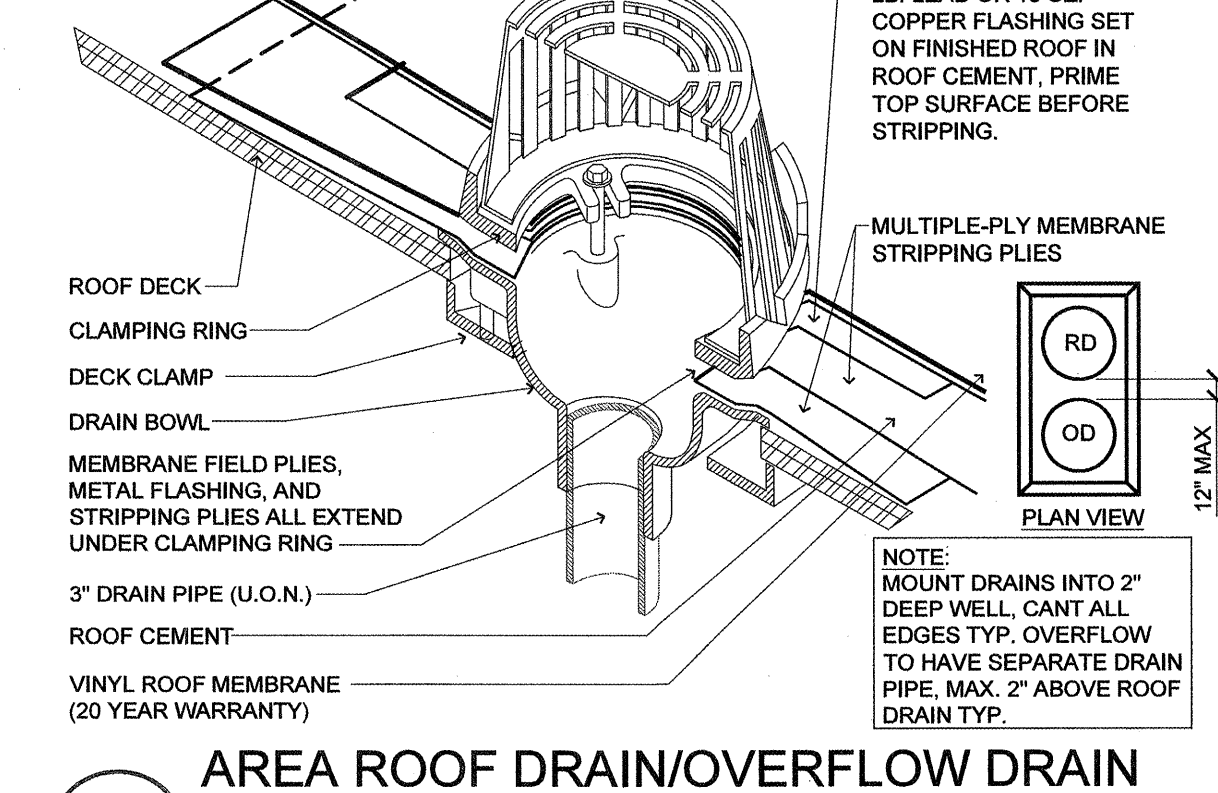
**5 WOVEN VALLEY (COMPOSITION SHINGLES)**  
SCALE: 3" = 1'-0"



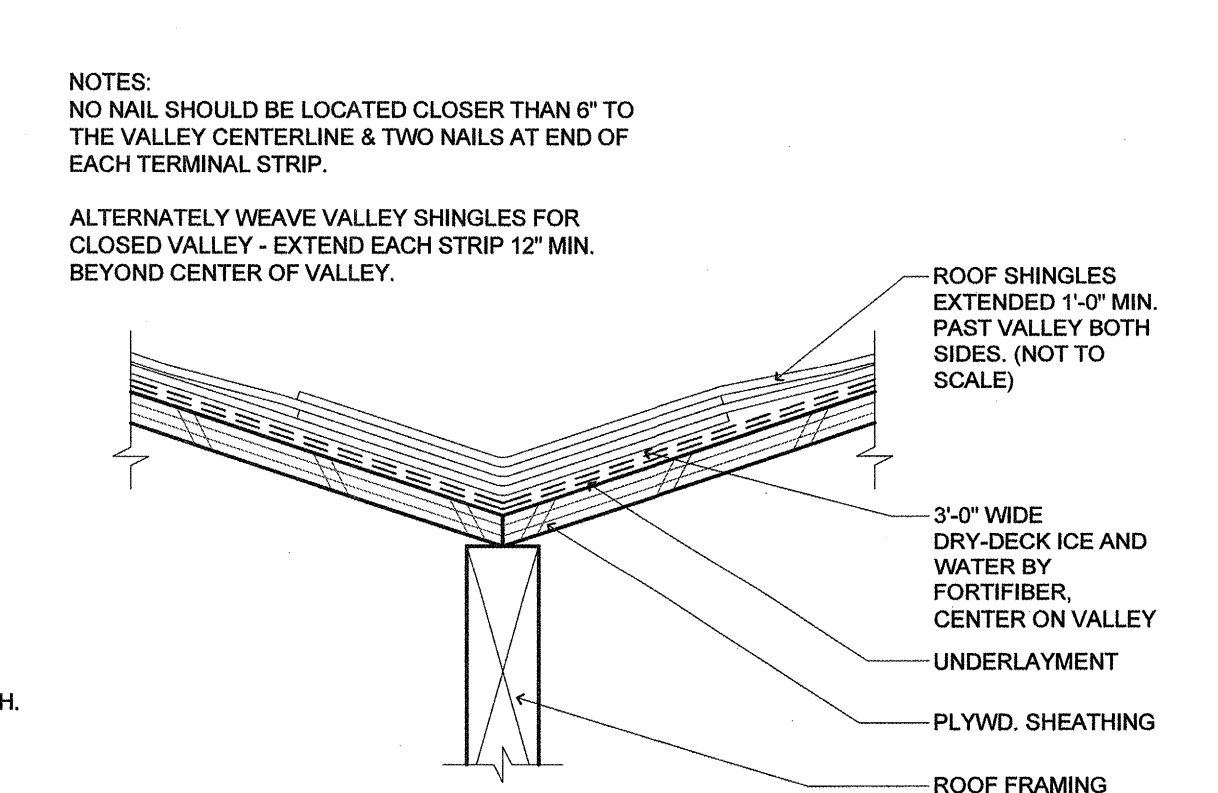
**4 SADDLE FLASHING**  
SCALE: N.T.S.



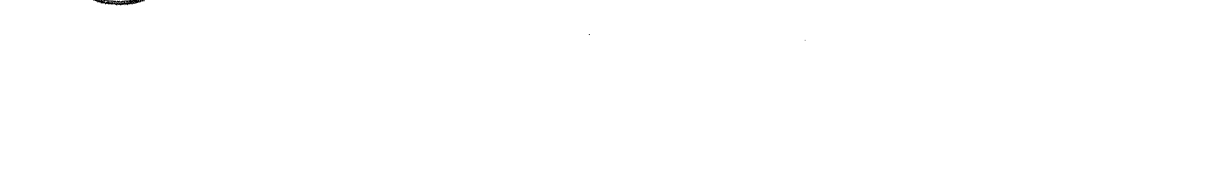
**3 DORMER FLASHING (COMPOSITION SHINGLES)**  
SCALE: N.T.S.



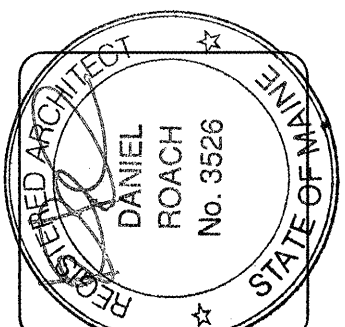
**6 AREA ROOF DRAIN/OVERFLOW DRAIN (BUILT-UP ROOFING)**  
SCALE: N.T.S.



**2 CANT STRIP (BUILT-UP ROOFING)**  
SCALE: 3" = 1'-0"



**1 ROOF UNDERLAYMENT (ASSEMBLY DETAIL)**  
SCALE: N.T.S.



**lenity architecture**  
1500 N. Main, Suite 200, Salem, Oregon 97302  
P: 503.399.1650 F: 503.399.6865  
www.lenityarchitecture.com

**COLSON AND COLSON**  
GENERAL CONTRACTOR, INC.  
2280 MCGILCHRIST STREET SE, SUITE 200  
SALEM, OREGON 97302  
PHONE (503) 586-7401

**PORTLAND RETIREMENT RESIDENCE**  
802 OCEAN AVE., PORTLAND, MAINE 04103

**ROOF DETAILS**

DATE: 8/28/2015  
REVISED DATE:  
SHEET: A7.2a