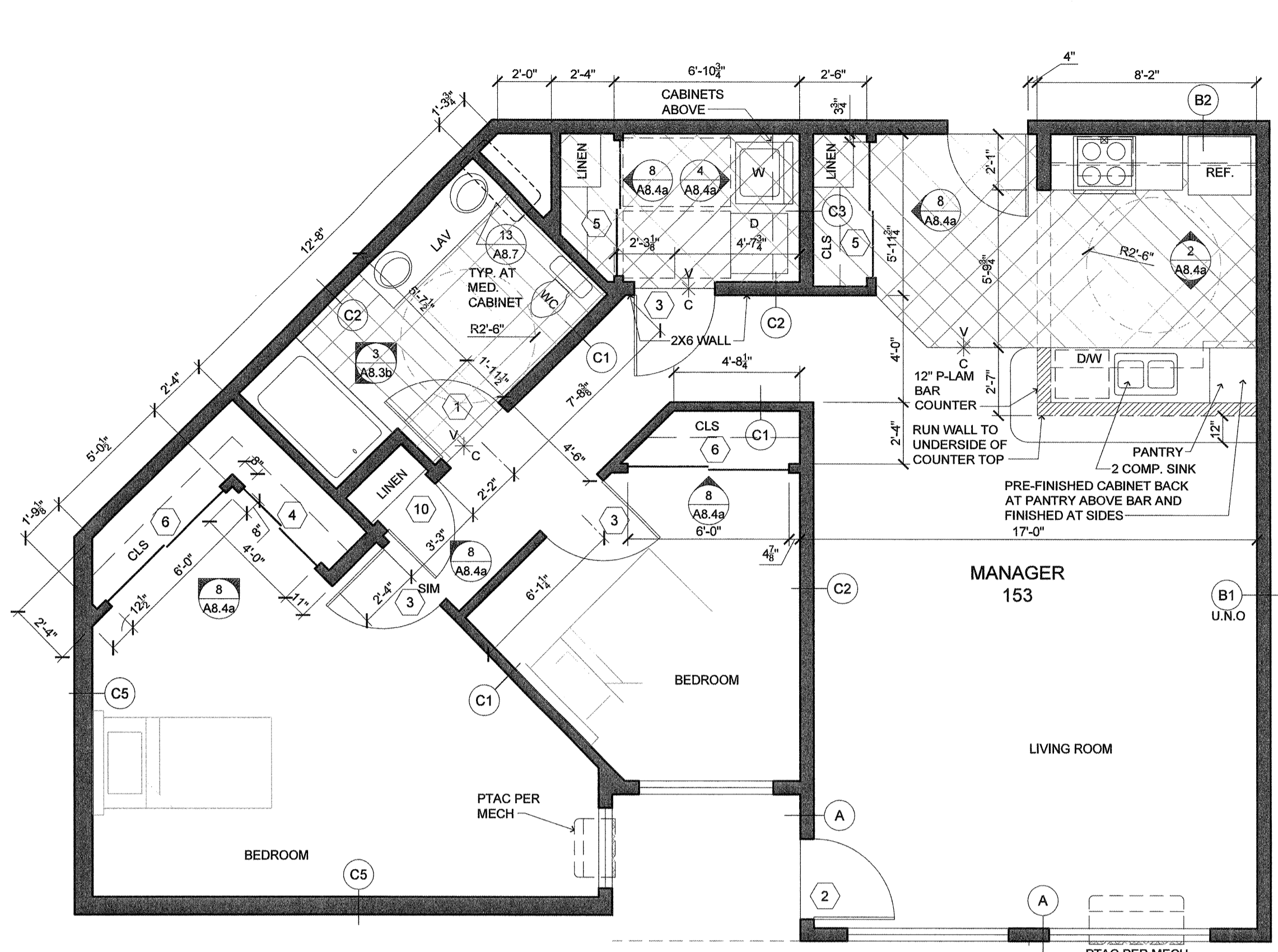
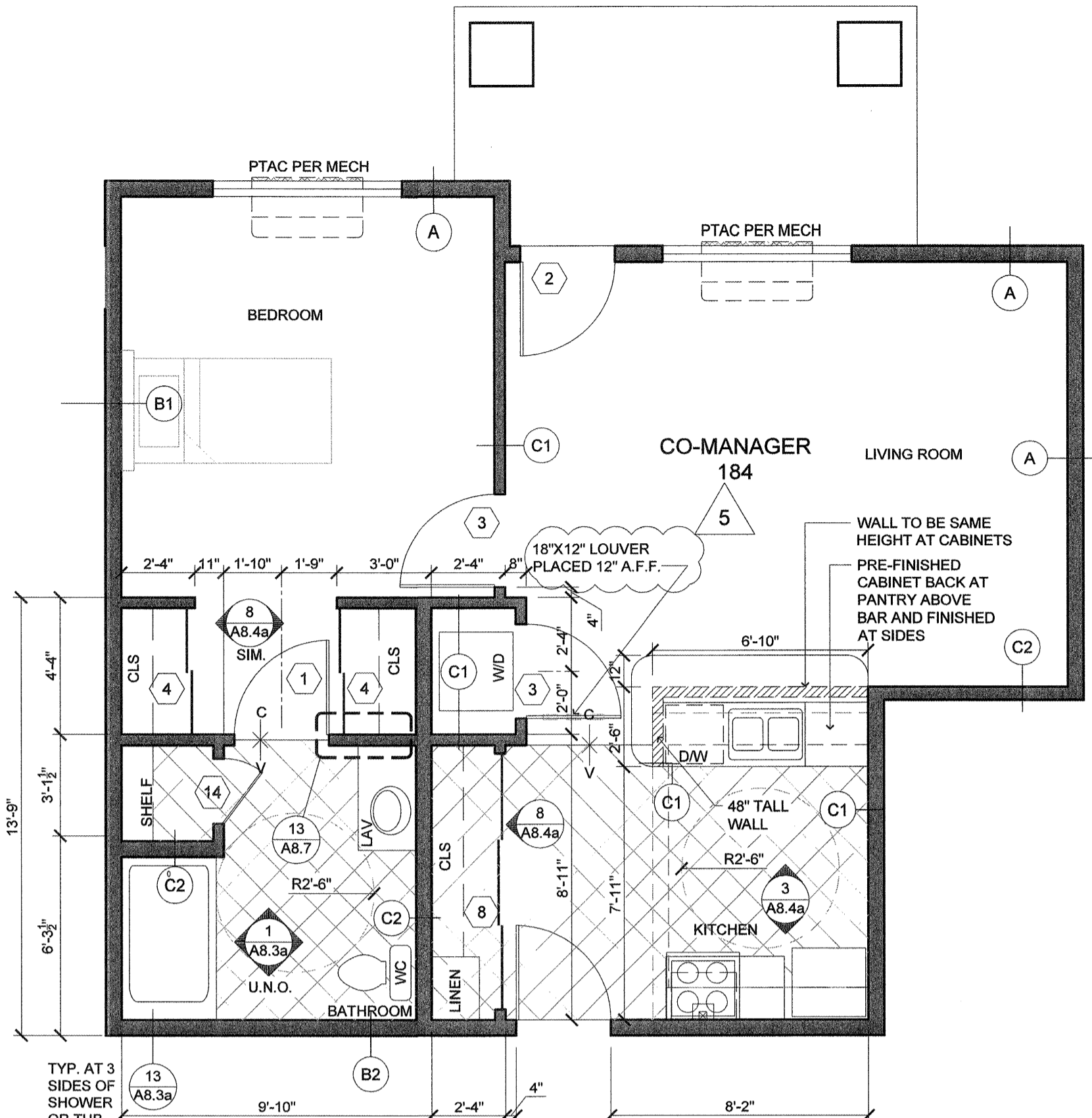


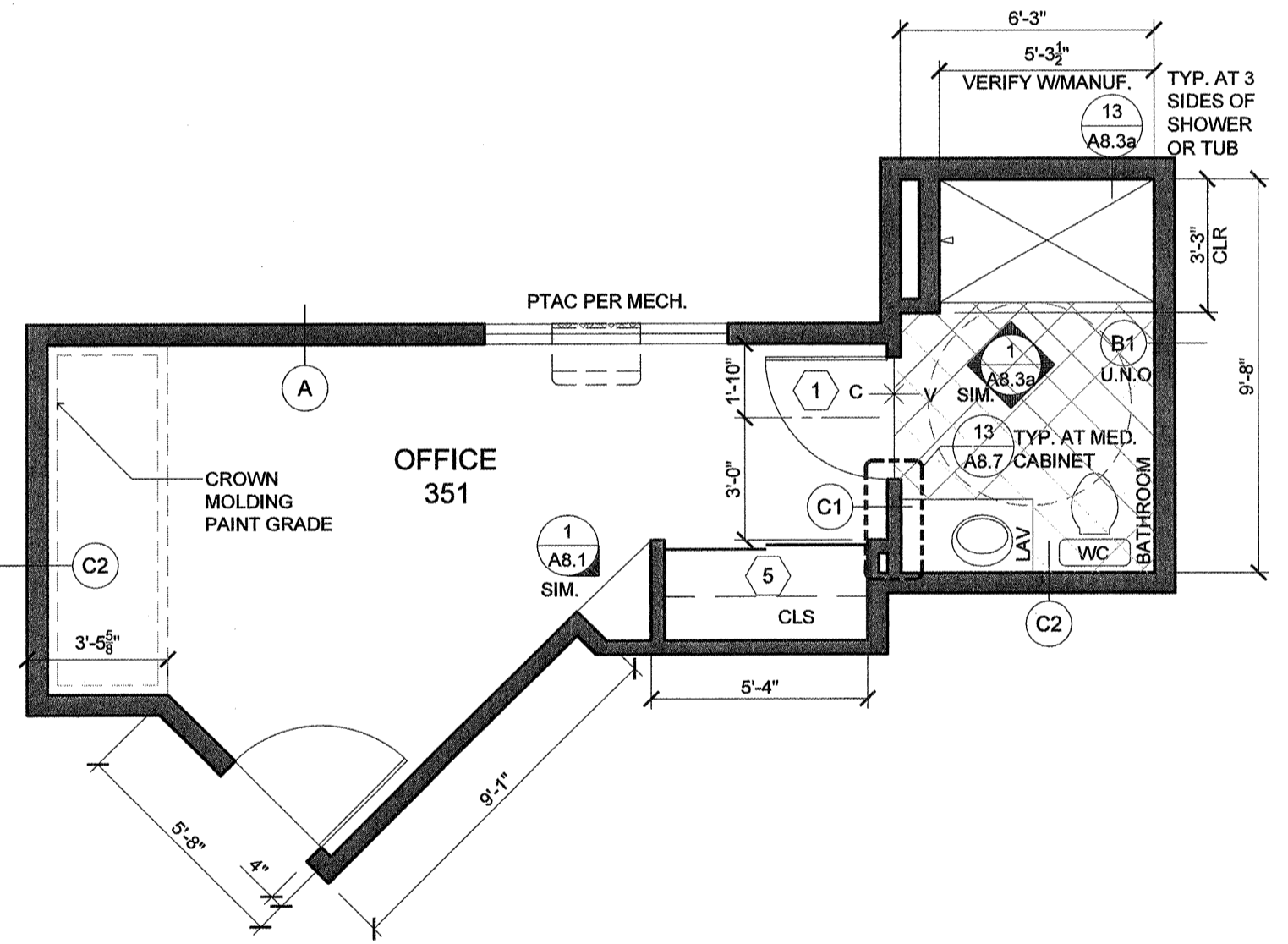
1 OFFICE / MARKETING
SCALE: 1/4"=1'-0"



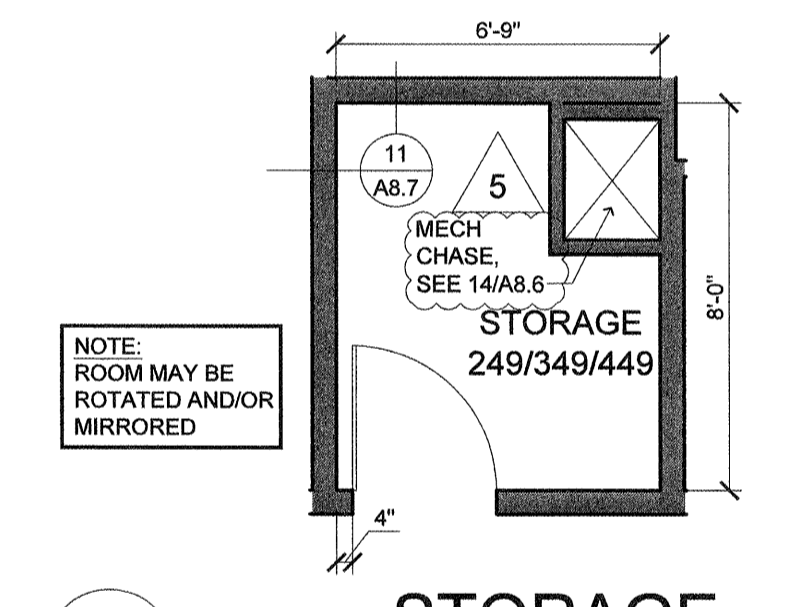
2 MANAGER
SCALE: 1/4"=1'-0"



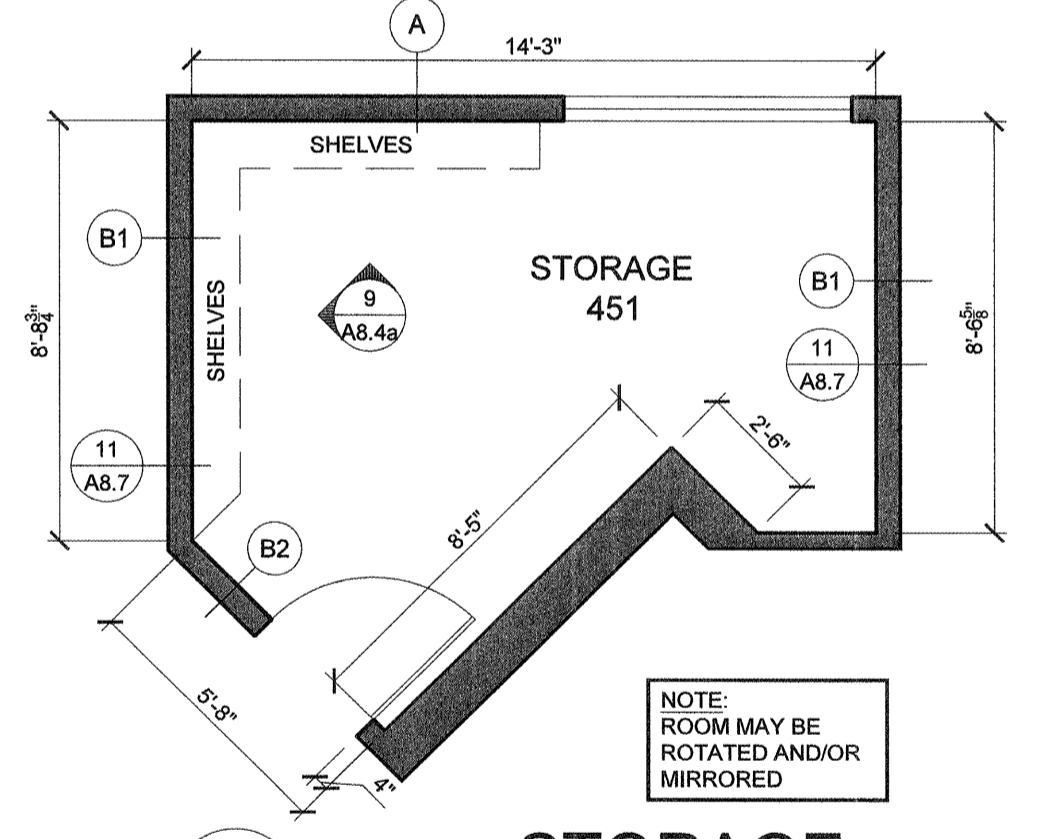
3 CO-MANAGER
SCALE: 1/4"=1'-0"



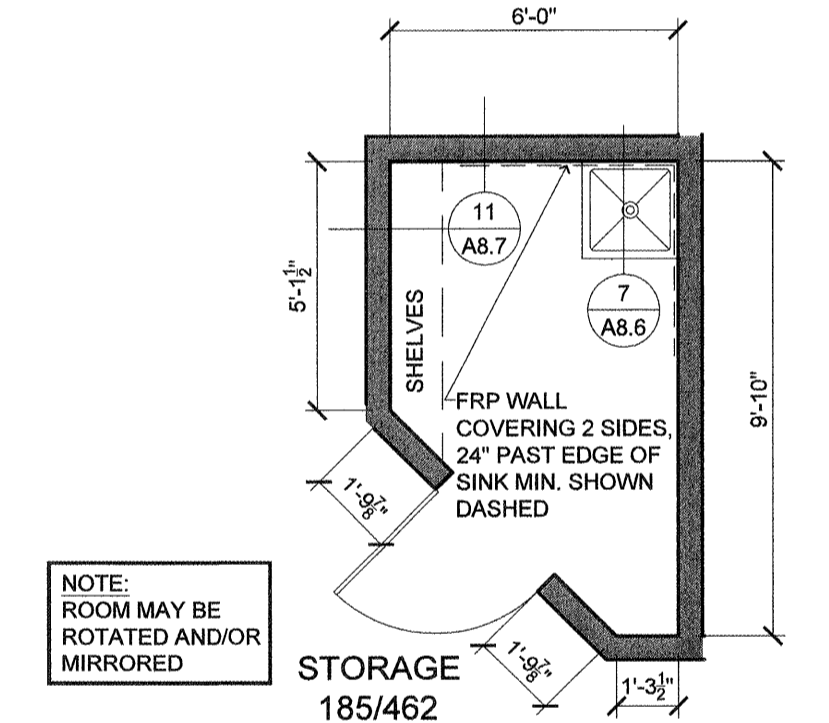
4 OFFICE
SCALE: 1/4"=1'-0"



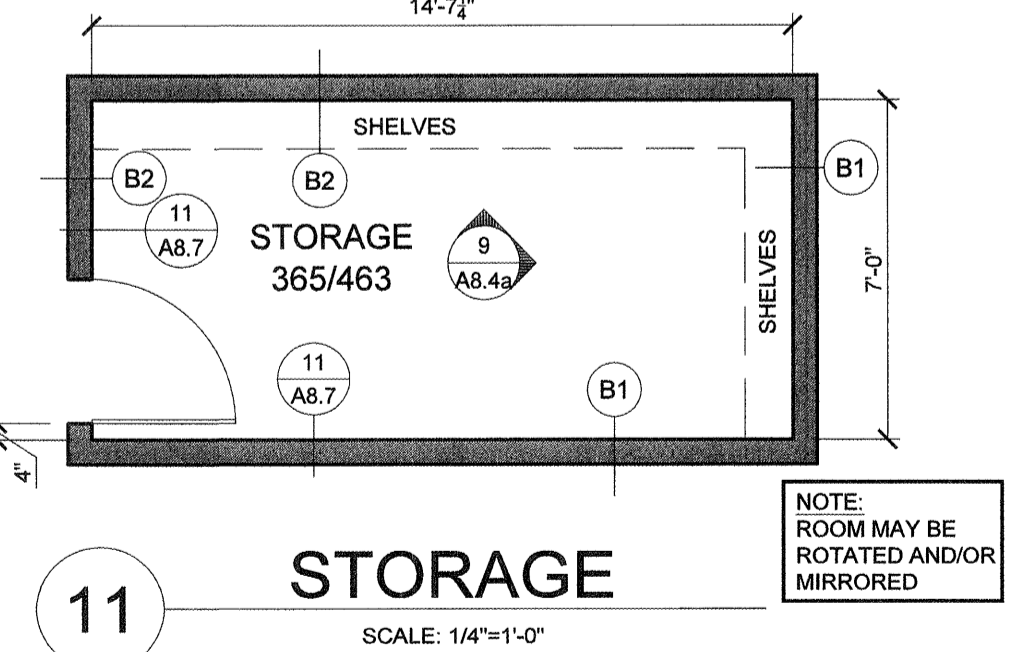
5 STORAGE
SCALE: 1/4"=1'-0"



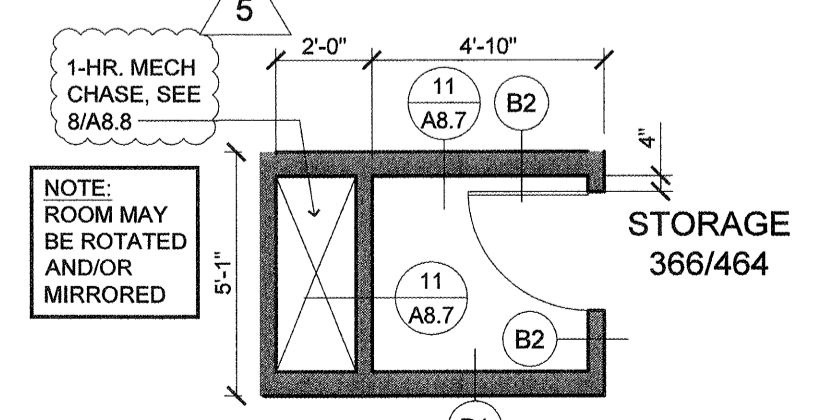
6 STORAGE
SCALE: 1/4"=1'-0"



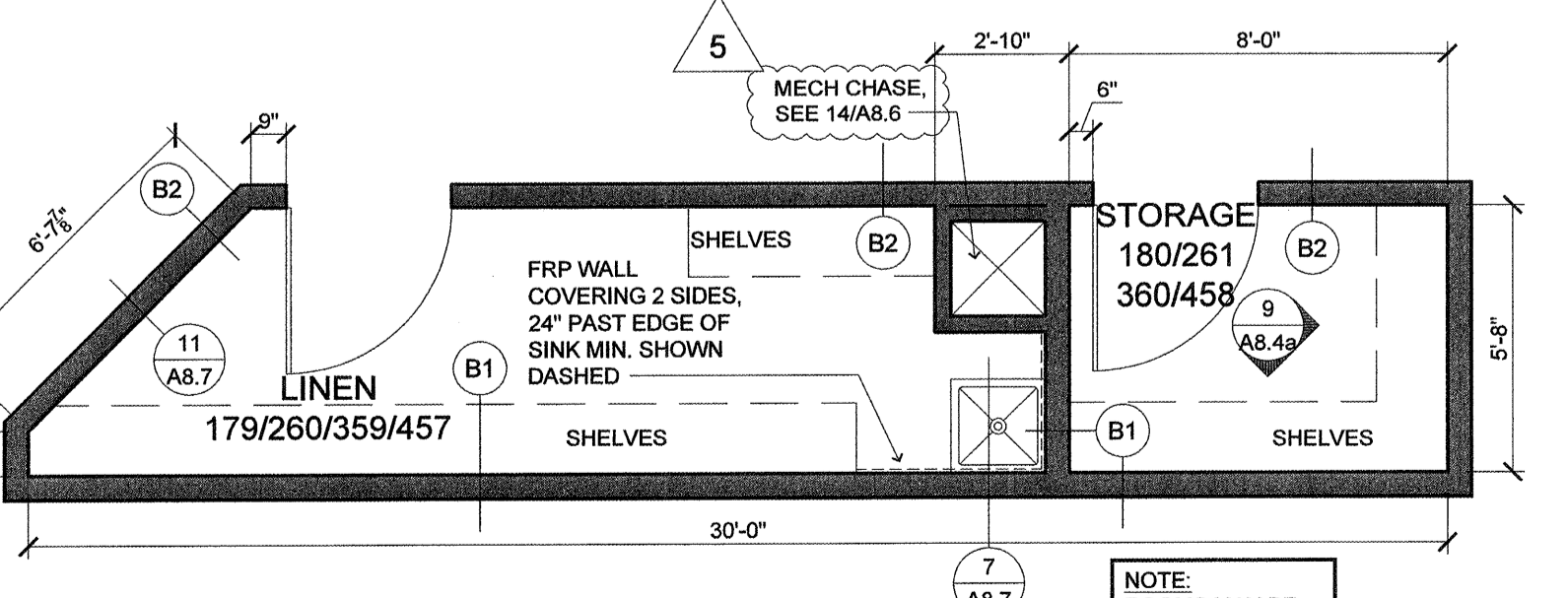
9 STORAGE
SCALE: 1/4"=1'-0"



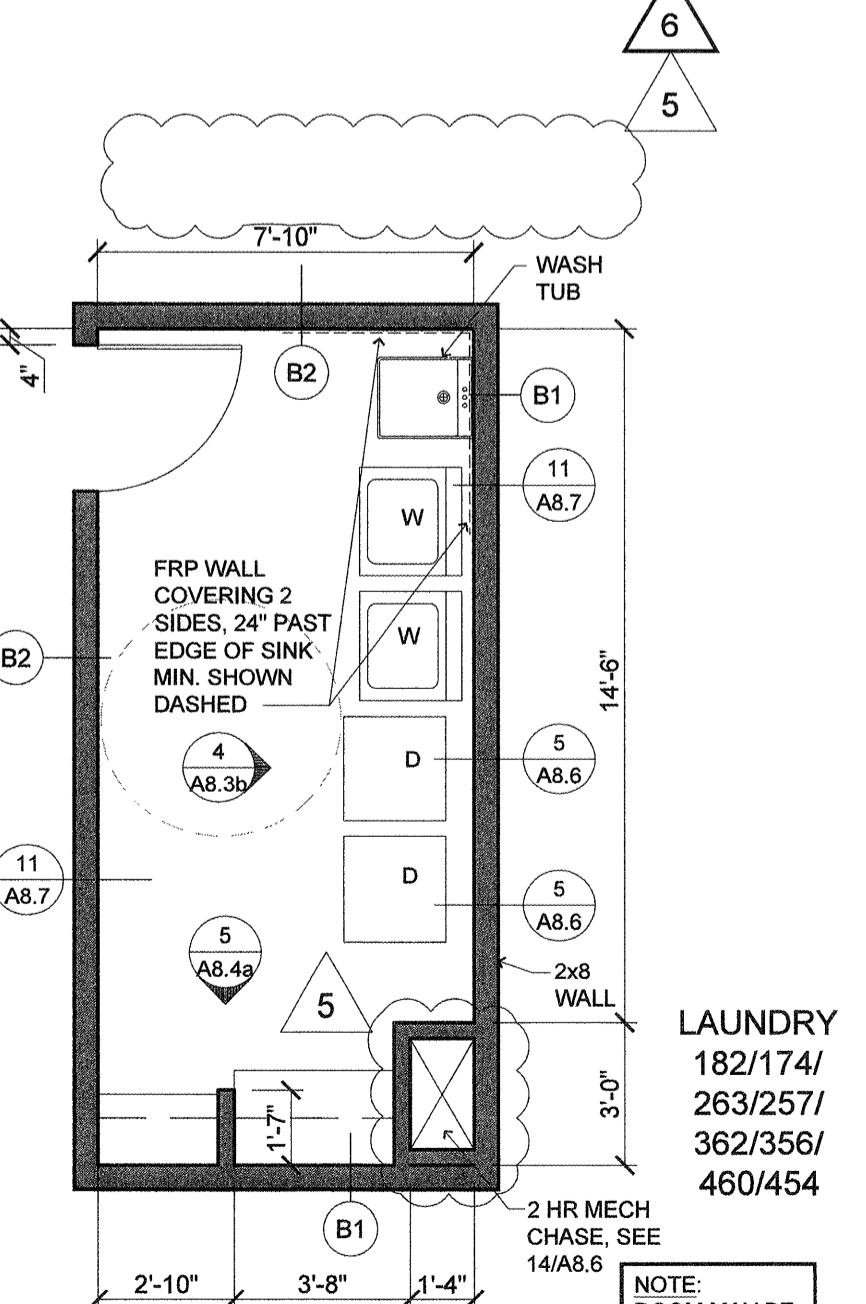
11 STORAGE
SCALE: 1/4"=1'-0"



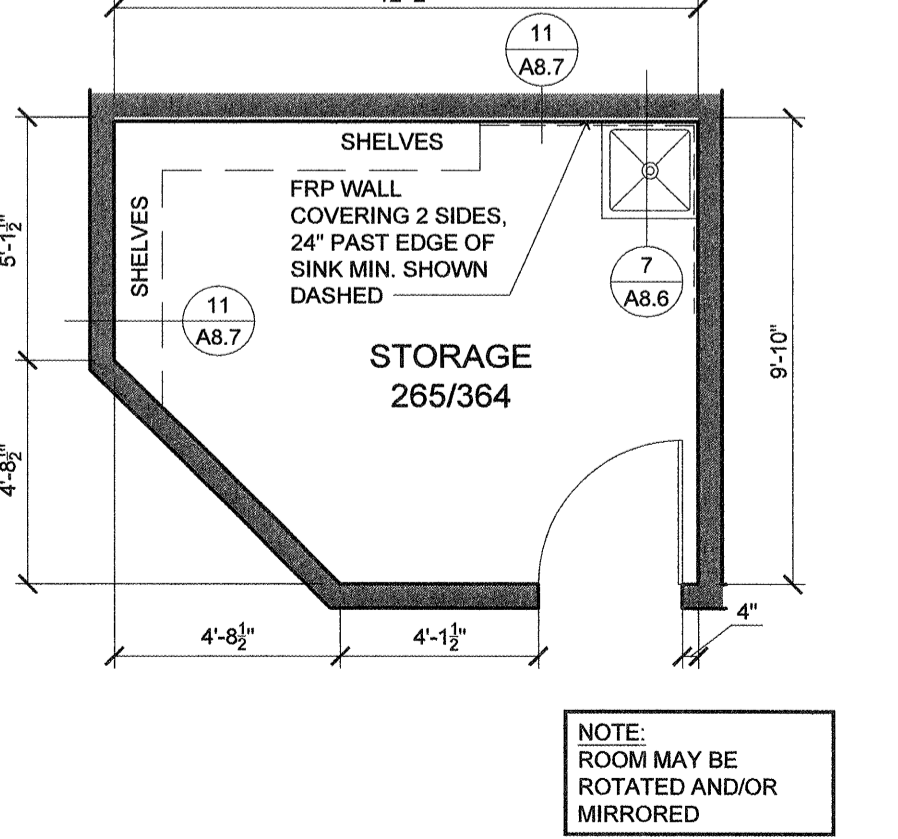
12 STORAGE
SCALE: 1/4"=1'-0"



7 LINEN/STORAGE
SCALE: 1/4"=1'-0"

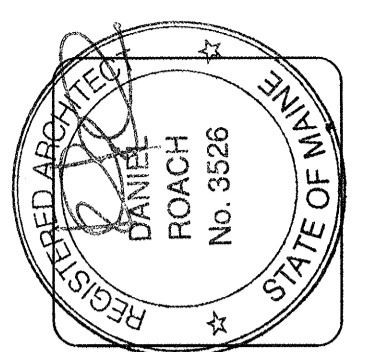


8 LAUNDRY
SCALE: 1/4"=1'-0"



10 STORAGE
SCALE: 1/4"=1'-0"

- GENERAL NOTES:**
- REFER TO 2/A8.3a FOR TYPICAL SUITE BATH LAYOUT.
 - FRAME AND WIRE FOR FUTURE PTAC RECEPTACLE ON RIGHT SIDE OF BASEBOARD LOCATION. TO REPLACE BASEBOARD IN "C" UNIT SPARE BEDROOMS.
 - REFER TO PLUMBING DETAILS & GENERAL NOTES / SPECIFICATIONS ON SHEET M2.2 FOR FIRE BARRIER PENETRATION PROTECTION.
 - REFER TO PLUMBING DETAILS ON SHEETS M2.1 & M2.2.
 - PROVIDE DRYWALL EXPANSION JOINTS AT CORRIDOR FACE OF ALL COMMON DOORS AND INTERIOR DOOR JAMBS AT TOP FLOOR.
- DOOR DESIGNATION SEE A8.2a
◐ INTERIOR ELEV. SEE A8.3a, A8.3b & A8.4 SHEETS
◑ DESIGNATES WALL TYPES SHOWN ON COVER SHEET & A7.1a AND A7.1b



lenity architecture
3550 Metcalf Court, SE, Salem, Oregon 97301
#503.399.1050 #503.559.6565
#lenityarchitecture.com

COLSON AND COLSON
GENERAL CONTRACTOR, INC.
2260 MCGILCHRIST STREET SE, SUITE 200
SALEM, OREGON 97302
PHONE (503) 586-7401

PORTLAND RETIREMENT RESIDENCE
802 OCEAN AVE. PORTLAND, MAINE 04103

SUITE PLANS

NOTE: REFER TO A3 SHEETS FOR WINDOW IDENTIFICATION.

WALL TYPE "B" AT ALL STORAGE AND LAUNDRY ROOMS

NOTE: SEE E5 SHEETS FOR ELECTRICAL LAYOUTS AND M3 SHEET FOR MECH. LAYOUTS OF SUITES

ALL UNITS OTHER THAN THOSE IDENTIFIED AS WHEELCHAIR ACCESSIBLE ARE TO BE ADAPTABLE PER FAIR HOUSING ACT/ADA WITH SHOWER ACCESSIBLE CONVERTIBLE SUITES

DATE	8/28/2015
REVISED DATE	
SHEET	A5.1

DATE 7/18/2016 3:31:32PM