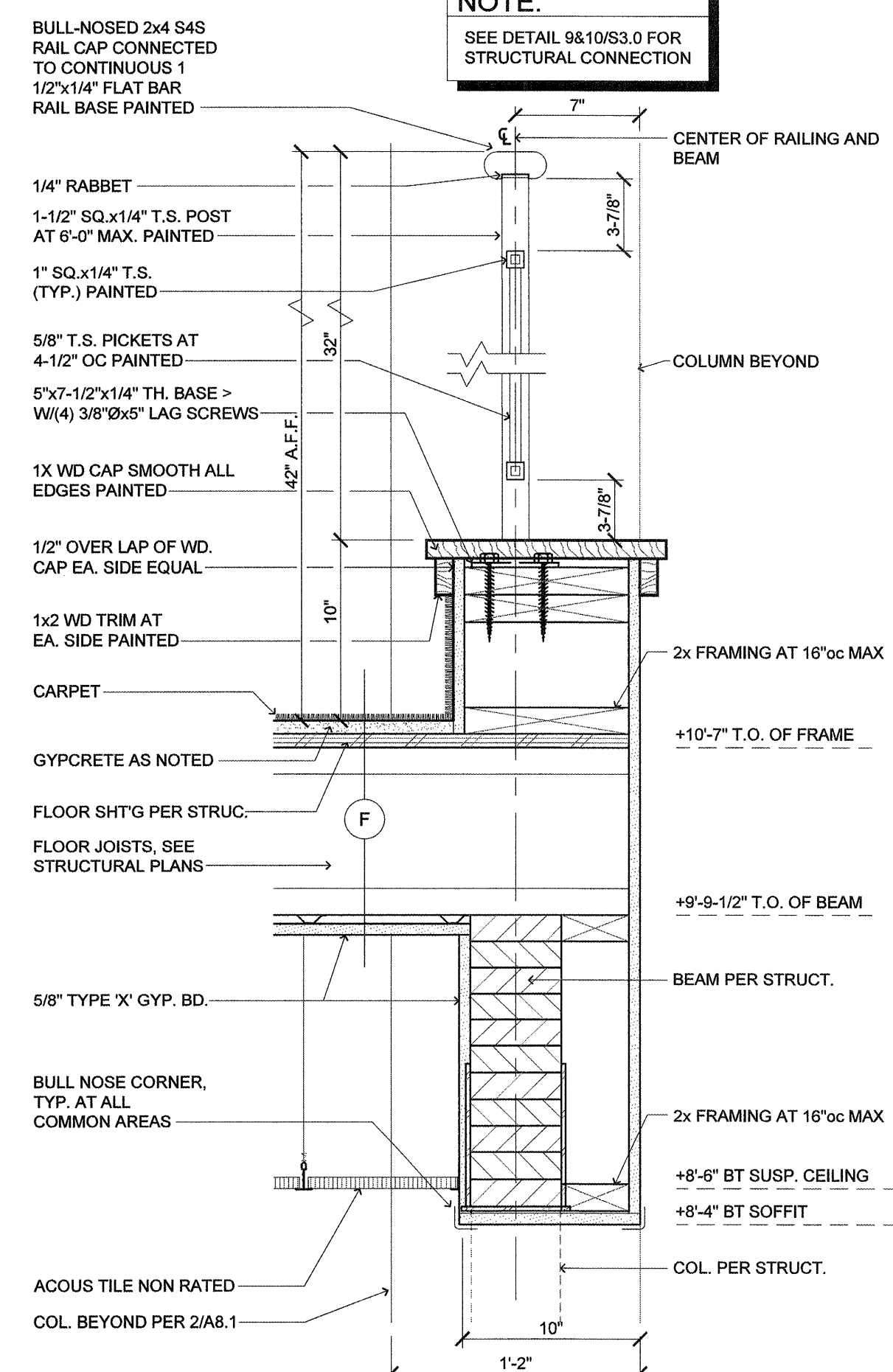
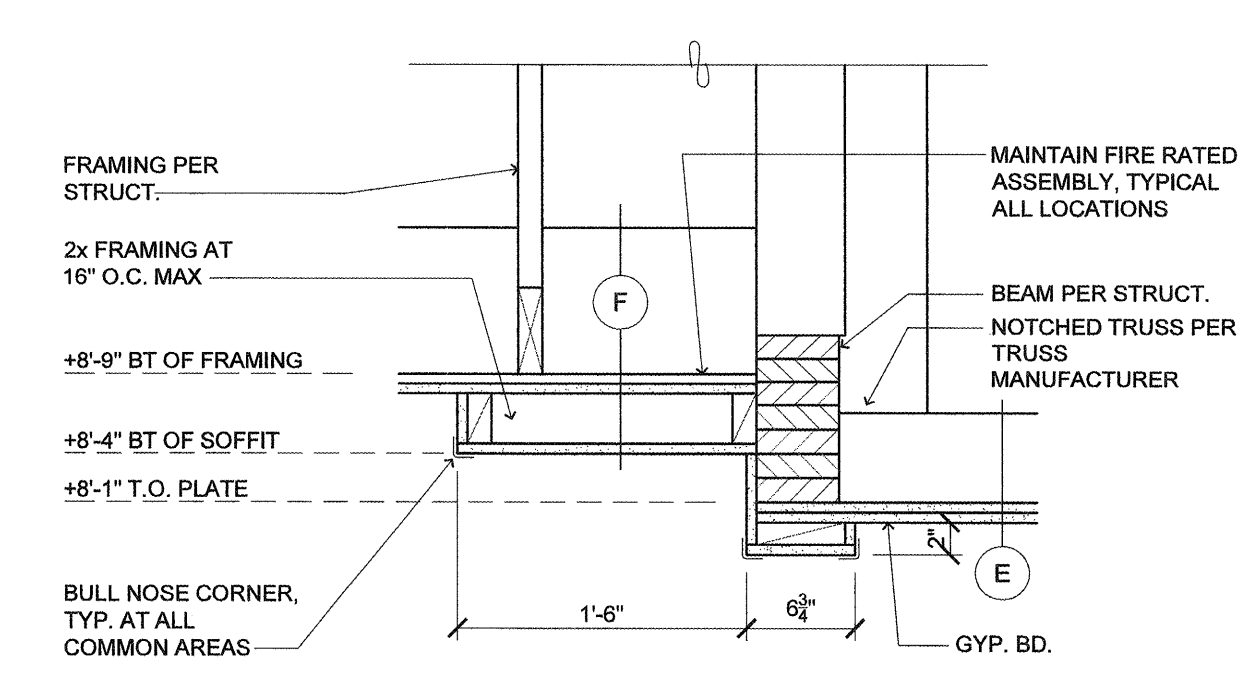


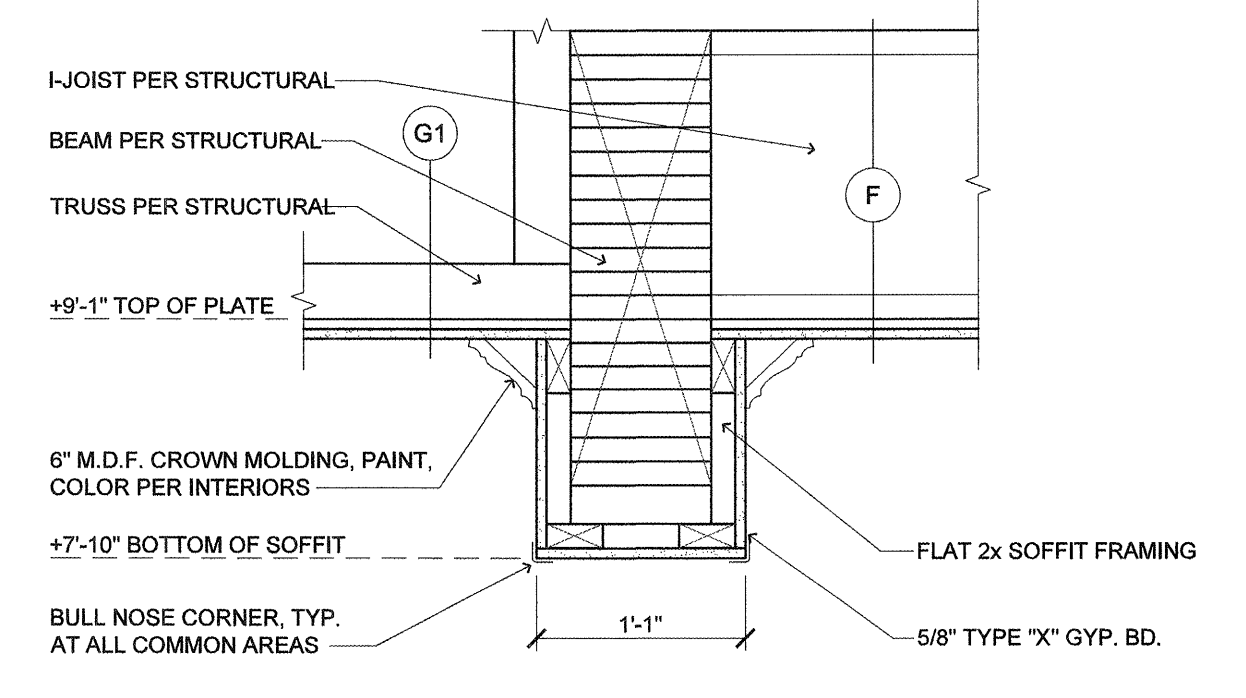
NOTE:
SEE DETAIL 0810/S3.0 FOR
STRUCTURAL CONNECTION



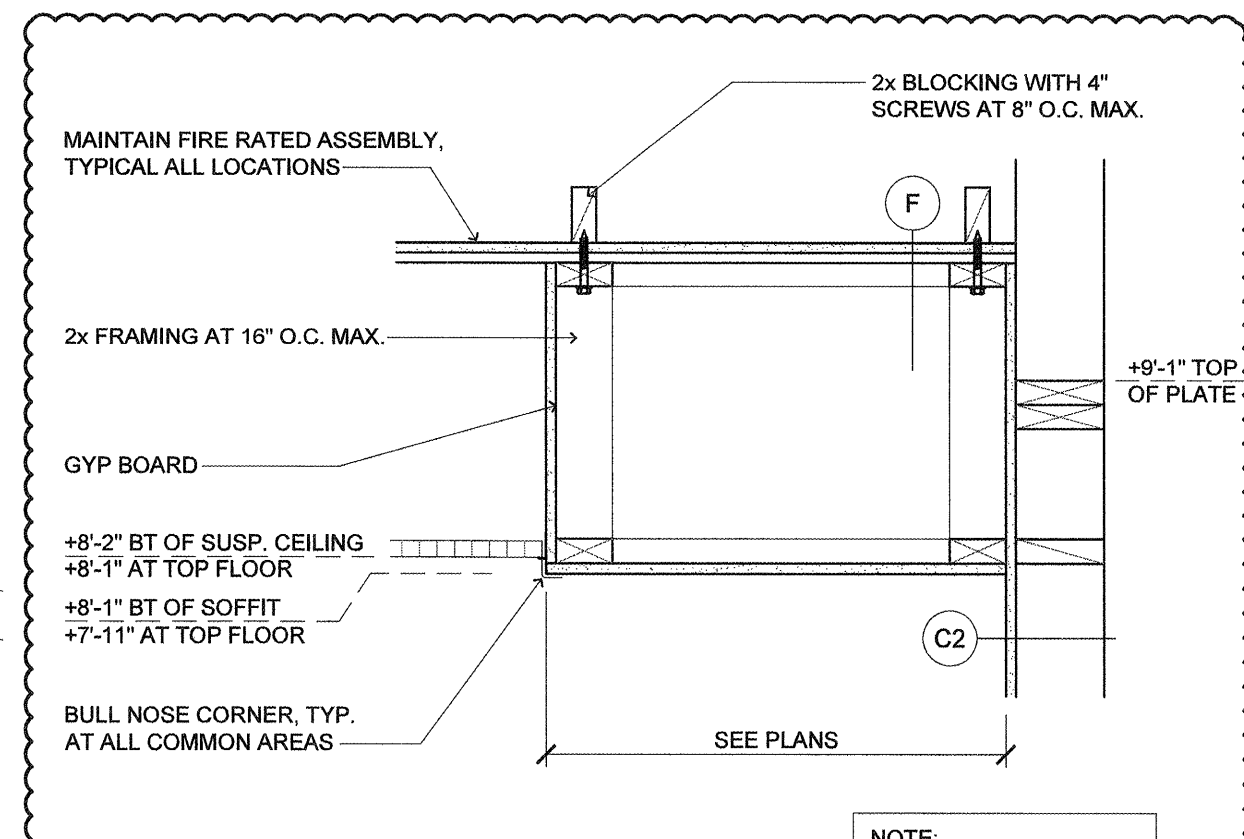
14 BALCONY
SCALE: 1-1/2"=1'-0"



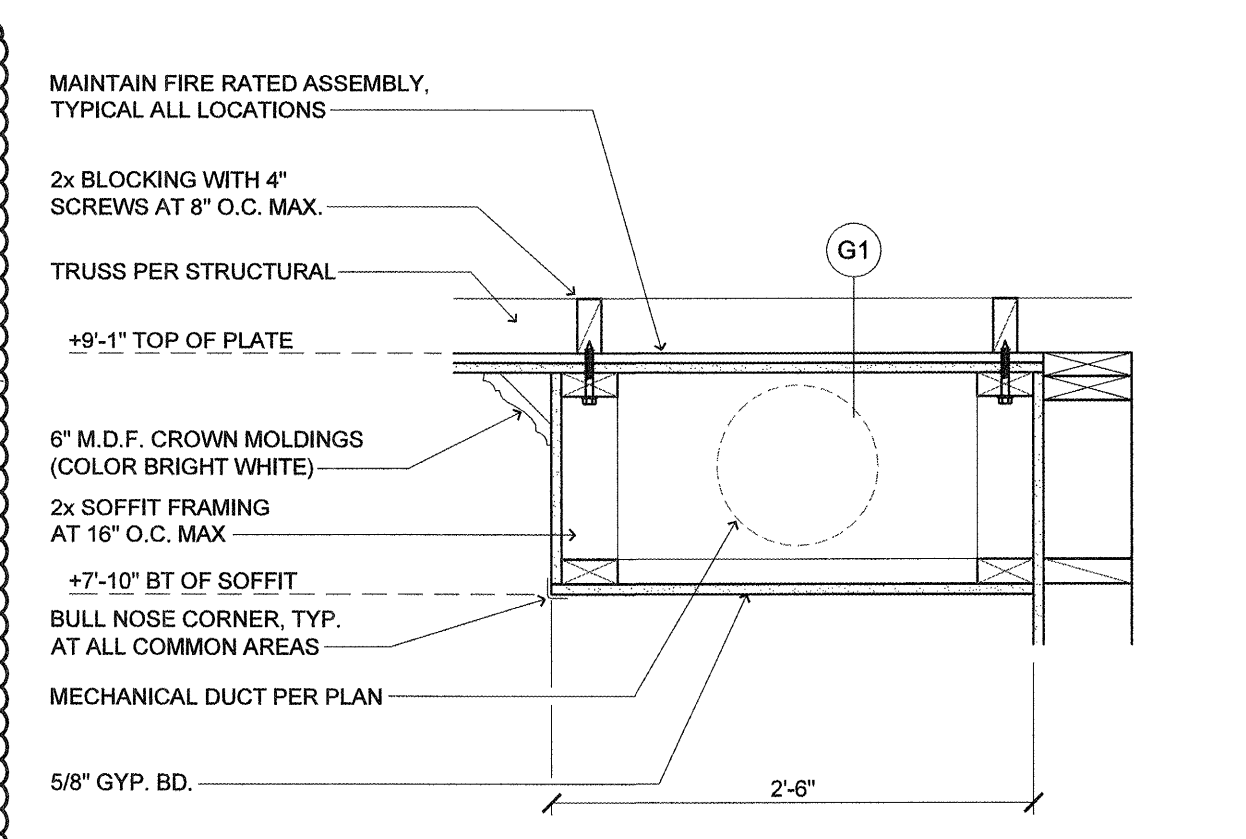
11 SOFFIT DETAIL (AT CORRIDOR UPPER FLOOR)
SCALE: 1"=1'-0"



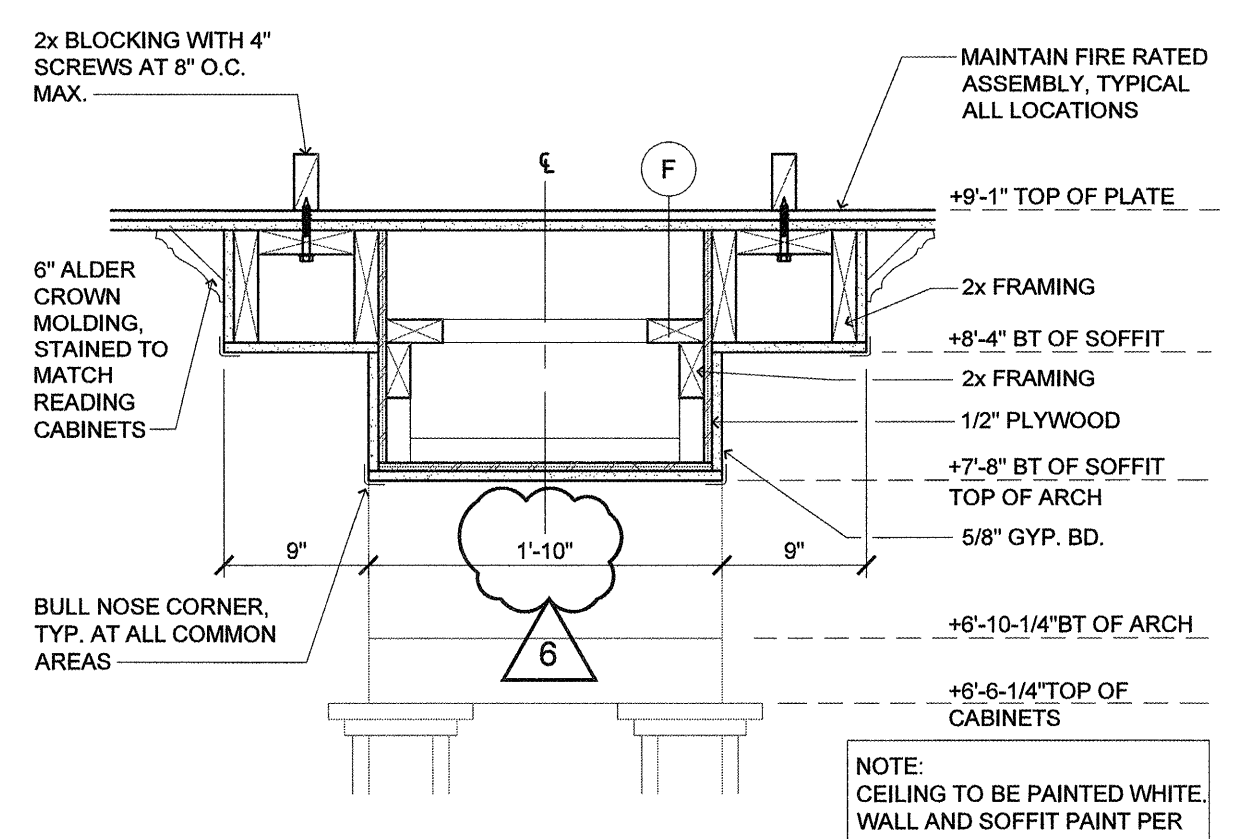
7 SOFFIT DETAIL (BEAUTY)
SCALE: 1"=1'-0"



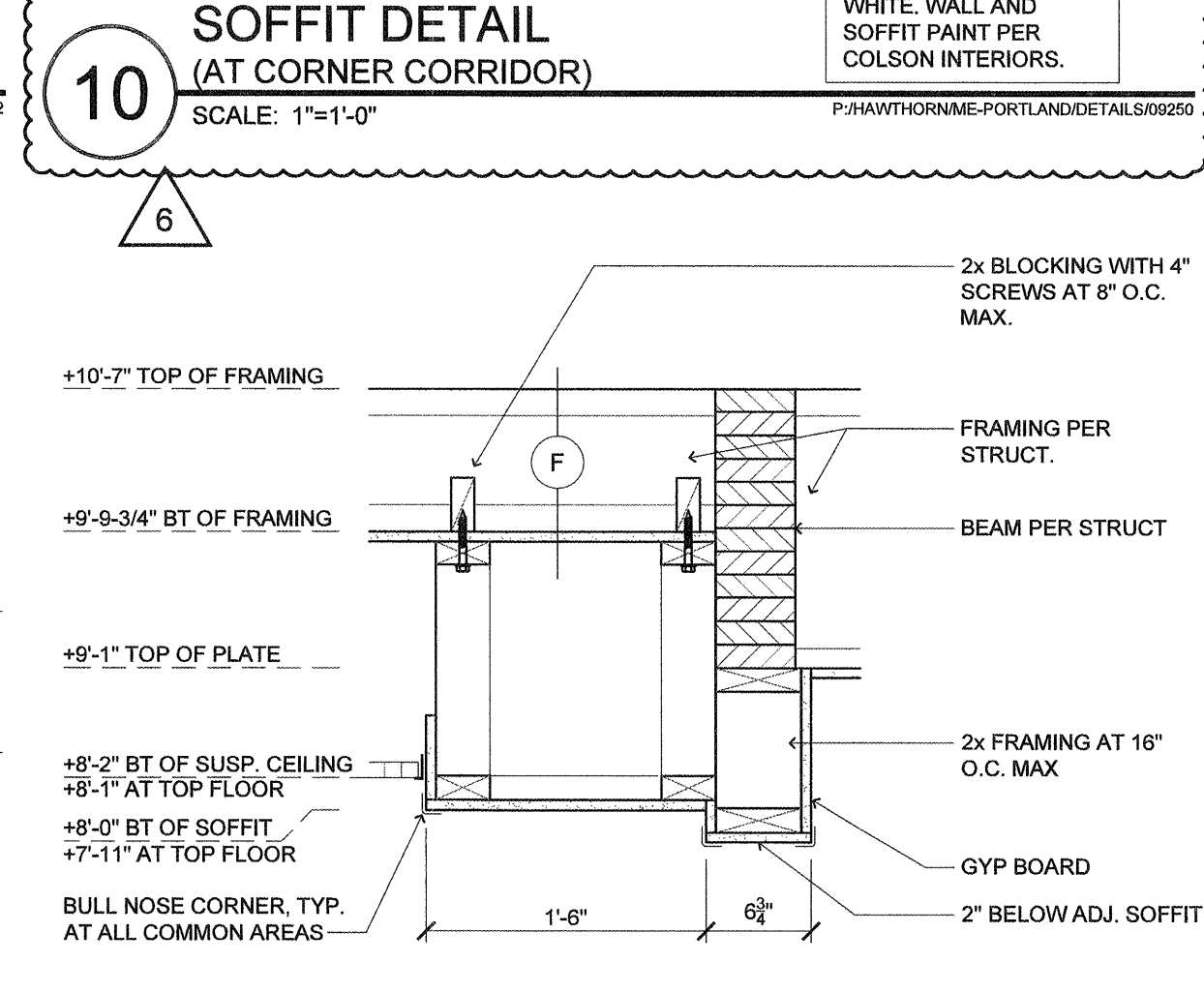
10 SOFFIT DETAIL (AT CORNER CORRIDOR)
SCALE: 1"=1'-0"



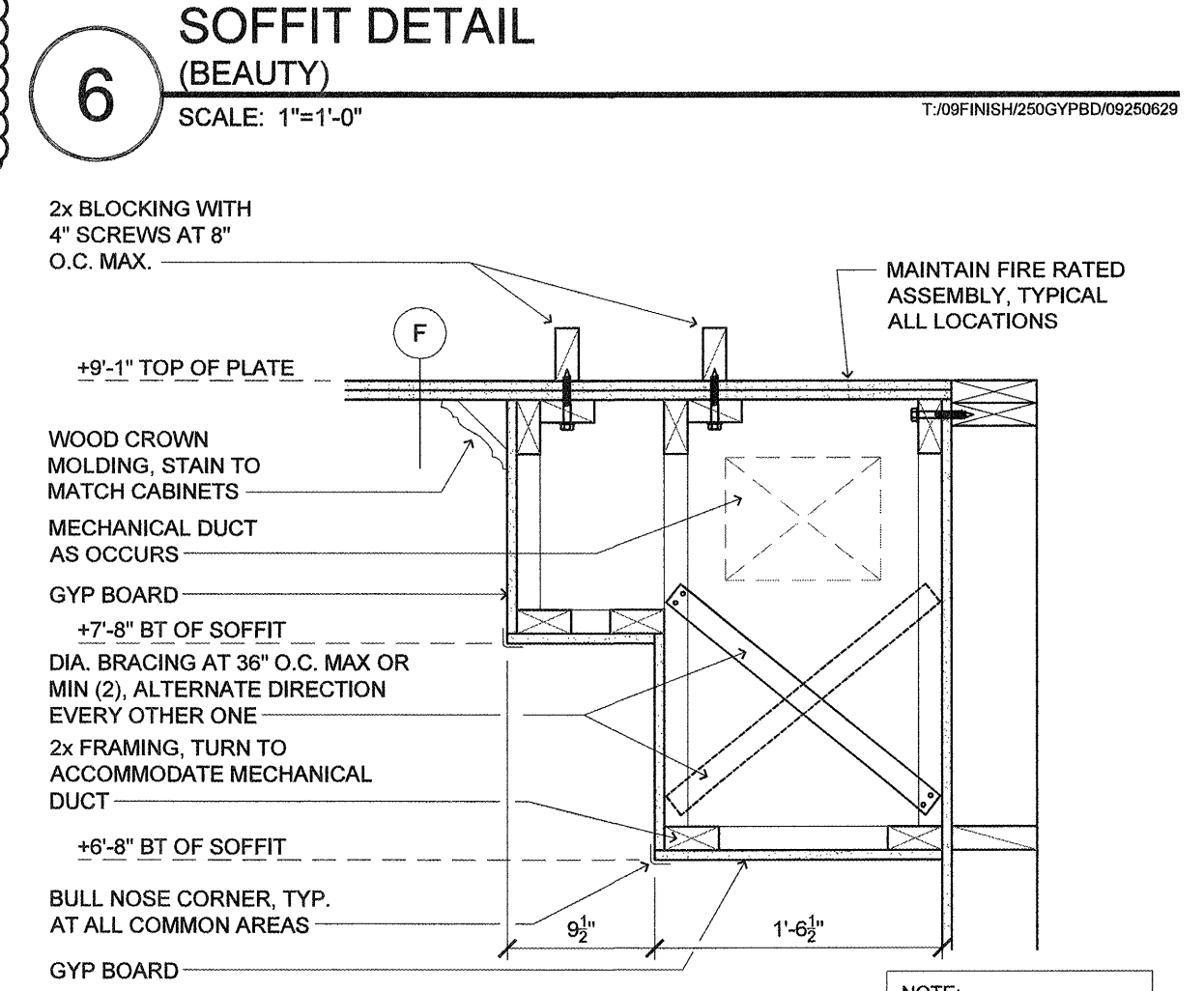
6 SOFFIT DETAIL (BEAUTY)
SCALE: 1"=1'-0"



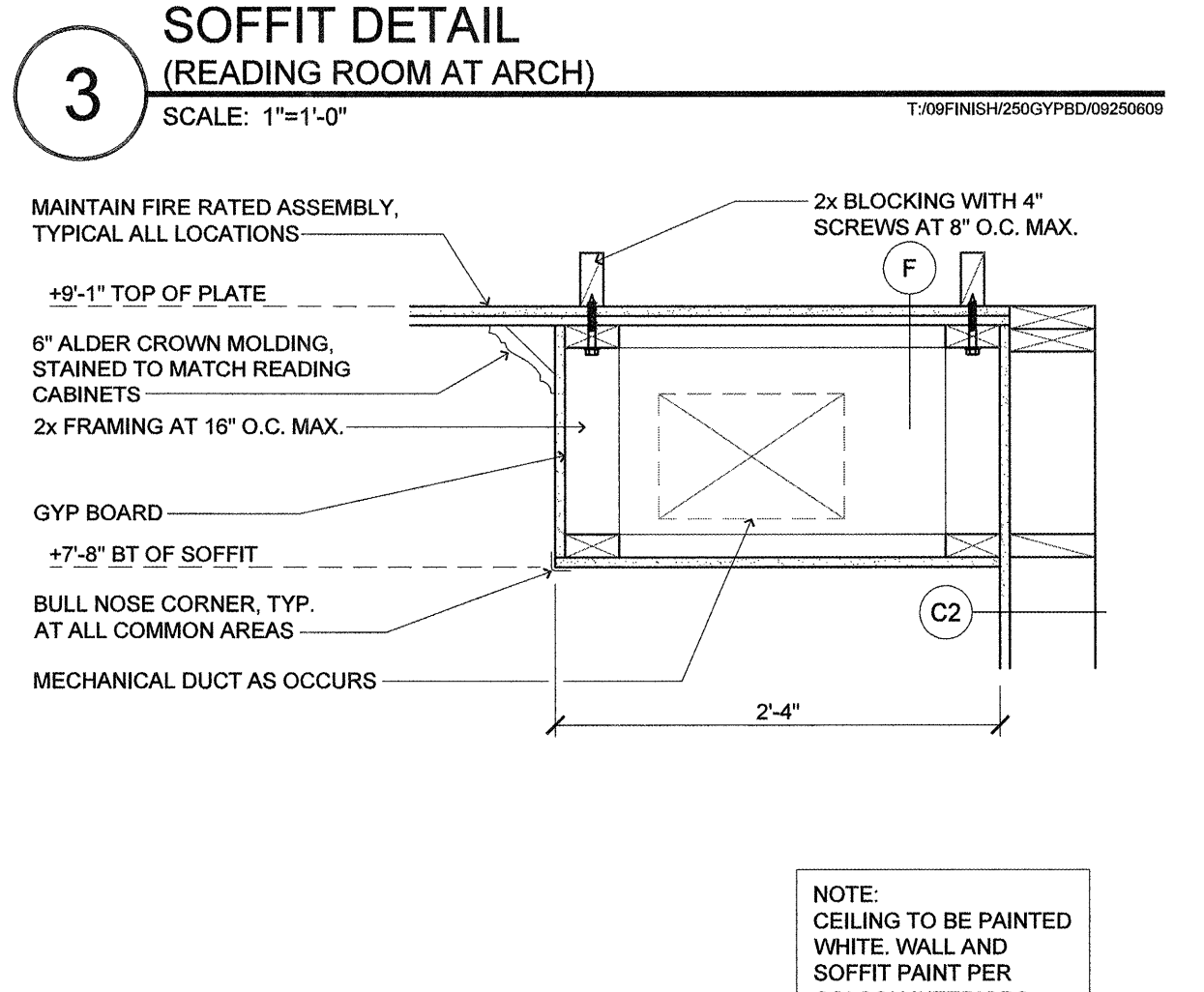
3 SOFFIT DETAIL (READING ROOM AT ARCH)
SCALE: 1"=1'-0"



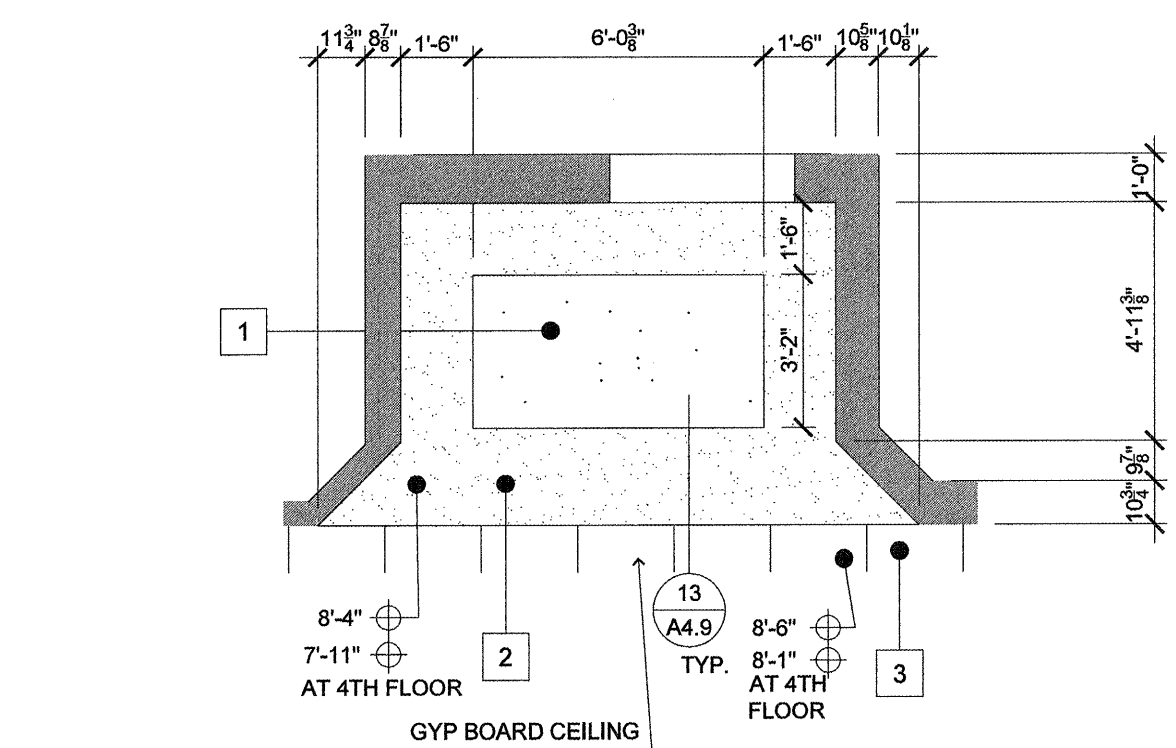
9 SOFFIT DETAIL (AT CORRIDOR)
SCALE: 1"=1'-0"



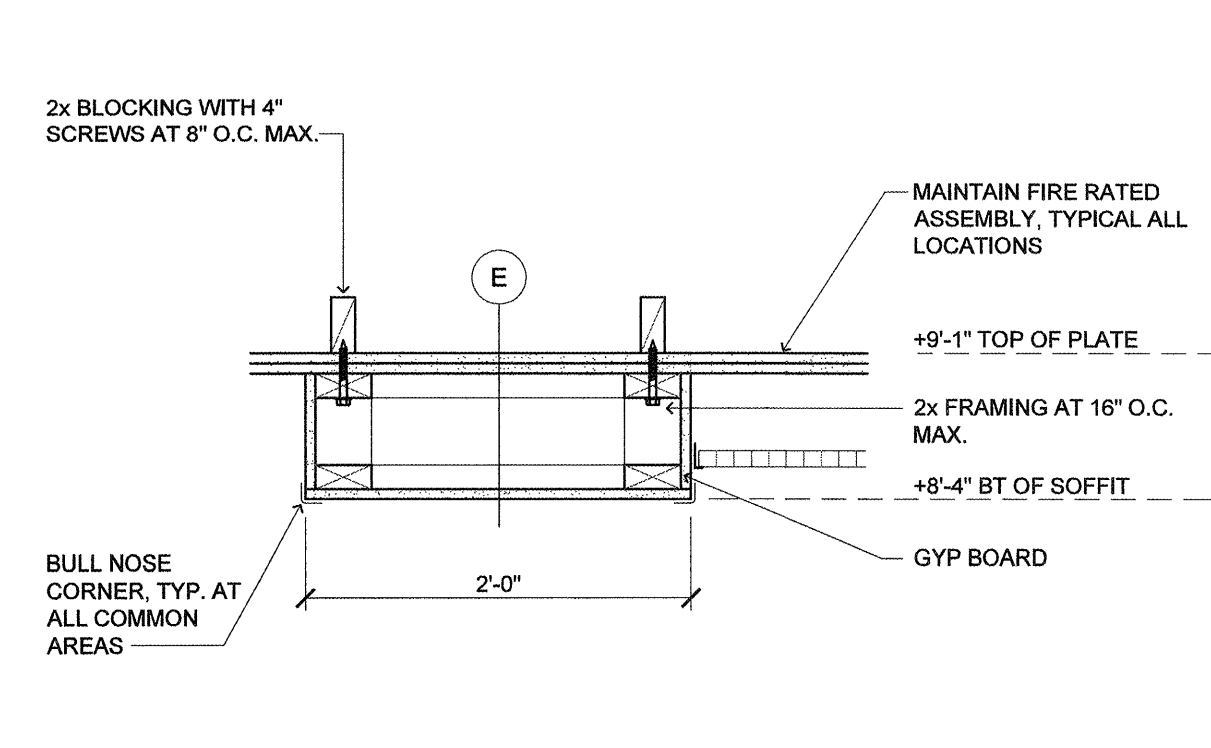
5 SOFFIT DETAIL (READING ROOM)
SCALE: 1"=1'-0"



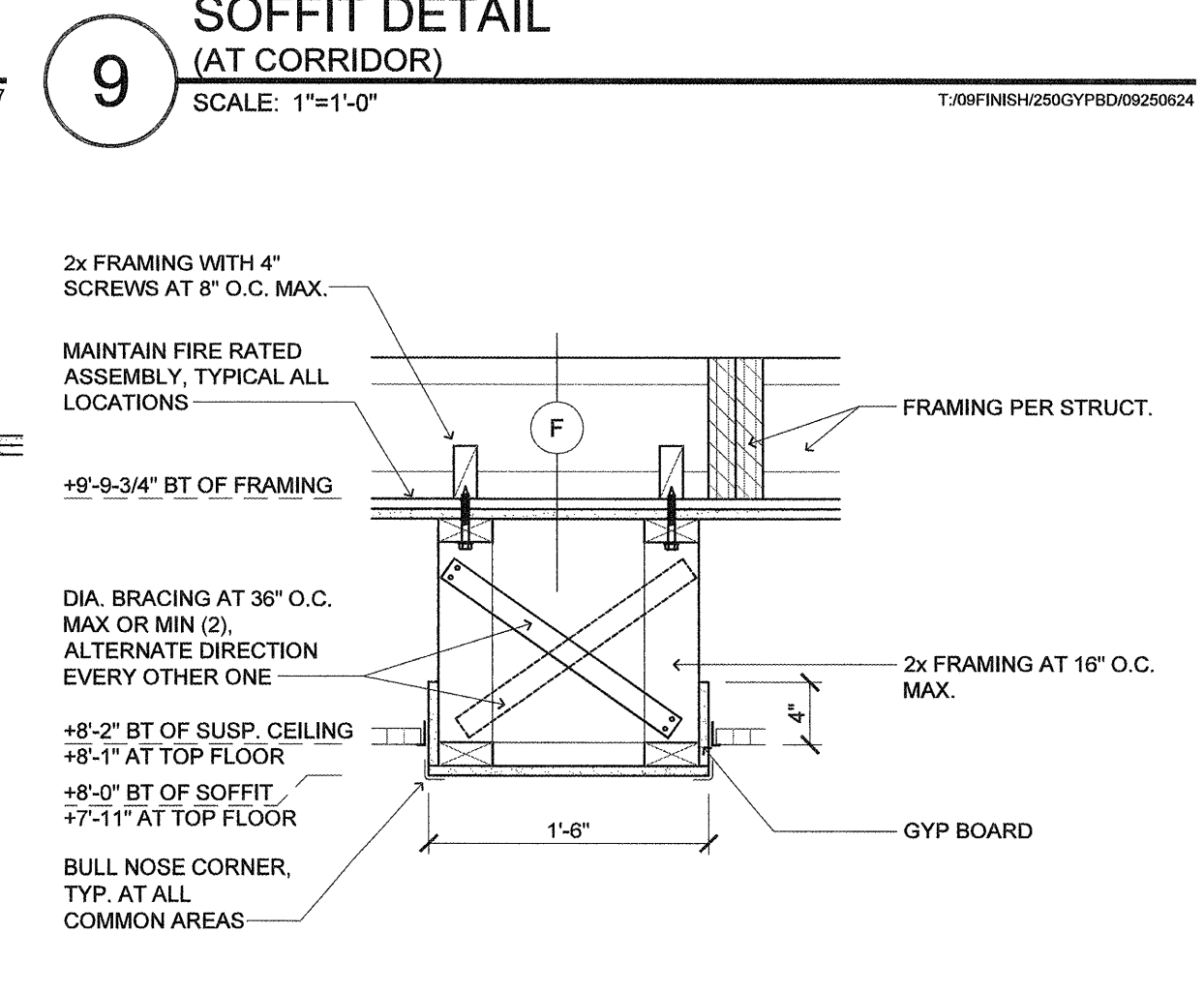
2 SOFFIT DETAIL (READING ROOM)
SCALE: 1"=1'-0"



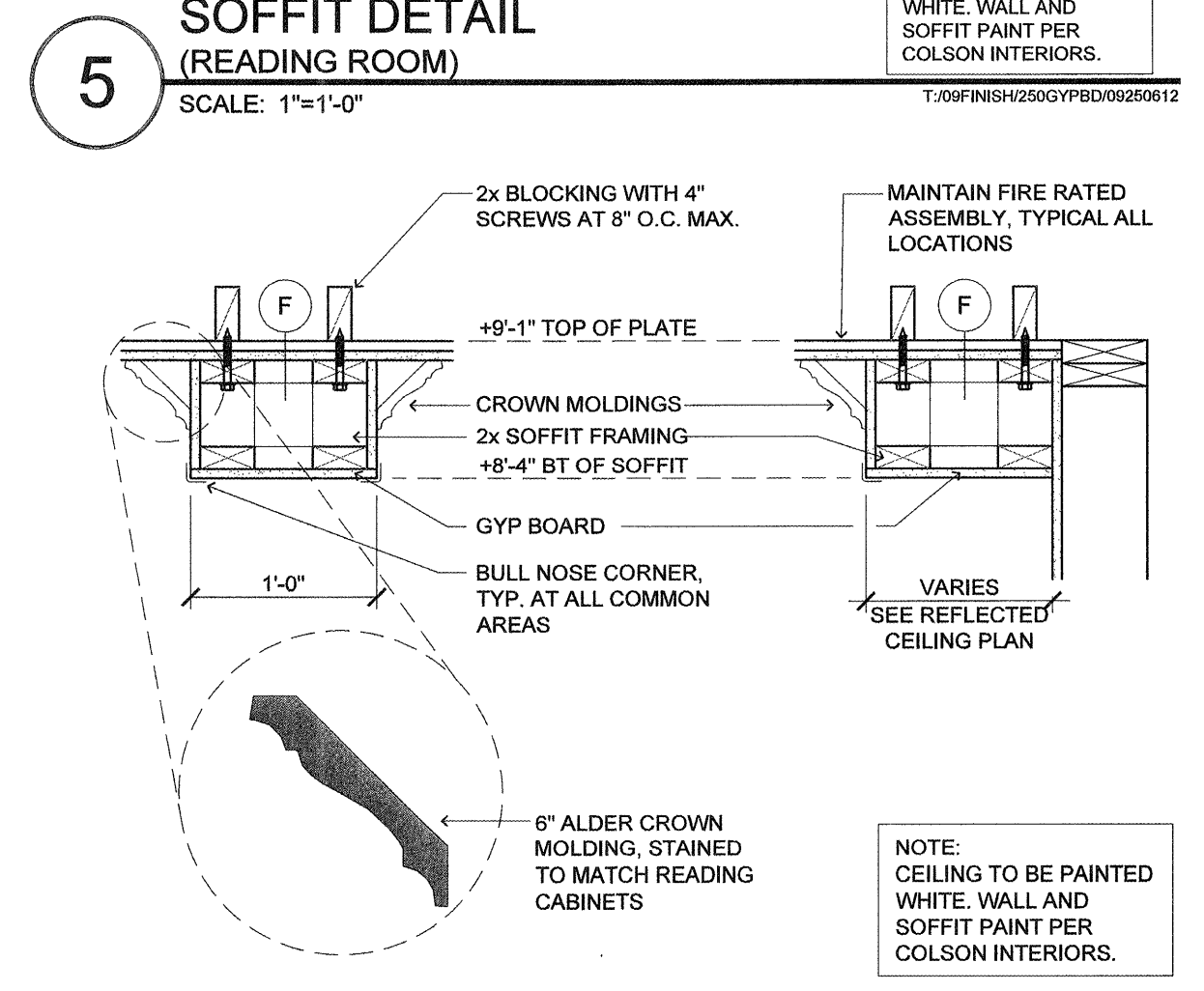
16 ENLARGED CEILING PLANS (ELEVATOR)
SCALE: 1/4" = 1'-0"



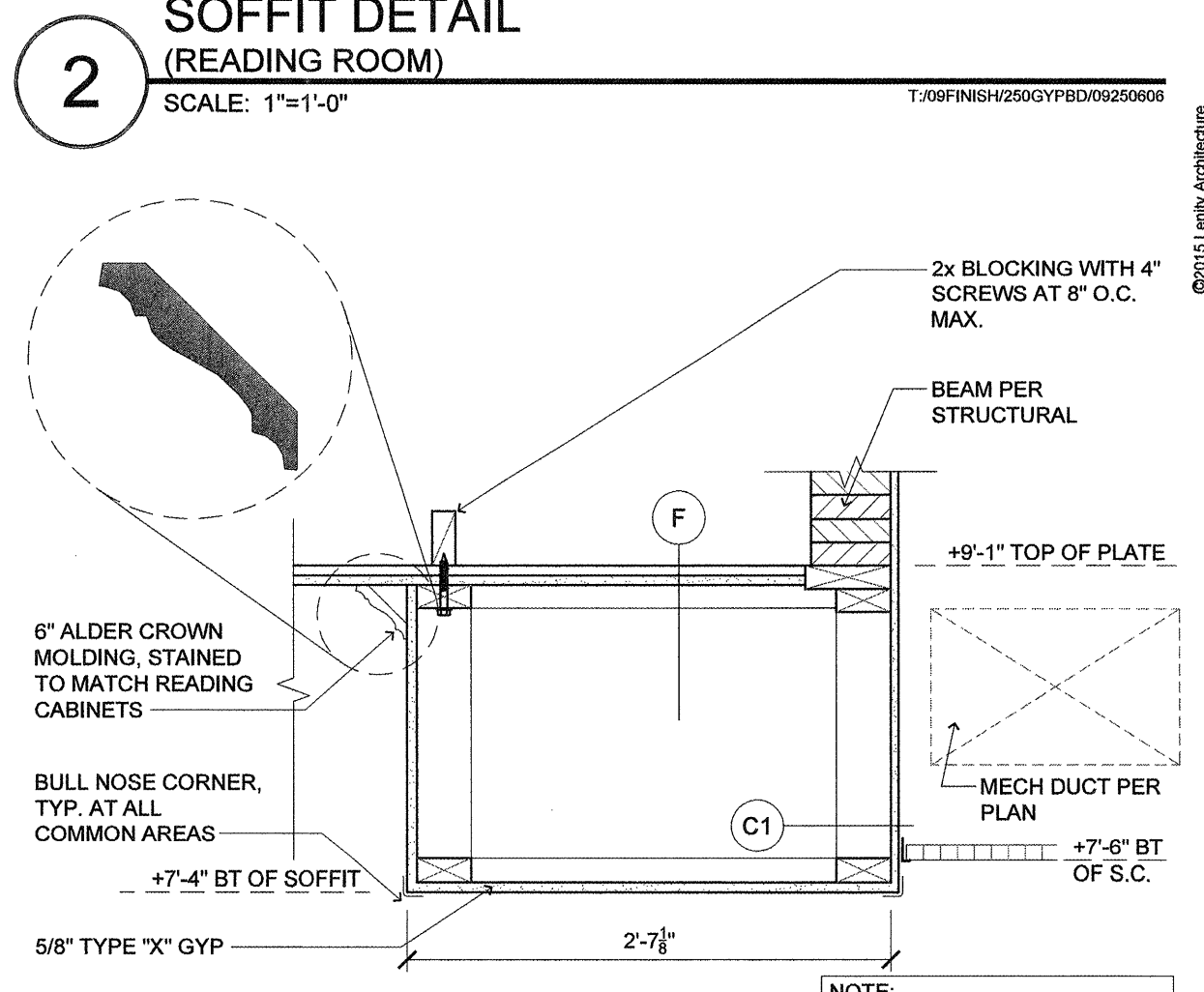
13 SOFFIT DETAIL (ELEVATOR)
SCALE: 1"=1'-0"



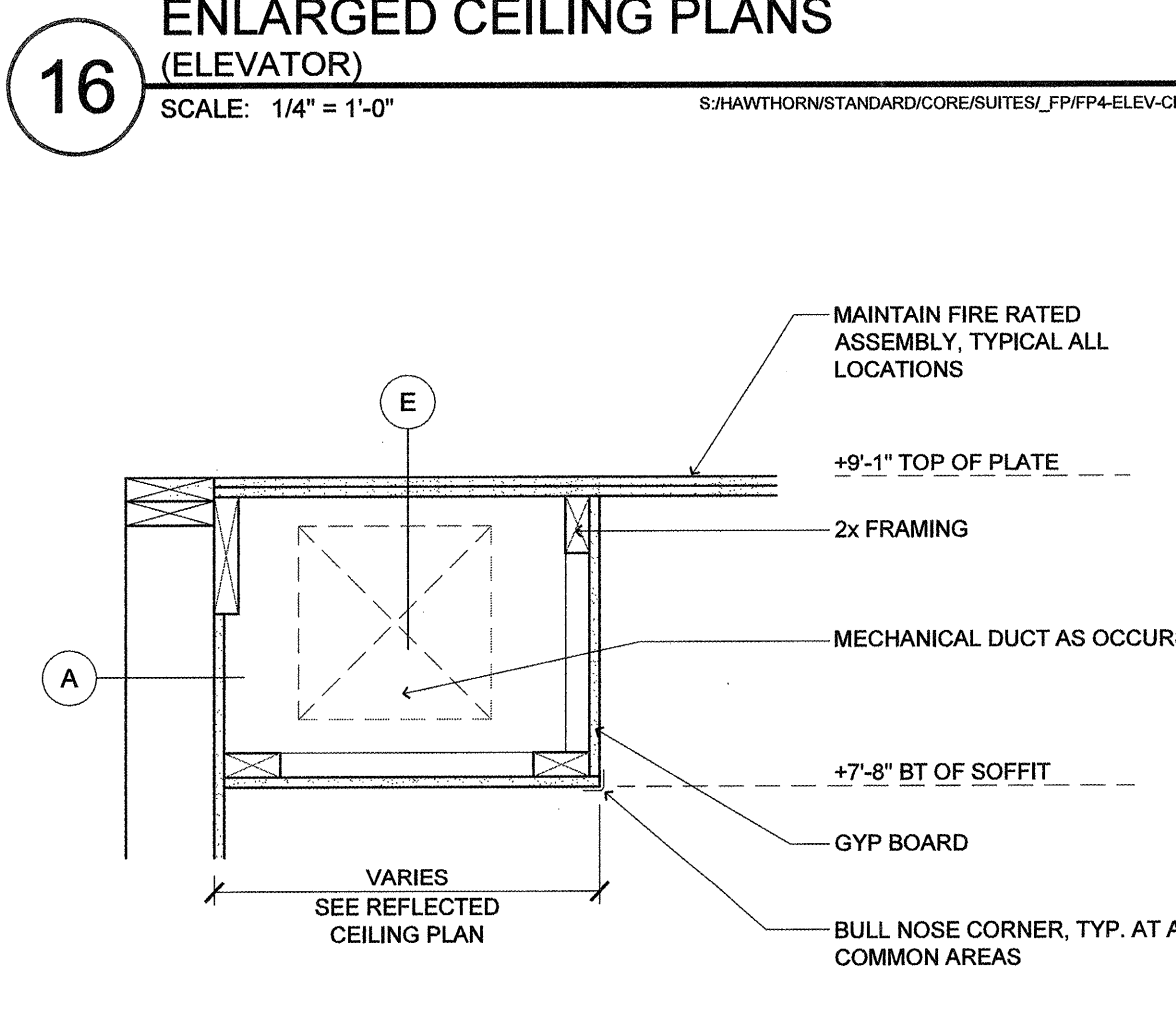
8 SOFFIT DETAIL (AT CORRIDOR)
SCALE: 1"=1'-0"



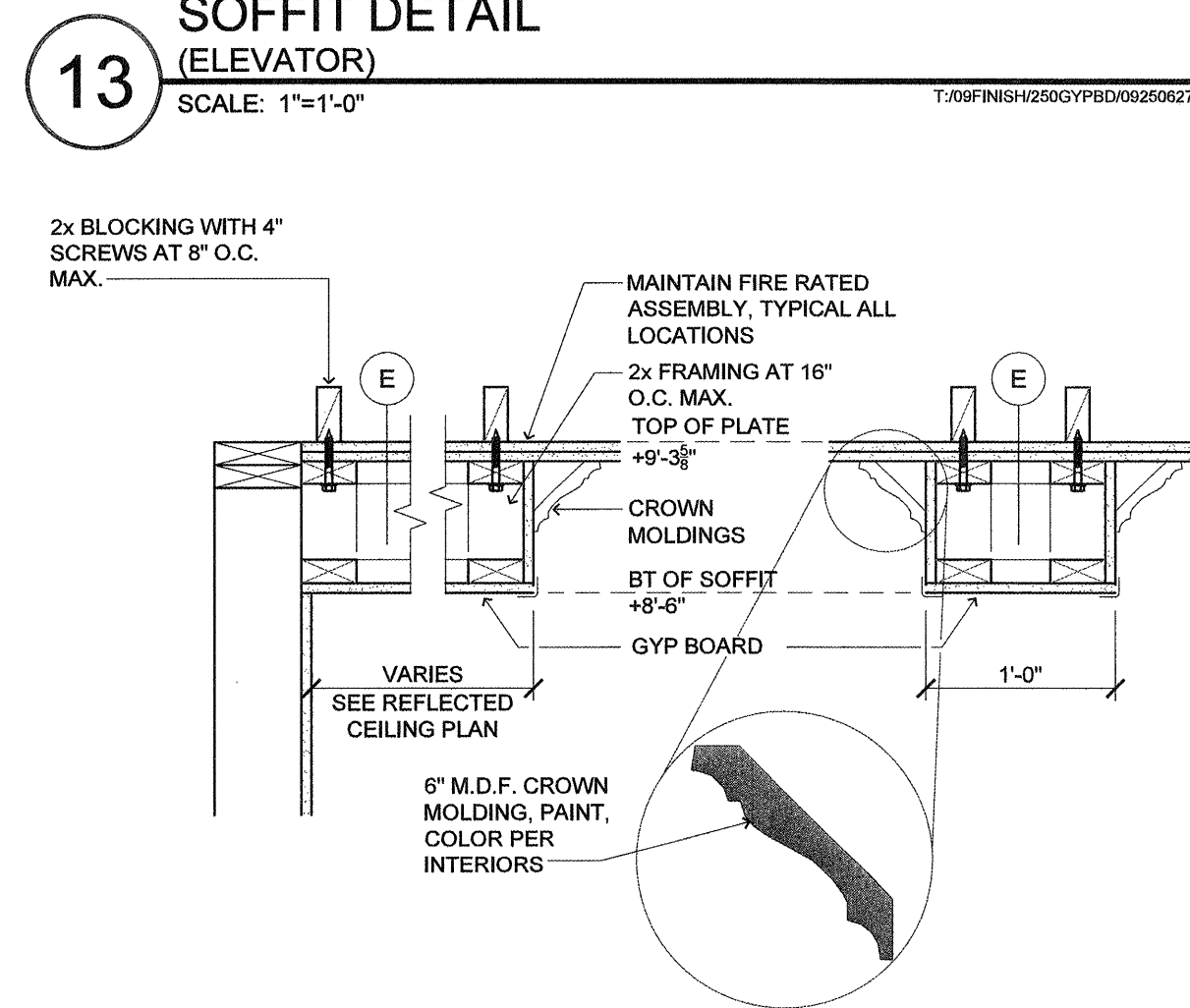
4 SOFFIT DETAIL (READING ROOM)
SCALE: 1"=1'-0"



1 SOFFIT DETAIL (READING ROOM)
SCALE: 1"=1'-0"



15 SOFFIT DETAIL (GYM)
SCALE: 1"=1'-0"



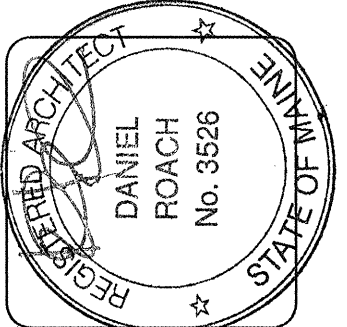
12 SOFFIT DETAIL (PRIVATE DINING ROOM)
SCALE: 1"=1'-0"

NOTE:
DIMENSIONS OF SOFFITS ON 1ST FLOOR ARE TAKEN FROM FINISH FLOOR. DIMENSIONS OF SOFFITS ON 2ND FLOOR AND ABOVE ARE TAKEN FROM TOP OF PLYWOOD.

NOTE:
SOFFITS CAN BE FRAMED USING METAL STUDS, CONTRACTORS OPTION.

NOTE:
2x BLOCKING MIN. CONTINUOUS FULL LENGTH OF SOFFIT, ATTACH SOFFIT FRAMING WITH 4" SCREWS AT 8" O.C. MAX.

NOTE:
WHERE POSSIBLE, PROVIDE DIAGONAL BLOCKING IN SOFFITS WIDER THAN 18".



lenity architecture
3150 Kettle Court SE, Salem, Oregon 97301
P: 503.399.1050 F: 503.399.0555
www.lenityarchitecture.com

COLSON AND COLSON
GENERAL CONTRACTOR, INC.
2280 McGLICHRIST STREET SE, SUITE 200
SALEM, OREGON, 97302
PHONE (503) 586-7401

PORTLAND
RETIREMENT RESIDENCE
802 OCEAN AVE. PORTLAND, MAINE 04103

CEILING
DETAILS

DATE
8/28/2015

REVISED DATE

SHEET
A4.9

6/3/2017