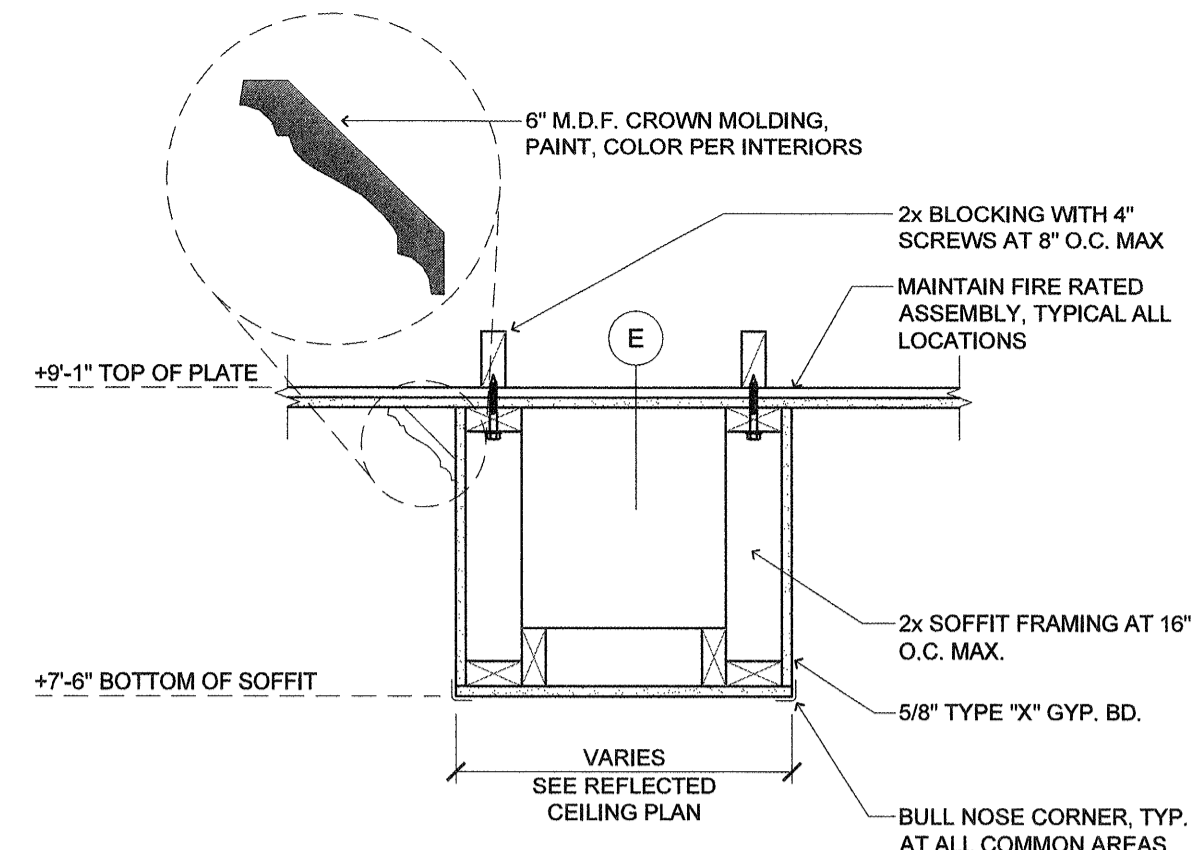
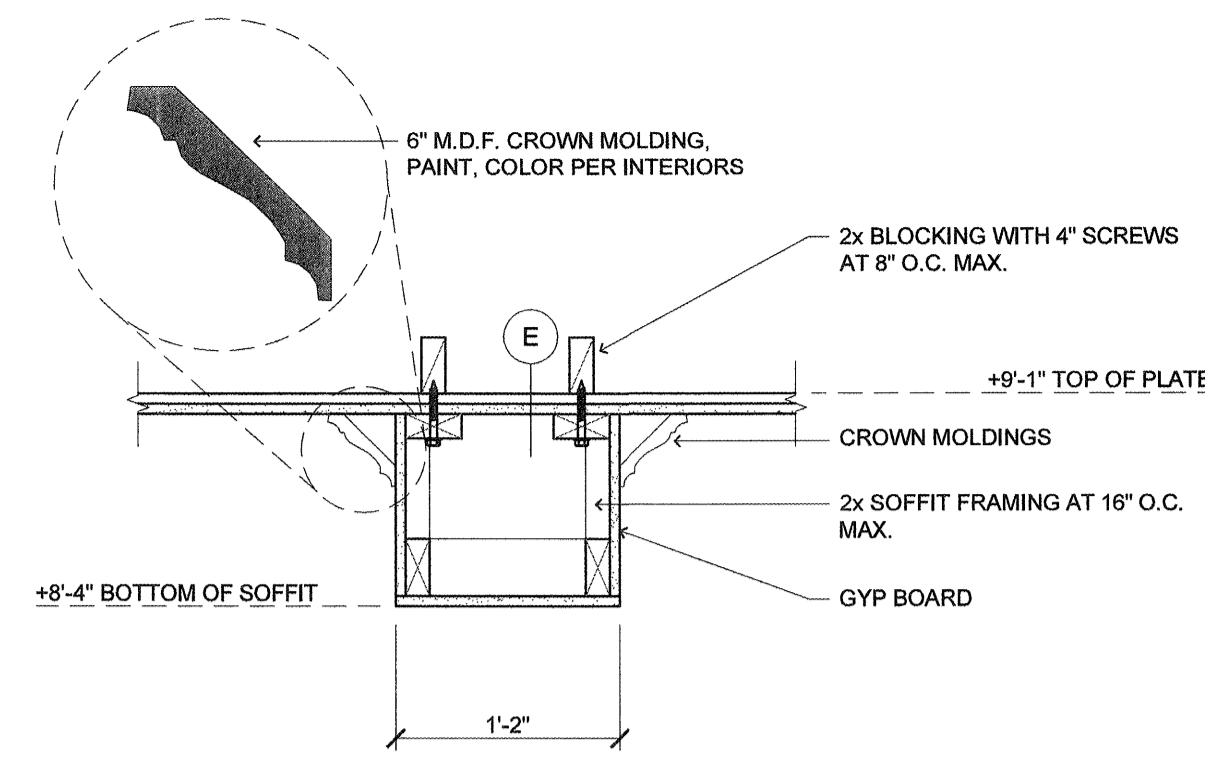


15 SOFFIT DETAIL (BISTRO)
SCALE: 1"=1'-0"



11 SOFFIT DETAIL (BISTRO)
SCALE: 1"=1'-0"



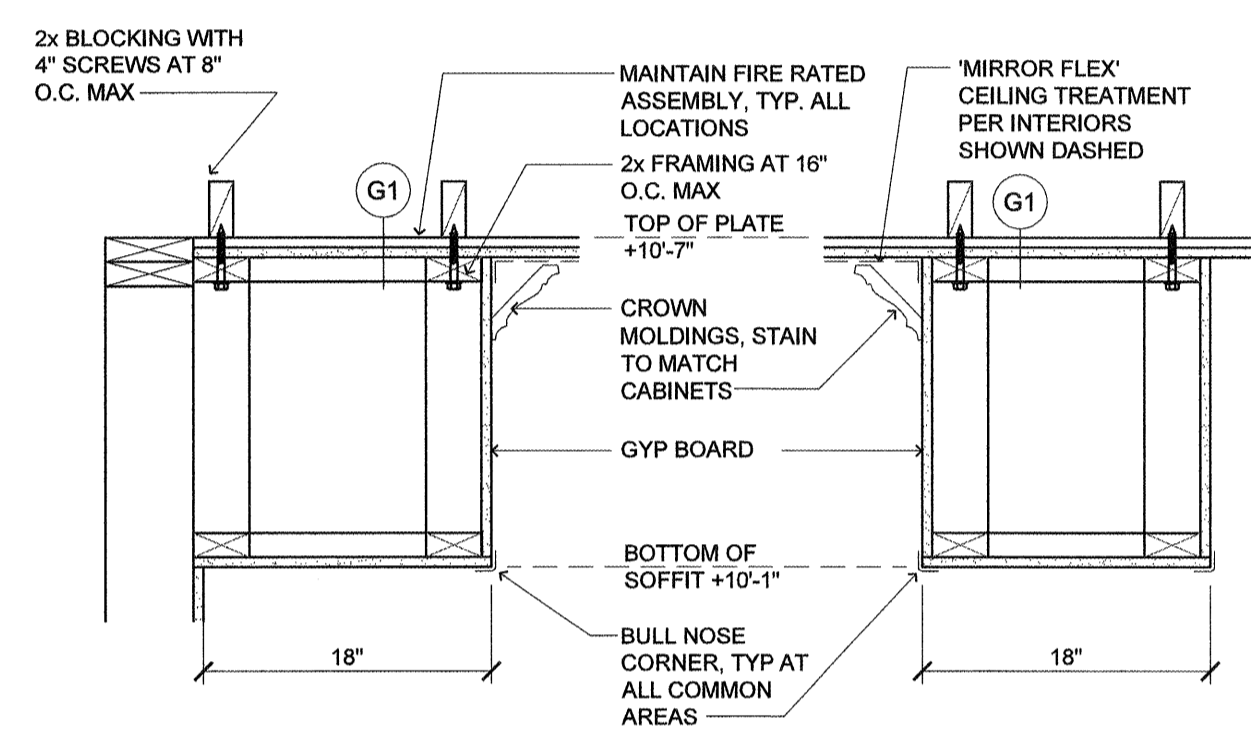
7 COFFERED CEILING (DINING ROOM)
SCALE: 1"=1'-0"

NOTE: DIMENSIONS OF SOFFITS ON 1ST FLOOR ARE TAKEN FROM FINISH FLOOR. DIMENSIONS OF SOFFITS ON 2ND FLOOR AND ABOVE ARE TAKEN FROM TOP OF PLYWOOD.

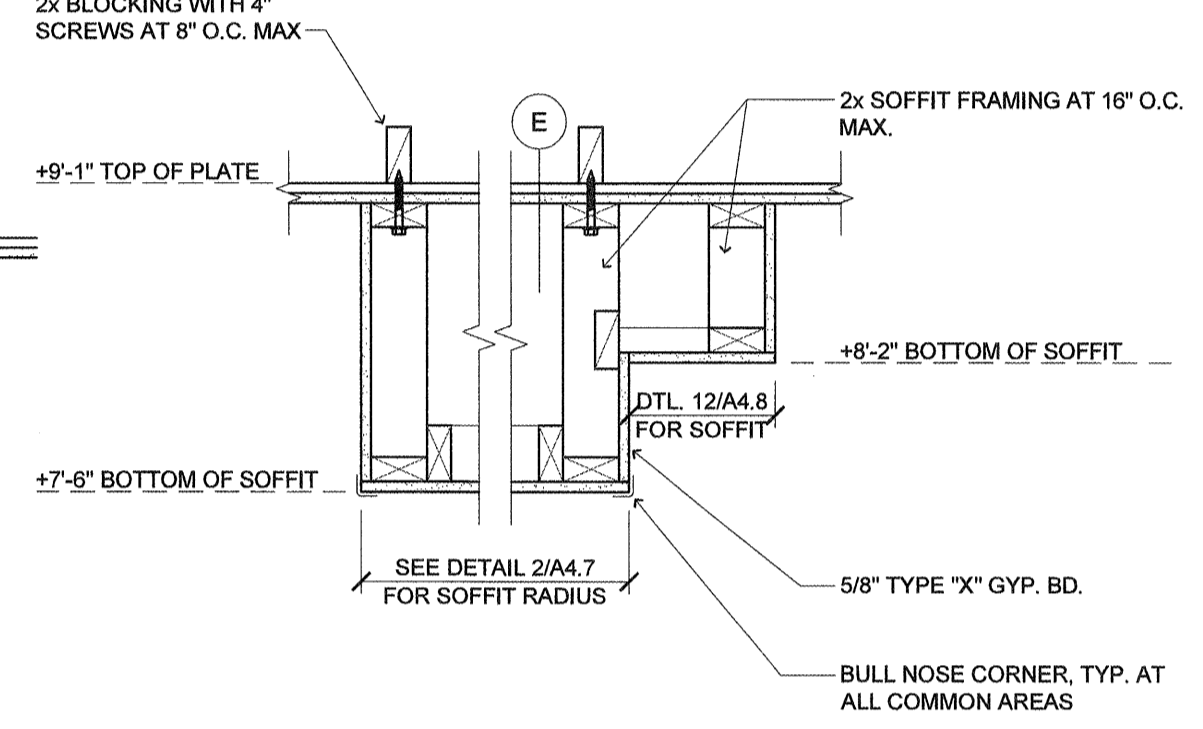
NOTE: SOFFITS CAN BE FRAMED USING METAL STUDS, CONTRACTORS OPTION.

NOTE: 2x BLOCKING MIN. CONTINUOUS FULL LENGTH OF SOFFIT. ATTACH SOFFIT FRAMING WITH 4" SCREWS AT 8" O.C. MAX.

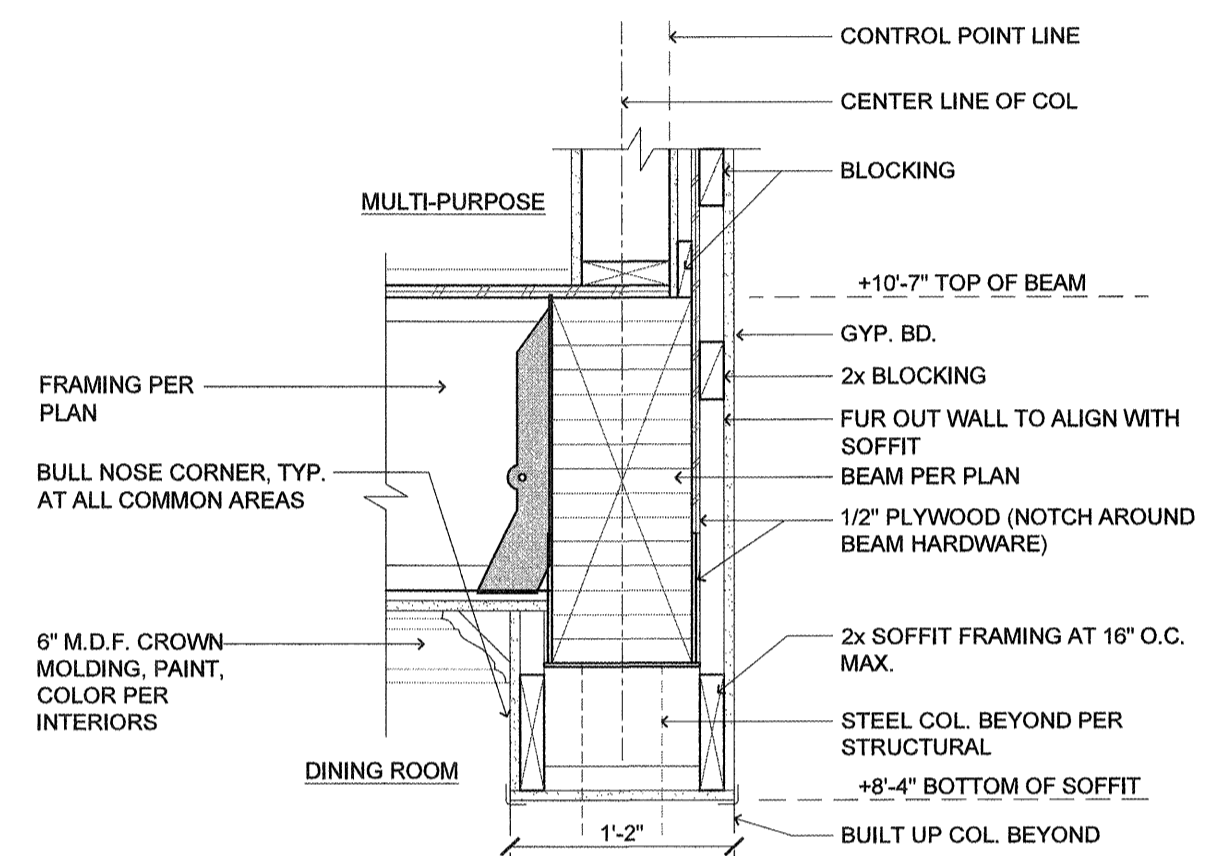
NOTE: WHERE POSSIBLE, PROVIDE DIAGONAL BLOCKING IN SOFFITS WIDER THAN 18".



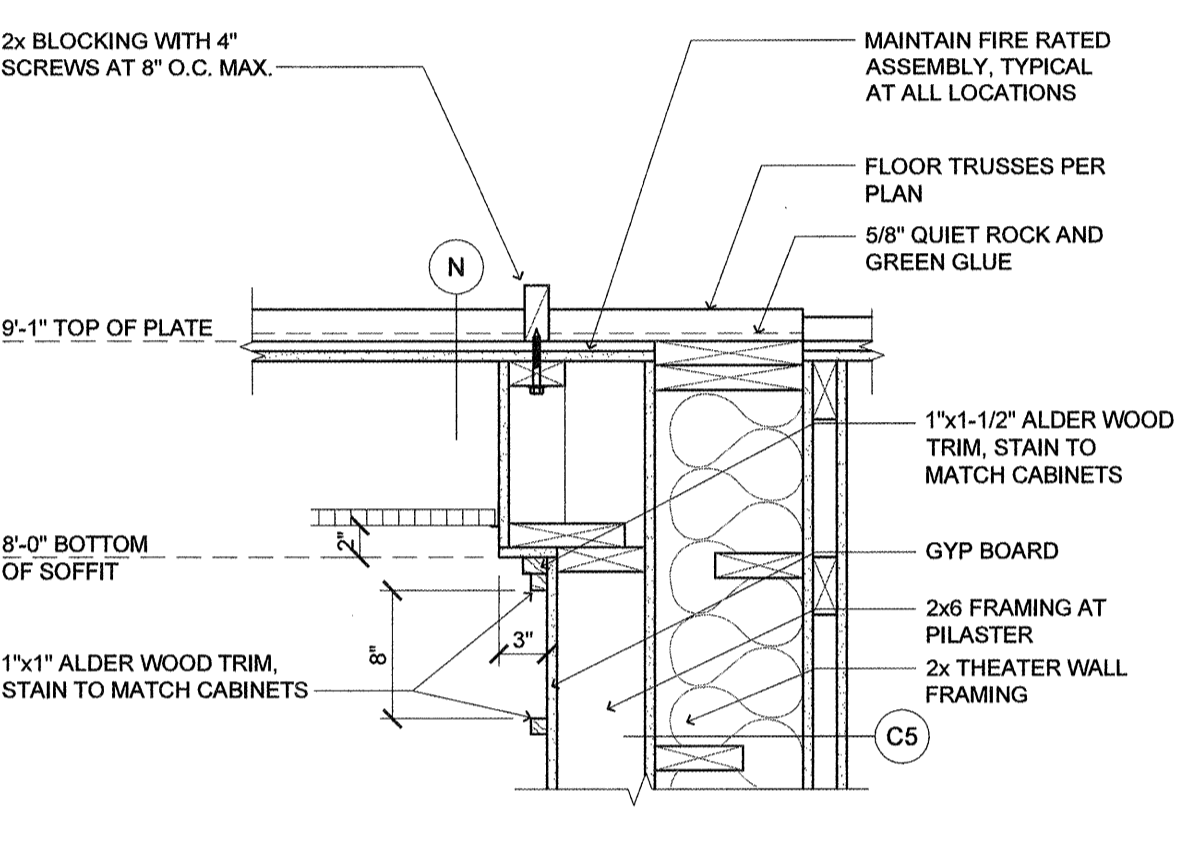
14 SOFFIT DETAIL (ACTIVITY)
SCALE: 1"=1'-0"



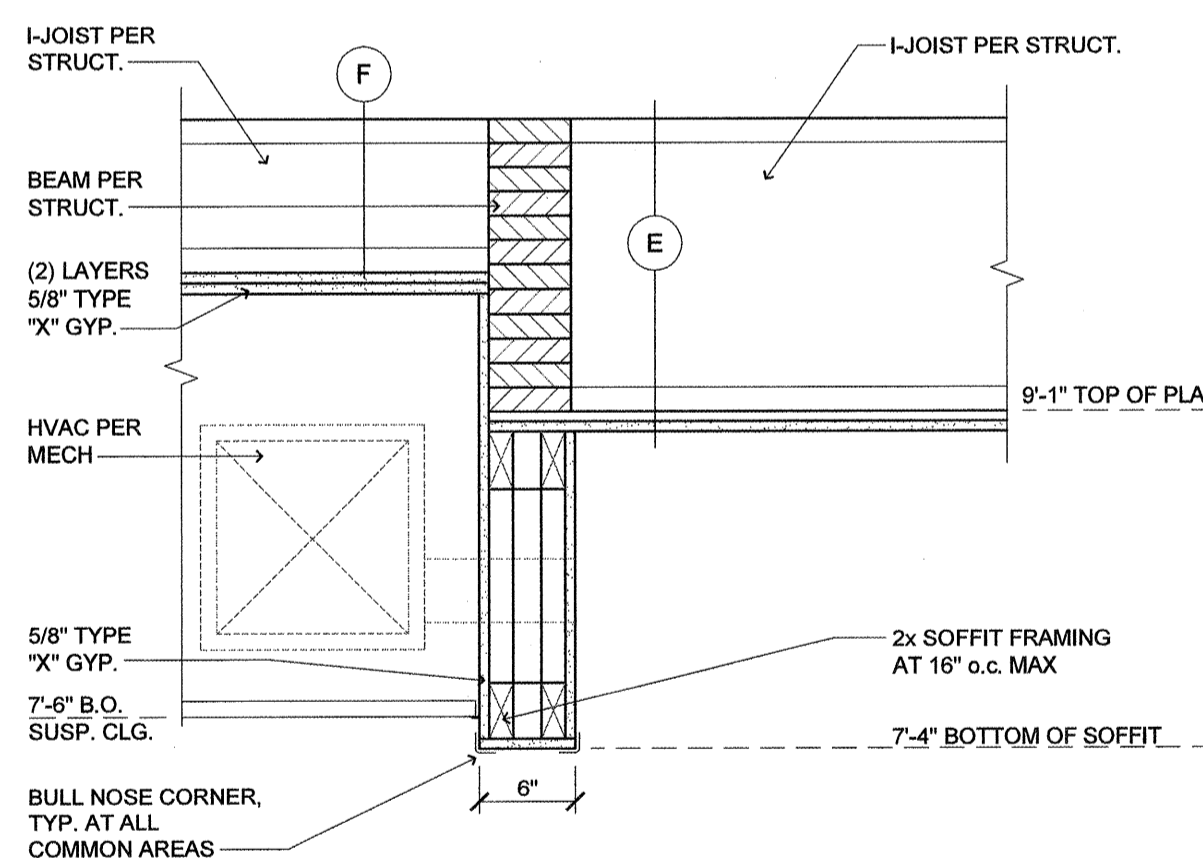
10 SOFFIT DETAIL (BISTRO)
SCALE: 1"=1'-0"



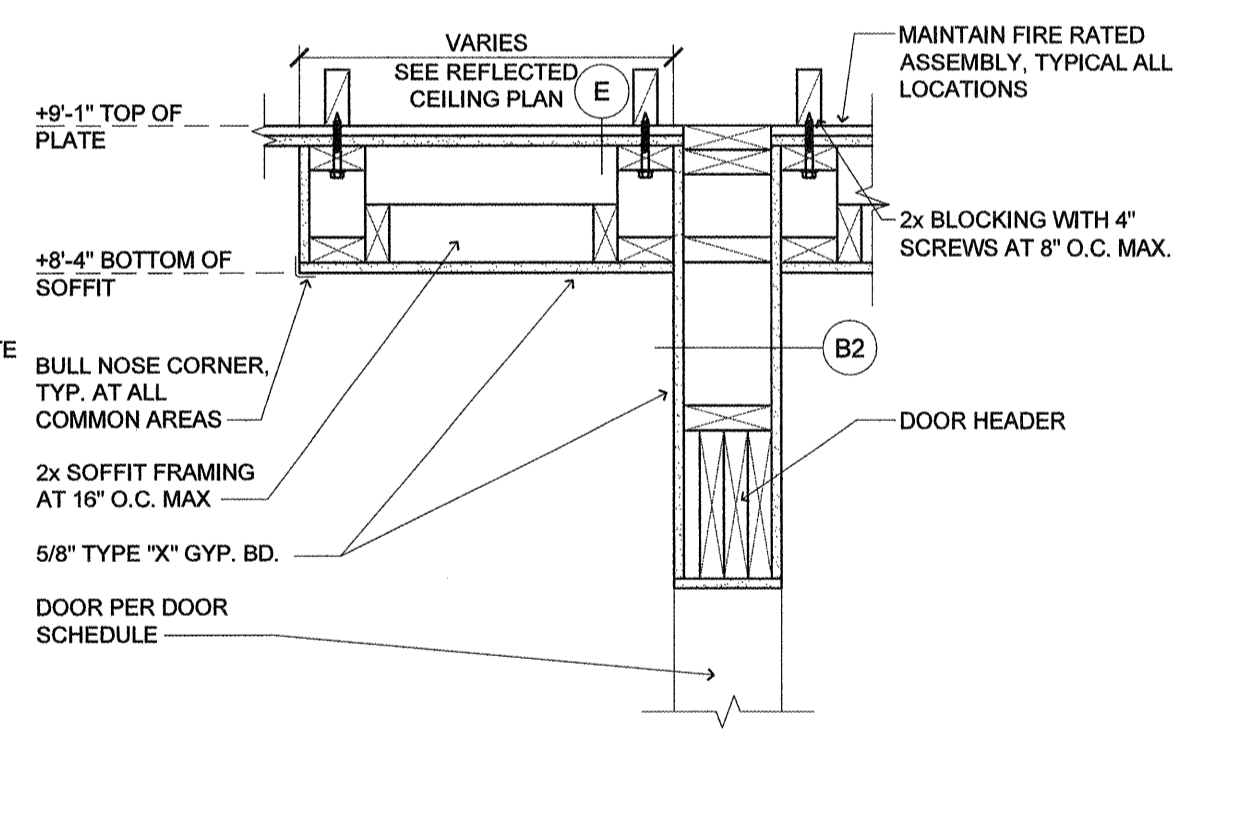
6 COFFERED CEILING (DINING ROOM)
SCALE: 1"=1'-0"



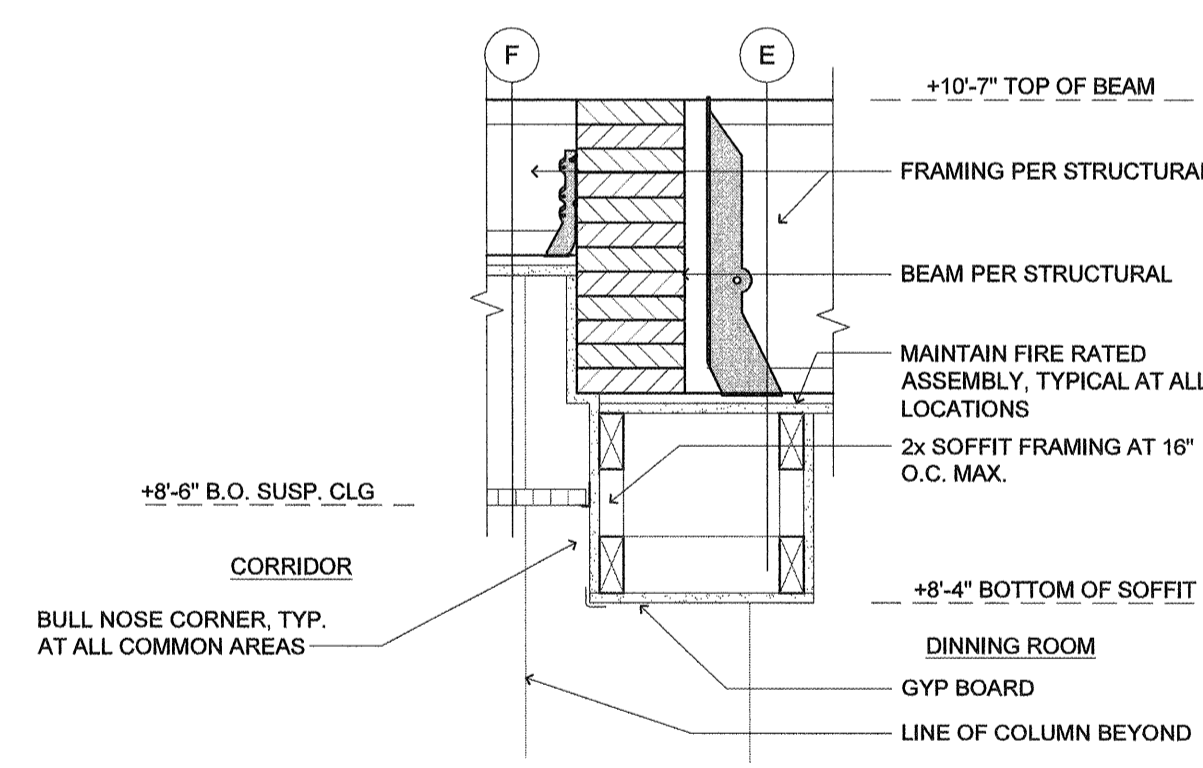
3 PILASTER (AT MEDIA ROOM)
SCALE: 1"=1'-0"



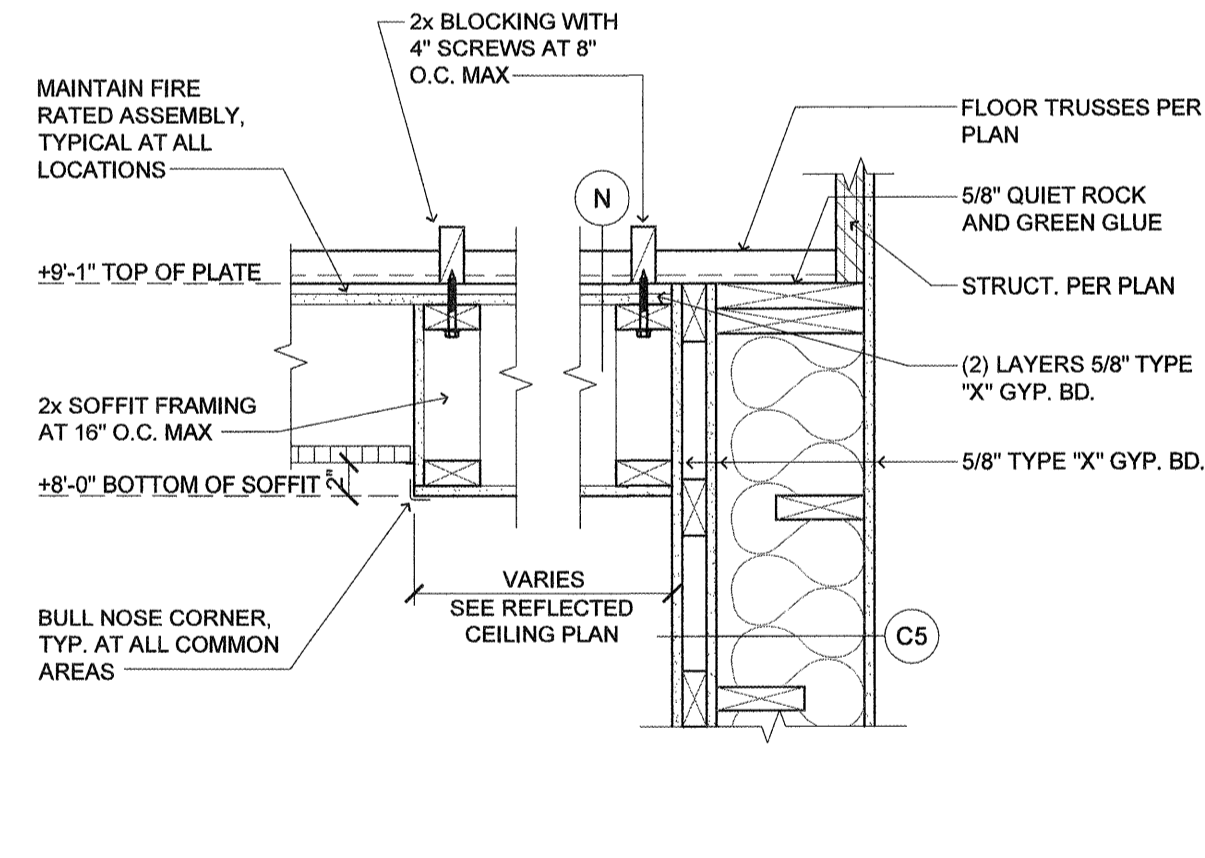
17 SOFFIT DETAIL (TV ROOM)
SCALE: 1"=1'-0"



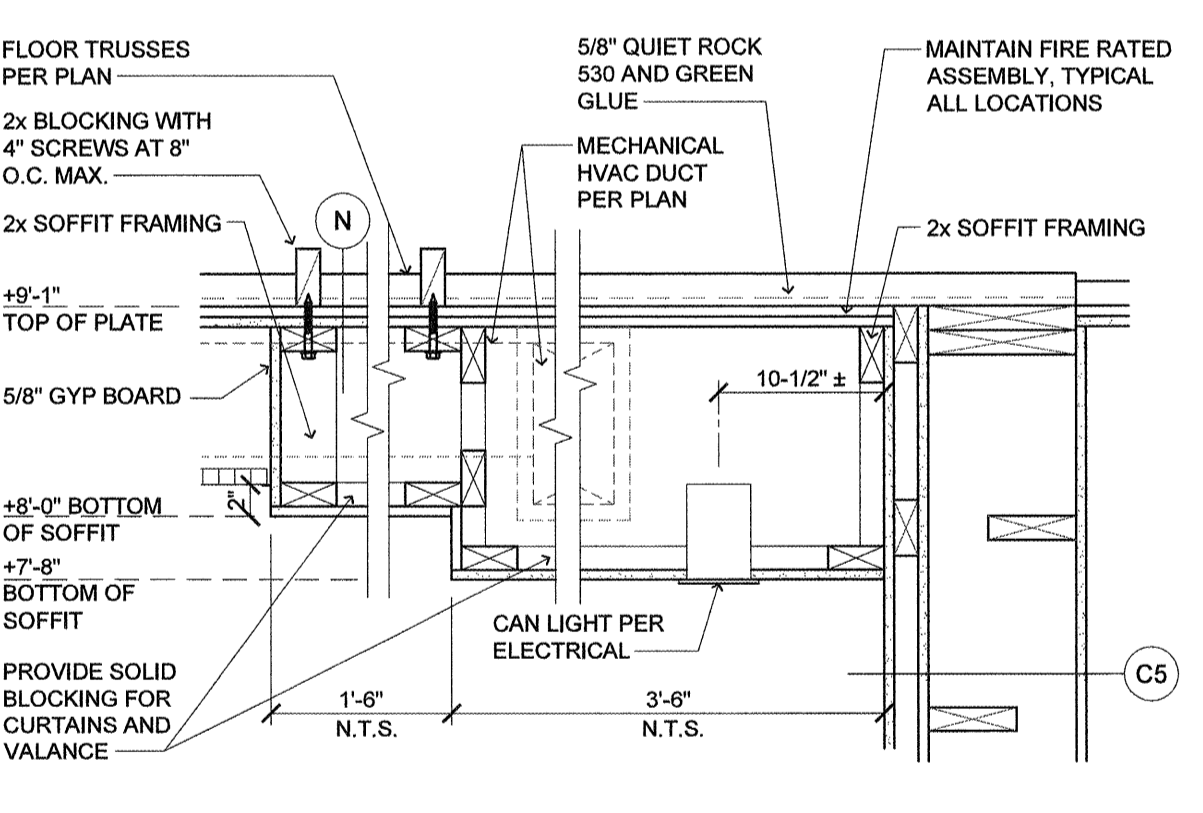
13 SOFFIT DETAIL (BISTRO)
SCALE: 1"=1'-0"



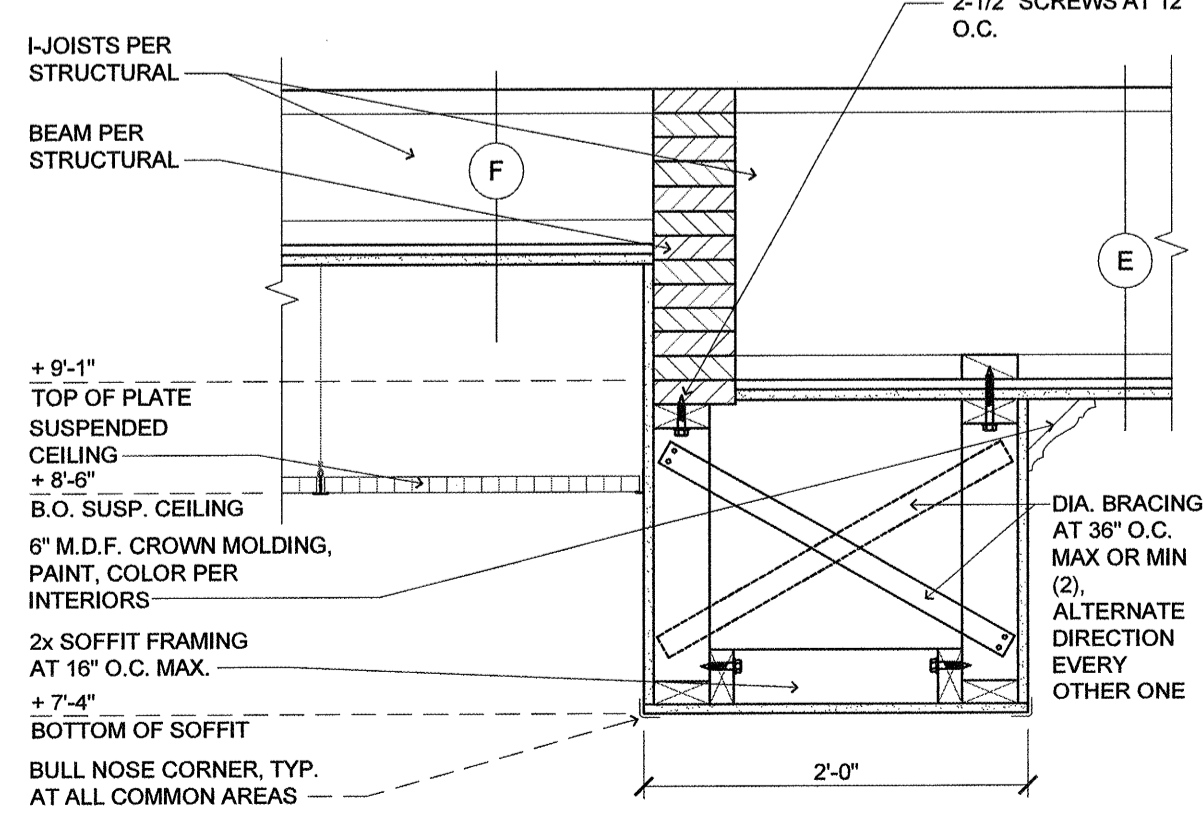
9 COFFERED CEILING (DINING ROOM / CORRIDOR)
SCALE: 1"=1'-0"



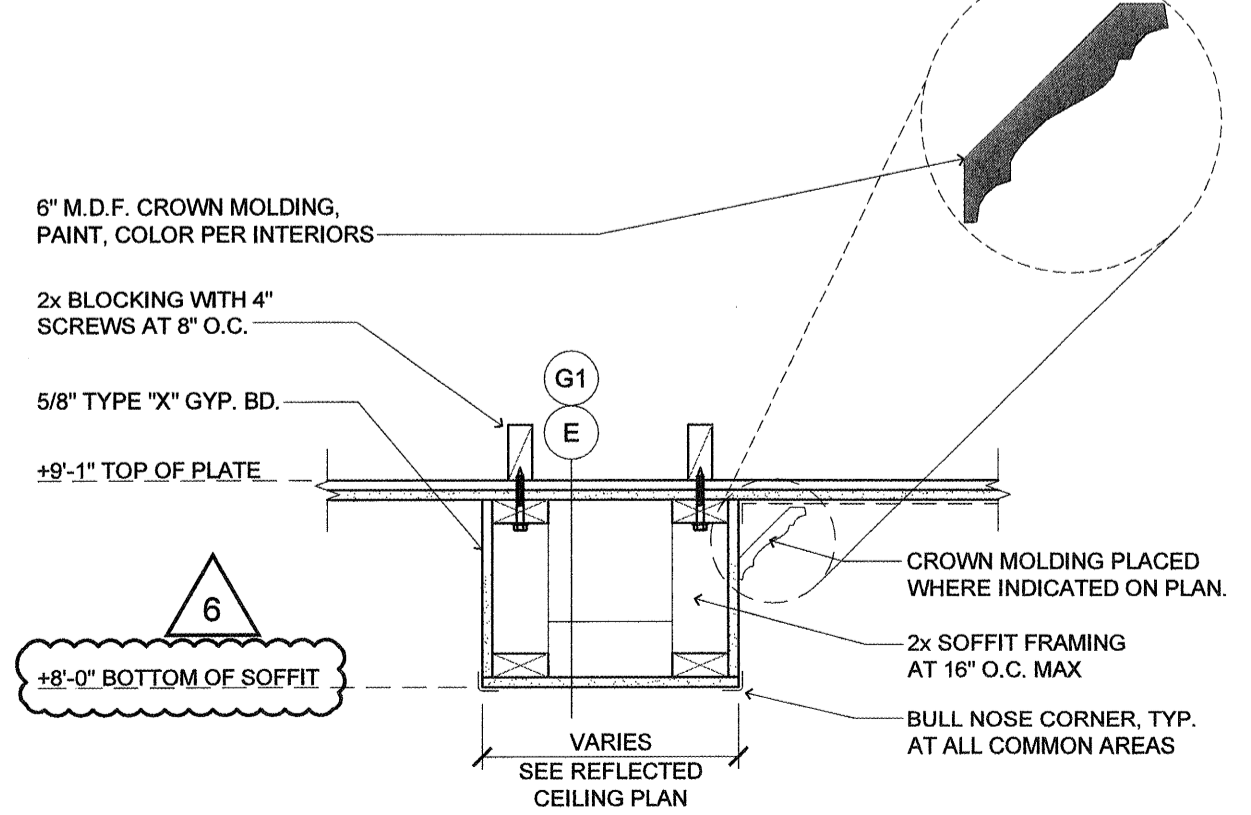
5 COFFERED CEILING (MEDIA ROOM OVER CABINETS)
SCALE: 1"=1'-0"



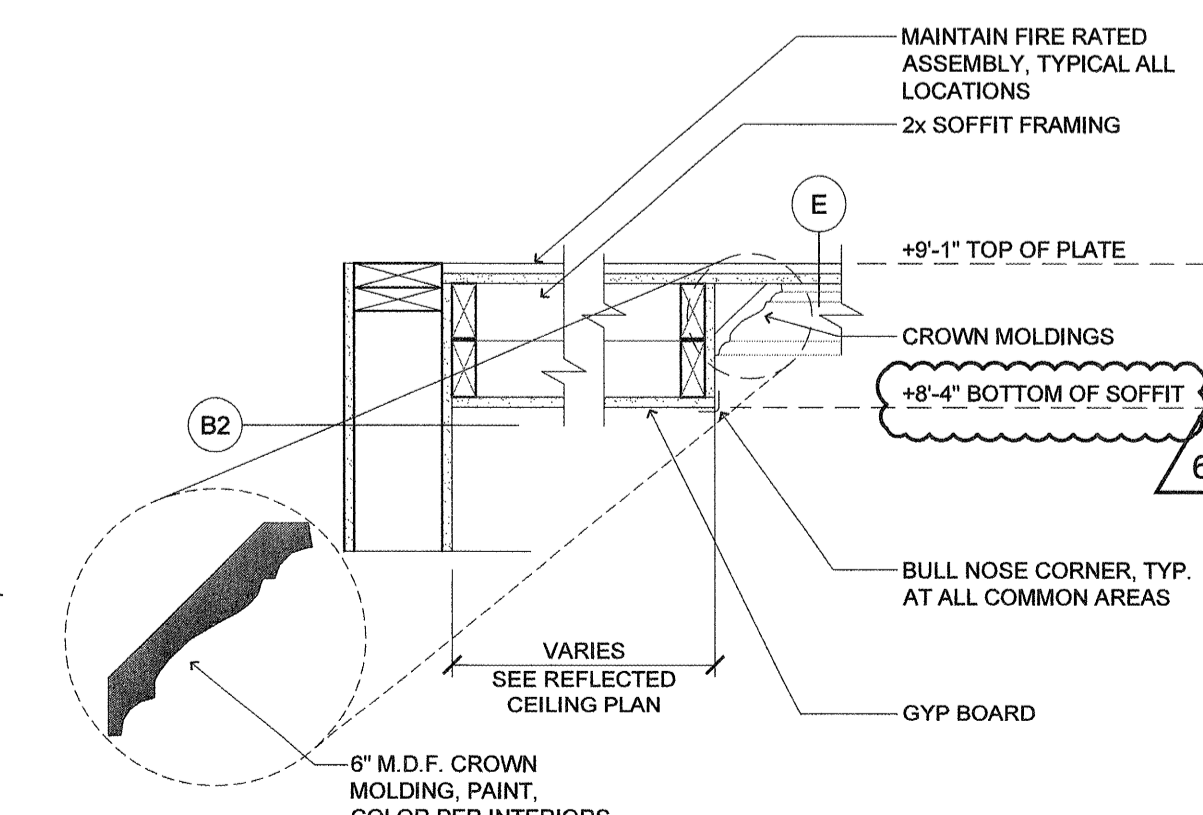
2 COFFERED CEILING (MEDIA ROOM CEILING EDGE)
SCALE: 1"=1'-0"



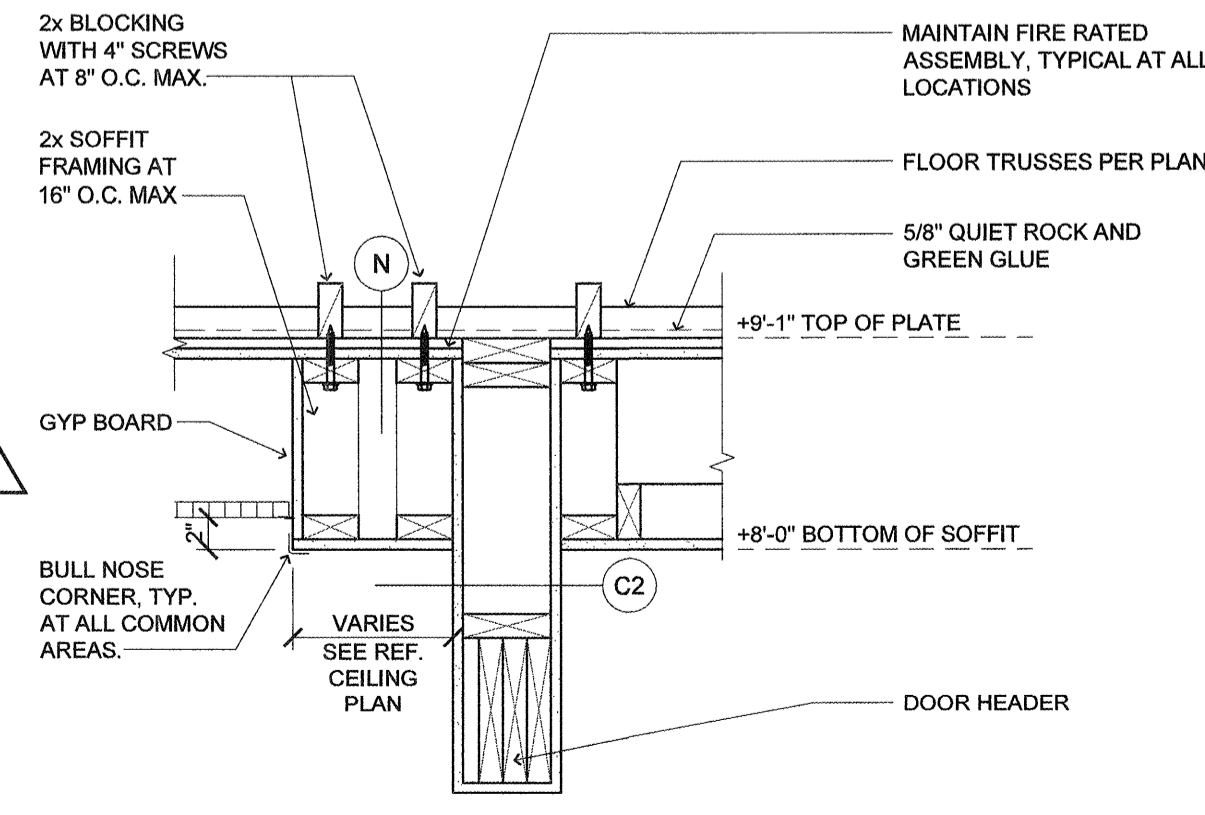
16 SOFFIT DETAIL (MULTIPURPOSE)
SCALE: 1"=1'-0"



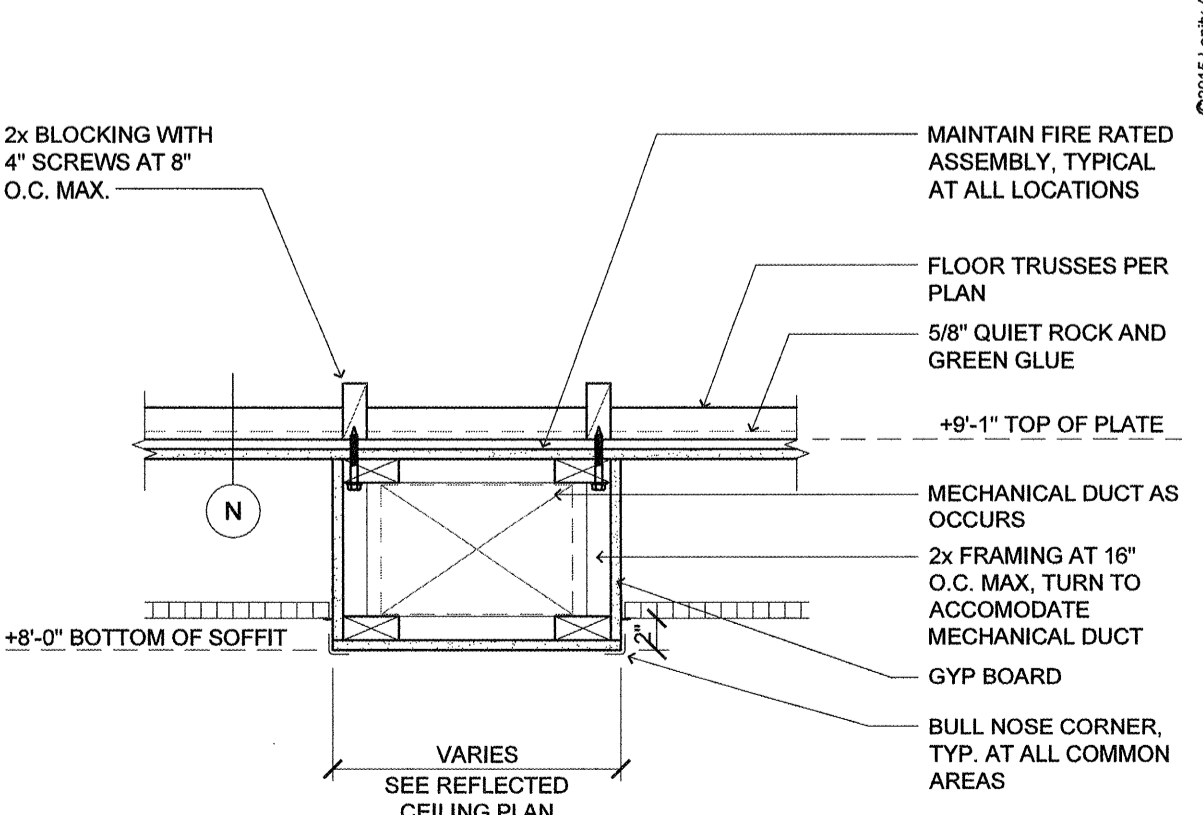
12 SOFFIT DETAIL (BISTRO)
SCALE: 1"=1'-0"



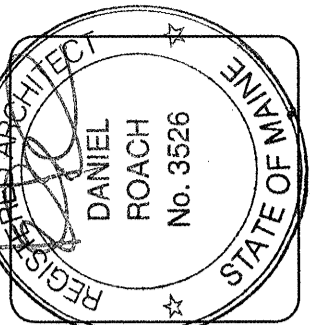
8 COFFERED CEILING (DINING ROOM)
SCALE: 1"=1'-0"



4 COFFERED CEILING (MEDIA ROOM AT DOOR)
SCALE: 1"=1'-0"



1 COFFERED CEILING (MEDIA ROOM CEILING MID SPAN)
SCALE: 1"=1'-0"



lenity architecture
350 Kettle Court SE, Salem, Oregon 97301
P: 503 399 0580 F: 503 399 0585 W: lenityarchitecture.com

COLSON AND COLSON
GENERAL CONTRACTOR, INC.
22860 MCGILCHRIST STREET SE, SUITE 200
SALEM, OREGON 97302
PHONE (503) 586-7401

PORTLAND RETIREMENT RESIDENCE
802 OCEAN AVE., PORTLAND, MAINE 04103

CEILING DETAILS

DATE: 8/28/2015

REVISED DATE:

SHEET

A4.8

DATE: 8/31/2017