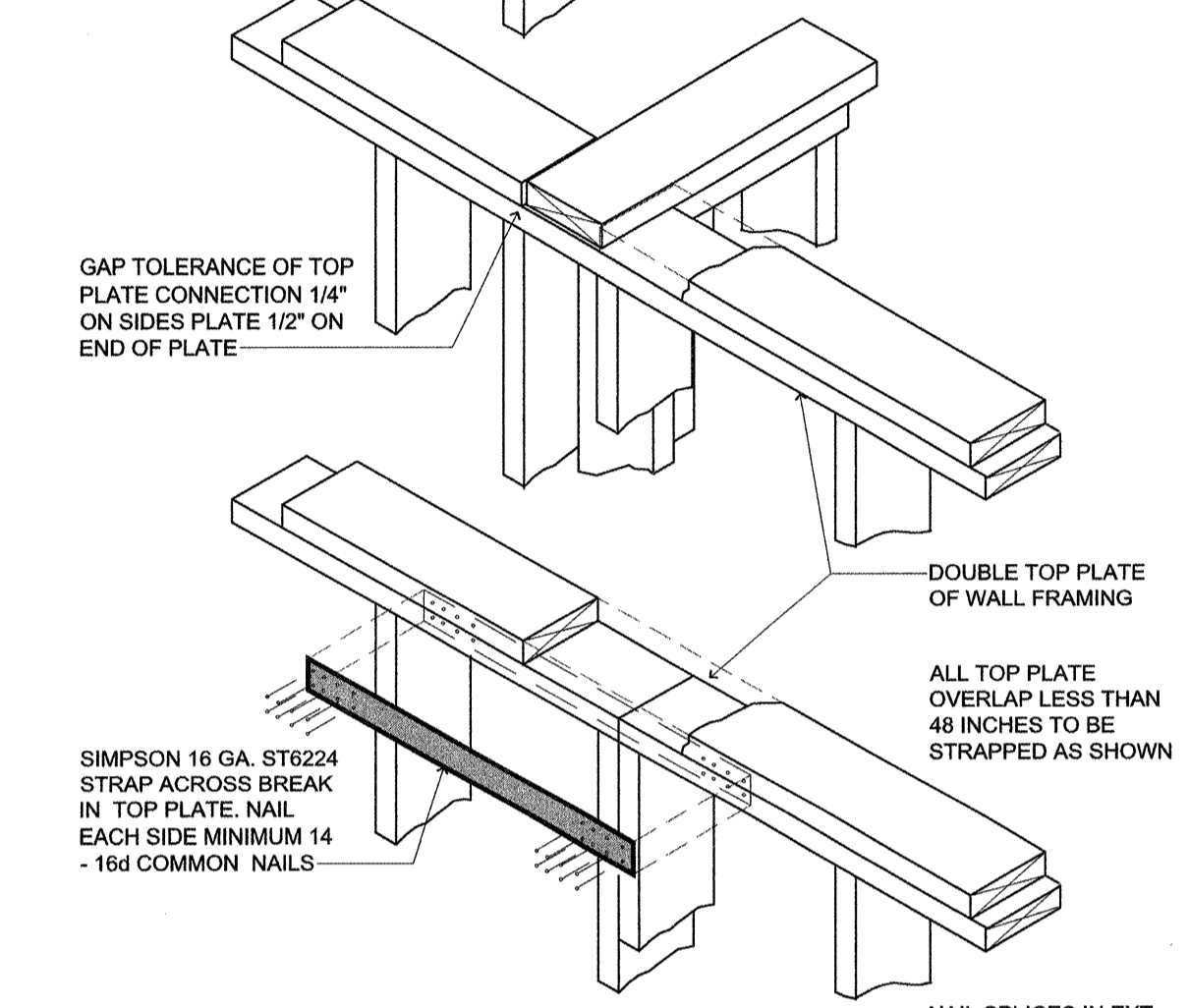
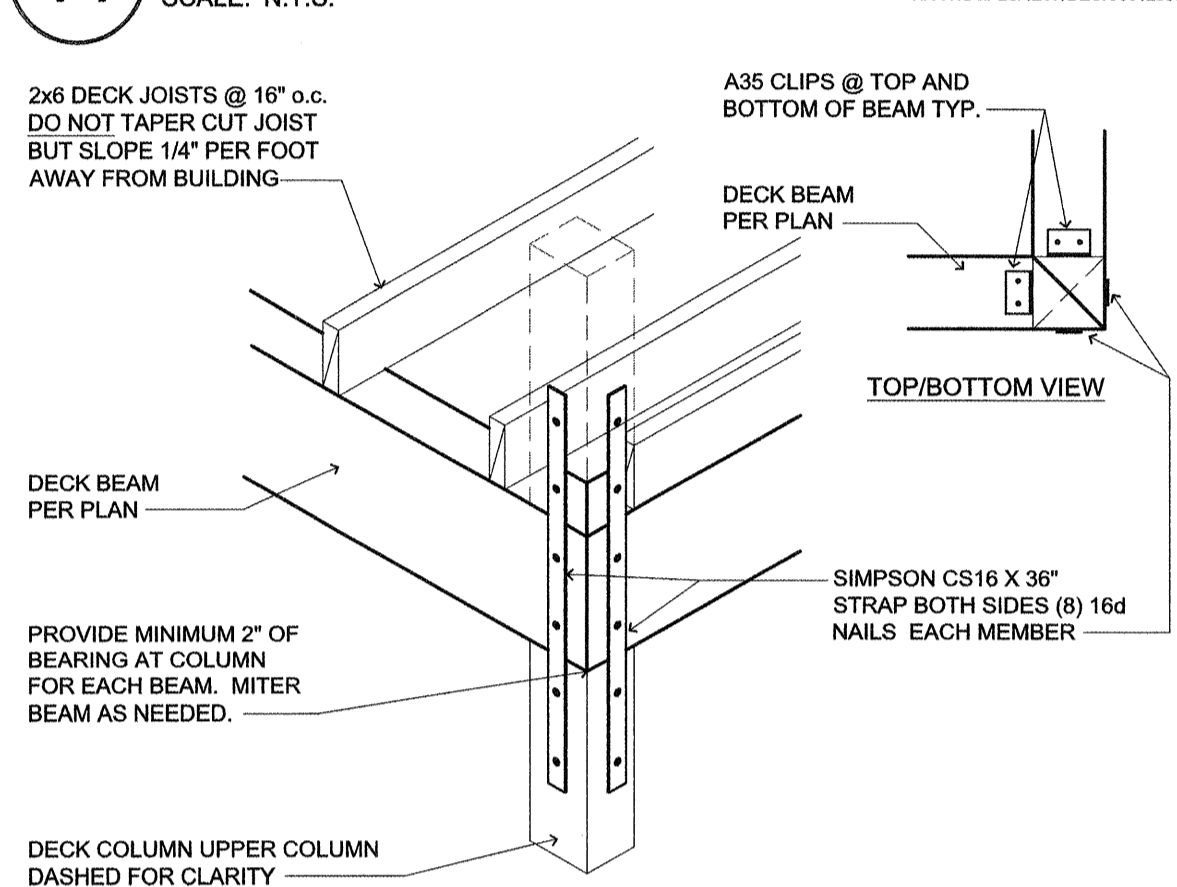


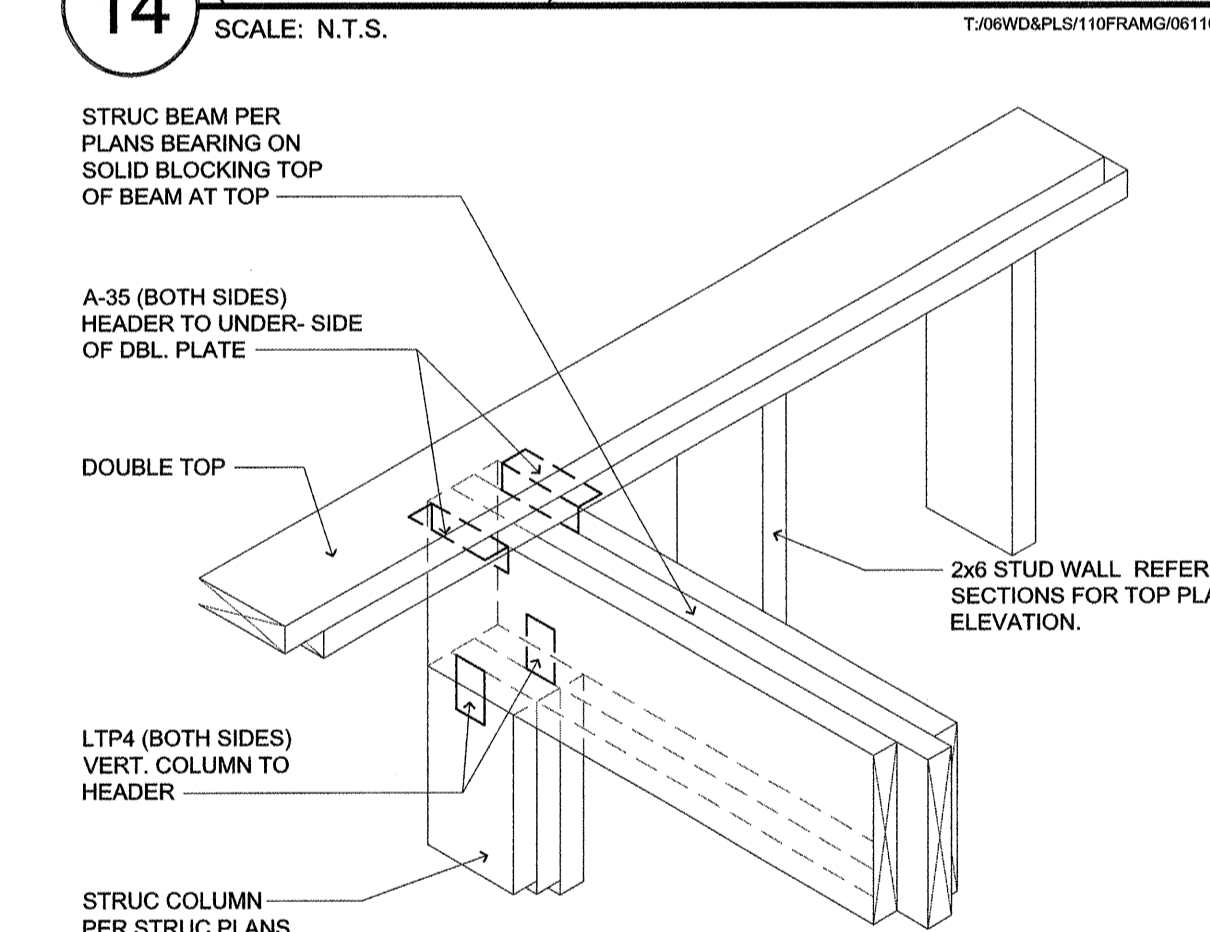
**11 DECK BEAM (FRAMING DETAIL)**  
SCALE: N.T.S.



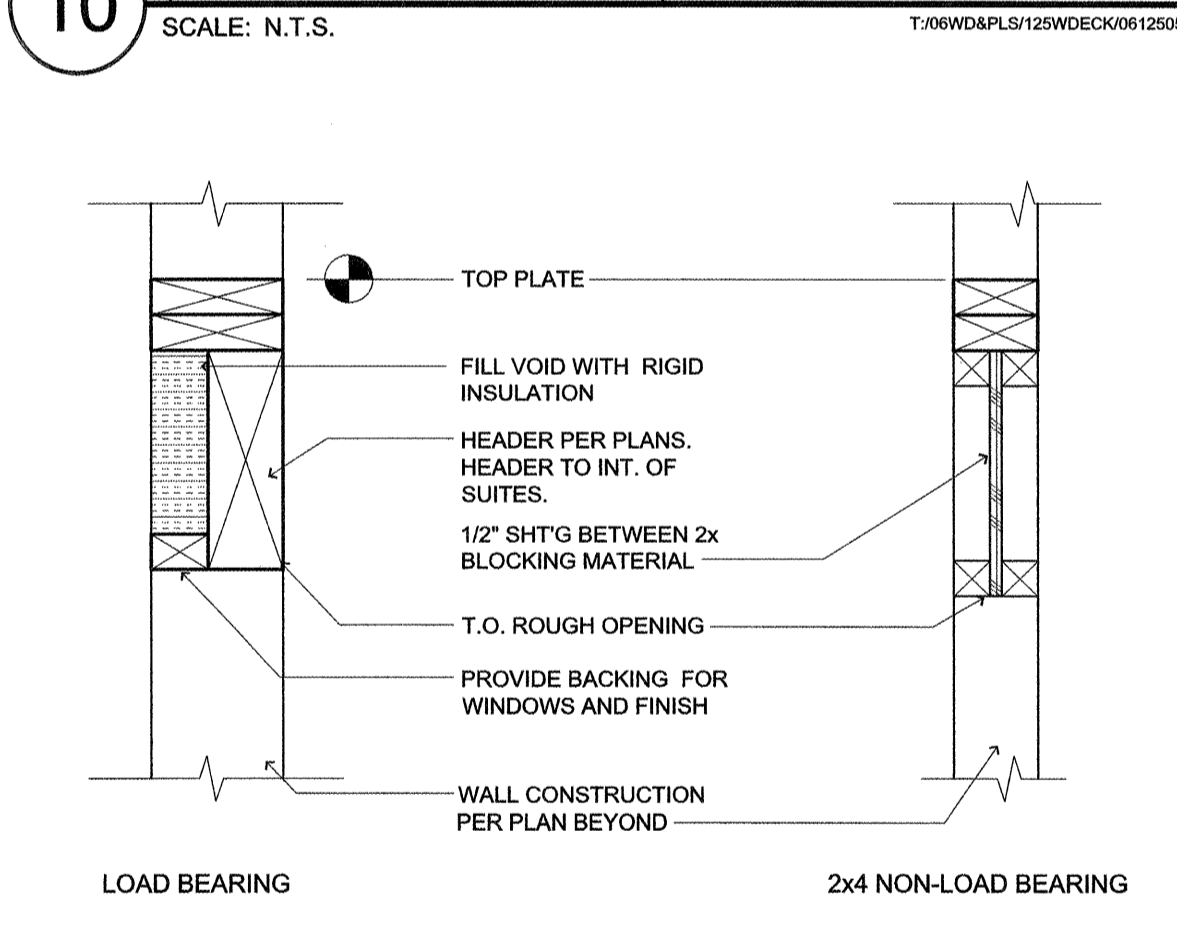
**14 TOP PLATE CONNECTION (PLATE CONTINUITY)**  
SCALE: N.T.S.



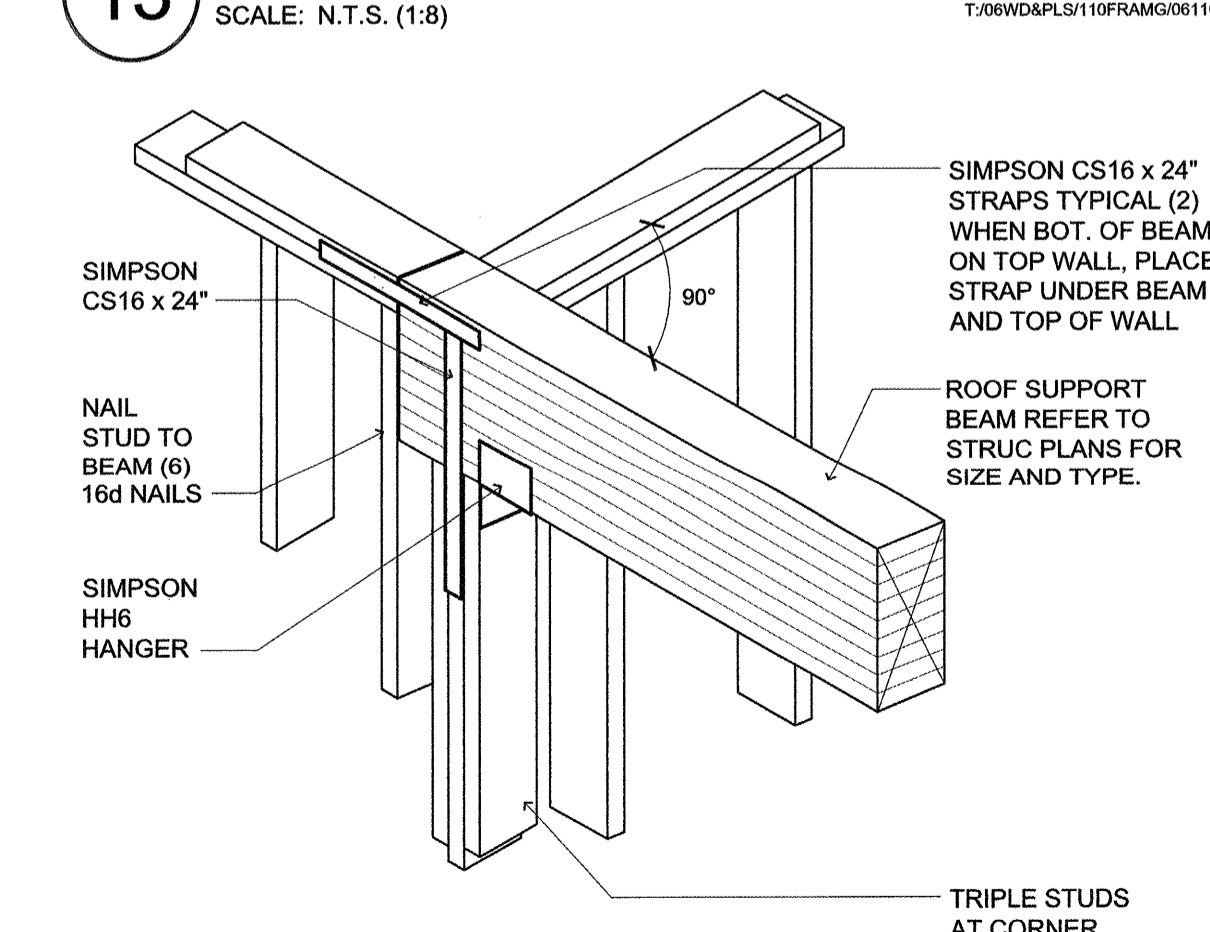
**10 DECK BEAM/COLUMN INTERSECTION (TYPICAL OF WING END UNITS)**  
SCALE: N.T.S.



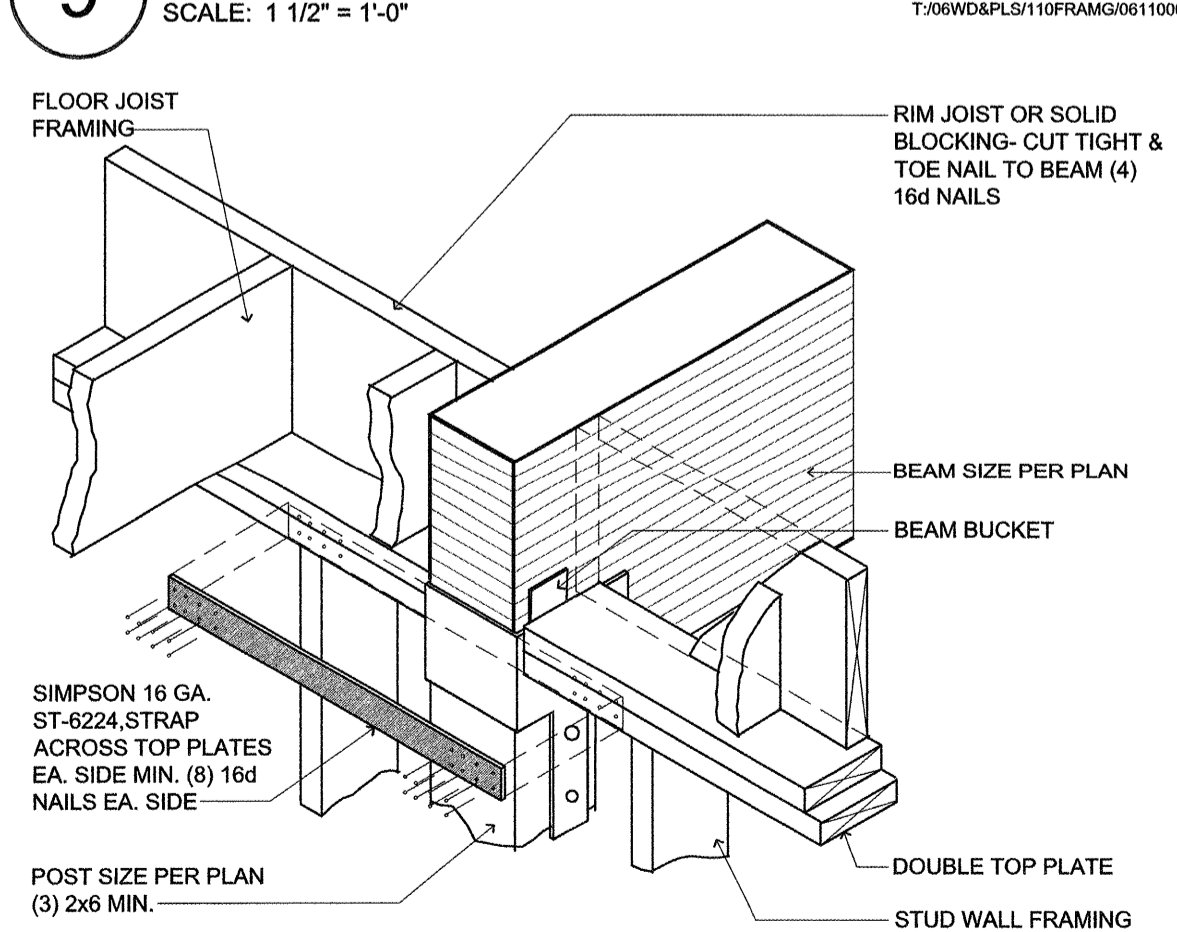
**13 CONNECTION DETAIL (FRAMING BEAM INTO STUD WALL)**  
SCALE: N.T.S. (1:8)



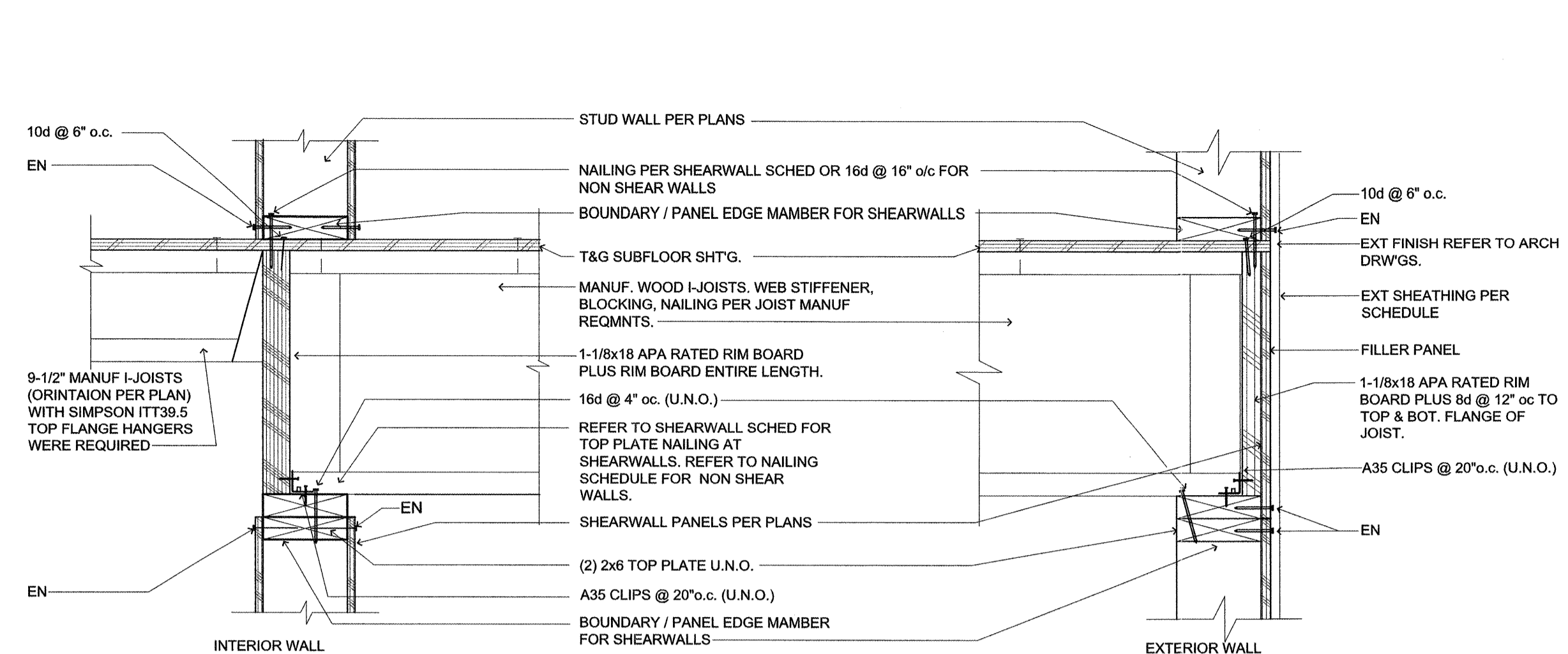
**9 FRAMING DETAIL (INSULATED HEADER)**  
SCALE: 1 1/2\"/>



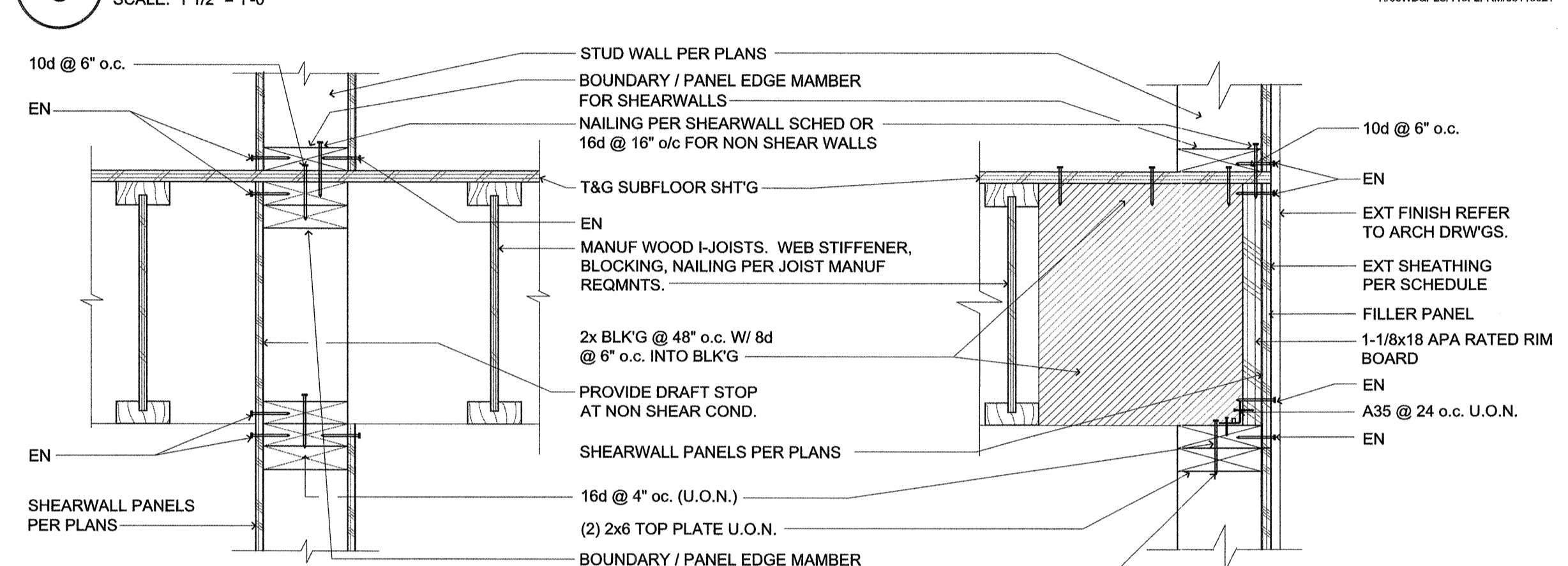
**12 SUPPORT BEAM (EXTERIOR WALL)**  
SCALE: N.T.S. (1:8)



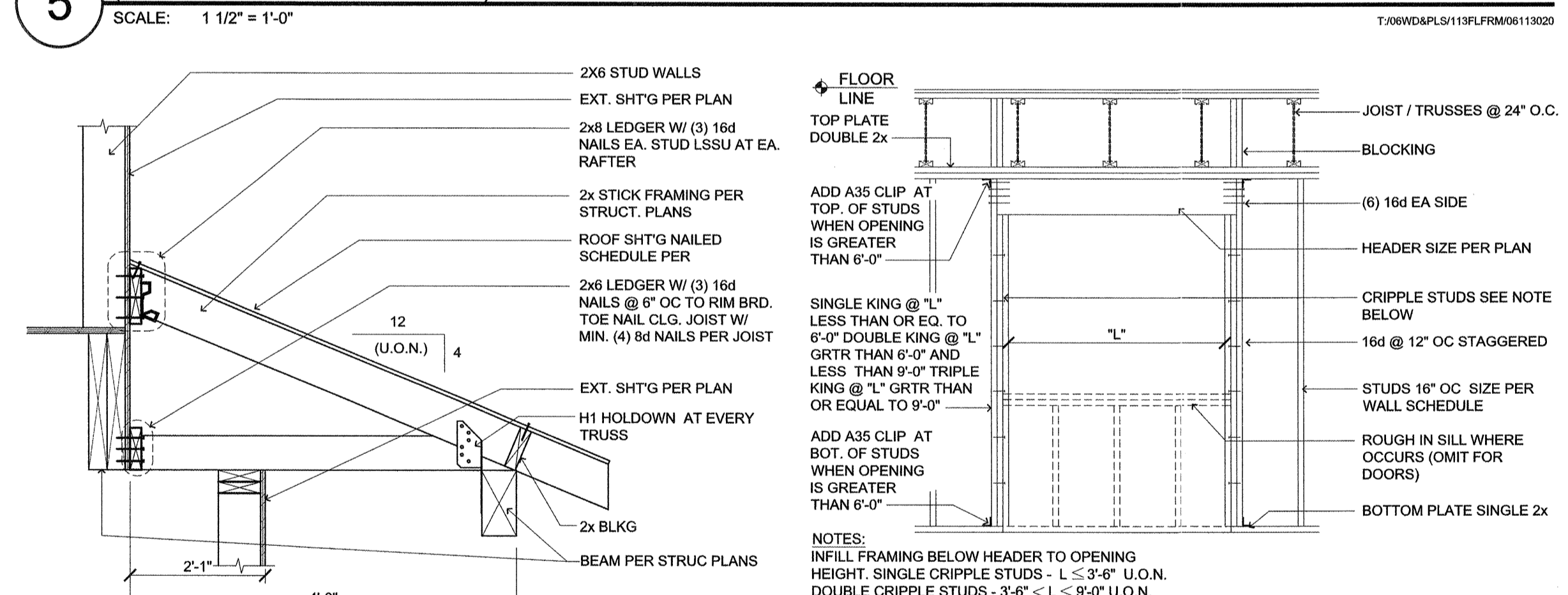
**8 BEAM CONNECTION (FRAMING TO WALL)**  
SCALE: N.T.S. (1:12)



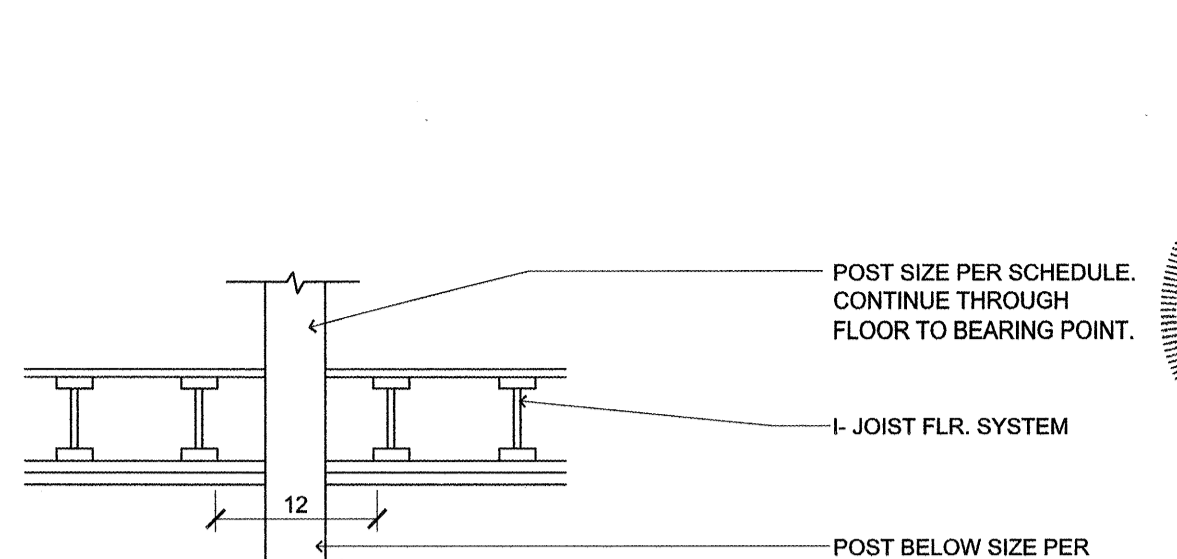
**6 WALL / FLOOR INTERSECTION (MANUF. JOIST PERPENDICULAR TO WALL)**  
SCALE: 1 1/2\"/>



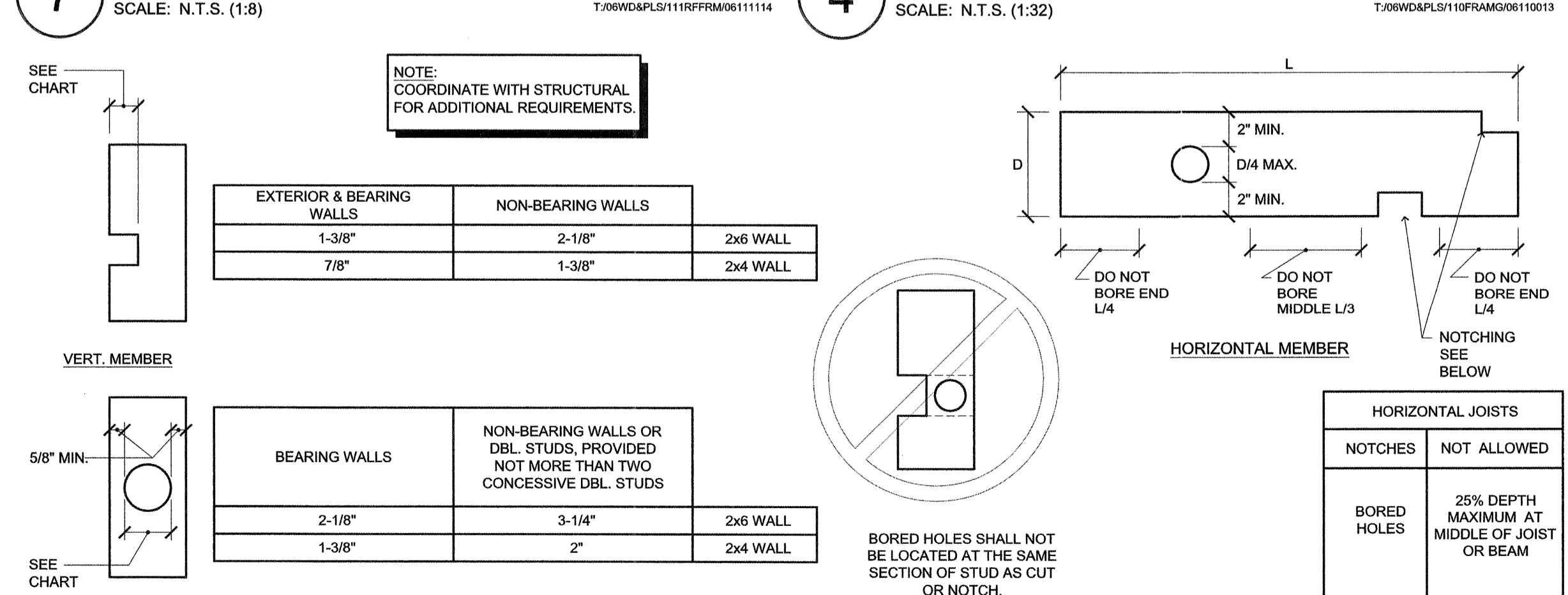
**5 WALL / FLOOR INTERSECTION (MANUF. JOIST PARALLEL TO WALL)**  
SCALE: 1 1/2\"/>



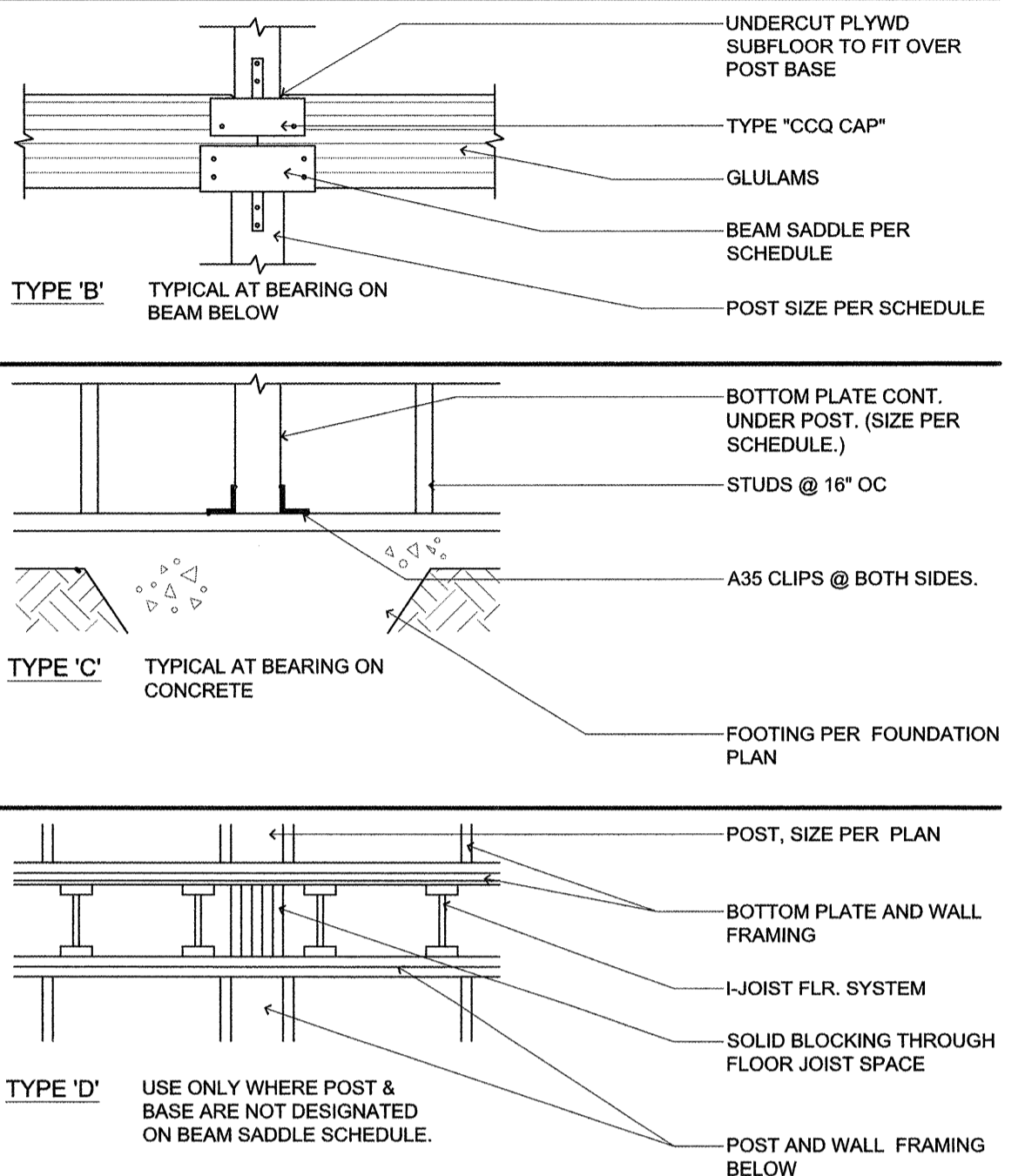
**7 WING EXIT CANOPY (TYPICAL CORRIDOR EXITS)**  
SCALE: N.T.S. (1:8)



**2 FRAMING DETAIL (WOOD POST BASE DETAILS)**  
SCALE: N.T.S. (1:8)



**4 FRAMING DETAIL (TYPICAL WALL FRAMING)**  
SCALE: N.T.S. (1:32)



**1 INSTALLATION DETAIL (JOIST ALLOWABLE HOLE CHART)**  
SCALE: NOT TO SCALE

**ALLOWABLE HOLES CHART**

MINIMUM DISTANCE FROM TABLE A TO JOIST SERIES JOISTS MAY BE ORIENTED WITH KNOCKOUTS AT TOP OR BOTTOM.

1 1/2\"/>

**Table A - End Support**  
Minimum distance from edge of hole to inside face of nearest end support

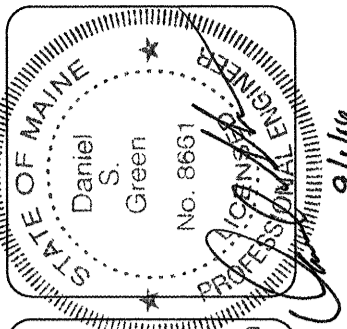
Joist Depth	Joist Series	Round Hole Size									
		2"	4"	6"	8"	10"	12"	14"	16"	18"	20"
		Square or Rectangular Hole Size									
9 1/2"	145 / 165	1'-6"	1'-6"	3'-0"	3'-0"	-	-	-	-	-	-
18"	190 / 190H	1'-0"	1'-0"	2'-6"	5'-0"	7'-0"	9'-6"	12'-6"	-	-	-

**Table B - Intermediate or Cantilever Support**  
Minimum distance from edge of hole to inside face of nearest intermediate or cantilever support

Joist Depth	Joist Series	Round Hole Size									
		2"	4"	6"	8"	10"	12"	14"	16"	18"	20"
		Square or Rectangular Hole Size									
9 1/2"	145 / 165	1'-6"	1'-6"	4'-0"	6'-6"	-	-	-	-	-	-
18"	190 / 190H	1'-0"	1'-0"	2'-6"	5'-6"	9'-0"	12'-6"	17'-0"	-	-	-

**ALLOWABLE HOLES (SOLID WOOD FRAMING MEMBERS ONLY)**  
SCALE: N.T.S. (1:4)

WALL TYPE	WALL THICKNESS	ALLOWABLE HOLE SIZE
EXTERIOR & BEARING WALLS	2-1/8"	2-1/8"
	7/8"	1-3/8"
NON-BEARING WALLS	2-1/8"	2x6 WALL
	1-3/8"	2x4 WALL
BEARING WALLS	2-1/8"	NON-BEARING WALLS OR DBL STUDS, PROVIDED NOT MORE THAN TWO CONCESSIVE DBL STUDS
	1-3/8"	3-1/4"
HORIZONTAL JOISTS	NOTCHES	NOT ALLOWED
	BORED HOLES	25% DEPTH MAXIMUM AT MIDDLE OF JOIST OR BEAM



**lenity architecture**  
3150 Kettle Court SE, Salem, Oregon 97302  
P: 503.399.1090 F: 503.399.0585 W: lenityarchitecture.com

**COLSON AND COLSON GENERAL CONTRACTOR, INC.**  
2280 McGUICHRIST STREET SE, SUITE 200 SALEM, OREGON, 97302  
PHONE (503) 586-7401

**PORTLAND RETIREMENT RESIDENCE**  
802 OCEAN AVE. PORTLAND, MAINE 04103

**STRUCTURAL FRAMING DETAILS**

DATE: 8/28/2015  
REVISED DATE: 9/22/2015, 2/2/2016, 7/18/2016

SHEET S2.3