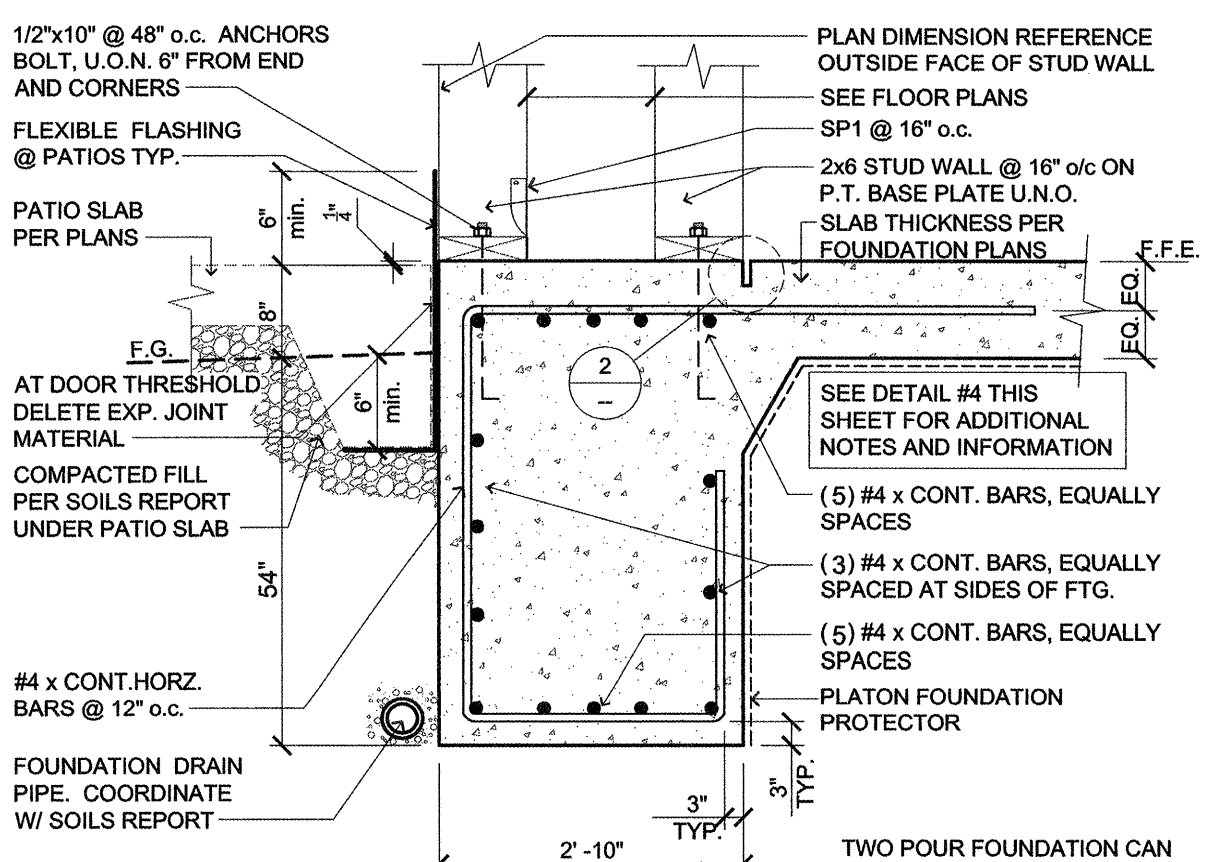
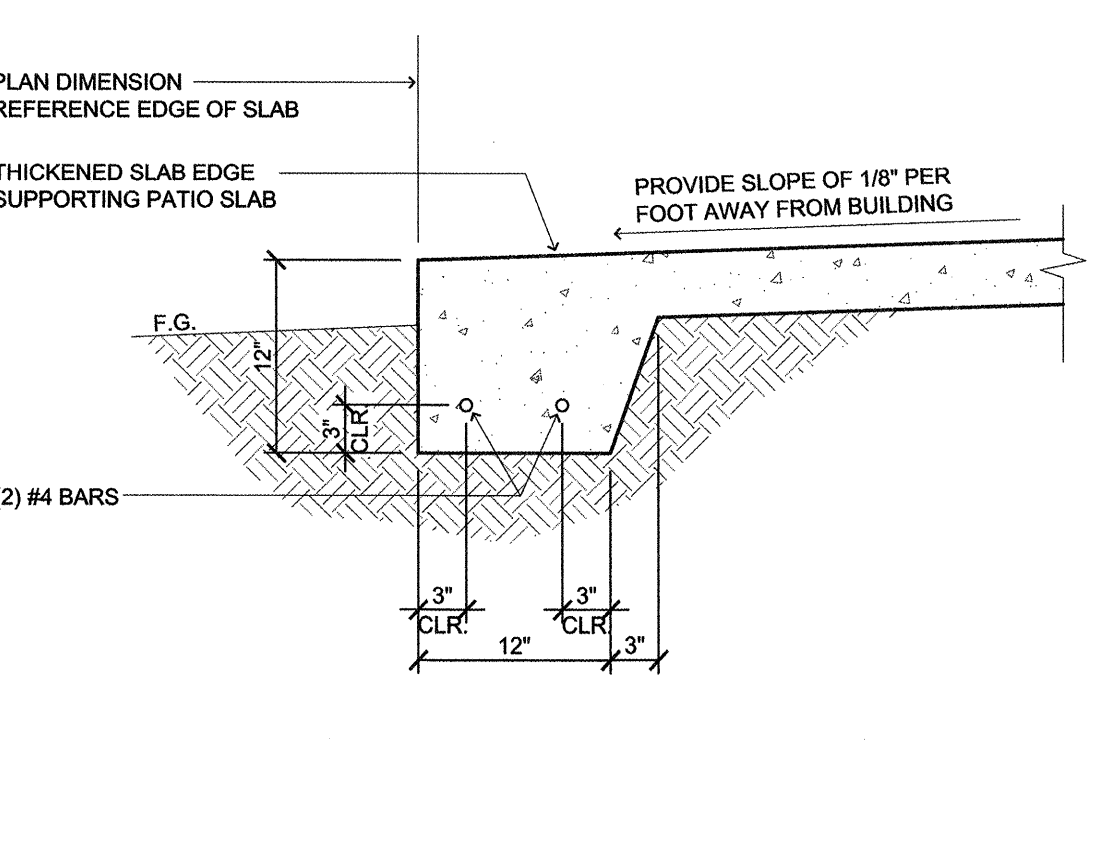


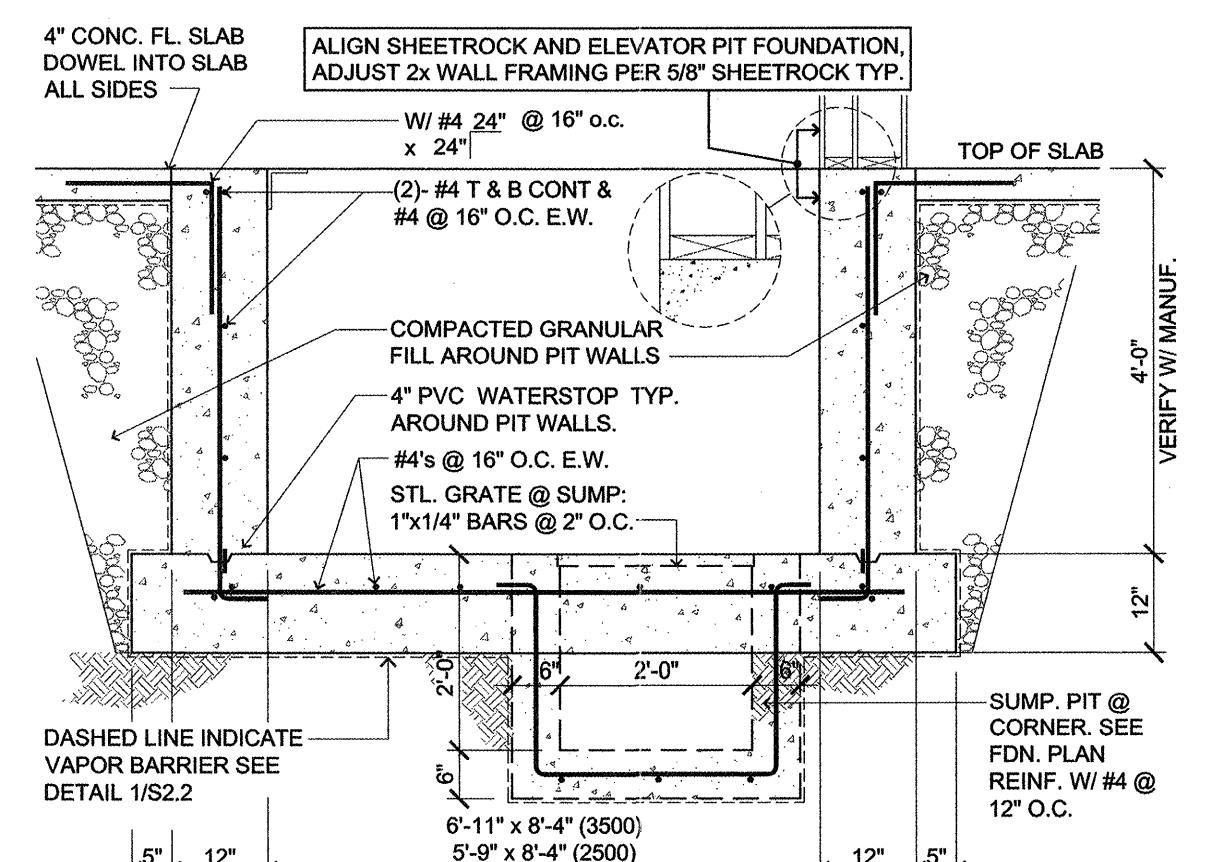
20 FOUNDATION DETAIL (ROLL-IN SHOWER SLAB DEPRESSION)
SCALE: 1" = 1'-0"



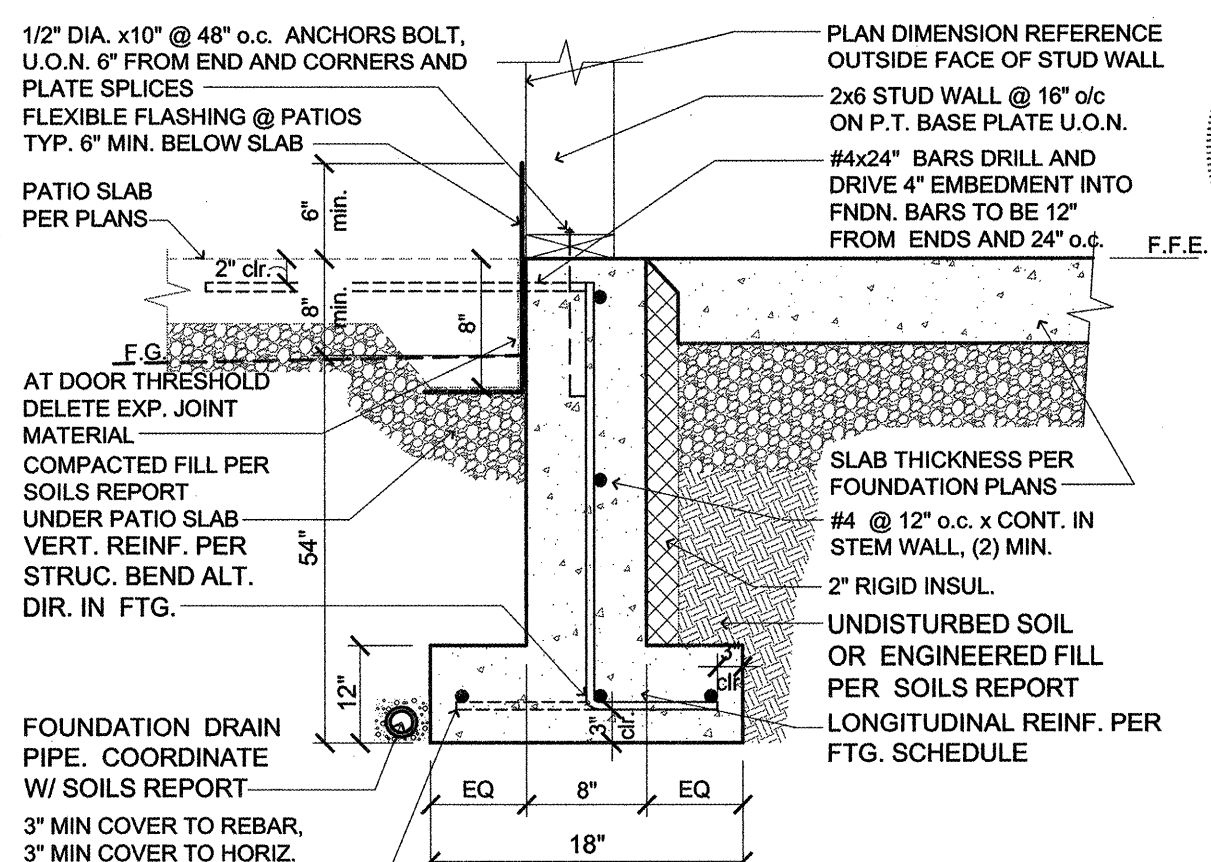
16 BUILDING EDGE ASSEMBLY (EXTERIOR DBLWALL)
SCALE: 1" = 1'-0"



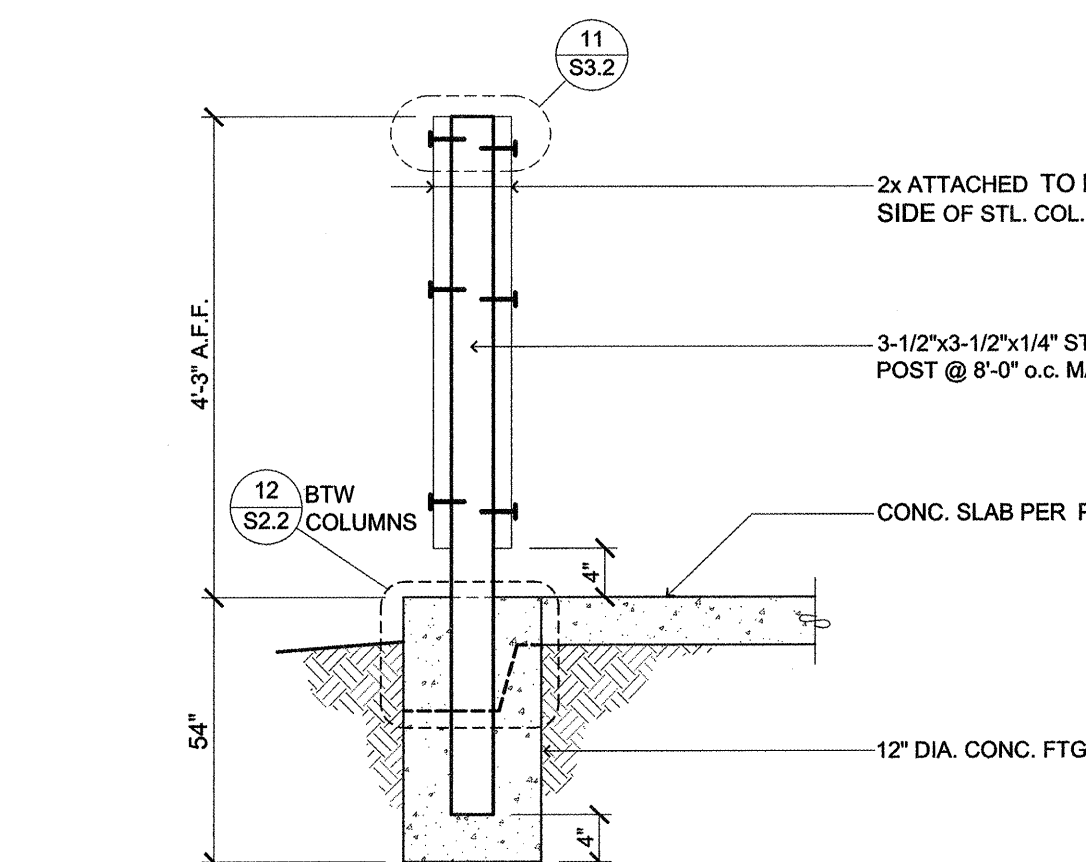
12 STEEL PLACEMENT (TYPICAL PATIO EDGE)
SCALE: 1" = 1'-0"



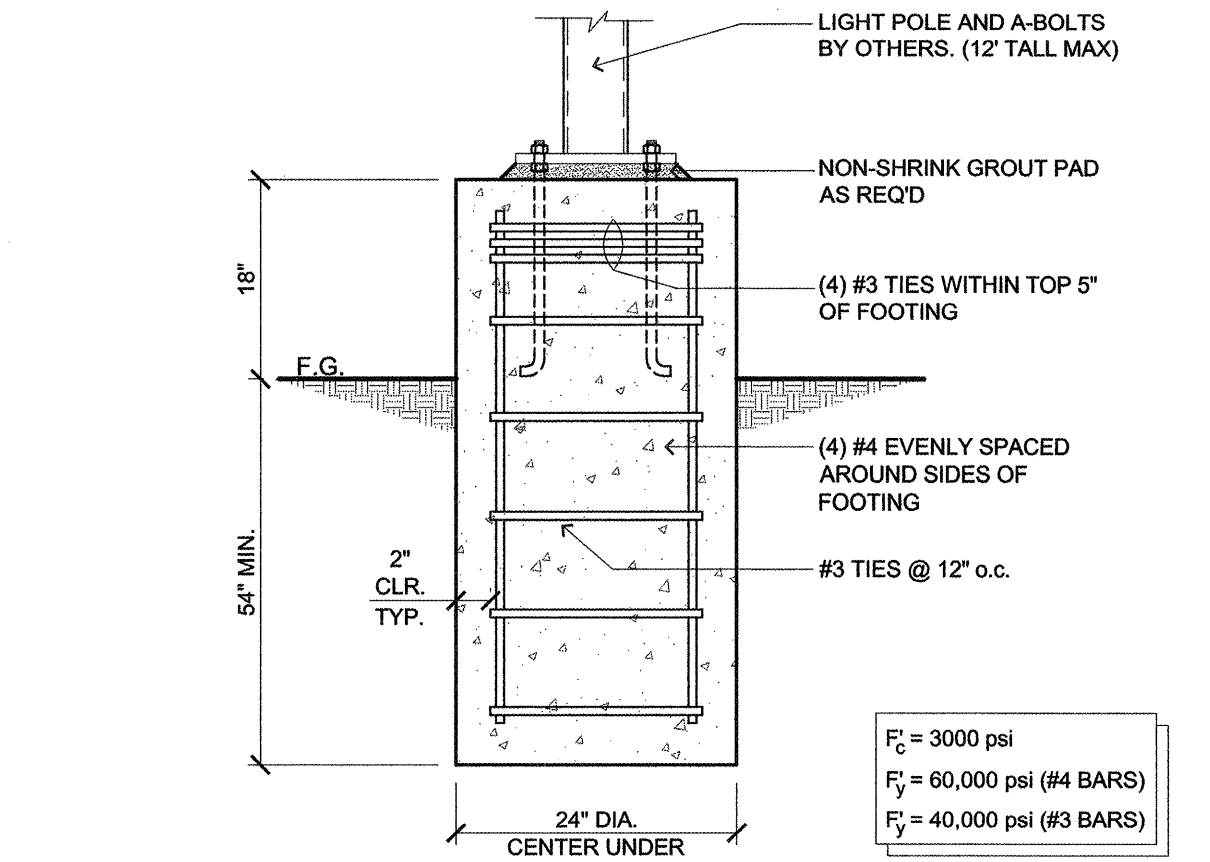
8 ELEVATOR PIT (FOUNDATION)
SCALE: 1/2" = 1'-0"



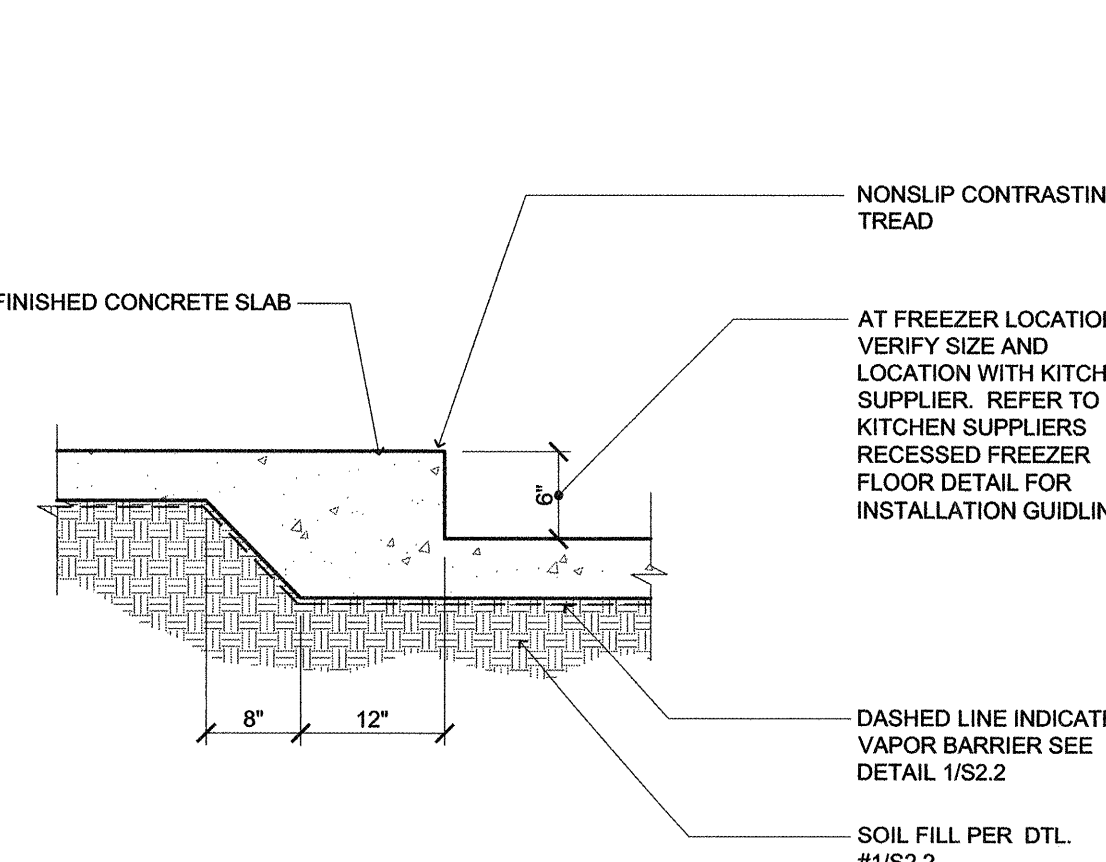
4 EXTERIOR WALL FOOTING (SPREAD FOOTING)
SCALE: NOT TO SCALE



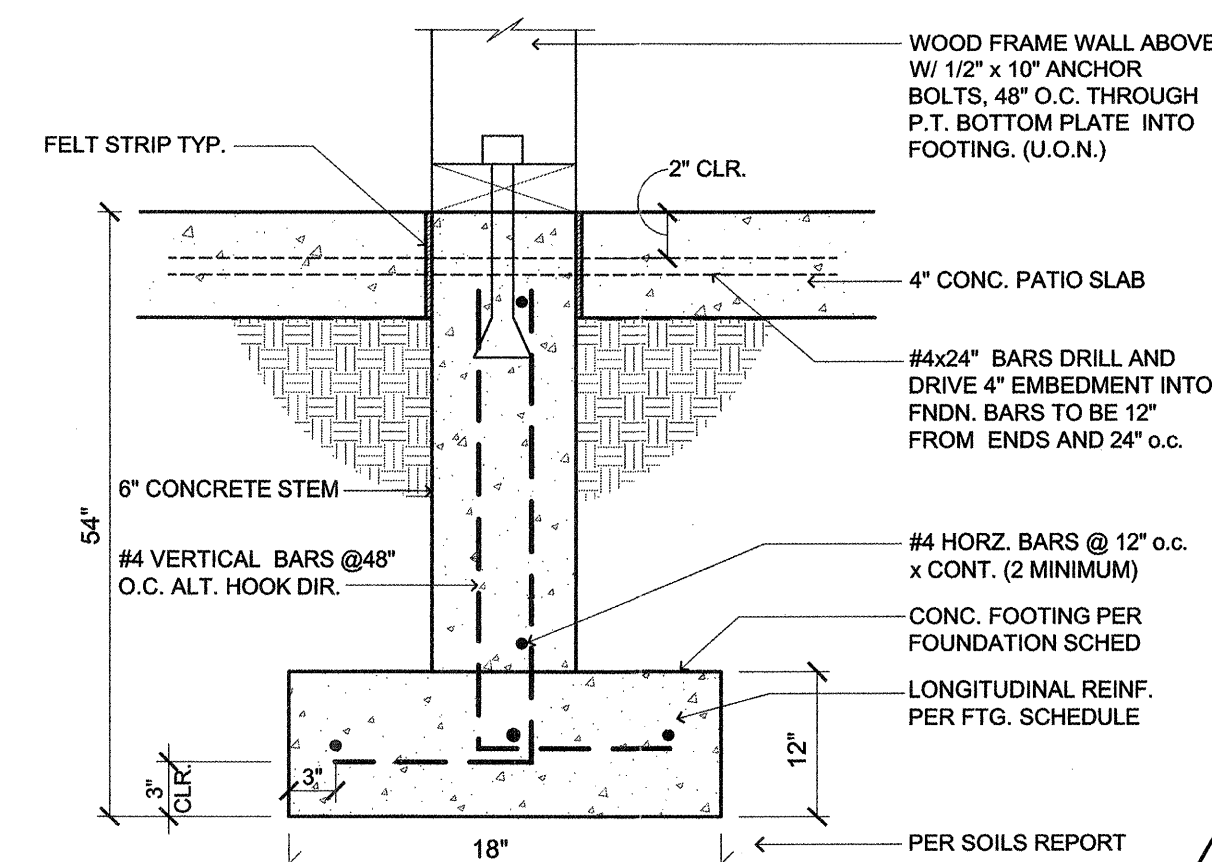
19 FREE STANDING WALL SUPPORT
SCALE: 3/4" = 1'-0"



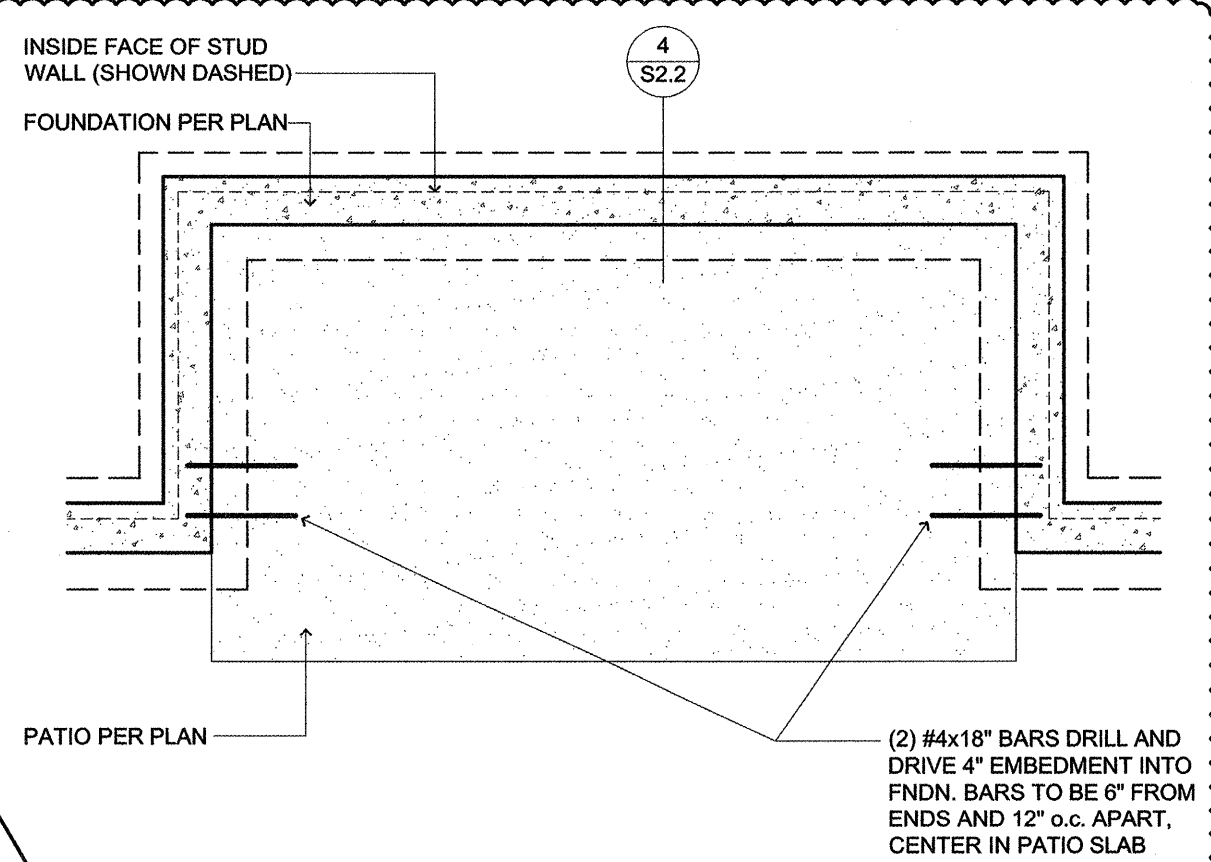
15 LIGHT POLE (FOOTING DETAIL)
SCALE: 1" = 1'-0"



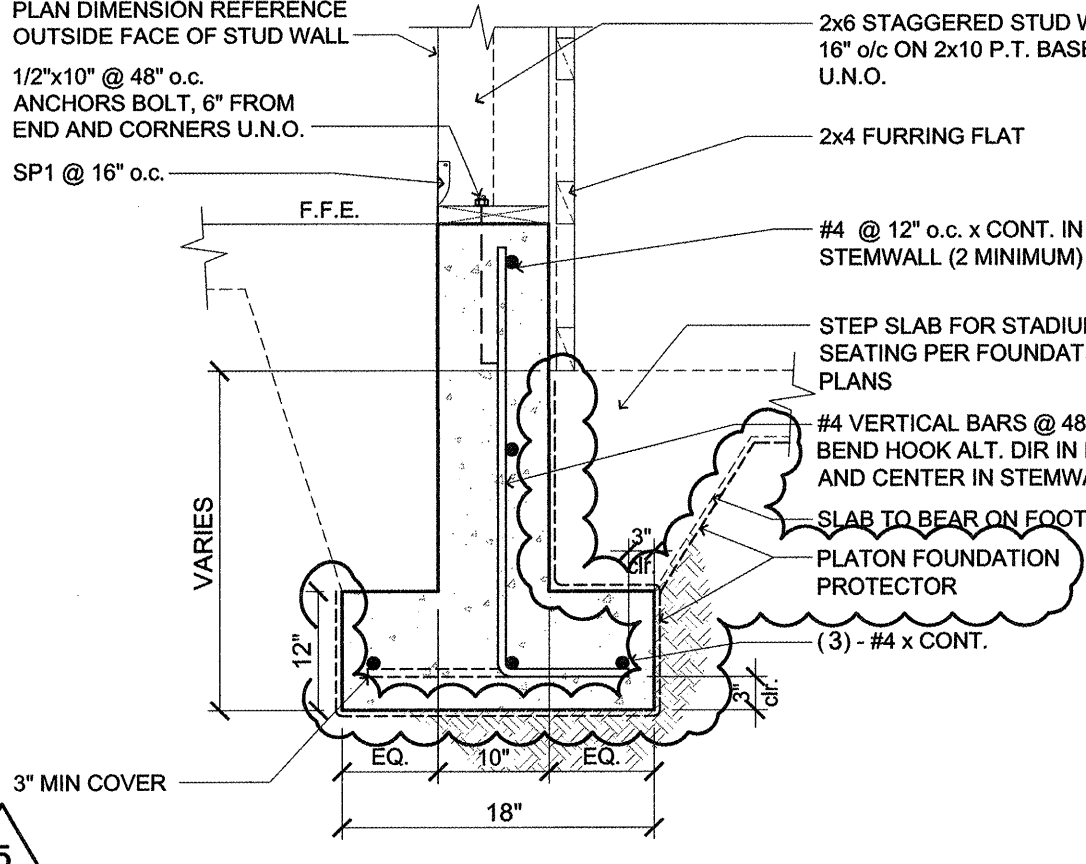
11 SLAB RECESS (RECESS IN SLAB @ FREEZER & MECH. RM.)
SCALE: 3/4" = 1'-0"



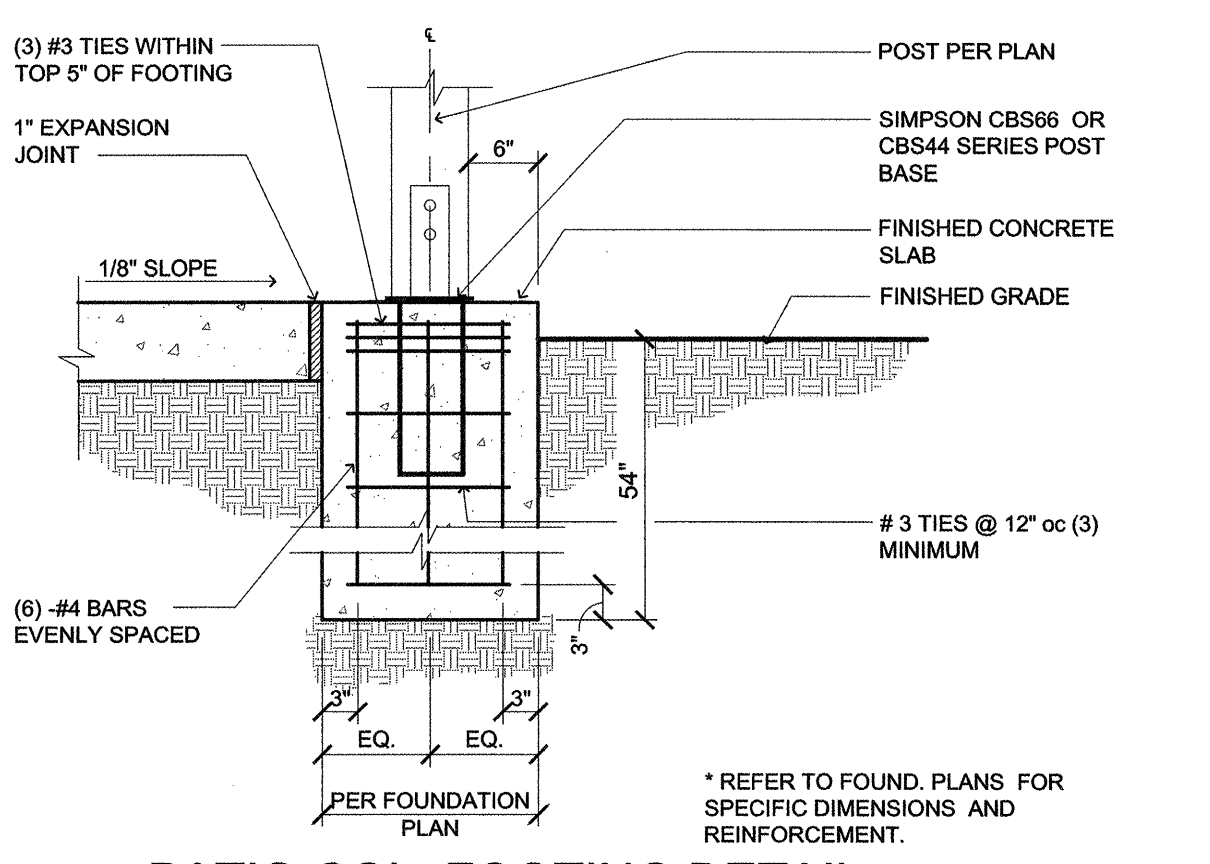
7 STEM WALL FOOTING (@ PATIO WALL)
SCALE: 1 1/2" = 1'-0"



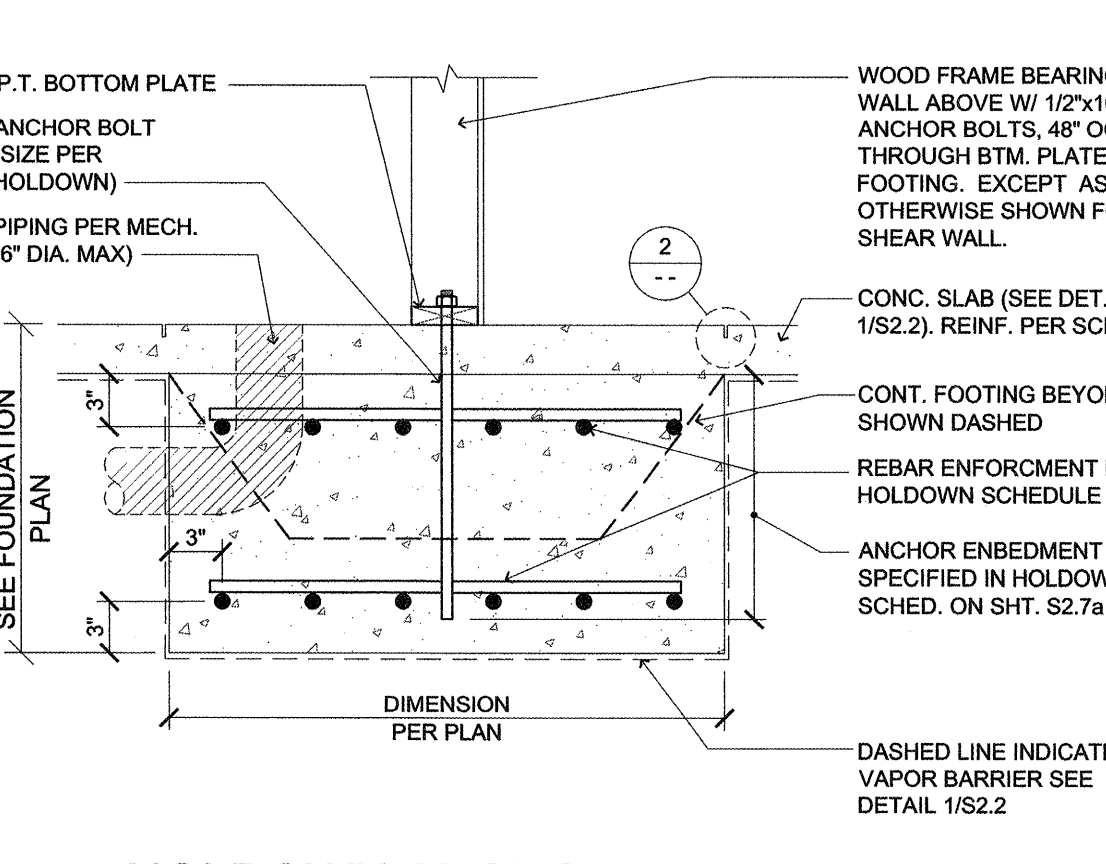
3 PATIO ATTACHMENT (PAD FOOTING)
SCALE: NOT TO SCALE



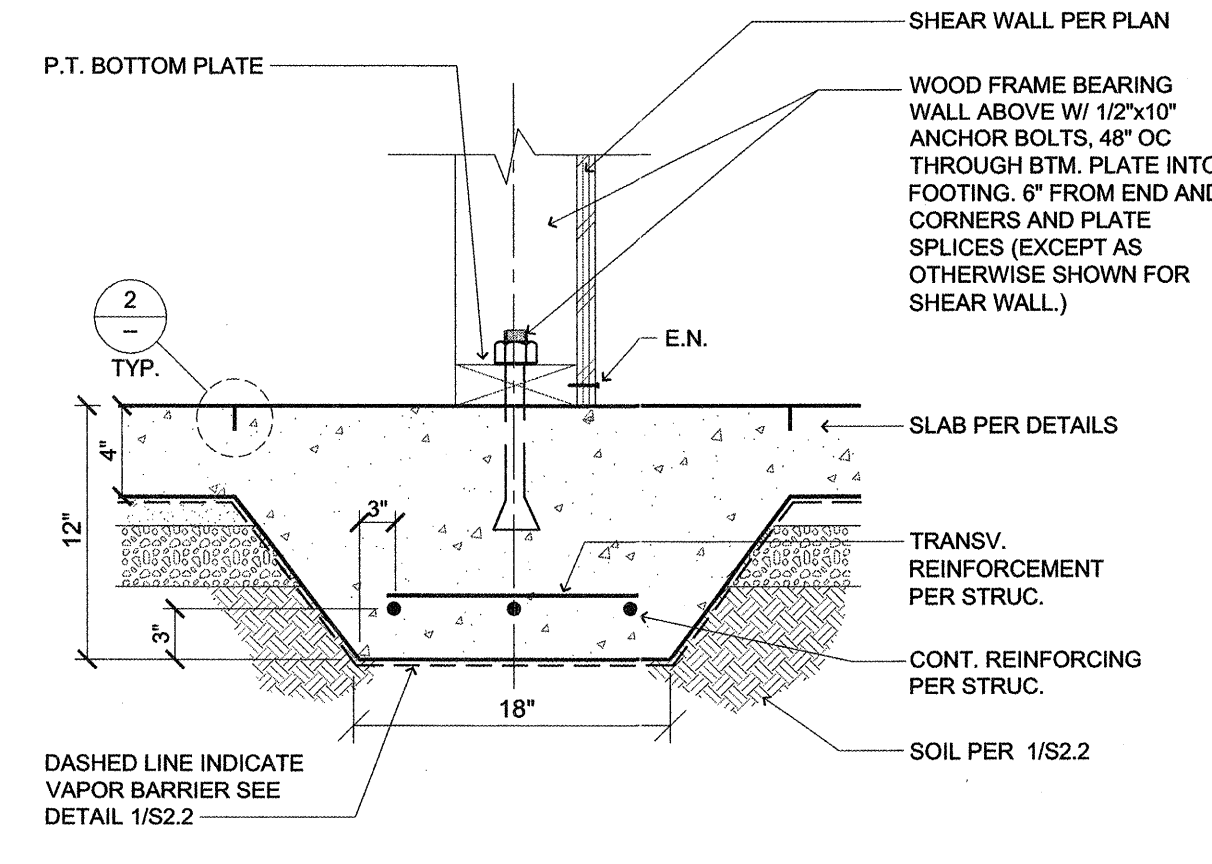
18 FOOTING (@ THEATER)
SCALE: NOT TO SCALE



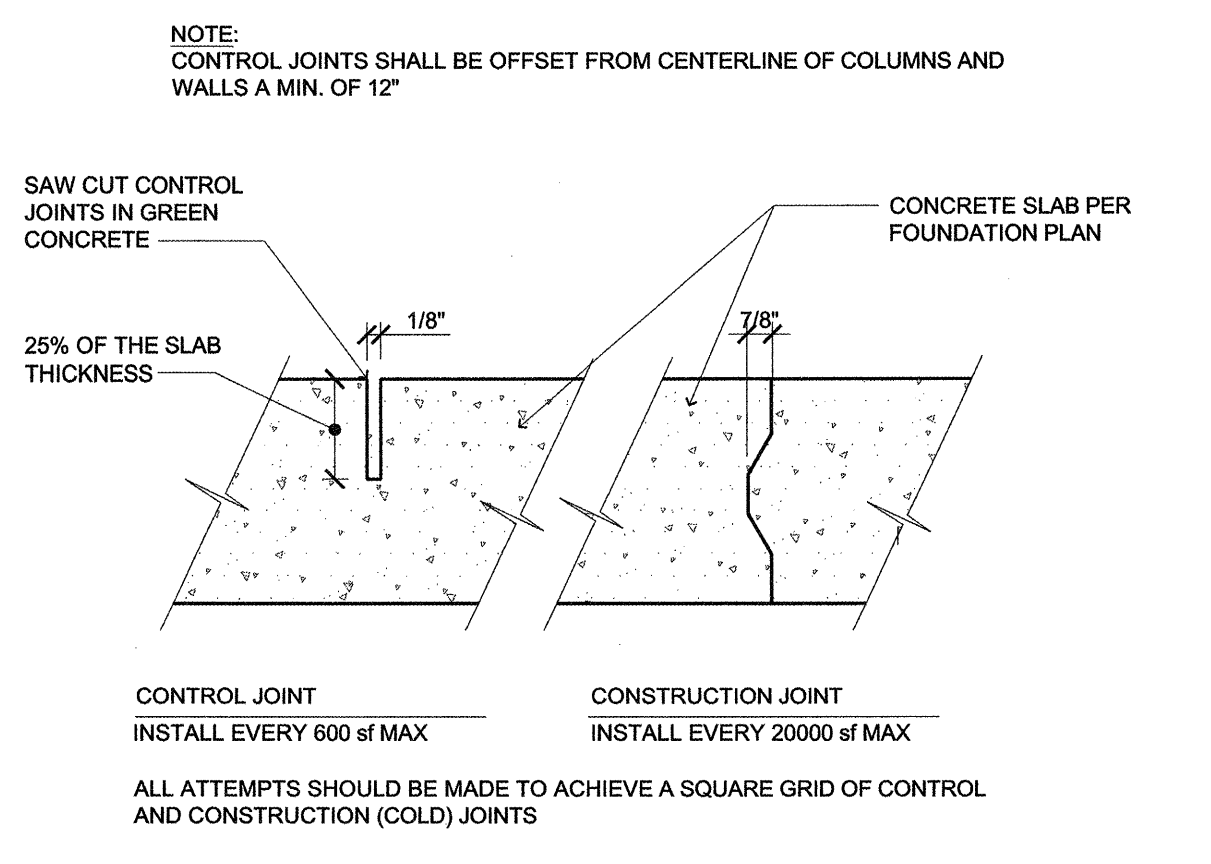
14 PATIO COL. FOOTING DETAIL
SCALE: 3/4" = 1'-0"



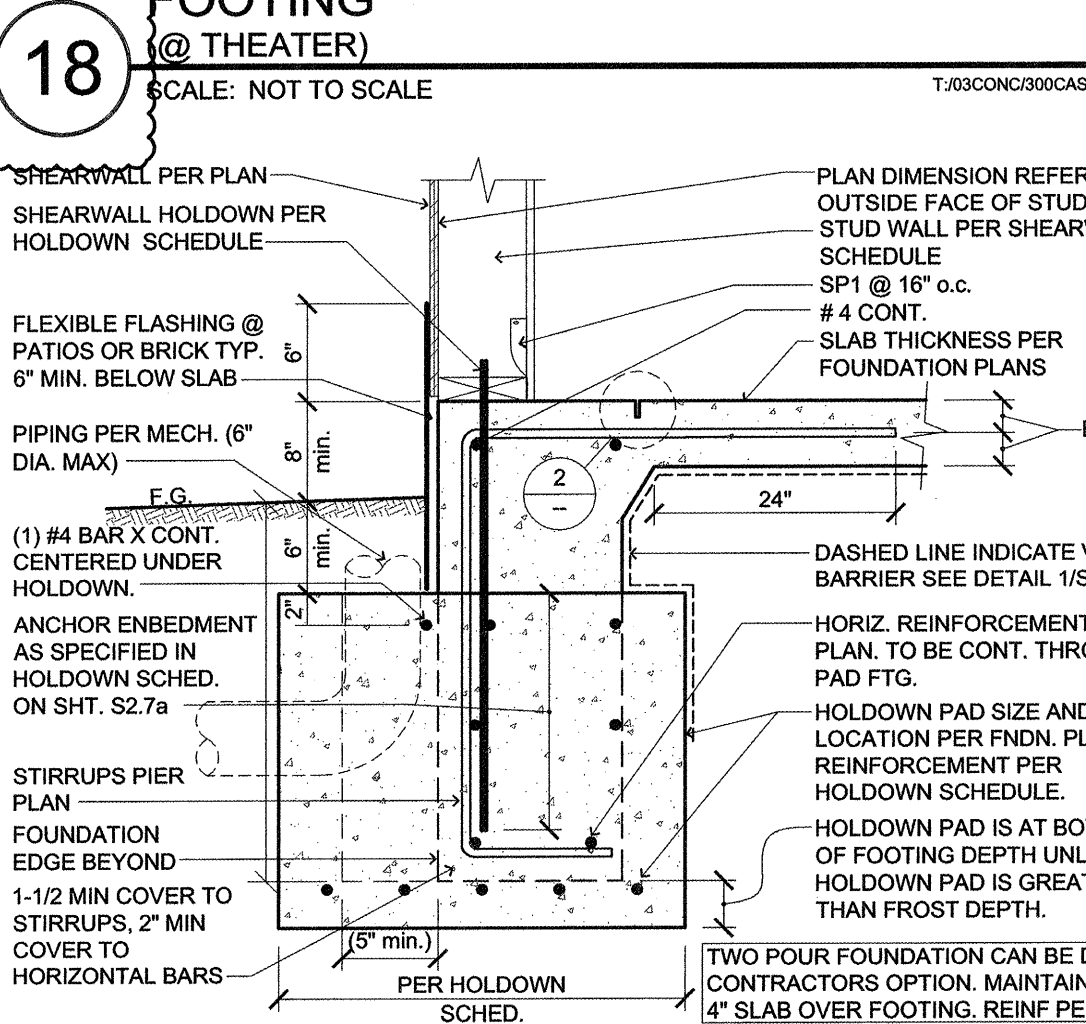
10 HOLDOWN ANCHOR (@ INTERIOR THICKENED SLAB)
SCALE: NOT TO SCALE



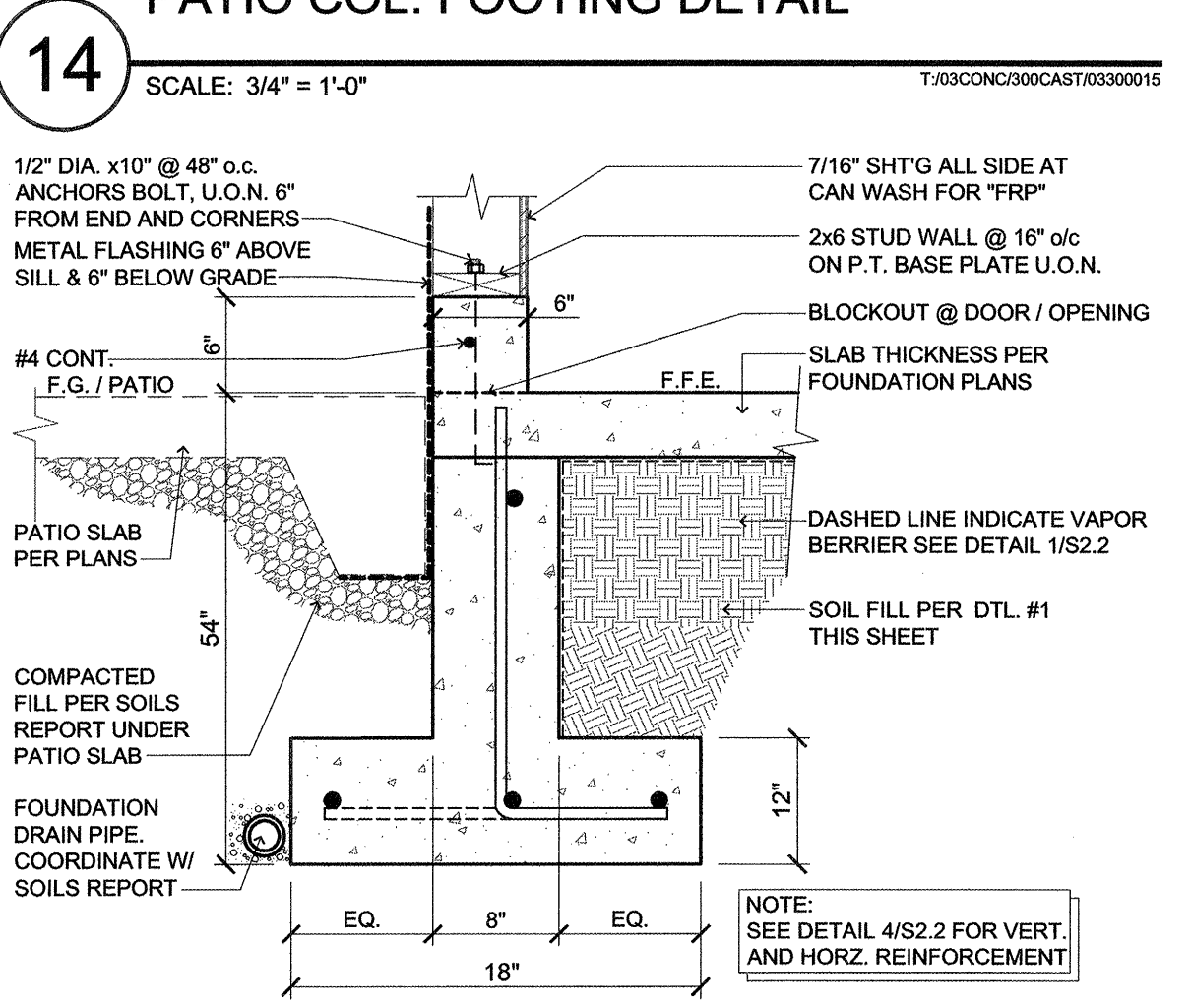
6 CONTINUOUS THICKENED SLAB (CONCRETE FOOTING DETAIL)
SCALE: NOT TO SCALE



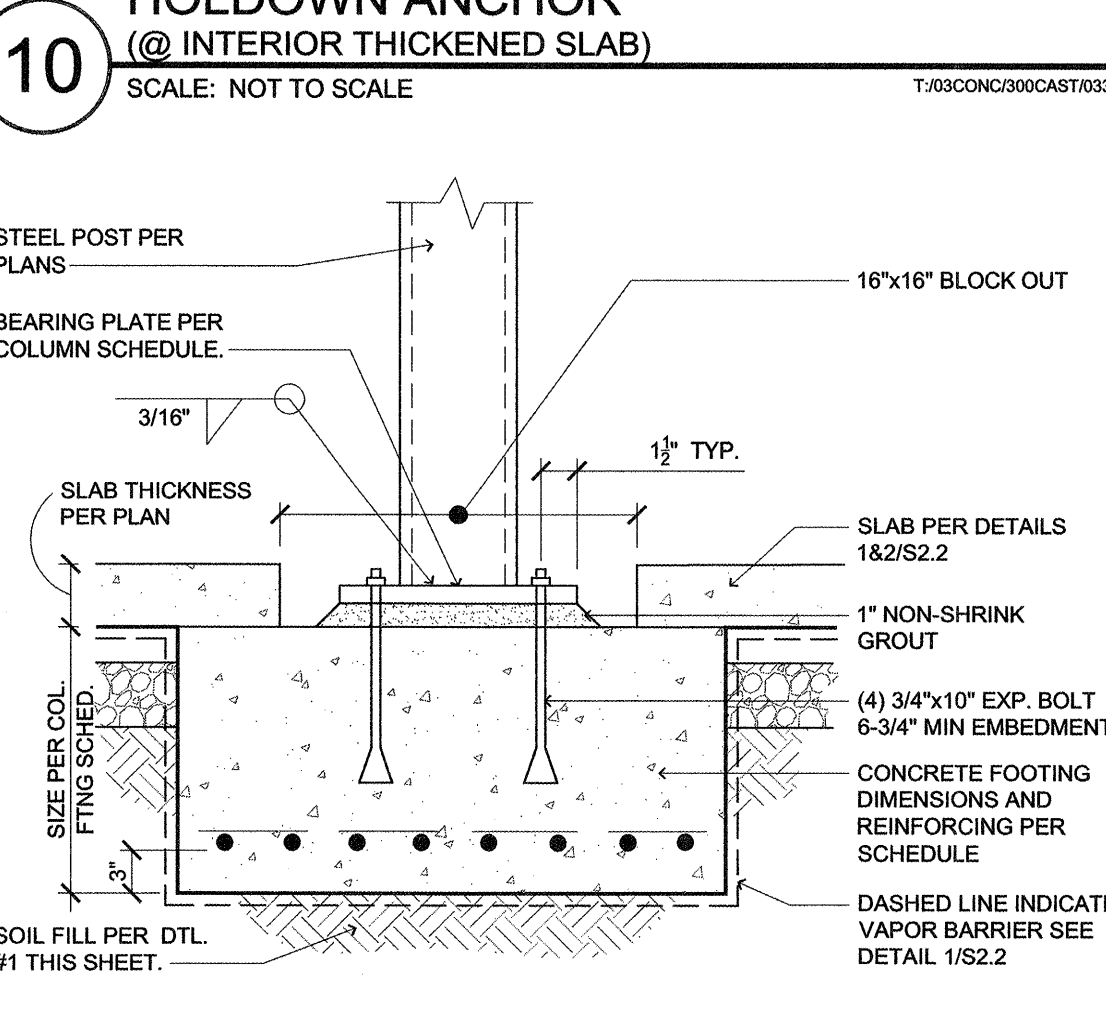
2 SLAB ON GRADE (CONTROL/CONSTRUCTION JOINTS)
SCALE: NOT TO SCALE



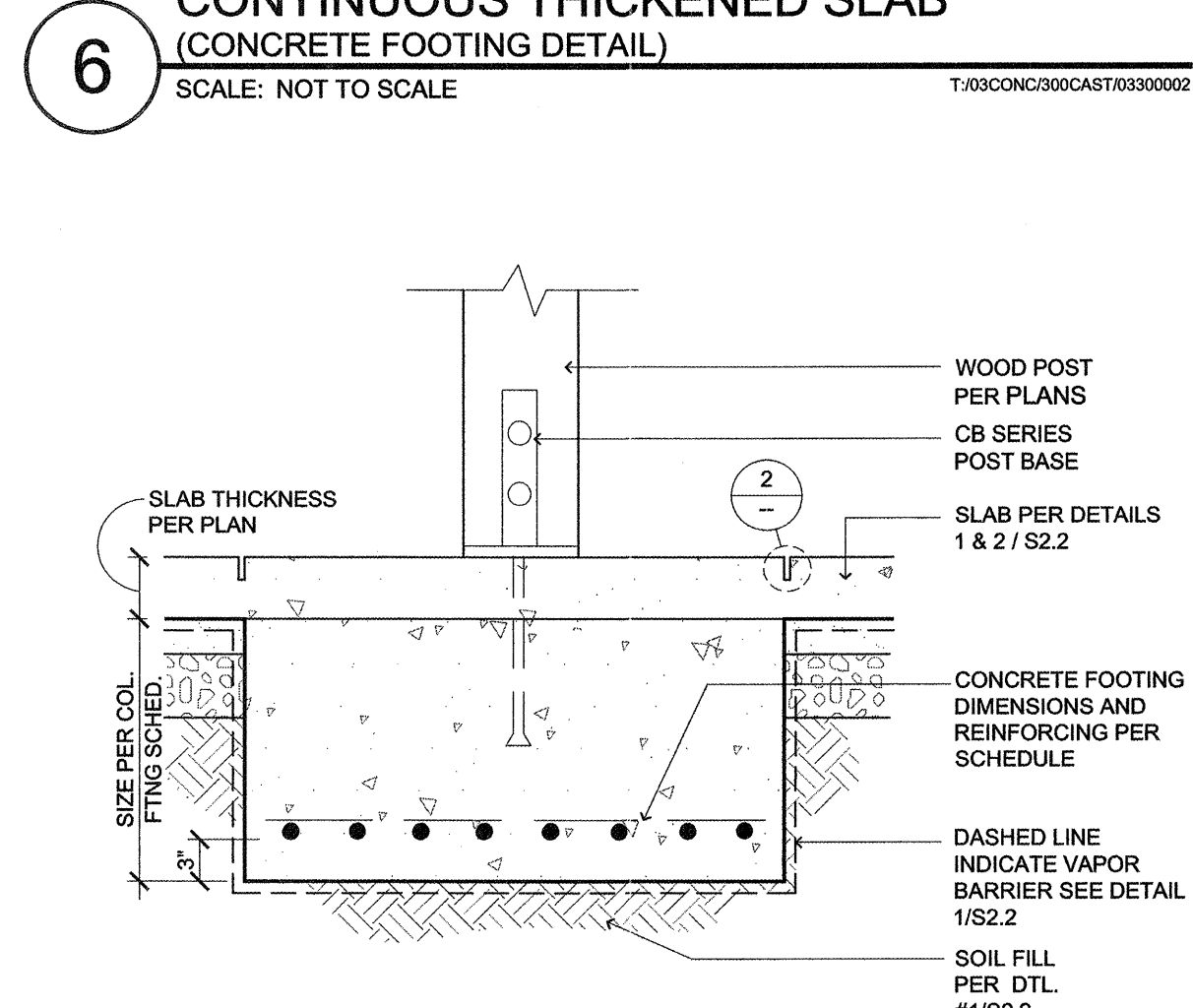
17 BUILDING EDGE ASSEMBLY (TURNDOWN EXTERIOR HOLDOWN)
SCALE: 1" = 1'-0"



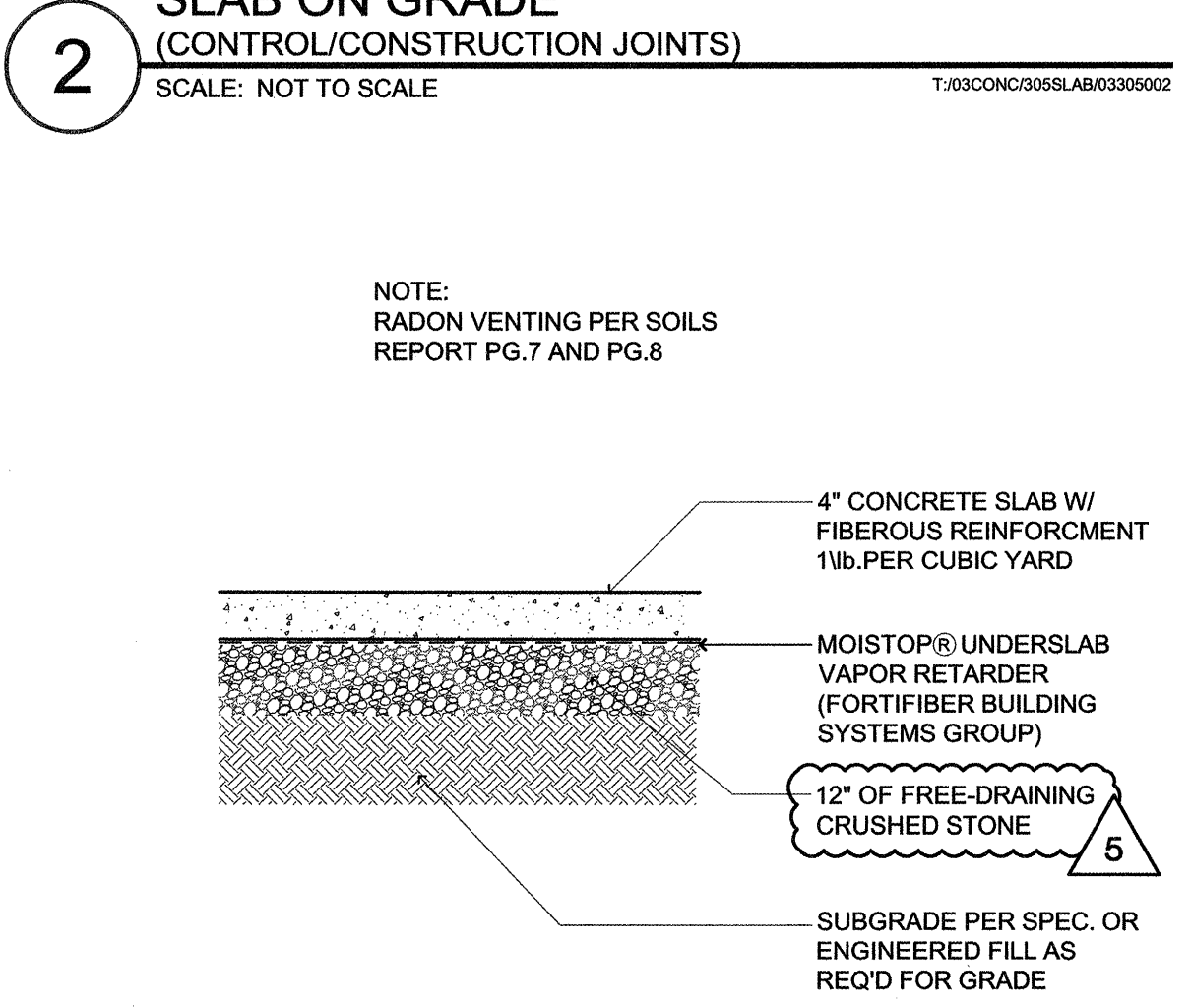
13 BUILDING EDGE ASSEMBLY (AT CAN WASH)
SCALE: 1" = 1'-0"



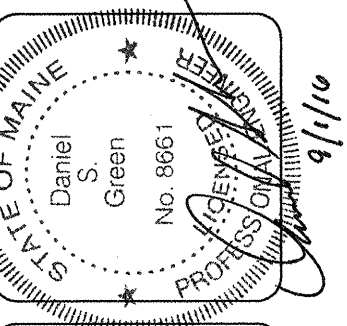
9 FOOTING DETAIL (INTERIOR STEEL COLUMN BASE)
SCALE: NOT TO SCALE



5 FOOTING DETAIL (INTERIOR WOOD COLUMN BASE)
SCALE: NOT TO SCALE



1 SLAB ON GRADE (CONCRETE SLAB DETAIL)
SCALE: 3/4" = 1'-0"



lenity architecture
3150 Kettle Court SE, Salem, Oregon 97301
P: 503 399 1050 F: 503 399 0555 W: lenityarchitecture.com

COLSON AND COLSON
GENERAL CONTRACTOR, INC.
22860 MCGILCHRIST STREET SE, SUITE 200
SALEM, OREGON, 97302
PHONE (503) 586-7401

PORTLAND RETIREMENT RESIDENCE
802 OCEAN AVE., PORTLAND, MAINE 04103

FOUNDATION DETAILS

DATE: 8/28/2015
REVISED DATE:
9/22/2015
2/2/2016
3/7/18/2016
SHEET: S2.2