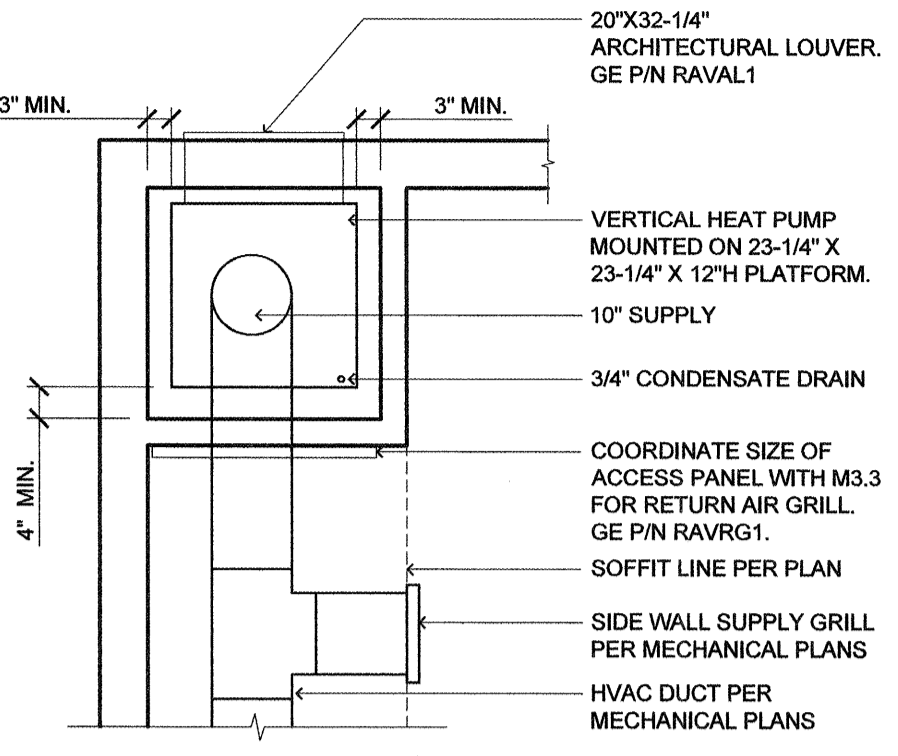
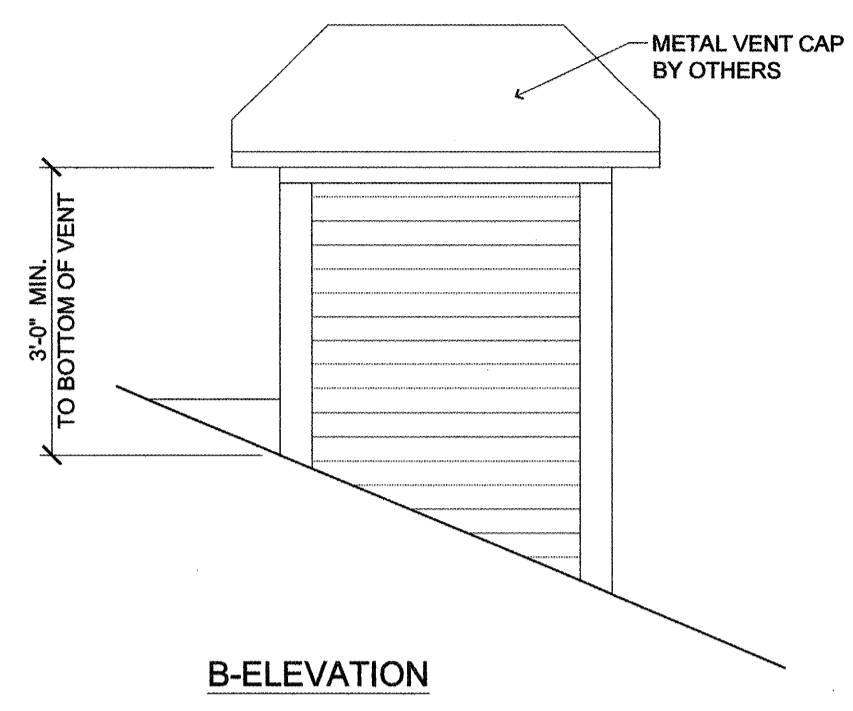
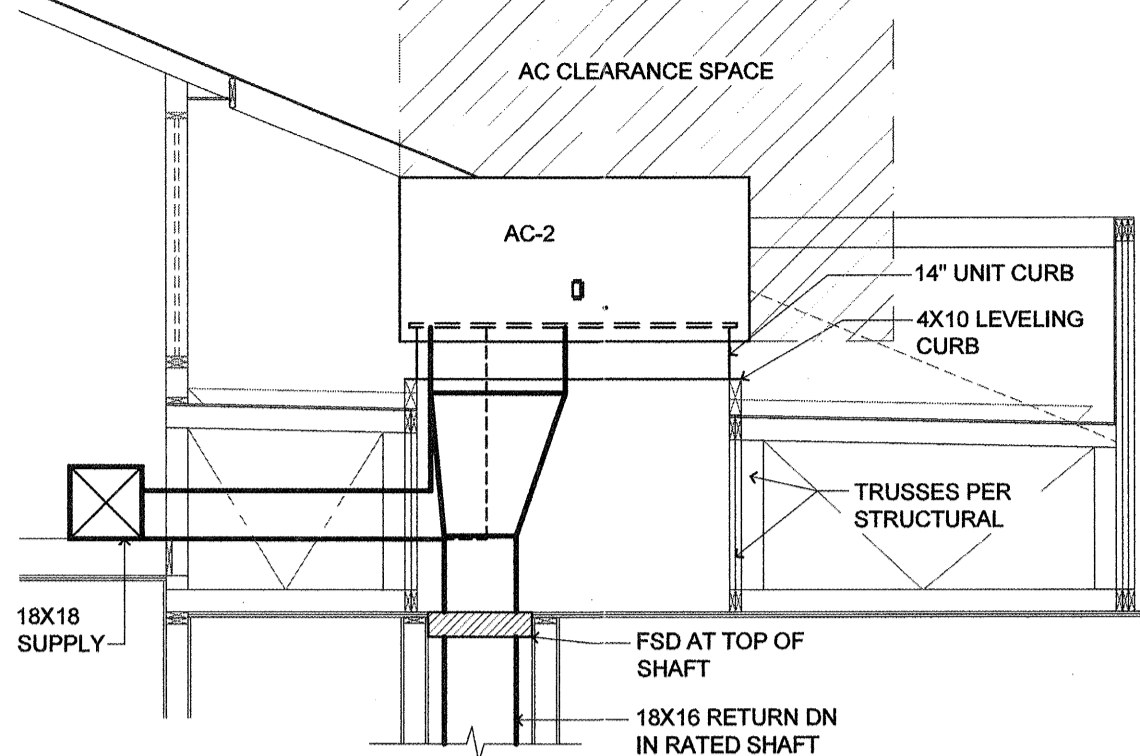


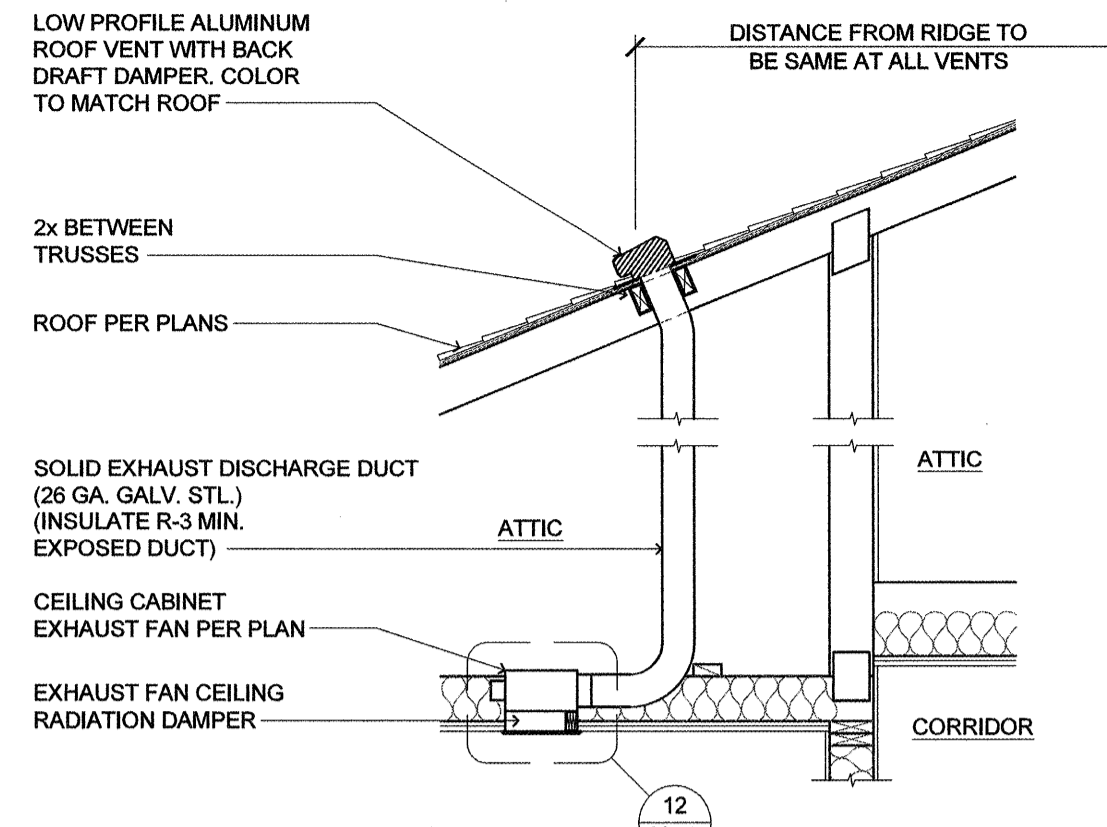
17 ELEVATOR VENTING
SHALL COMPLY WITH ALL OF 2012-NC BUILDING CODE CHAPTER 30
SCALE: 1/2" = 1'-0"



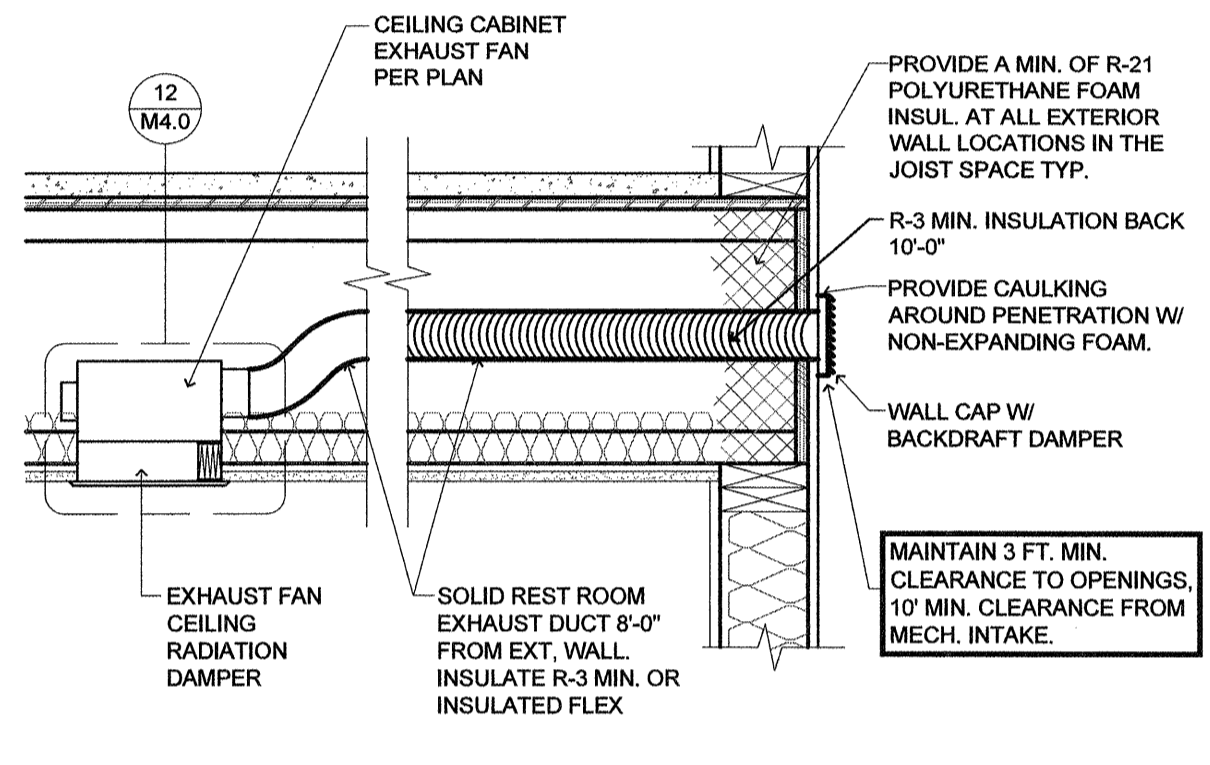
10 VERTICAL PTAC TYPICAL CLOSET DETAIL
SCALE: 1/2" = 1'-0"



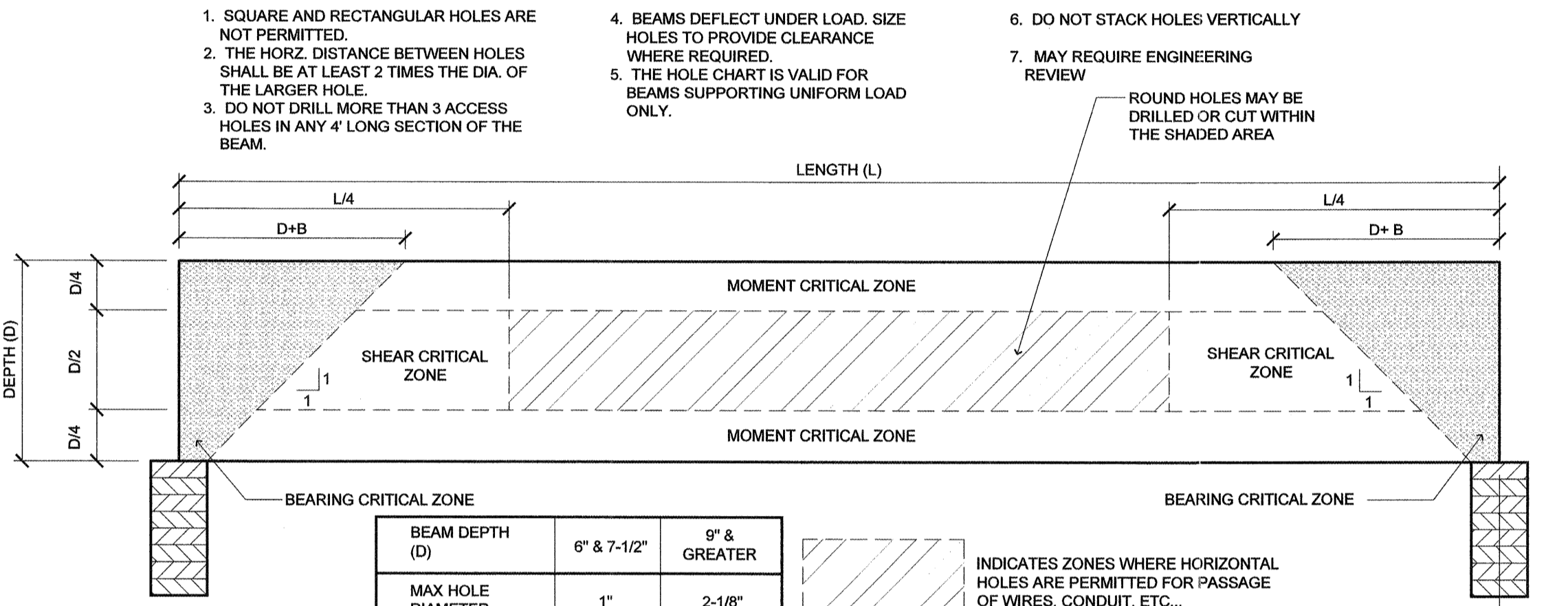
6 AC-2 (SECTION)
SCALE: 1/4" = 1'-0"



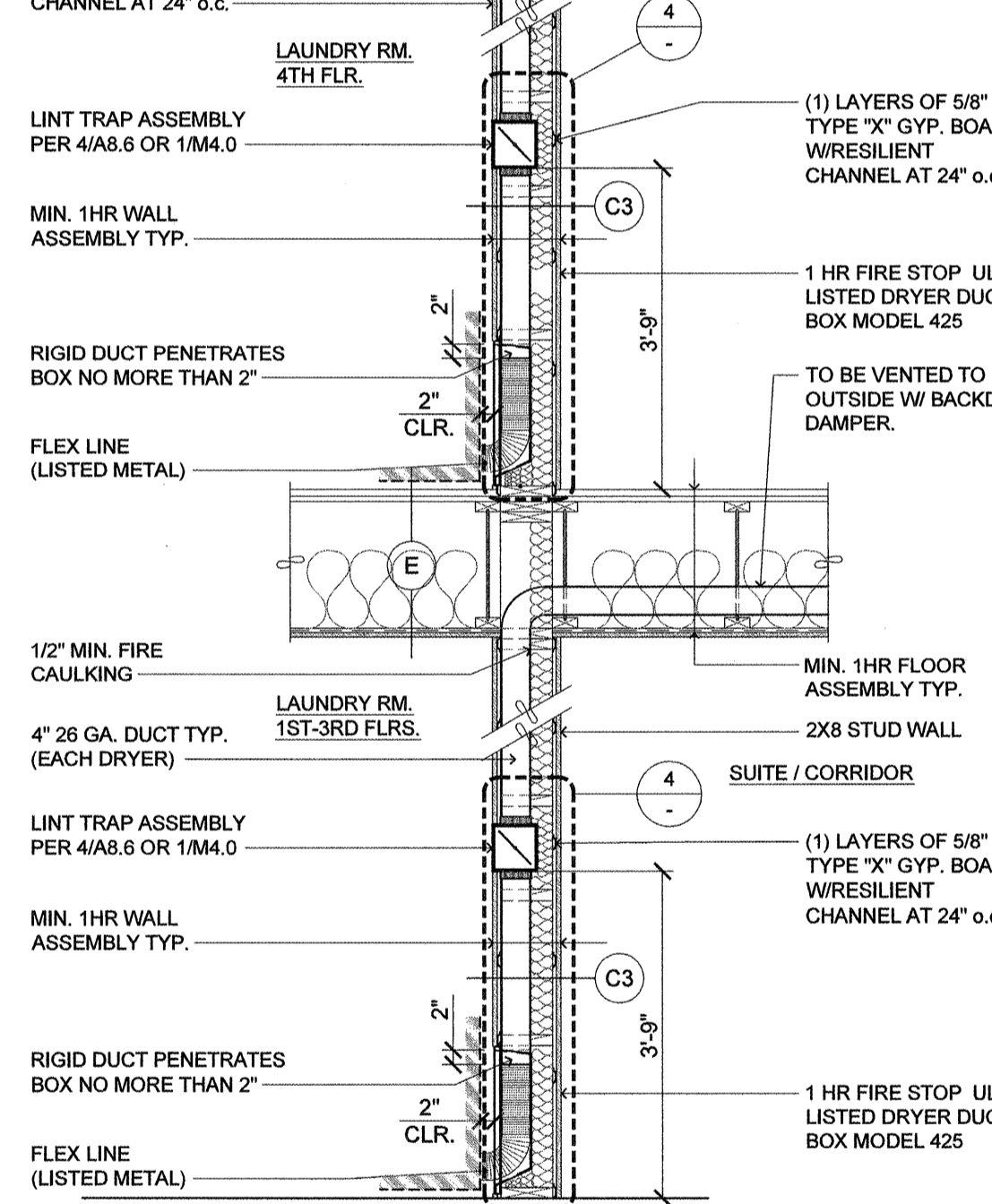
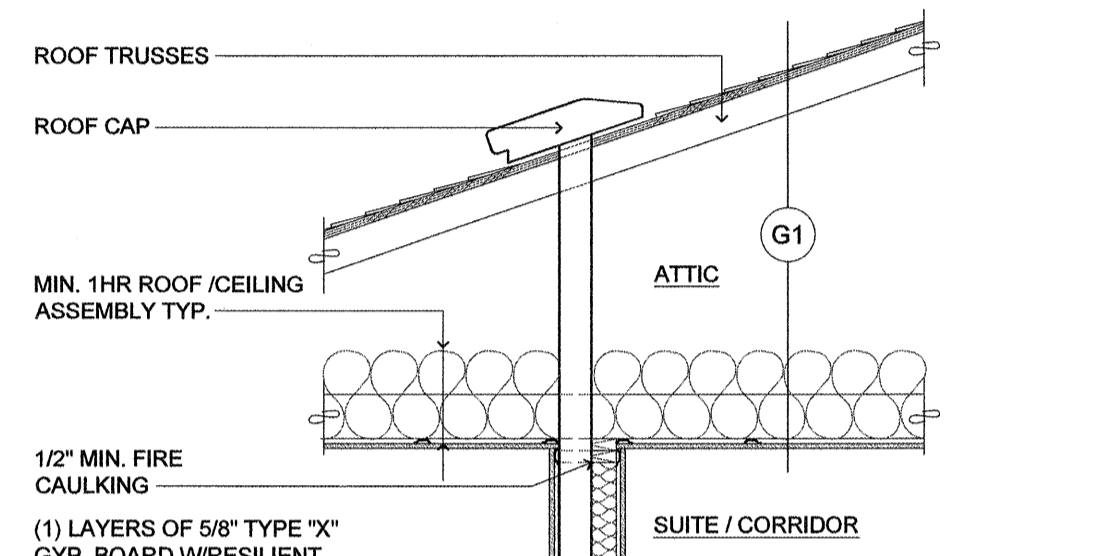
3 CEILING EXHAUST FAN TERMINATION (AT ATTIC SPACE)
SCALE: N.T.S.



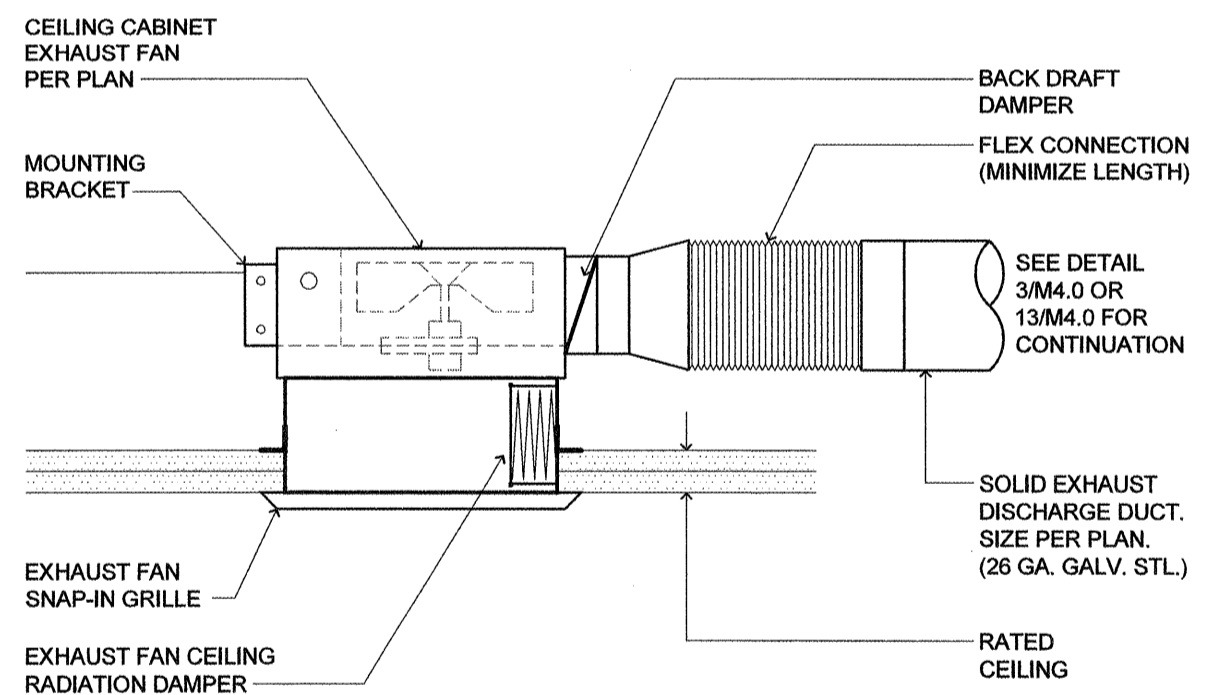
13 CEILING EXHAUST FAN TERMINATION (AT EXT. WALL, FLOOR SPACES)
SCALE: N.T.S.



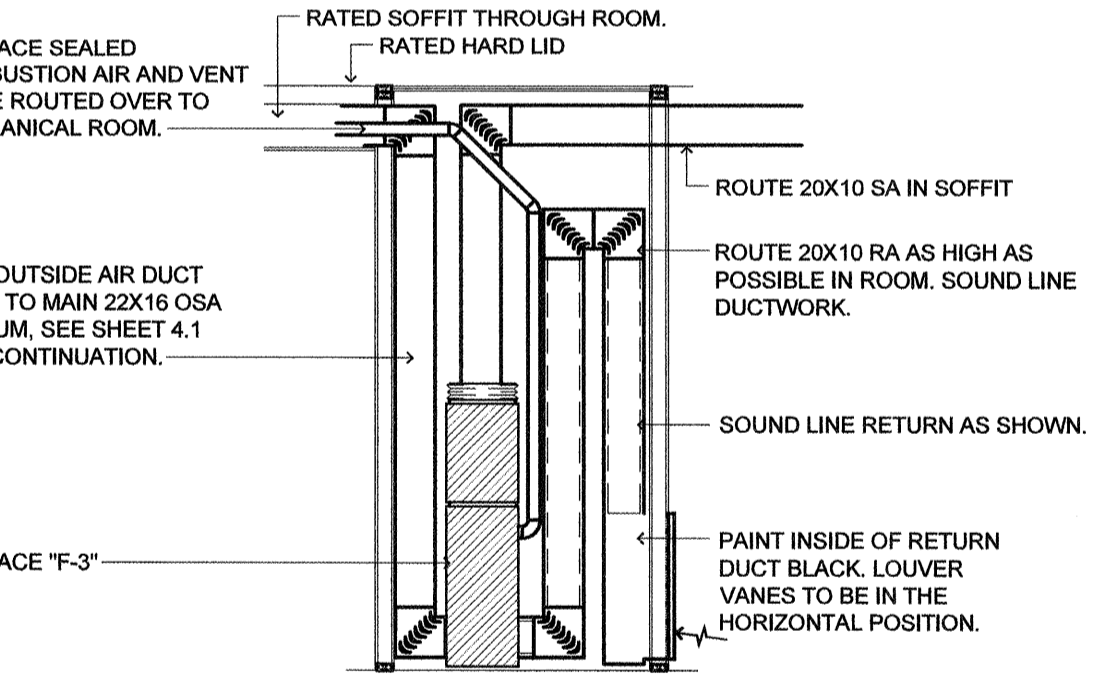
9 GLU-LAM BEAM (NOTCHES AND HOLES)
SCALE: 1" = 1'-0"



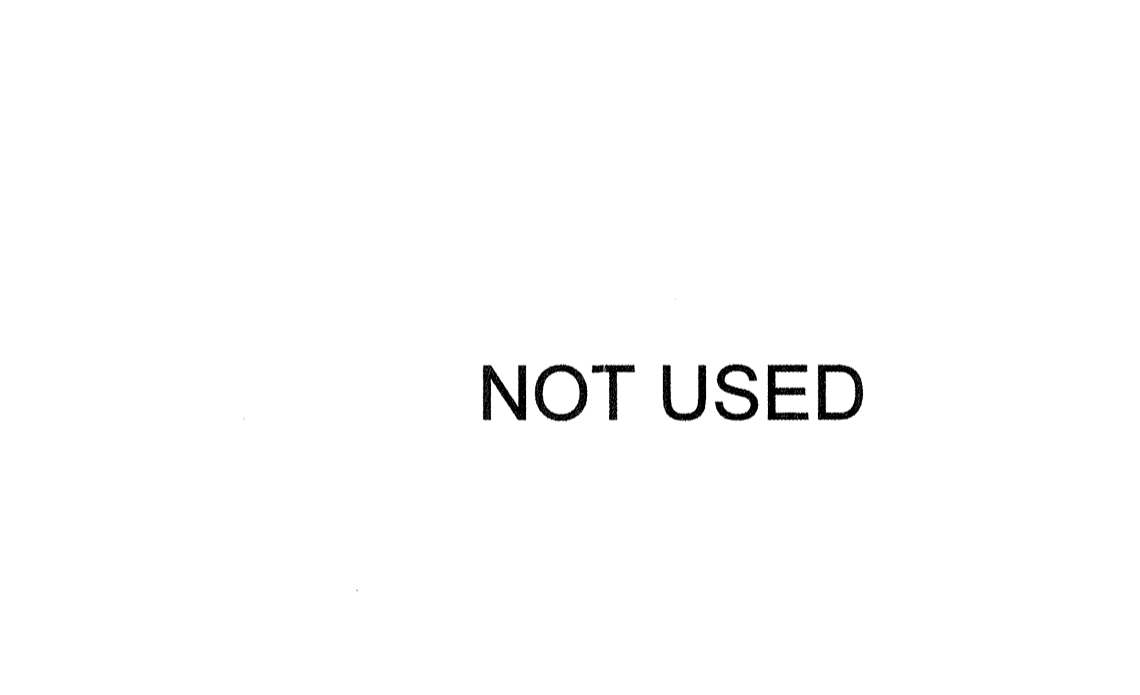
2 LAUNDRY VENTING
SCALE: 1/2" = 1'-0"



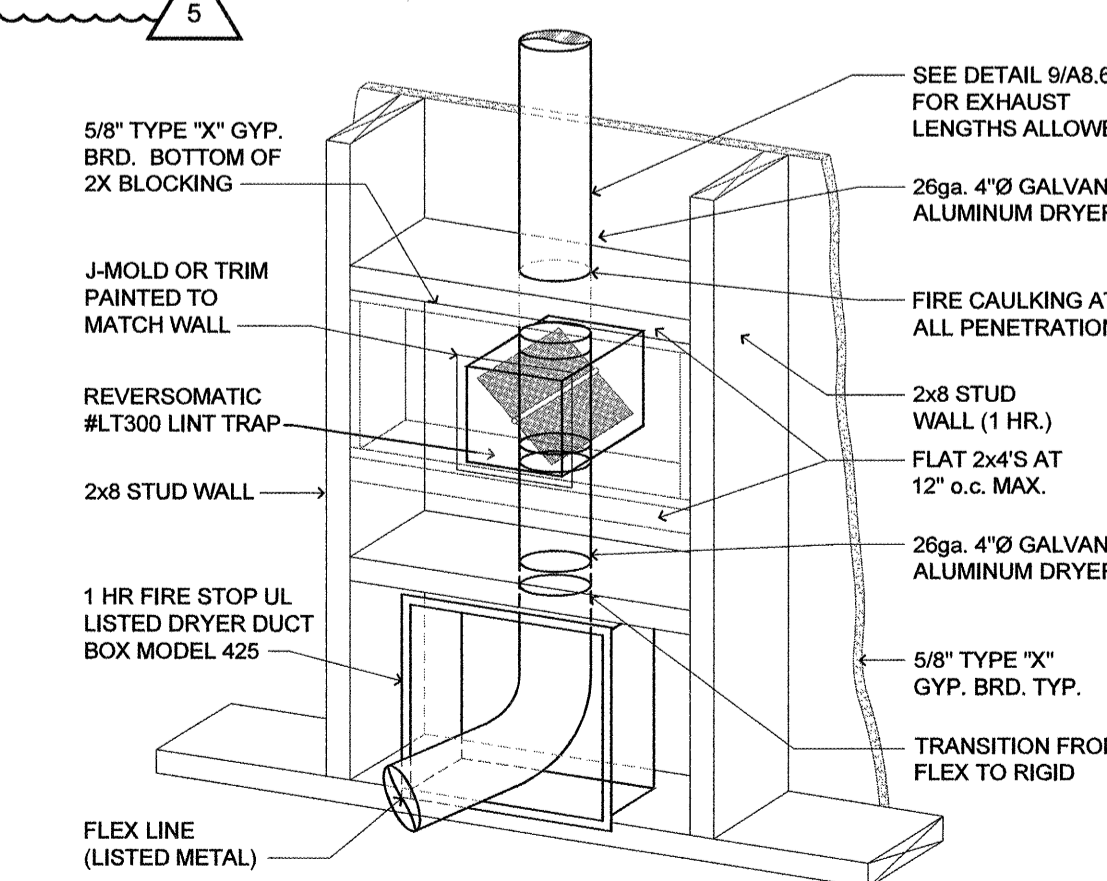
12 CEILING EXHAUST FAN
SCALE: N.T.S.



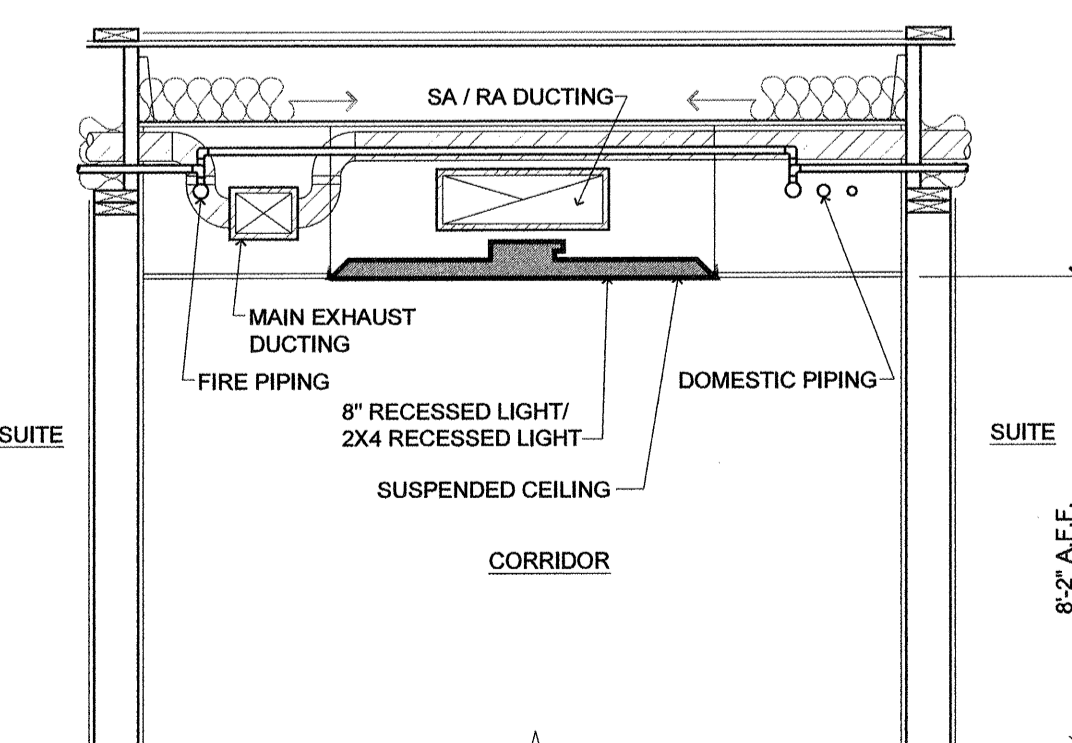
8 THEATER FURNACE SECTION (DUCT ROUTING)
SCALE: N.T.S.



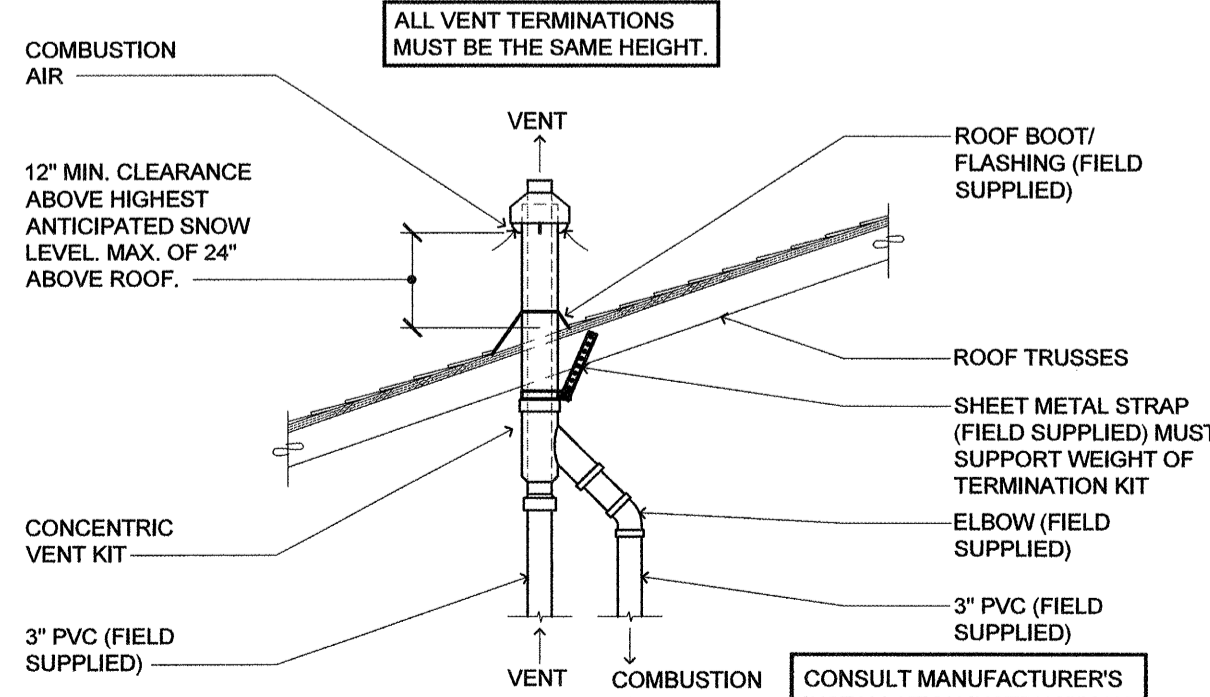
5 DRYER VENTING (EXHAUST LENGTHS)
SCALE: N.T.S.



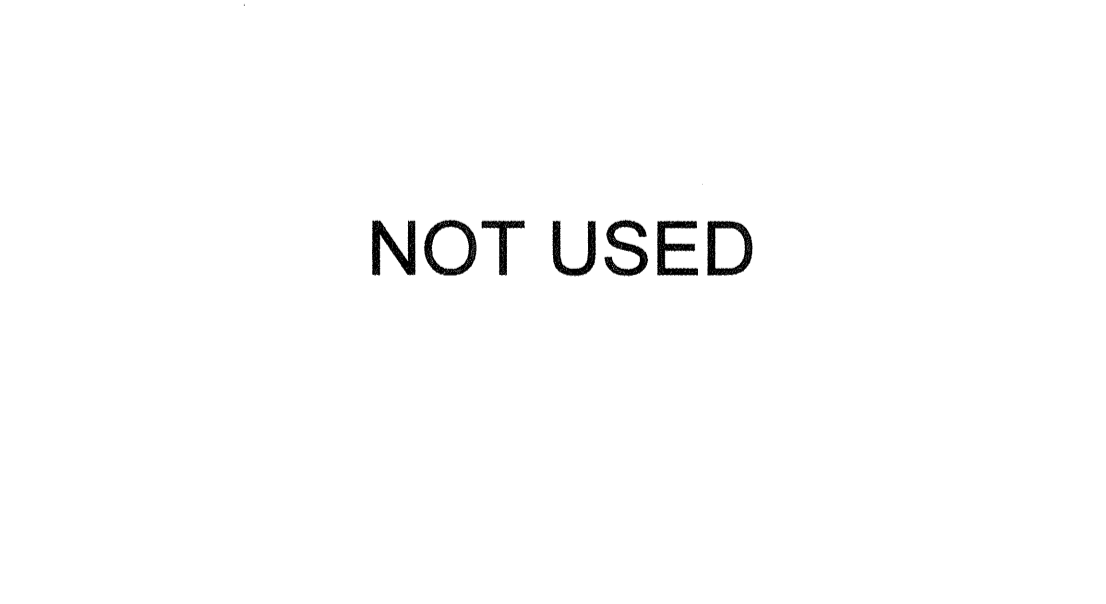
1 DRYER VENTING (EXHAUST LENGTHS)
SCALE: 1" = 1'-0"



14 CORRIDOR SECTION (MEP LAYOUT)
SCALE: 1/2" = 1'-0"



11 WATER HEATER/GAS FURNACE VENTING (VENT/COMBUSTION AIR CONCENTRIC VENT)
SCALE: N.T.S.

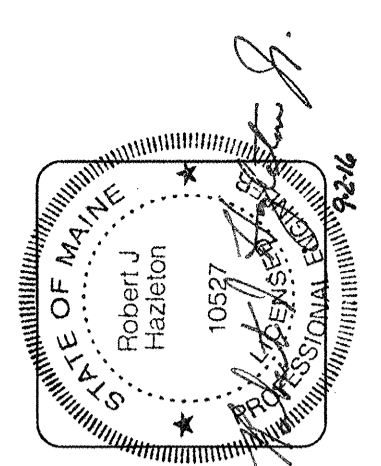


7 DRYER VENTING (EXHAUST LENGTHS)
SCALE: N.T.S.

NUMBER OF 90° TURNS OR ELBOWS	TYPE OF VENT	2-1/2" ANGLED HOODS	4" ANGLED OR LOUVERED HOODS	4" ROUND LONG VENTING
0	RIGID METAL	60 ft.	80 ft.	150 ft.
1	RIGID METAL	45 ft.	60 ft.	135 ft.
2	RIGID METAL	35 ft.	45 ft.	125 ft.
3	RIGID METAL	25 ft.	35 ft.	115 ft.
4	RIGID METAL	15 ft.	25 ft.	105 ft.

GENERAL ELECTRIC 7.0, 8.0, AND 5.8 CU. FT. CAPACITY GAS DRYERS

4 DRYER VENTING (EXHAUST LENGTHS)
SCALE: N.T.S.



lenity architecture
350 Maple Court SE, Salem, Oregon 97301
lenityarchitecture.com
P: 503 399 1030 F: 503 399 0585

COLSON AND COLSON GENERAL CONTRACTOR, INC.
2280 McMillan Street SE, Suite 200
Salem, Oregon, 97302
PHONE (503) 586-7401

PORTLAND RETIREMENT RESIDENCE
802 OCEAN AVE. PORTLAND, MAINE 04103

HVAC DETAILS

DATE
8/28/2015
REVISED DATE
9/22/2015
2/2/2016
7/18/2016

SHEET
M4.0