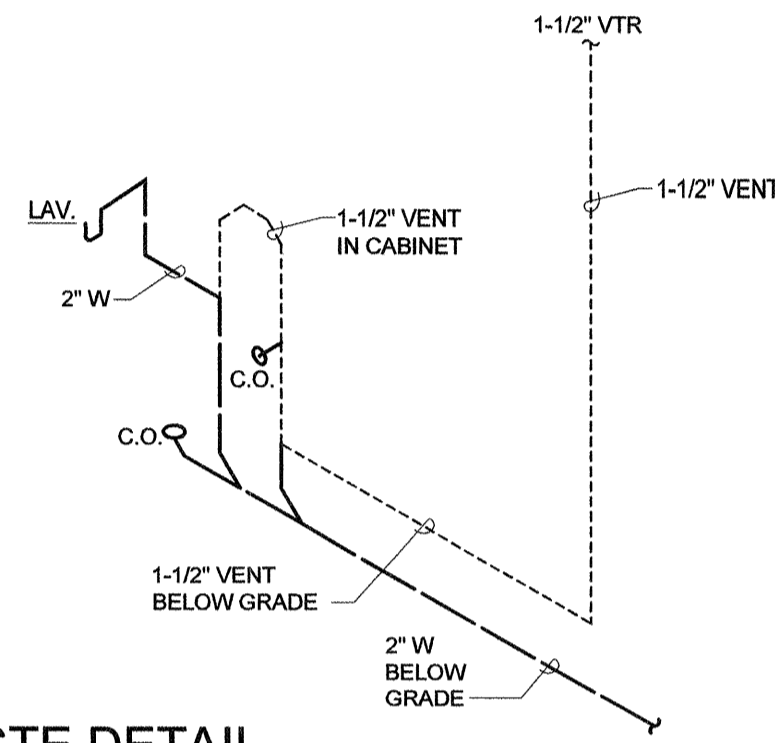
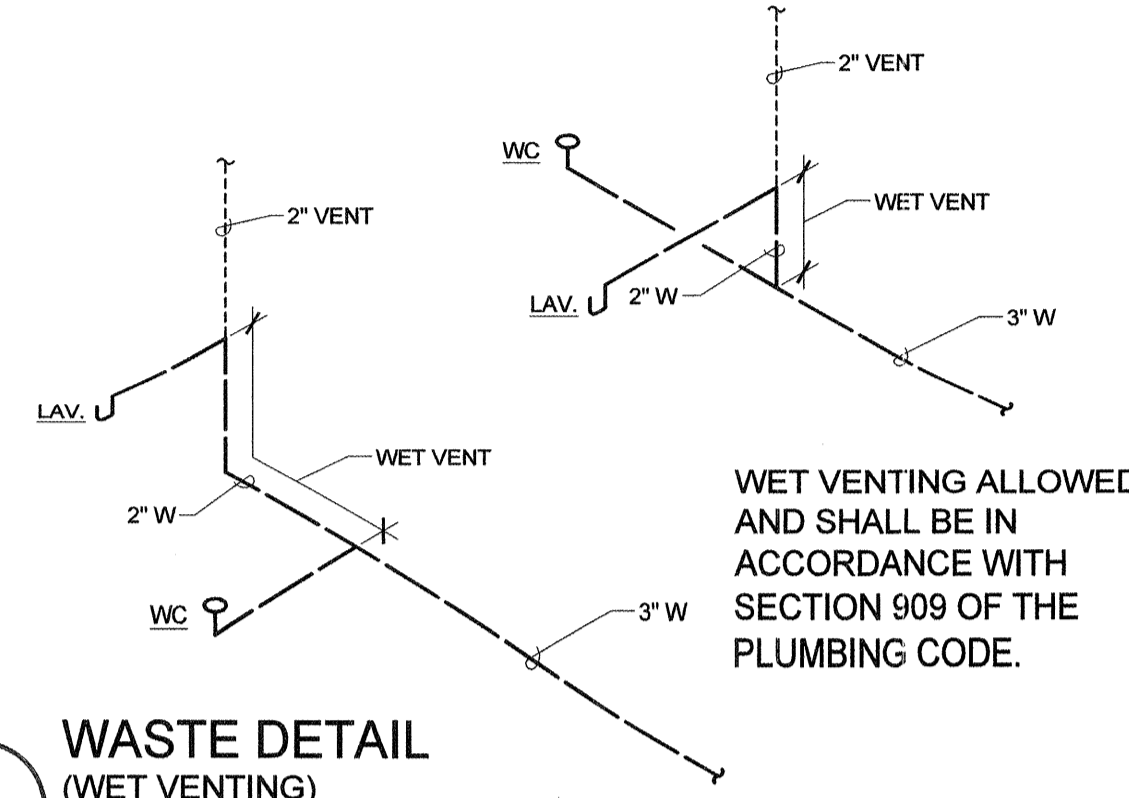


**6 GREASE LINE DIAGRAM**  
SCALE: NTS

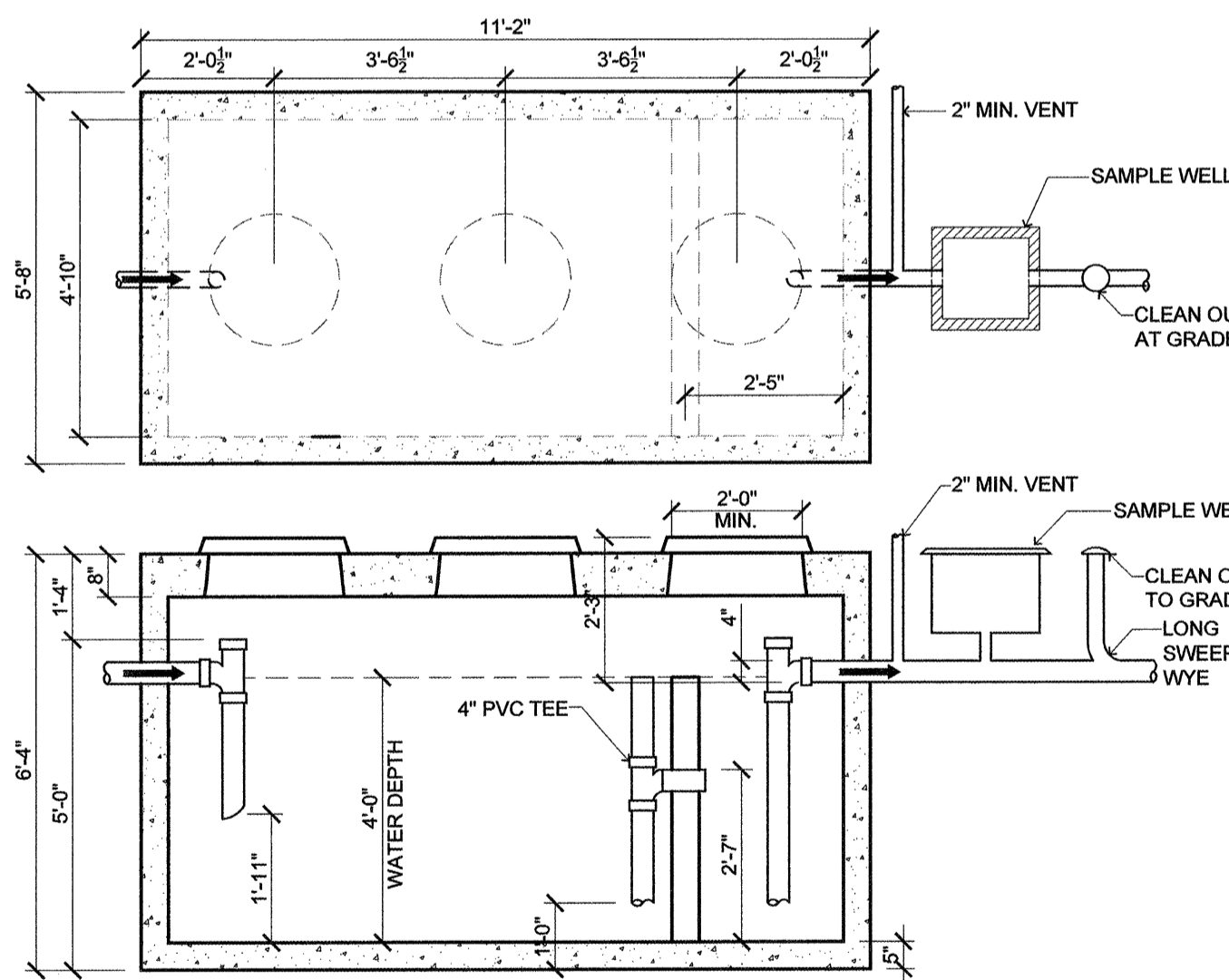
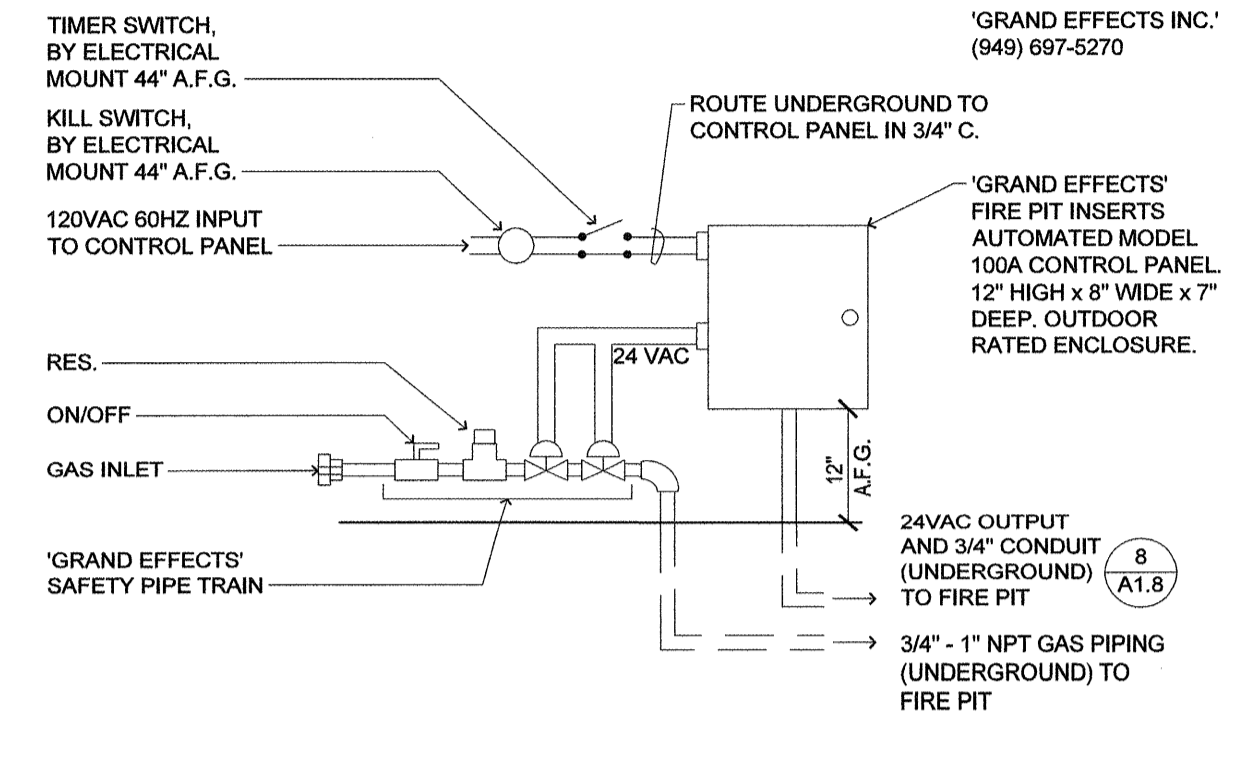
**4 WASTE DETAIL (ISLAND VENTING)**  
SCALE: NTS



**3 WASTE DETAIL (WET VENTING)**  
SCALE: N.T.S.



**2 FIRE PIT CONTROL BOX**  
SCALE: 1" = 1'-0"



**5 GREASE INTERCEPTOR (1500 GALLON OLDCASTLE 5106-GGI-1500)**  
SCALE: 3/8"=1'-0"

Portland, ME Grease Interceptor Sizing			
Type of Fixture	Fixture Count	Fixture Unit Value	Total DFU
Floor sink-3"	8	3	24
Floor Drain	4	3	12
Sink	4	3	12
Total Fixture Units			48
F = (0.3 x DFU) + 20			34.4
Retention Time			30
Storage Factor			1.25
Size of Interceptor Calculated			1290
Round up to next available size			1500

NATURAL GAS PIPE SIZING					18-Aug-15
Portland ME Retirement Residence					
Outlet	Section	Equiv. Length-Ft.	Gas Demand-MBH	Press. (LP or MP)	Pipe Size-Inches
A,B,C,D,E,F (DRYERS)	1	10,20/30.	25	CSST	13/15/15-EHD
REMOVED	2				
REMOVED	3				
I, J, K, L, M, N (KITCHEN)	4	18	625	LP-HEADER	1 1/4
R (FIREPIT)	5	370	625	MP	1
6A	450	775	MP	1 1/4	
6B	115	80	LP	3/4	
6C	350	80	MP	1/2	
6D	10	80	LP	1/2	
6E	350	80	MP	1/2	
6F	350	80	MP	1/2	
6G	350	80	MP	1/2	
6H	350	80	MP	1/2	
6I	350	80	MP	1/2	
6J	350	80	MP	1/2	
6K	350	80	MP	1/2	
6L	350	80	MP	1/2	
6M	350	80	MP	1/2	
6N	350	80	MP	1/2	
6O	350	80	MP	1/2	
6P	350	80	MP	1/2	
6Q	350	80	MP	1/2	
6R	350	80	MP	1/2	
6S	350	80	MP	1/2	
6T	350	80	MP	1/2	
6U	350	80	MP	1/2	
6V	350	80	MP	1/2	
6W	350	80	MP	1/2	
6X	350	80	MP	1/2	
6Y	350	80	MP	1/2	
6Z	350	80	MP	1/2	
6AA	350	80	MP	1/2	
6AB	350	80	MP	1/2	
6AC	350	80	MP	1/2	
6AD	350	80	MP	1/2	
6AE	350	80	MP	1/2	
6AF	350	80	MP	1/2	
6AG	350	80	MP	1/2	
6AH	350	80	MP	1/2	
6AI	350	80	MP	1/2	
6AJ	350	80	MP	1/2	
6AK	350	80	MP	1/2	
6AL	350	80	MP	1/2	
6AM	350	80	MP	1/2	
6AN	350	80	MP	1/2	
6AO	350	80	MP	1/2	
6AP	350	80	MP	1/2	
6AQ	350	80	MP	1/2	
6AR	350	80	MP	1/2	
6AS	350	80	MP	1/2	
6AT	350	80	MP	1/2	
6AU	350	80	MP	1/2	
6AV	350	80	MP	1/2	
6AW	350	80	MP	1/2	
6AX	350	80	MP	1/2	
6AY	350	80	MP	1/2	
6AZ	350	80	MP	1/2	
6BA	350	80	MP	1/2	
6BB	350	80	MP	1/2	
6BC	350	80	MP	1/2	
6BD	350	80	MP	1/2	
6BE	350	80	MP	1/2	
6BF	350	80	MP	1/2	
6BG	350	80	MP	1/2	
6BH	350	80	MP	1/2	
6BI	350	80	MP	1/2	
6BJ	350	80	MP	1/2	
6BK	350	80	MP	1/2	
6BL	350	80	MP	1/2	
6BM	350	80	MP	1/2	
6BN	350	80	MP	1/2	
6BO	350	80	MP	1/2	
6BP	350	80	MP	1/2	
6BQ	350	80	MP	1/2	
6BR	350	80	MP	1/2	
6BS	350	80	MP	1/2	
6BT	350	80	MP	1/2	
6BU	350	80	MP	1/2	
6BV	350	80	MP	1/2	
6BW	350	80	MP	1/2	
6BX	350	80	MP	1/2	
6BY	350	80	MP	1/2	
6BZ	350	80	MP	1/2	
6CA	350	80	MP	1/2	
6CB	350	80	MP	1/2	
6CC	350	80	MP	1/2	
6CD	350	80	MP	1/2	
6CE	350	80	MP	1/2	
6CF	350	80	MP	1/2	
6CG	350	80	MP	1/2	
6CH	350	80	MP	1/2	
6CI	350	80	MP	1/2	
6CJ	350	80	MP	1/2	
6CK	350	80	MP	1/2	
6CL	350	80	MP	1/2	
6CM	350	80	MP	1/2	
6CN	350	80	MP	1/2	
6CO	350	80	MP	1/2	
6CP	350	80	MP	1/2	
6CQ	350	80	MP	1/2	
6CR	350	80	MP	1/2	
6CS	350	80	MP	1/2	
6CT	350	80	MP	1/2	
6CU	350	80	MP	1/2	
6CV	350	80	MP	1/2	
6CW	350	80	MP	1/2	
6CX	350	80	MP	1/2	
6CY	350	80	MP	1/2	
6CZ	350	80	MP	1/2	
6DA	350	80	MP	1/2	
6DB	350	80	MP	1/2	
6DC	350	80	MP	1/2	
6DD	350	80	MP	1/2	
6DE	350	80	MP	1/2	
6DF	350	80	MP	1/2	
6DG	350	80	MP	1/2	
6DH	350	80	MP	1/2	
6DI	350	80	MP	1/2	
6DJ	350	80	MP	1/2	
6DK	350	80	MP	1/2	
6DL	350	80	MP	1/2	
6DM	350	80	MP	1/2	
6DN	350	80	MP	1/2	
6DO	350	80	MP	1/2	
6DP	350	80	MP	1/2	
6DQ	350	80	MP	1/2	
6DR	350	80	MP	1/2	
6DS	350	80	MP	1/2	
6DT	350	80	MP	1/2	
6DU	350	80	MP	1/2	
6DV	350	80	MP	1/2	
6DW	350	80	MP	1/2	
6DX	350	80	MP	1/2	
6DY	350	80	MP	1/2	
6DZ	350	80	MP	1/2	
6EA	350	80	MP	1/2	
6EB	350	80	MP	1/2	
6EC	350	80	MP	1/2	
6ED	350	80	MP	1/2	
6EE	350	80	MP	1/2	
6EF	350	80	MP	1/2	
6EG	350	80	MP	1/2	
6EH	350	80	MP	1/2	
6EI	350	80	MP	1/2	
6EJ	350	80	MP	1/2	
6EK	350	80	MP	1/2	
6EL	350	80	MP	1/2	
6EM	350	80	MP	1/2	
6EN	350	80	MP	1/2	
6EO	350	80	MP	1/2	
6EP	350	80	MP	1/2	
6EQ	350	80	MP	1/2	
6ER	350	80	MP	1/2	
6ES	350	80	MP	1/2	
6ET	350	80	MP	1/2	
6EU	350	80	MP	1/2	
6EV	350	80	MP	1/2	
6EW	350	80	MP	1/2	
6EX	350	80	MP	1/2	
6EY	350	80	MP	1/2	
6EZ	350	80	MP	1/2	
6FA	350	80	MP	1/2	
6FB	350	80	MP	1/2	
6FC	350	80	MP	1/2	
6FD	350	80	MP	1/2	
6FE	350	80	MP	1/2	
6FF	350	80	MP	1/2	
6FG	350	80	MP	1/2	
6FH	350	80	MP	1/2	
6FI	350	80	MP	1/2	
6FJ	350	80	MP	1/2	
6FK	350	80	MP	1/2	
6FL	350	80	MP	1/2	
6FM	350	80	MP	1/2	
6FN	350	80	MP	1/2	
6FO	350	80	MP	1/2	
6FP	350	80	MP	1/2	
6FQ	350	80	MP	1/2	
6FR	350	80	MP	1/2	
6FS	350	80	MP	1/2	
6FT	350	80	MP	1/2	
6FU	350	80	MP	1/2	
6FV	350	80	MP	1/2	
6FW	350	80	MP	1/2	
6FX	350	80	MP	1/2	
6FY	350	80	MP	1/2	
6FZ	350	80	MP	1/2	
6GA	350	80	MP	1/2	
6GB	350	80	MP	1/2	
6GC	350	80	MP	1/2	
6GD	350	80	MP	1/2	
6GE	350	80	MP	1/2	
6GF	350	80	MP	1/2	
6GG	350	80	MP	1/2	
6GH	350	80	MP	1/2	
6GI	350	80	MP	1/2	
6GJ	350	80	MP	1/2	
6GK	350	80	MP	1/2	
6GL	350	80	MP	1/2	
6GM	350	80	MP	1/2	
6GN	350	80	MP	1/2	
6GO	350	80	MP	1/2	
6GP	350	80	MP	1/2	
6GQ	350	80	MP	1/2	
6GR	350	80	MP	1/2	
6GS	350	80	MP	1/2	
6GT	350	80	MP	1/2	
6GU	350	80	MP	1/2	
6GV	350	80	MP	1/2	
6GW	350	80	MP	1/2	
6GX	350	80	MP	1/2	
6GY	350	80	MP	1/2	
6GZ	350	80	MP	1/2	
6HA	350	80	MP	1/2	
6HB	350	80	MP	1/2	
6HC	350	80	MP	1/2	
6HD	350	80	MP	1/2	
6HE	350	80	MP	1/2	
6HF	350	80	MP	1/2	
6HG	350	80	MP	1/2	
6HH	350	80	MP	1/2	
6HI	350	80	MP	1/2	
6HJ	350	80	MP	1/2	
6HK	350	80	MP	1/2	
6HL	350	80	MP	1/2	
6HM	350	80	MP	1/2	
6HN	350	80	MP	1/2	
6HO	350	80	MP	1/2	
6HP	350	80	MP	1/2	
6HQ	350	80	MP		