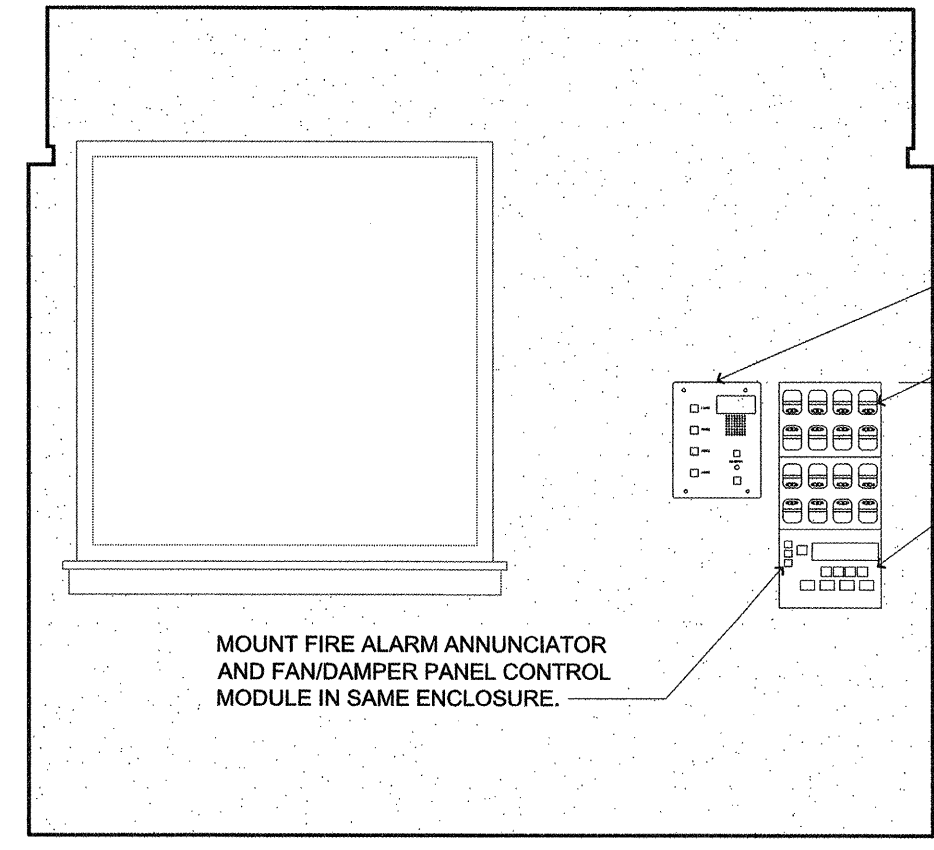
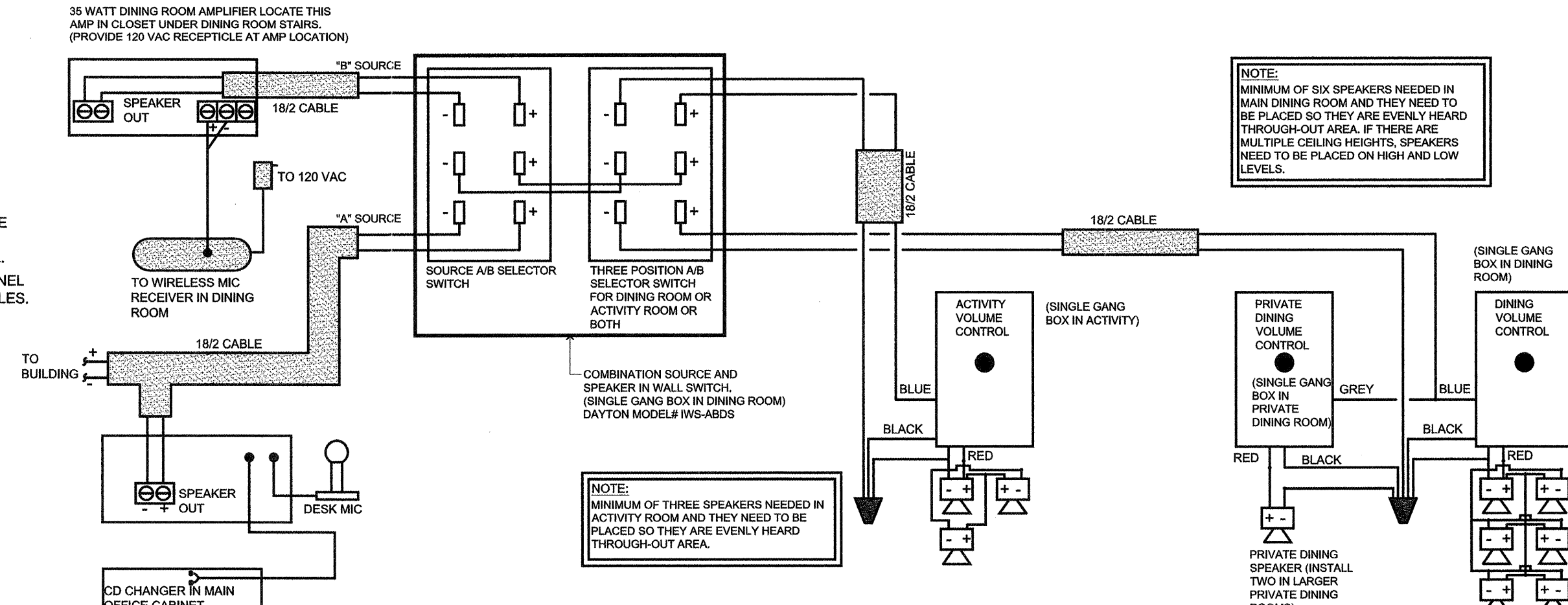


NOT USED



12 PARTIAL ELEVATION (FOYER 150)

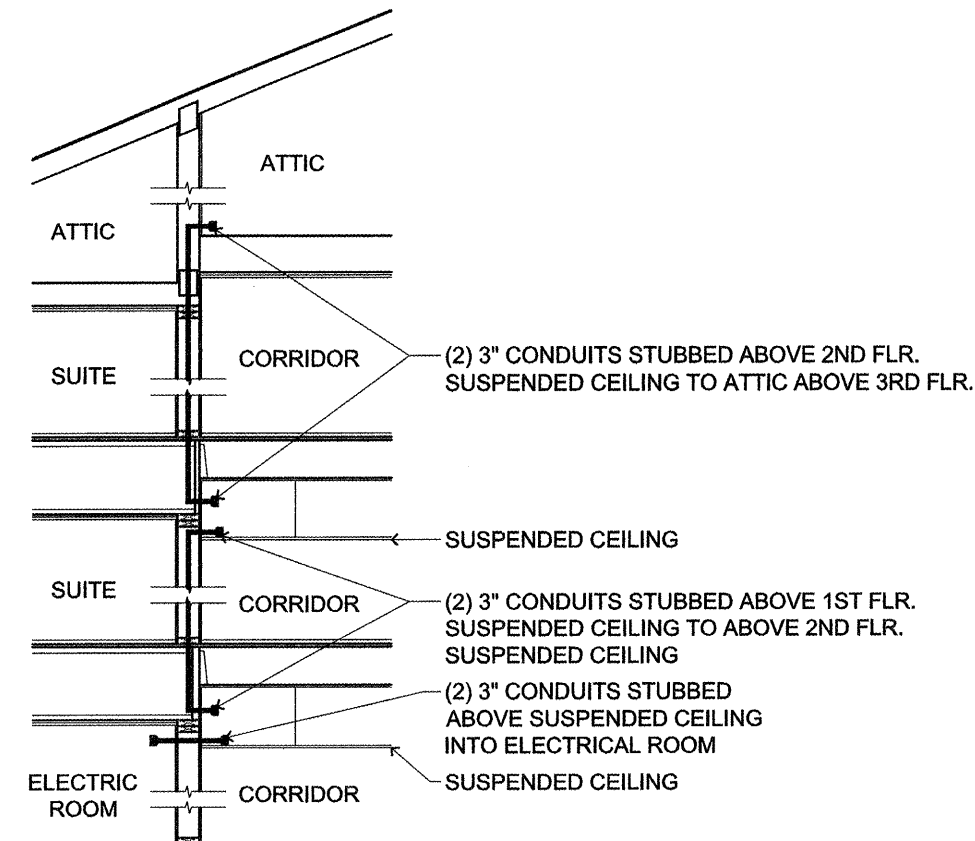
SCALE: 1/2" = 1'-0"



8 DINING / ACTIVITY PA SPEAKERS

SCALE: NOT TO SCALE

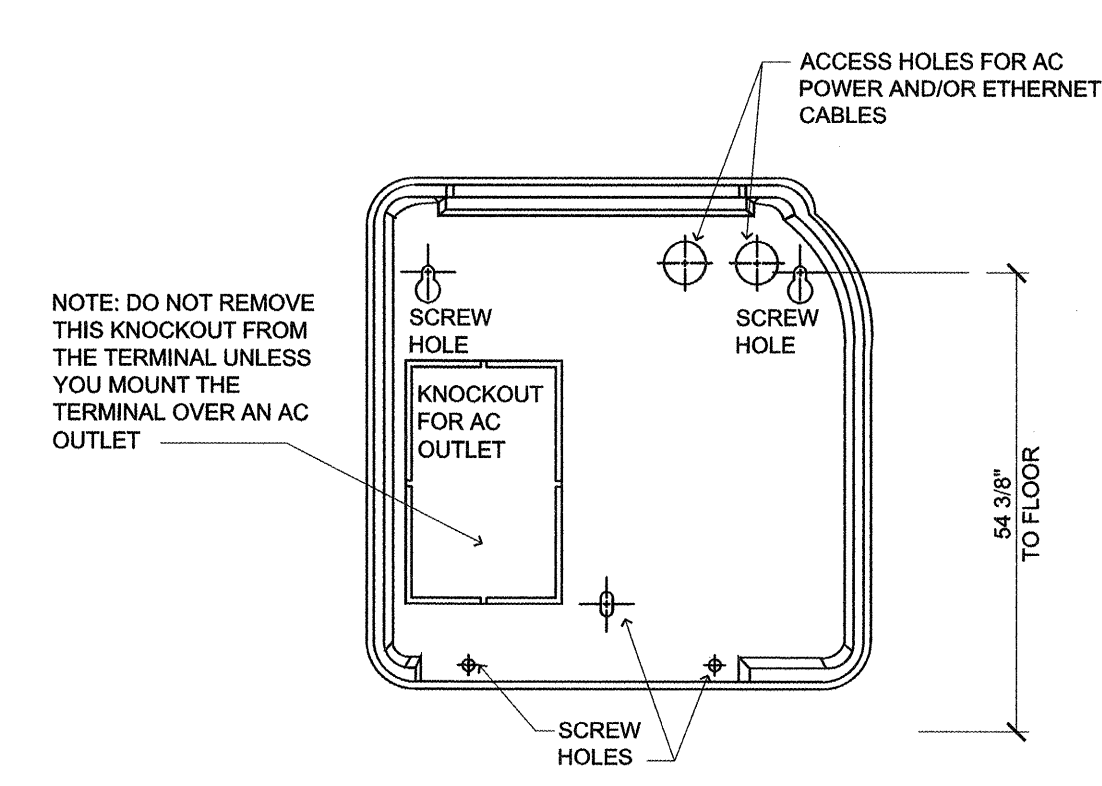
16



19 LOW VOLTAGE CONDUIT FLOOR TO FLOOR

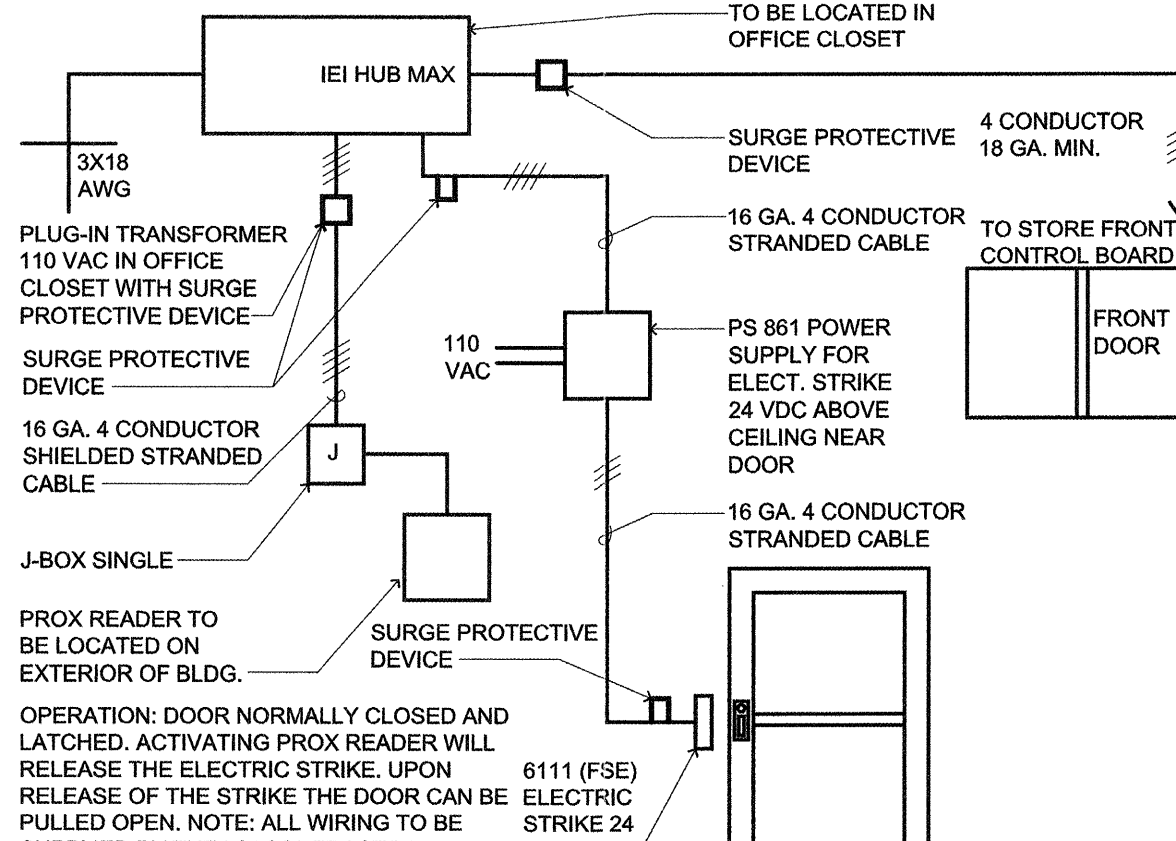
SCALE: NOT TO SCALE

- NOTES: 1. ONLY SMOKE DETECTORS IN ELEVATOR LOBBIES AND IN ELEVATOR MACHINE ROOM USED FOR RECALL. 2. ALTERNATE FLOOR ELEVATOR RECALL SMOKE DETECTOR APPLIES ONLY IF THREE STORIES OR TRAVEL GREATER THAN 20'. 3. FIRST FLOOR ELEVATOR RECALL SMOKE DETECTOR, IF SMOKE IS DETECTED ON FIRST FLOOR, THEN ELEVATOR SHALL RECALL TO ALTERNATE FLOOR. 4. ALTERNATE LOCATION OF ELEVATOR SHAFT DETECTOR IF CLEARANCE ON OTHER SIDE IS NOT AVAILABLE. 5. LOCATE ELEVATOR HEAT DETECTOR ACCESS IN CEILING A MIN. OF 36" CLEARANCE. IF CLEARANCE IS NOT AVAILABLE, USE ALTERNATE LOCATION. ATTACH WHITE NAMEPLATE WITH 1/4" RED LETTERS AT CEILING ACCESS TO READ: "ELEVATOR SHAFT DETECTOR ACCESS". 6. FIXED-TEMPERATURE TYPE 195 DEGREE (F) HEAT DETECTOR FOR ELEVATOR DISCONNECT SHUNT-TRIP. LOCATE WITHIN 24" OF SPRINKLER HEAD. VERIFY WITH FIRE SPRINKLER CONTRACTOR THAT SPRINKLER HEAD IS 215 DEGREE (F) RATED. 7. FIRE SPRINKLER HEAD. 8. FIRE ALARM CONTROL MODULE RELAY (TYP.) 9. JUNCTION BOX FOR TELEPHONE CABLES TO ELEVATOR CAR. EXTEND TO ELEVATOR CONTROLLER AS REQ., VIA 1" CONDUIT. 10. FIXED-TEMPERATURE TYPE, 195 DEGREE (F) HEAT DETECTOR FOR ELEVATOR SHUNT-TRIP. PROVIDE CONTROL MODULE RELAY, IF REQUIRED. COORDINATE WITH FIRE SPRINKLERS PER ELEVATOR AND NFPA FIRE ALARM CODE.



11 TIME CLOCK

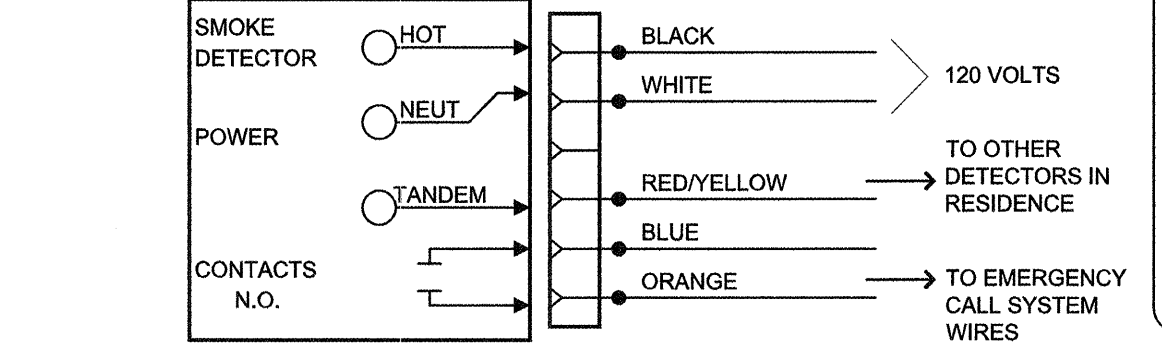
SCALE: NOT TO SCALE



7 ACCESS DOOR CARD READER SYSTEM HUB MAX SYSTEM

SCALE: NOT TO SCALE

3 STANDARD SUITE: GN-503F CO DETECTOR



RELAY CONTACTS RATED LOAD RESISTIVE 0.5 AMP AT 120 VAC MAX OR 1 AMP AT 24 VDC MAX. NOTE: ALL DETECTORS IN SAME LIVING UNIT MUST BE ON SAME 120V CIRCUIT. USE LIGHTING CIRCUIT. NO EXCEPTIONS.

ROOM SMOKE/CO DETECTOR

SCALE: N.T.S.

11

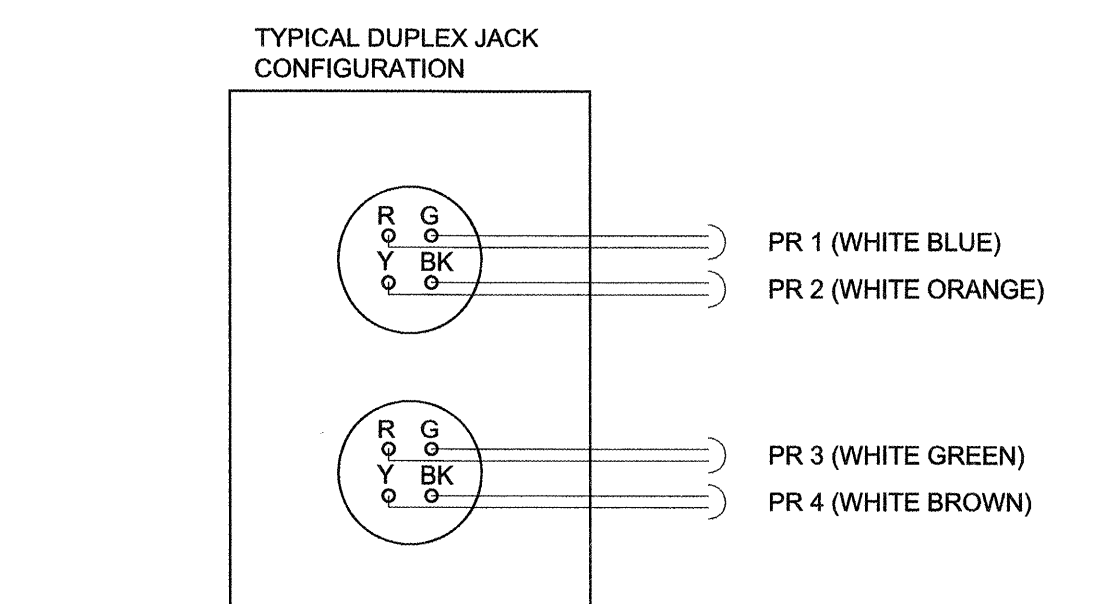
SCALE: NOT TO SCALE

7

SCALE: NOT TO SCALE

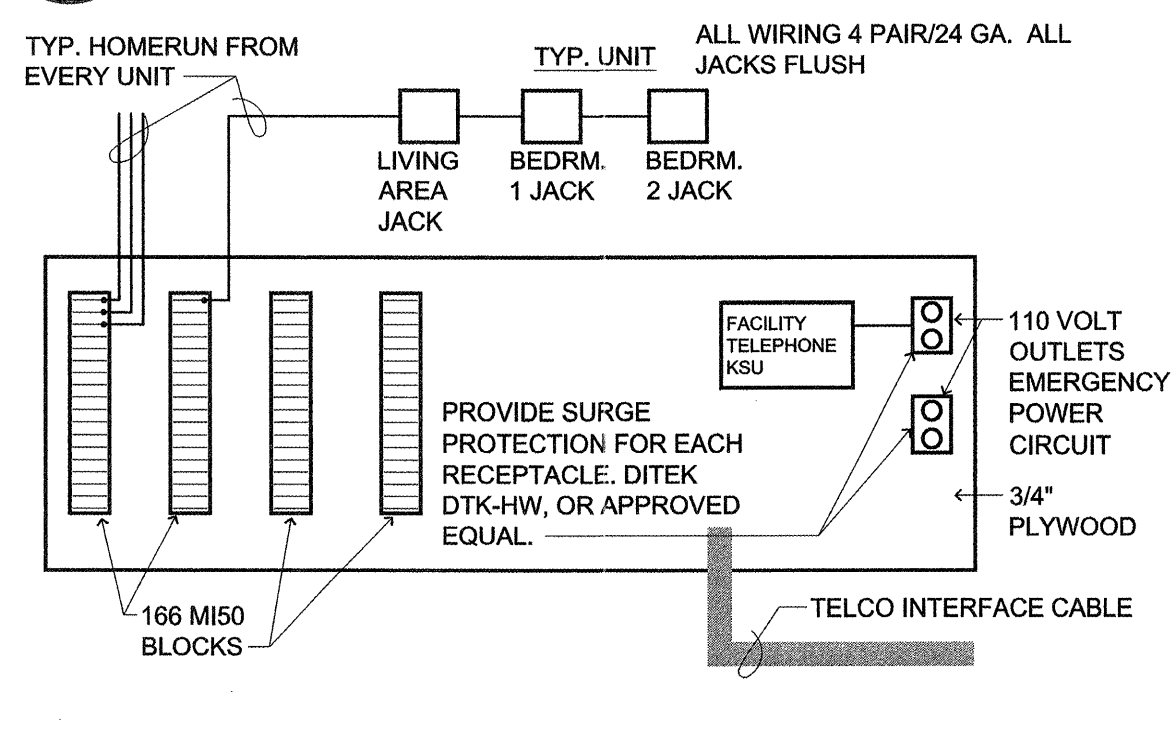
3

SCALE: N.T.S.



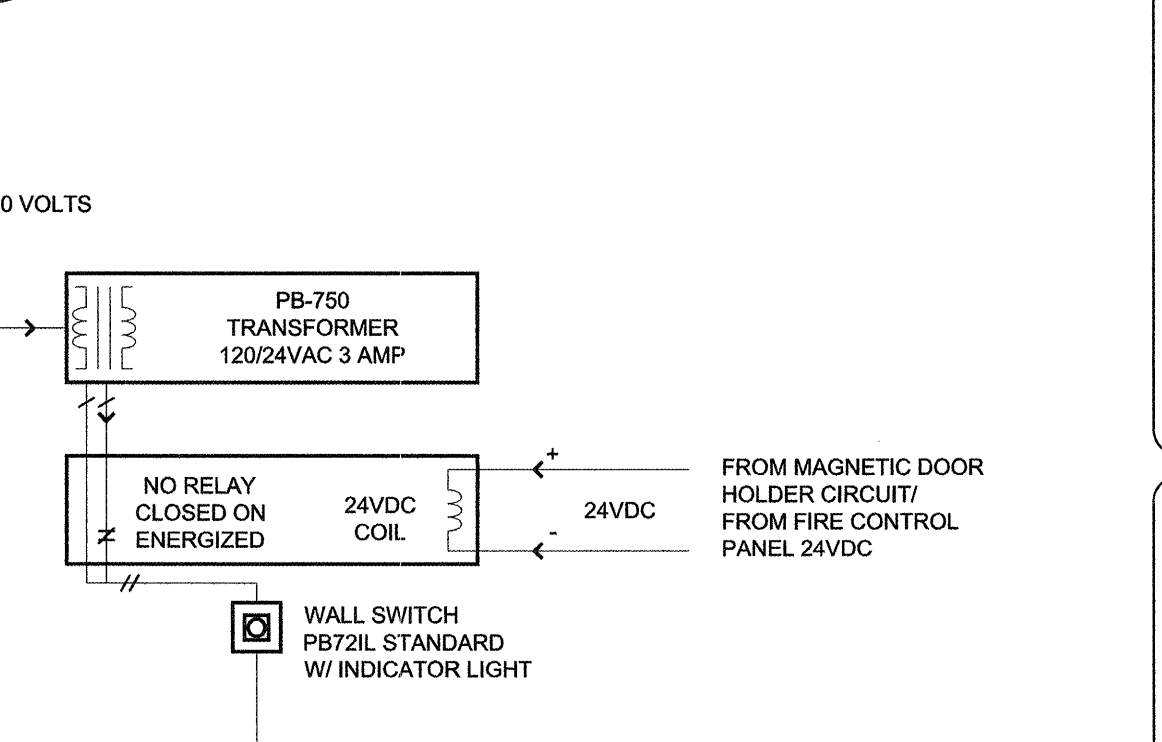
10 TYPICAL PHONE JACK

SCALE: NOT TO SCALE



6 RESIDENT UNIT TELEPHONE WIRING

SCALE: NOT TO SCALE



2 ELECTRONIC STRIKE (POWER SYSTEM)

SCALE: NOT TO SCALE

10

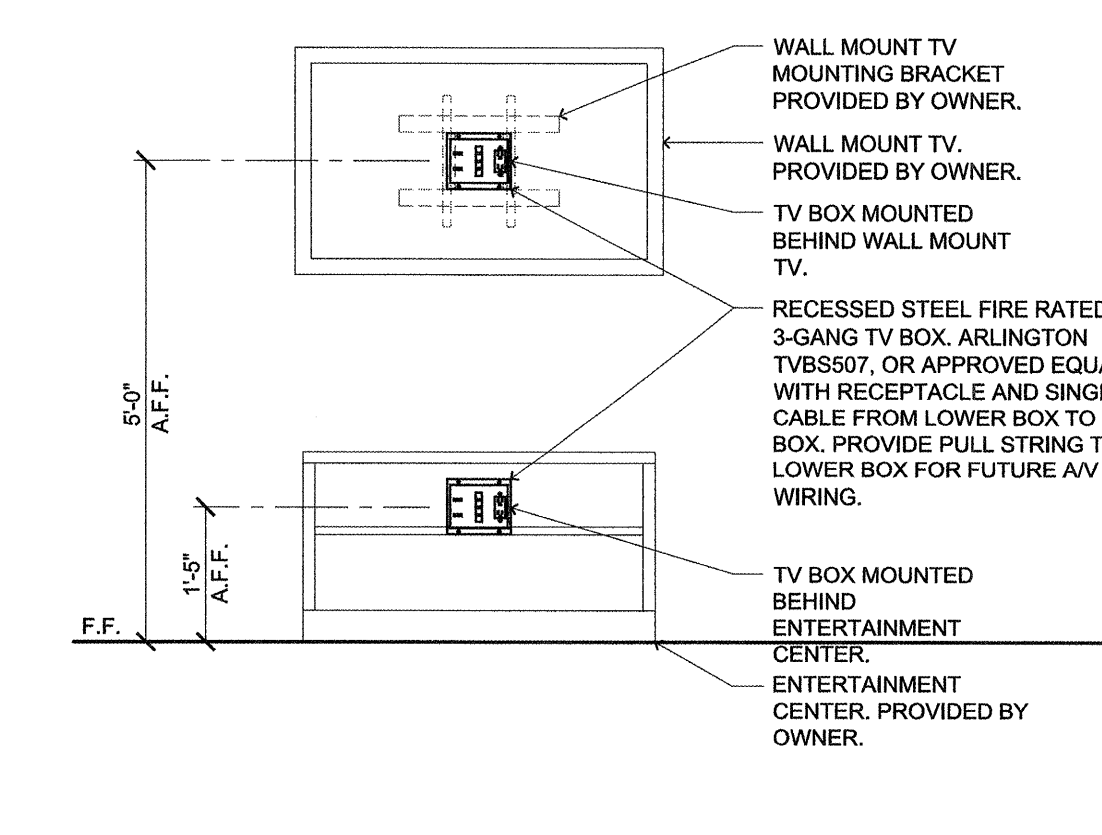
SCALE: NOT TO SCALE

6

SCALE: NOT TO SCALE

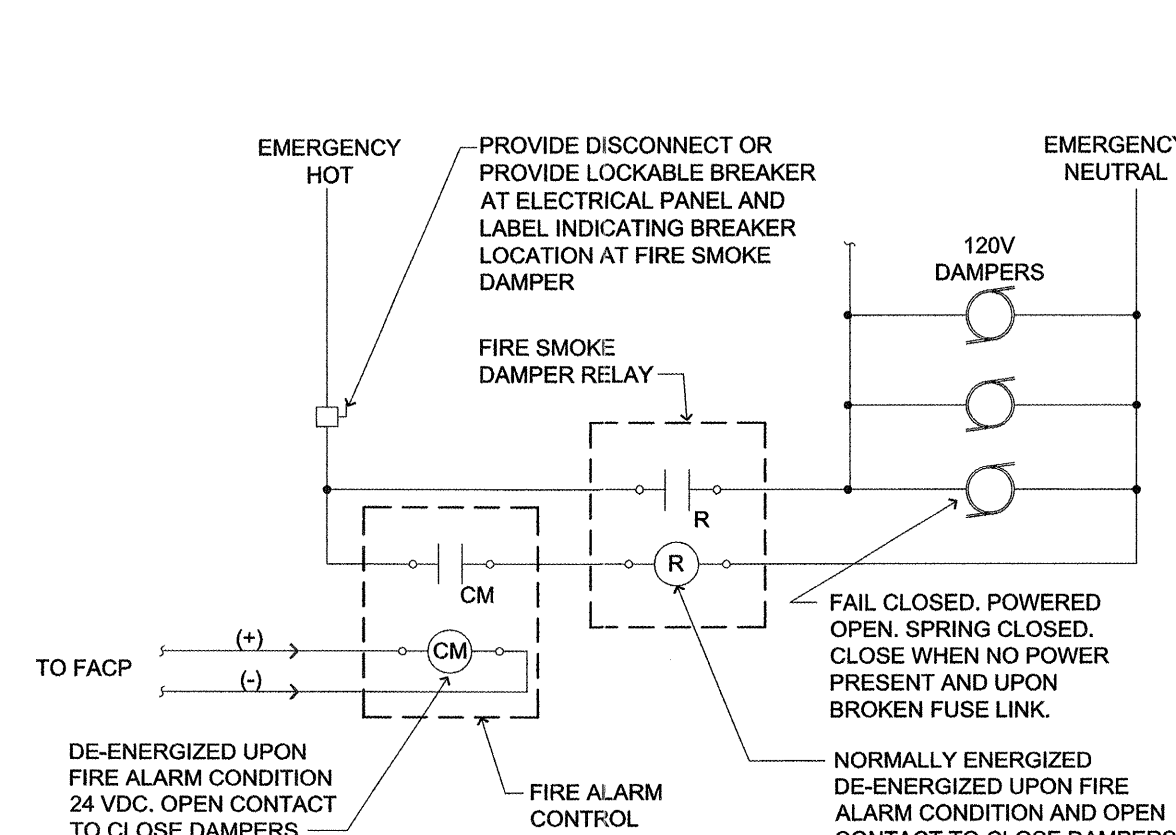
2

SCALE: NOT TO SCALE



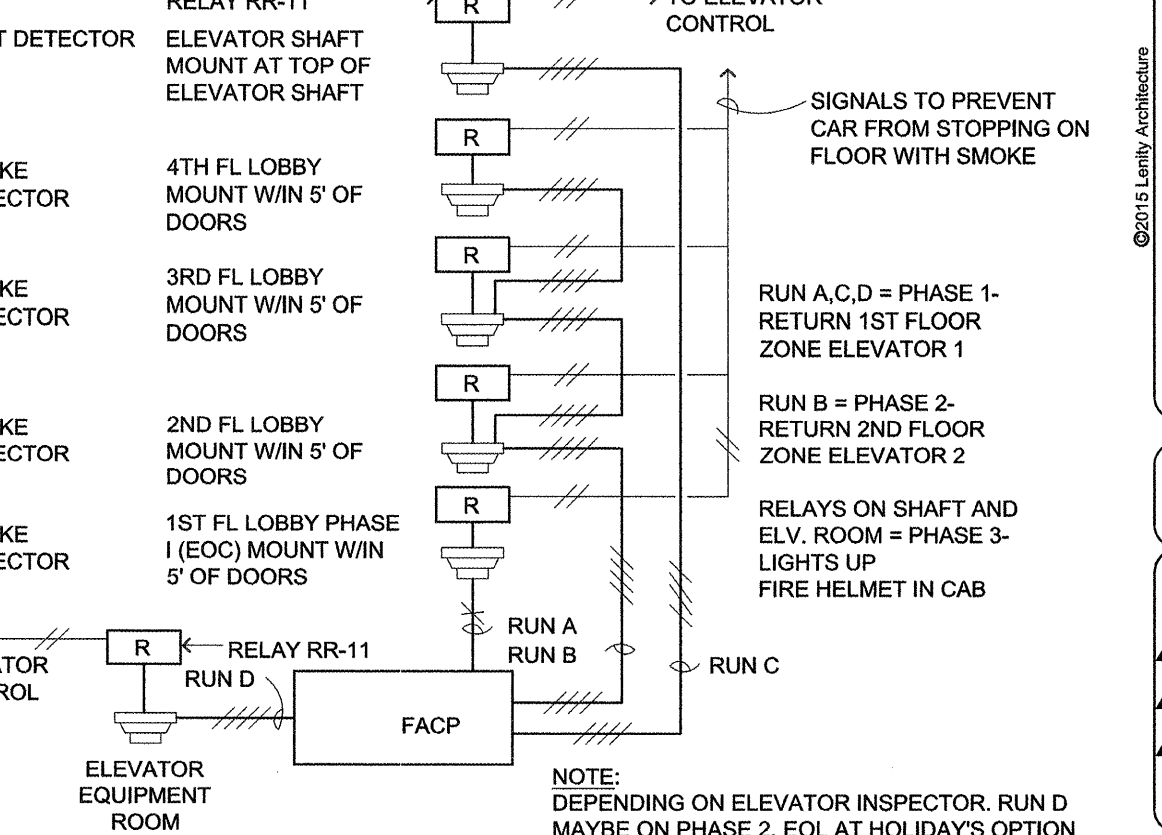
9 WALL MOUNT TV ELECTRICAL INSTALLATION

SCALE: 1/2" = 1'-0"



5 FIRE/SMOKE DAMPER CONTROL

SCALE: N.T.S.



1 ELEVATOR FIRE SERVICE

SCALE: N.T.S.

9

SCALE: 1/2" = 1'-0"

5

SCALE: N.T.S.

1

SCALE: N.T.S.

10

SCALE: NOT TO SCALE

6

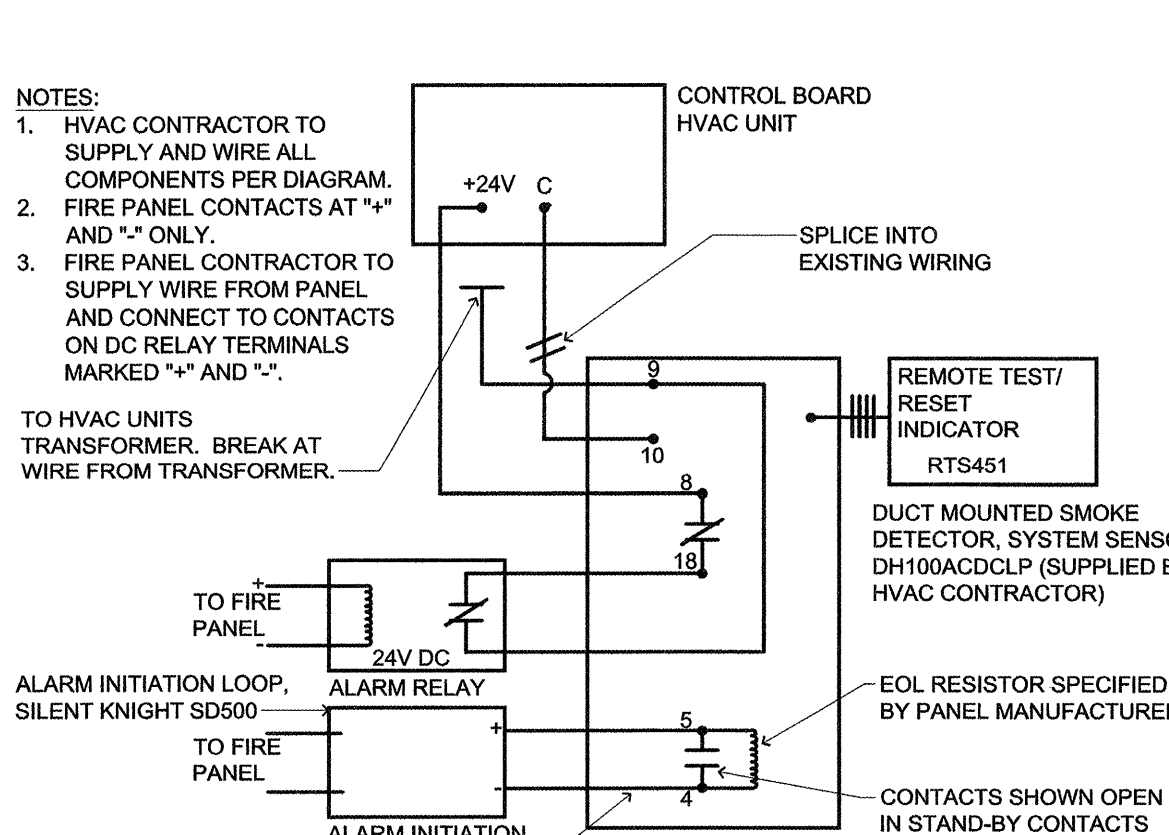
SCALE: NOT TO SCALE

2

SCALE: NOT TO SCALE

14

SCALE: NOT TO SCALE



13 FIRE ALARM/AC UNIT SHUTDOWN

SCALE: N.T.S.

9

SCALE: 1/2" = 1'-0"

5

SCALE: N.T.S.

1

SCALE: N.T.S.

10

SCALE: NOT TO SCALE

6

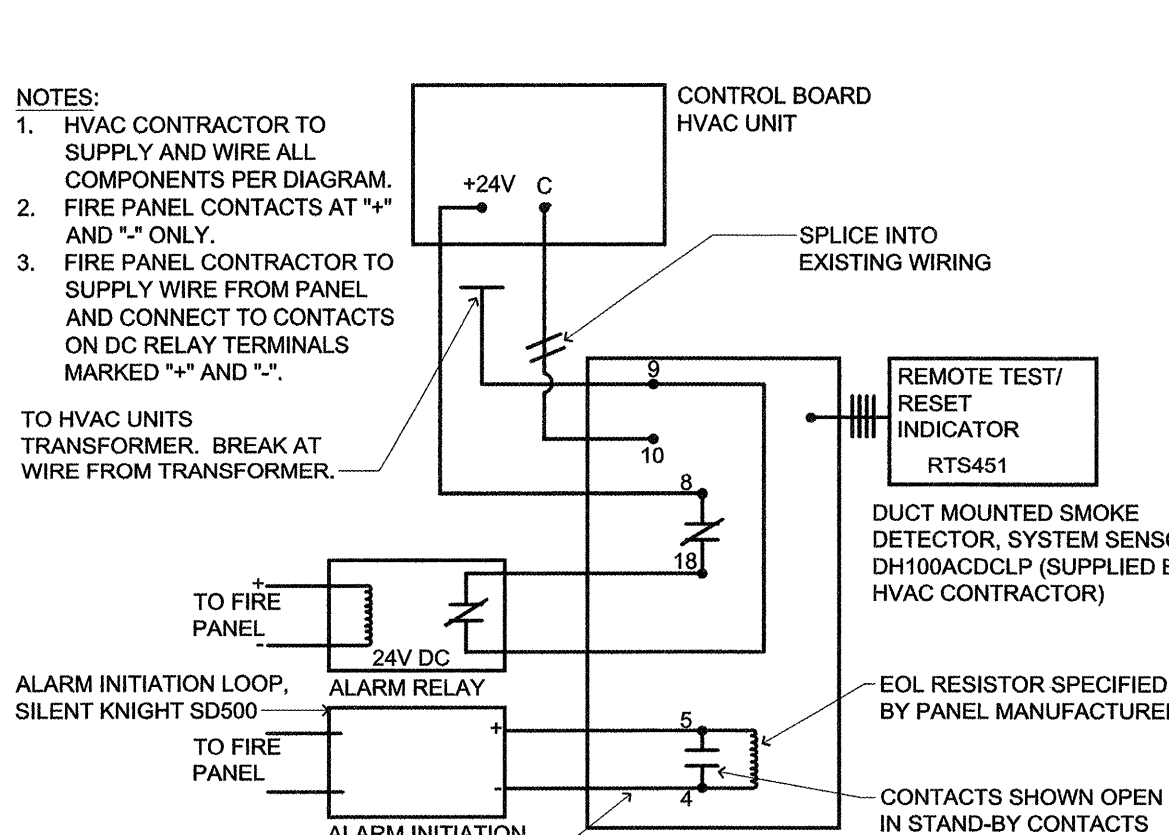
SCALE: NOT TO SCALE

2

SCALE: NOT TO SCALE

14

SCALE: NOT TO SCALE



13 FIRE ALARM/AC UNIT SHUTDOWN

SCALE: N.T.S.

9

SCALE: 1/2" = 1'-0"

5

SCALE: N.T.S.

1

SCALE: N.T.S.

10

SCALE: NOT TO SCALE

6

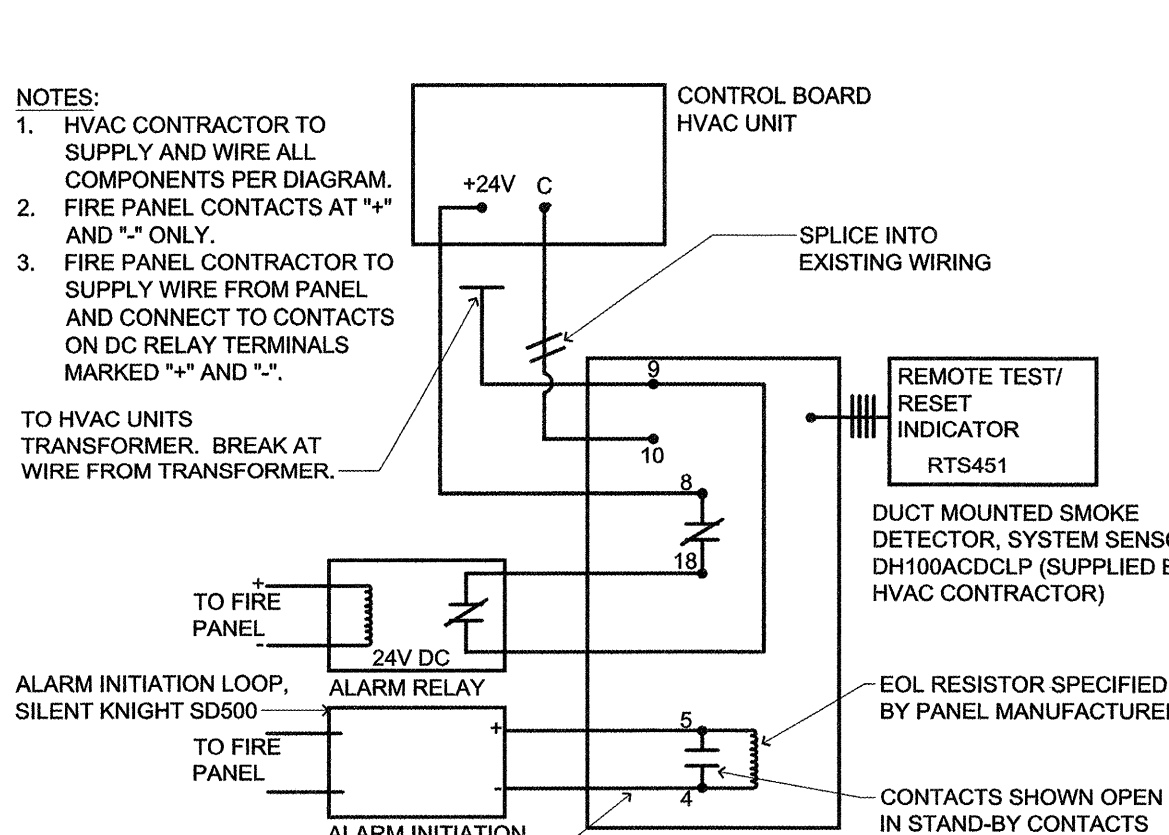
SCALE: NOT TO SCALE

2

SCALE: NOT TO SCALE

14

SCALE: NOT TO SCALE



13 FIRE ALARM/AC UNIT SHUTDOWN

SCALE: N.T.S.

9

SCALE: 1/2" = 1'-0"

5

SCALE: N.T.S.

1

SCALE: N.T.S.

10

SCALE: NOT TO SCALE

6

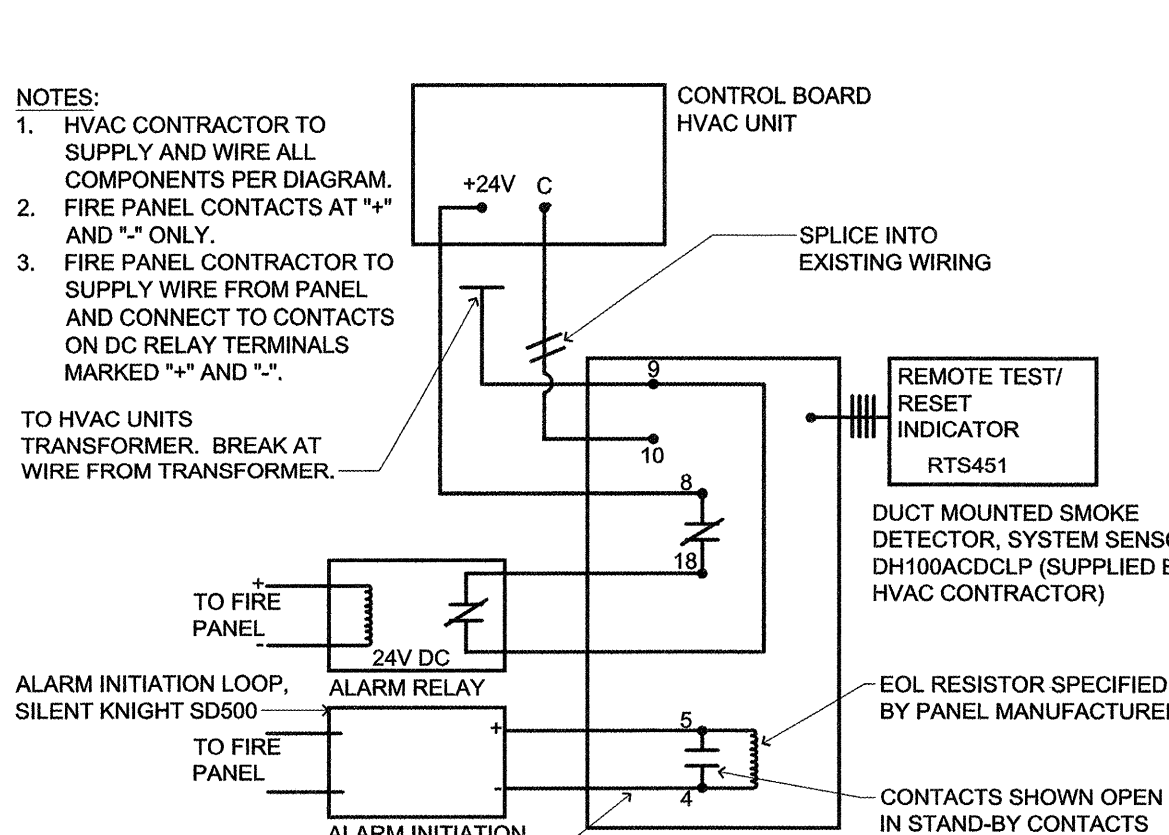
SCALE: NOT TO SCALE

2

SCALE: NOT TO SCALE

14

SCALE: NOT TO SCALE



13 FIRE ALARM/AC UNIT SHUTDOWN

SCALE: N.T.S.

9

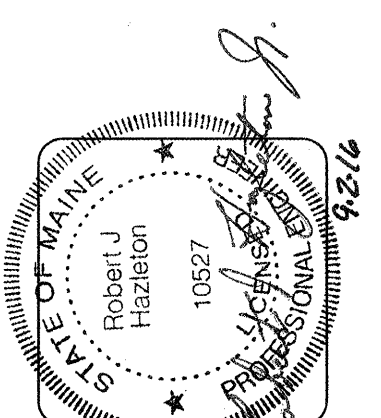
SCALE: 1/2" = 1'-0"

5

SCALE: N.T.S.

1

SCALE: N.T.S.



lenity architecture logo and contact information: 3150 Kettle Court SE, Salem, Oregon 97302, Phone (503) 596-7401.

COLSON AND COLSON GENERAL CONTRACTOR, INC. 2280 McGillchrist Street, SE, Suite 200 Salem, Oregon, 97302 Phone (503) 596-7401

PORTLAND RETIREMENT RESIDENCE 802 OCEAN AVE. PORTLAND, MAINE 04103

LOW VOLTAGE DIAGRAMS/DETAILS

DATE: 8/28/2015, REVISED DATE: 9/22/2015, 2/2/2016, 7/18/2016, SHEET E4.2