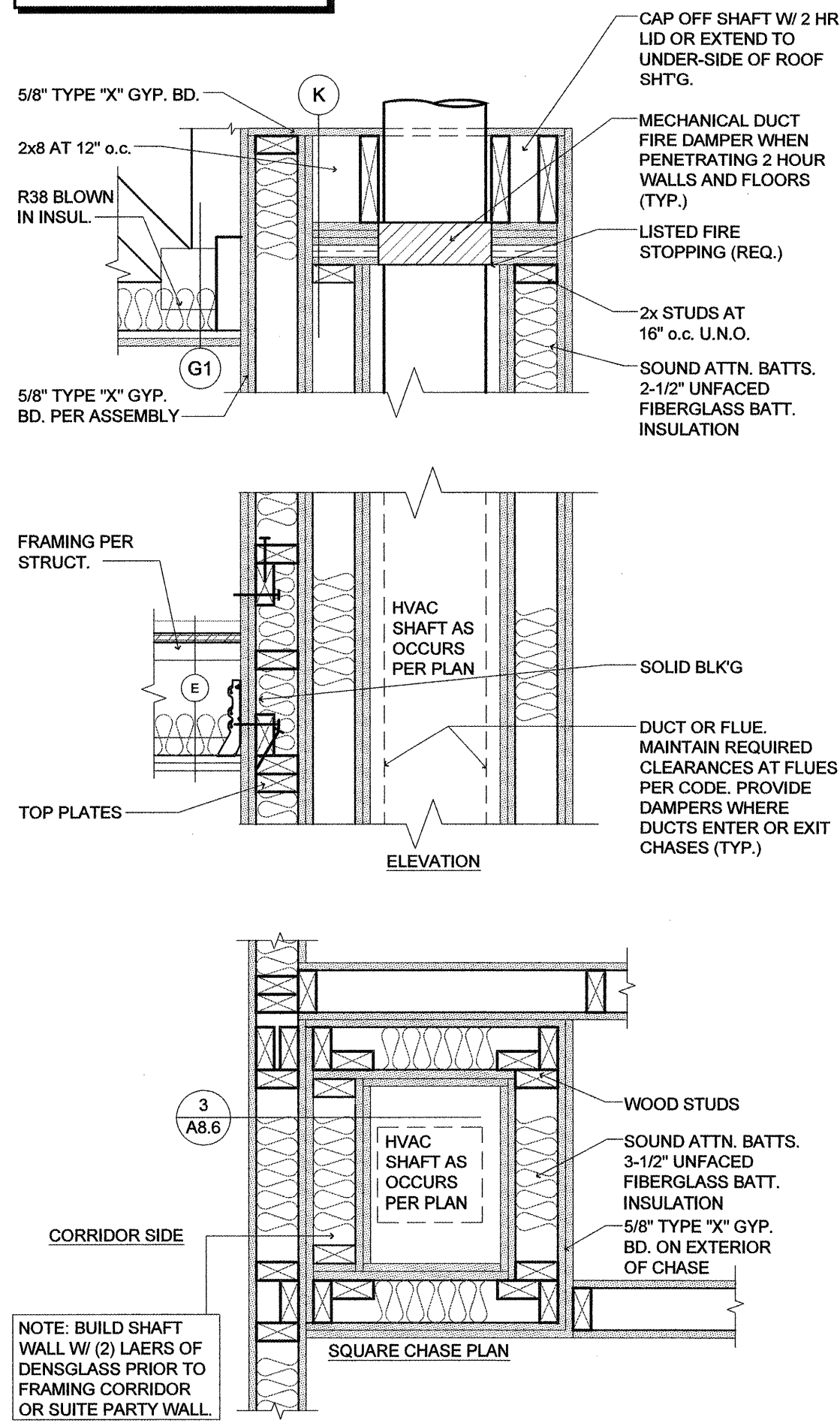
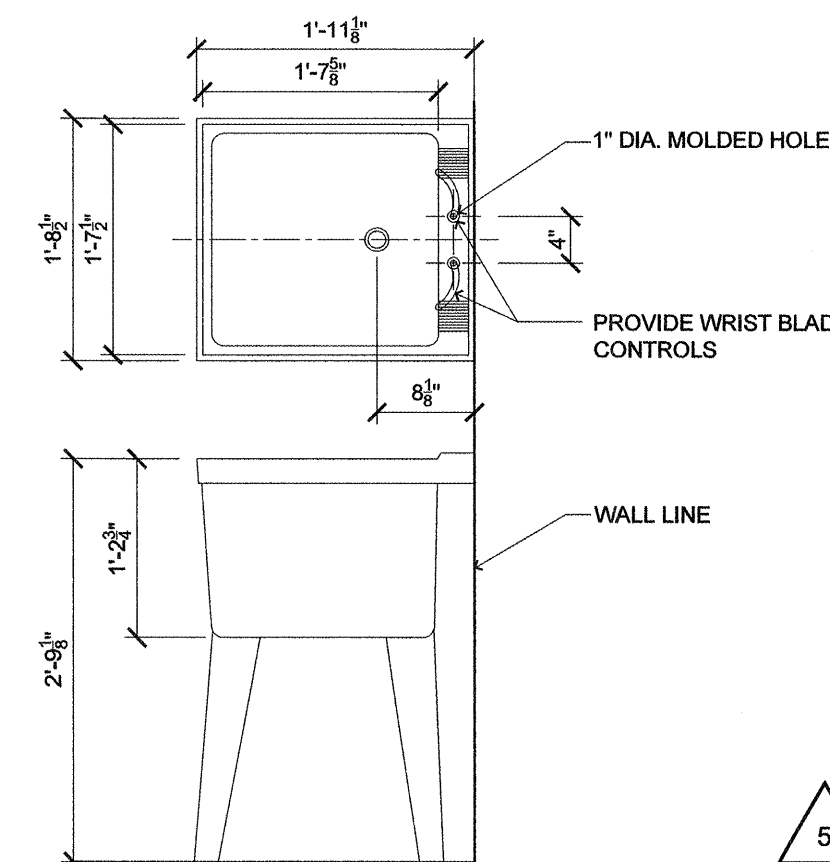


FOR DUCT PENETRATION THROUGH CORRIDOR WALL SEE DETL. 11/A8.9

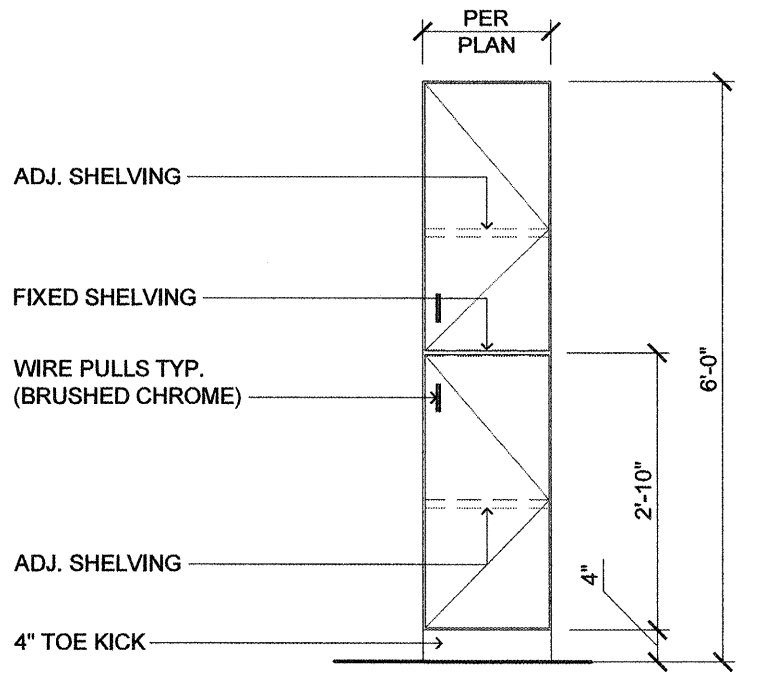


NOT USED

12



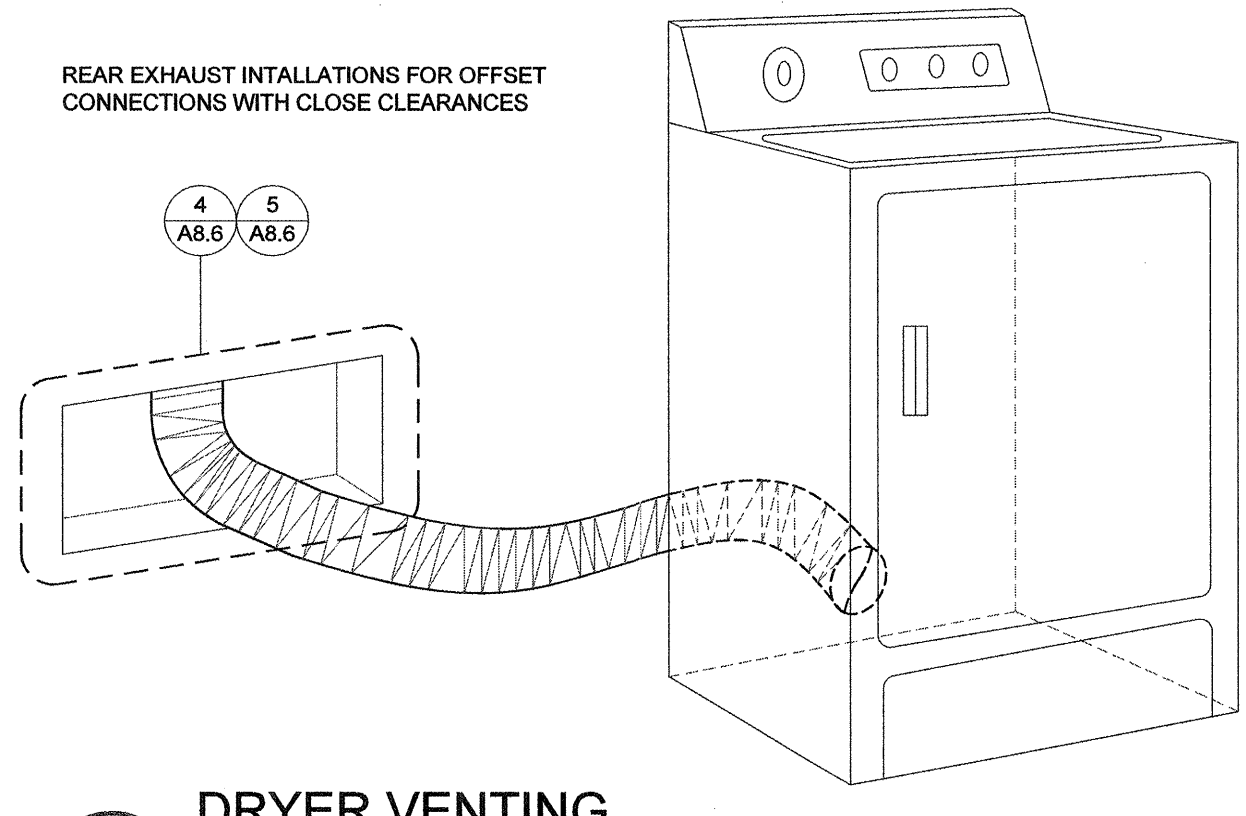
11 WASH TUB (TYPICAL) SCALE: 3/4\"/>



10 BATHROOM STORAGE (ELEVATION) SCALE: 1/2\"/>

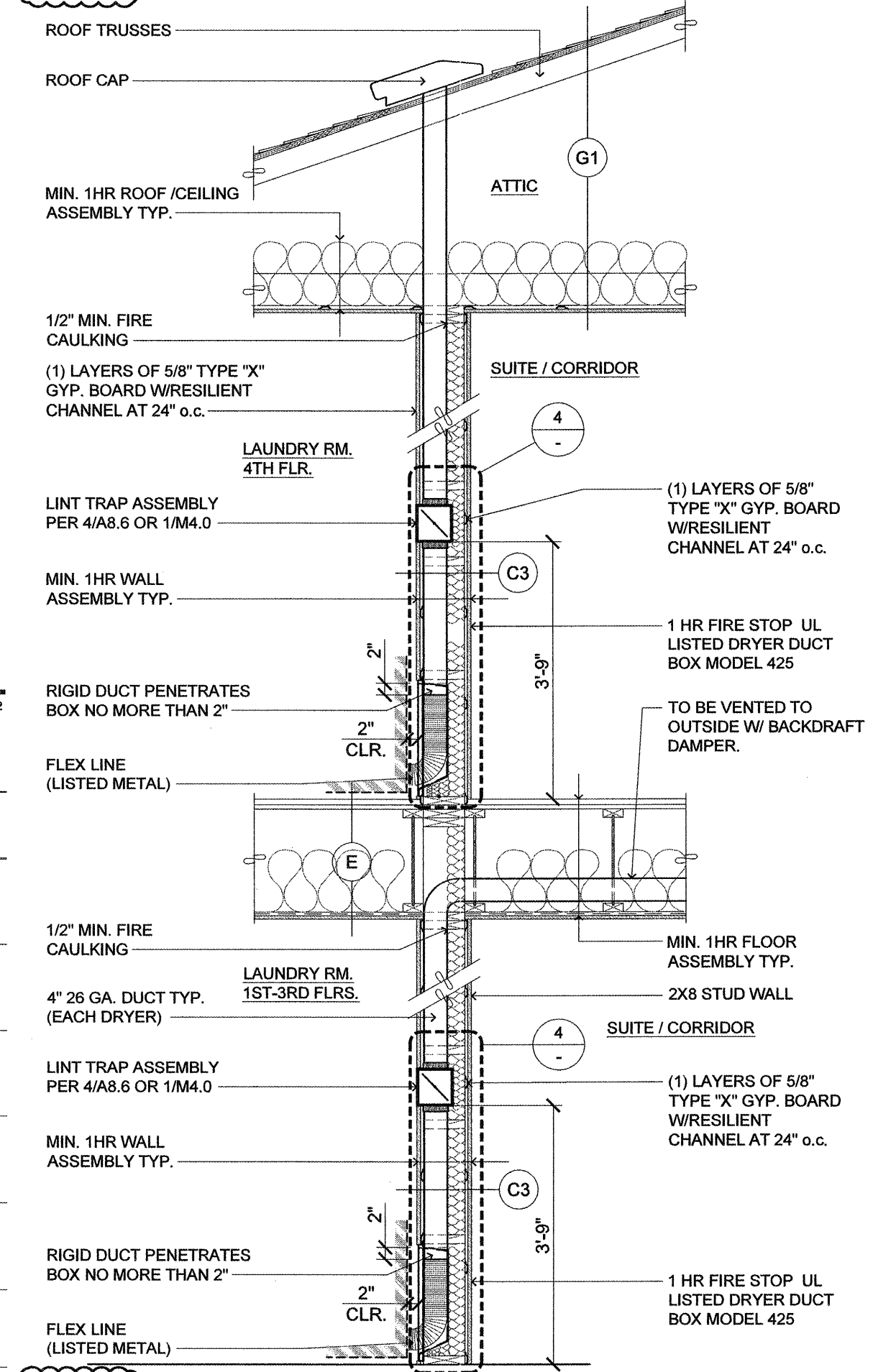
VENT LENGTH CHART				
NUMBER OF 90° TURNS OR ELBOWS	TYPE OF VENT	4\"/>		
0	RIGID METAL FLEXIBLE METAL	150 ft. (20 m) 55 ft. (11 m)	125 ft. (17.7 m) 45 ft. (8.5 m)	
1	RIGID METAL FLEXIBLE METAL	135 ft. (16.5 m) 52 ft. (9.4 m)	115 ft. (14.6 m) 42 ft. (7 m)	
2	RIGID METAL FLEXIBLE METAL	125 ft. (13.4 m) 49 ft. (8.2 m)	105 ft. (11.6 m) 39 ft. (5.8 m)	
3	RIGID METAL FLEXIBLE METAL	115 ft. (10.7 m) 46 ft. (7.6 m)	95 ft. (8.8 m) 36 ft. (5.2 m)	
4	RIGID METAL FLEXIBLE METAL	105 ft. (8.2 m) 43 ft. (7 m)	85 ft. (6.4 m) 33 ft. (4.6 m)	
5	RIGID METAL FLEXIBLE METAL	95 ft. (8.2 m) 40 ft. (7 m)	75 ft. (6.4 m) 30 ft. (4.6 m)	

9 DRYER VENTING (EXHAUST LENGTHS) SCALE: N.T.S.

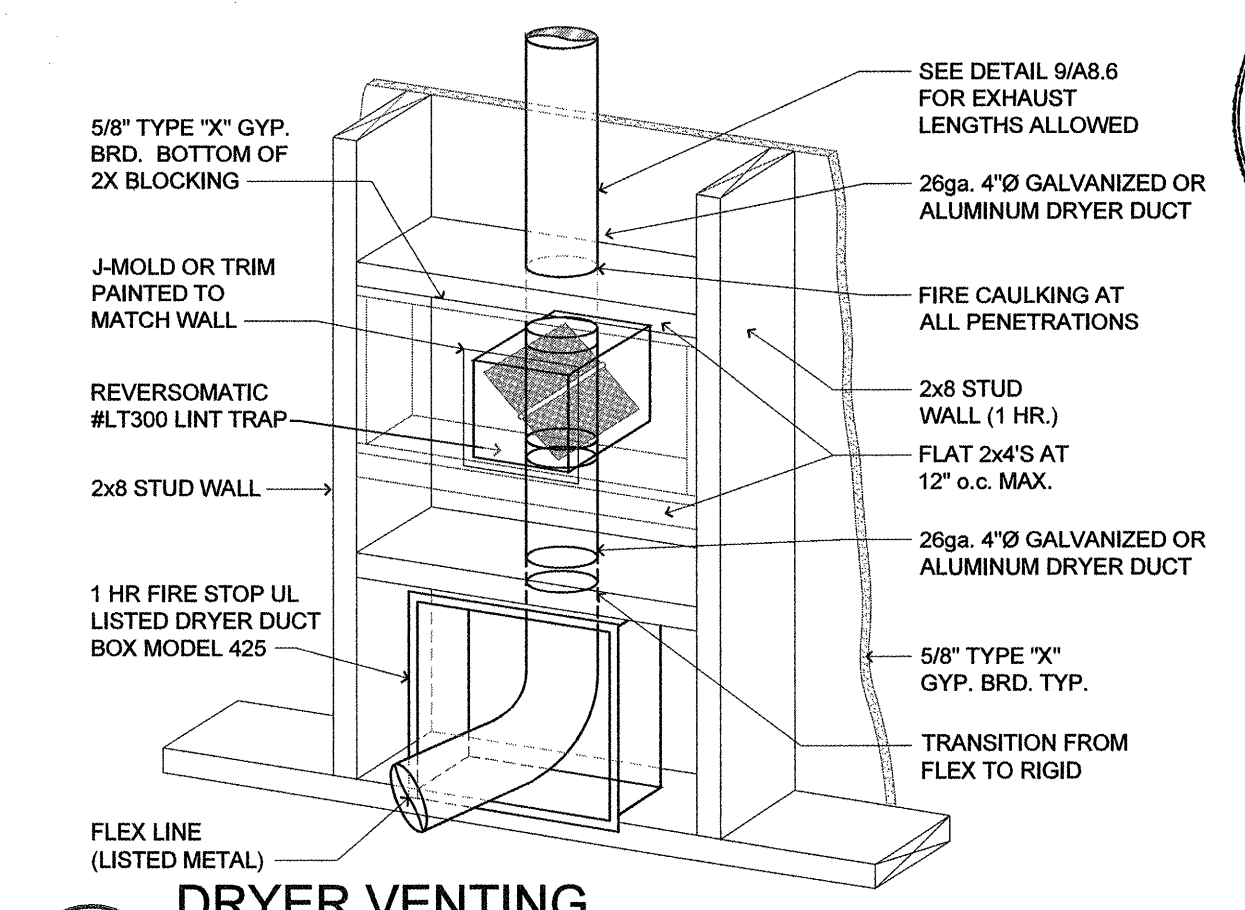


8 DRYER VENTING (REAR EXHAUST) SCALE: N.T.S.

7 JAN. CLOSET (TYPICAL) SCALE: 1/4\"/>

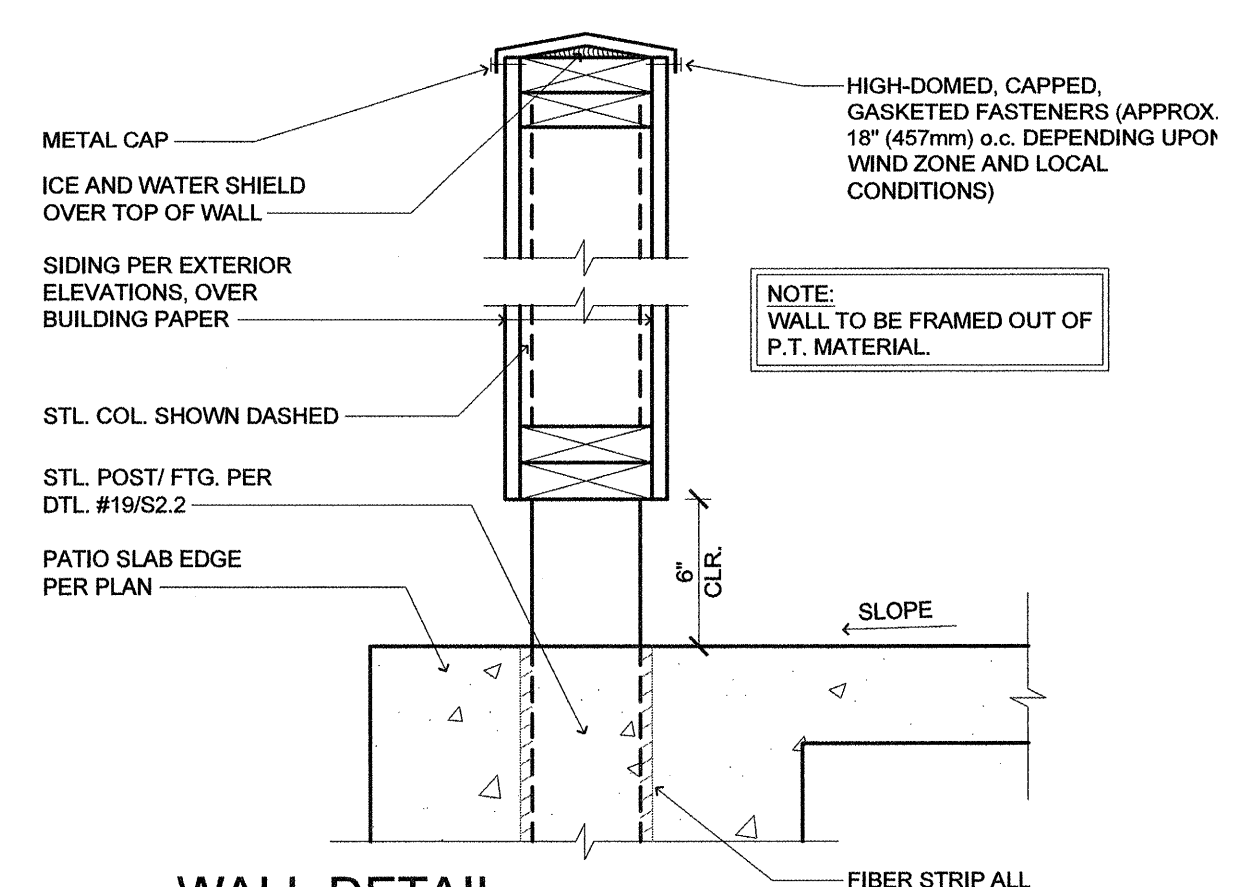


5 LAUNDRY VENTING SCALE: 1/2\"/>

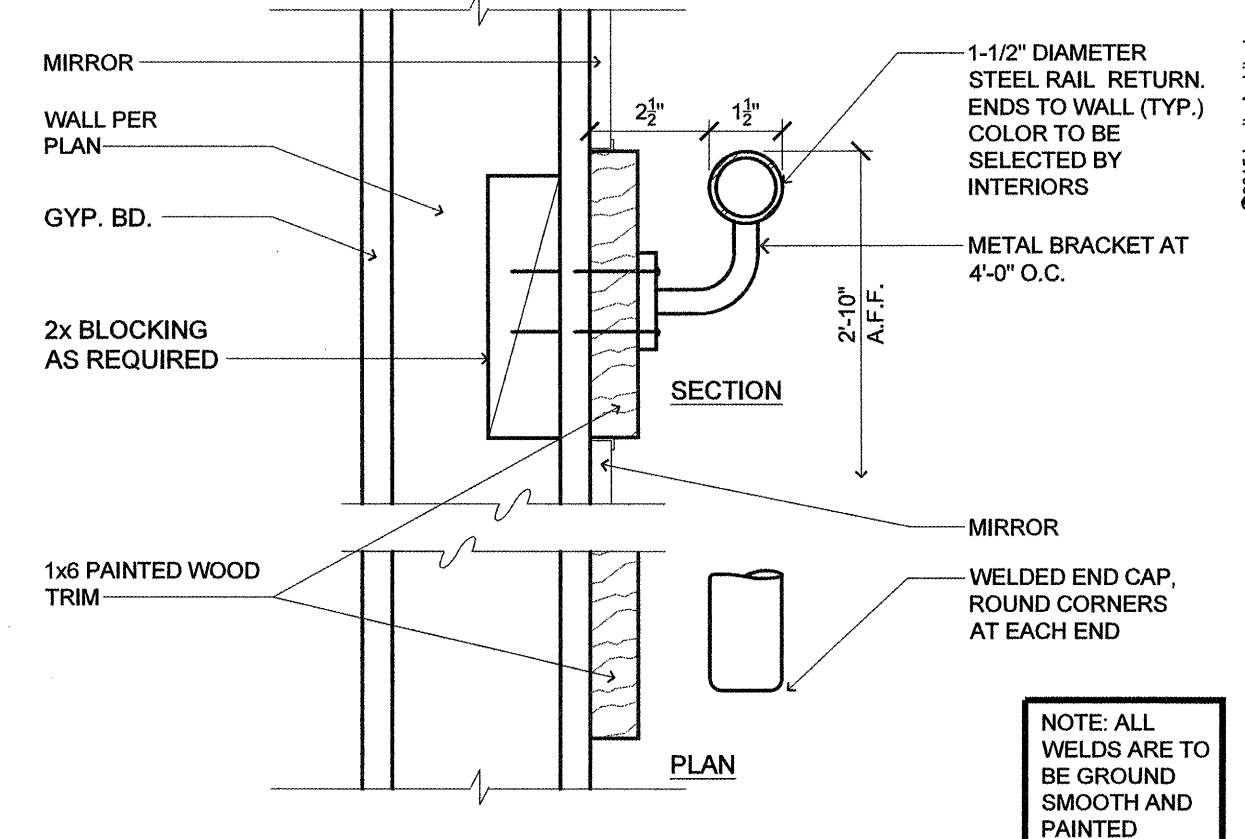


4 DRYER VENTING SCALE: 1\"/>

3 2 HOUR SHAFT TO 1 HOUR WALL (AT CORRIDOR) SCALE: 1\"/>

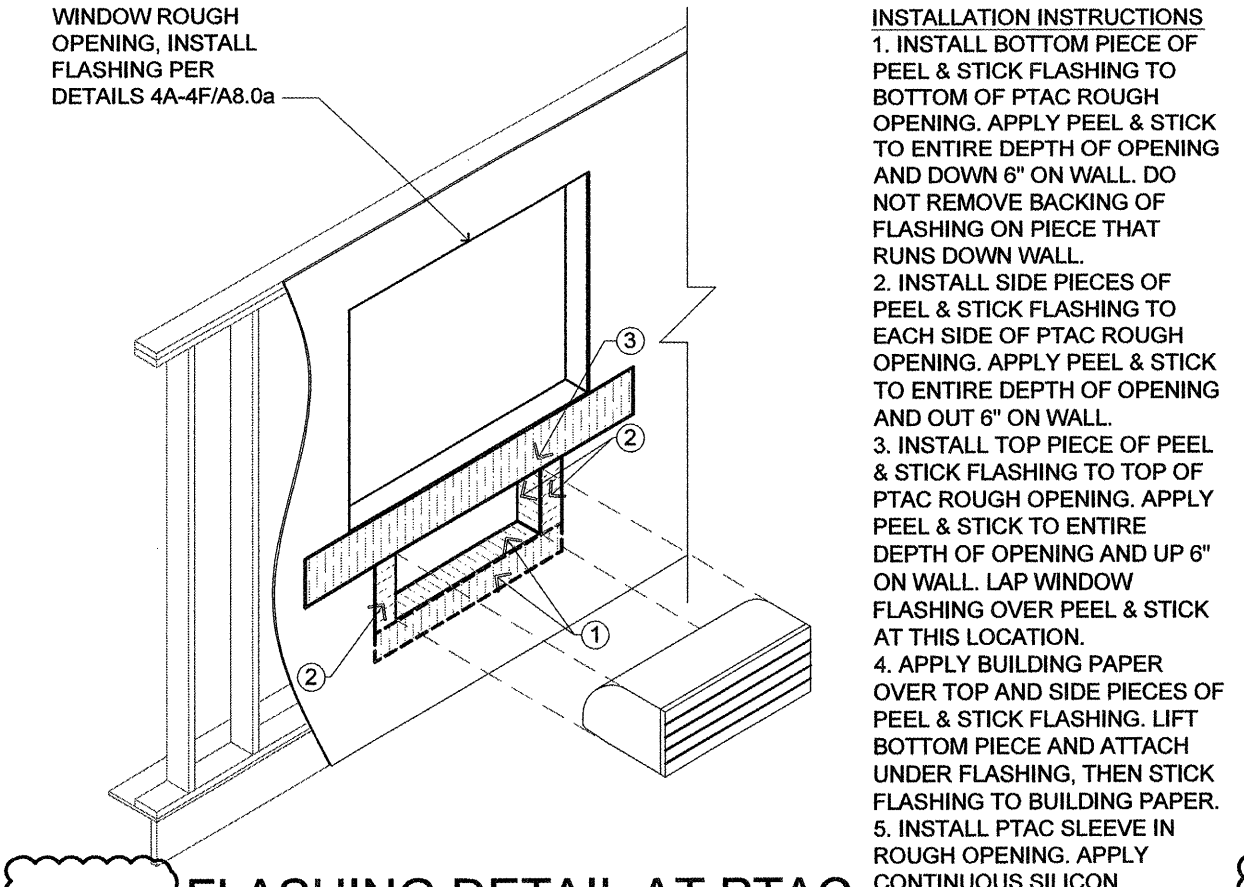


2 WALL DETAIL (WITH SIDING) SCALE: 1-1/2\"/>

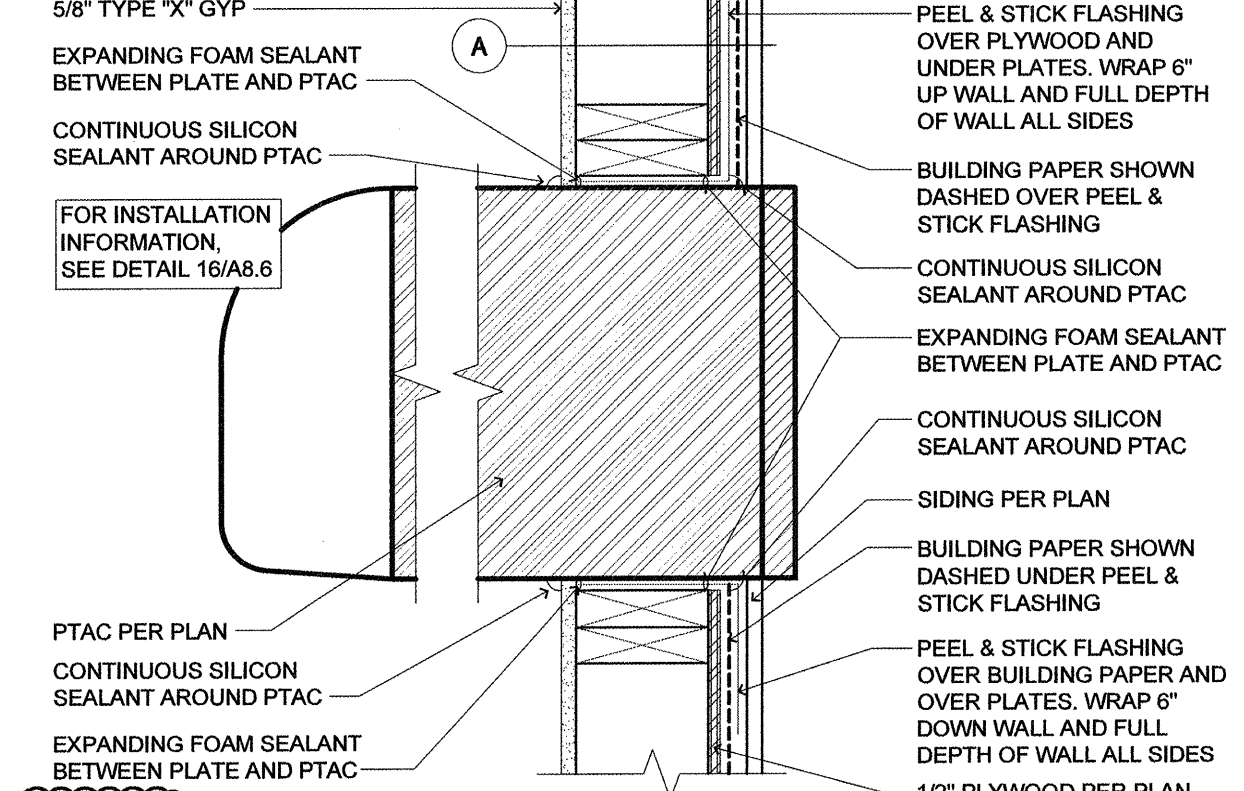


1 GYM HANDRAIL (STEEL RAILING) SCALE: 3\"/>

17 SHELVING ABOVE HORIZONTAL CHASE (PLAN VIEW) SCALE: 1/2\"/>

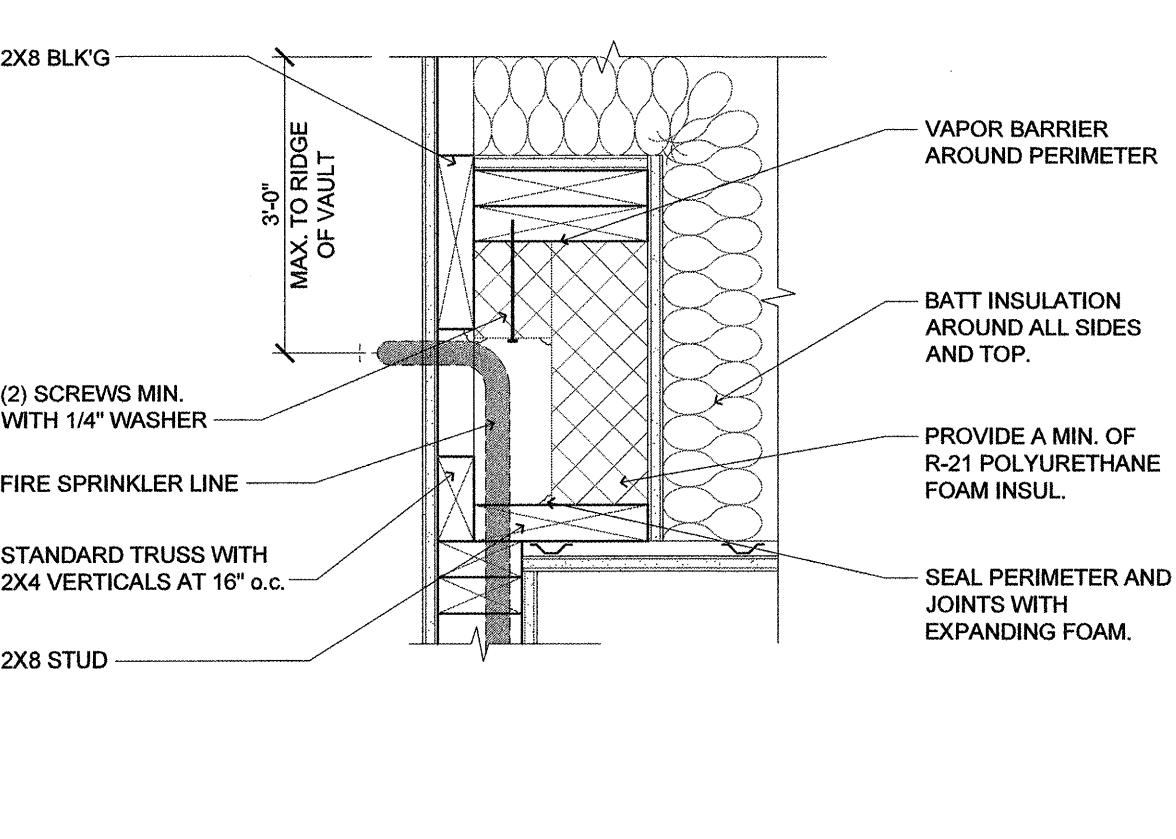


16 FLASHING DETAIL AT PTAC (ELEVATION VIEW) SCALE: 1/4\"/>

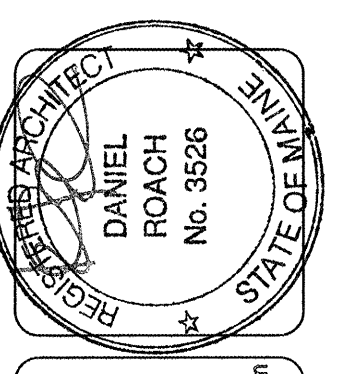


15 FLASHING DETAIL AT PTAC SCALE: 1-1/2\"/>

14 INT. WALL ASSEMBLY (2 HR MECHANICAL CHASE) SCALE: N.T.S.



13 FIRE SPRINKLER CAVITY (FREEZE PROTECTION AT WALL TO CEILING) SCALE: 1-1/2\"/>



lenity architecture  
355 Main Street, Suite 200  
Portland, ME 04101  
Tel: 503.599.0260  
Fax: 503.599.0565  
www.lenityarchitecture.com

COLSON AND COLSON  
GENERAL CONTRACTOR, INC.  
2280 McILCHRIST STREET SE, SUITE 200  
SALEM, OREGON, 97302  
PHONE (503) 586-7401

PORTLAND  
RETIREMENT RESIDENCE  
802 OCEAN AVE., PORTLAND, MAINE 04103

MISC.  
ELEVATIONS  
AND DETAILS

DATE: 8/28/2015  
REVISED DATE:  
9/22/2015  
2/2/2016  
7/18/2016  
SHEET  
A8.6

8/28/2015 10:52 AM pldr: 1643202015 6.57 All files shall be submitted to the architect for review and distribution. All