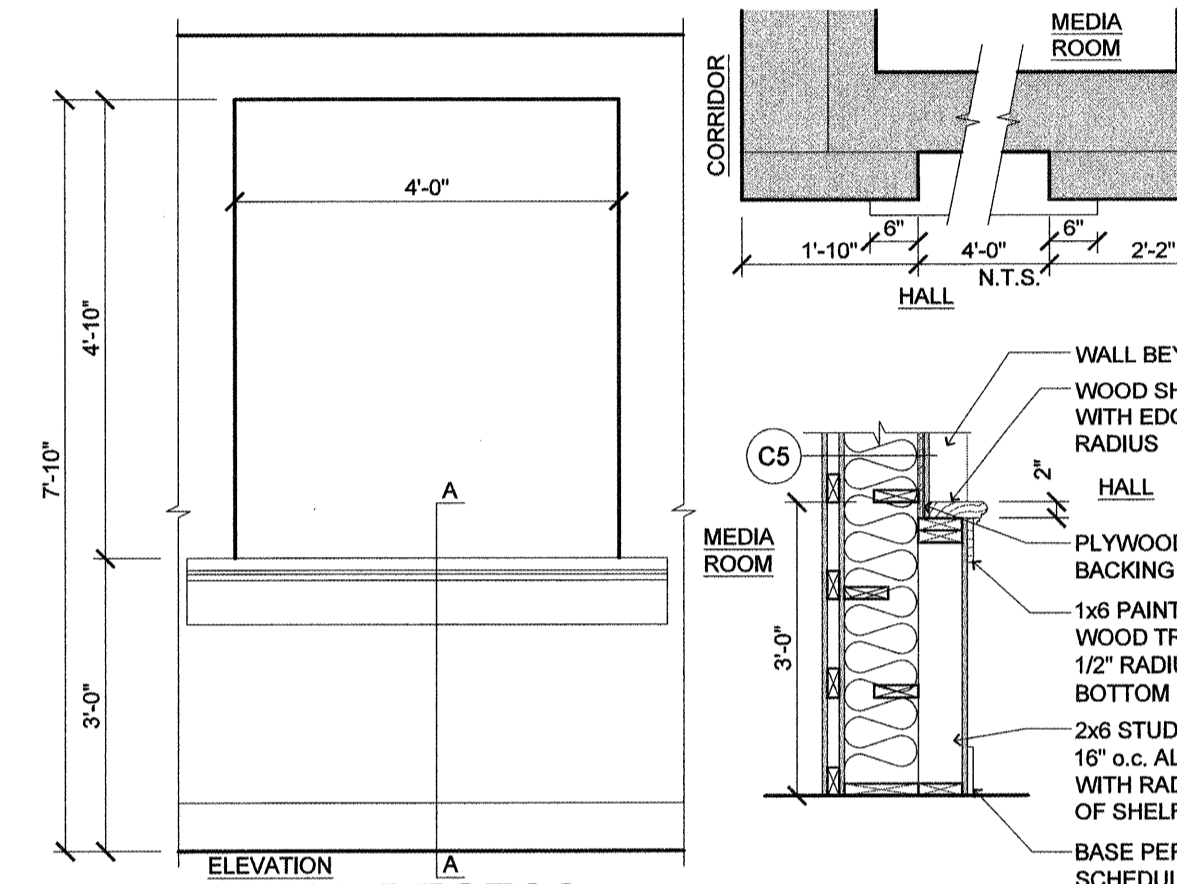
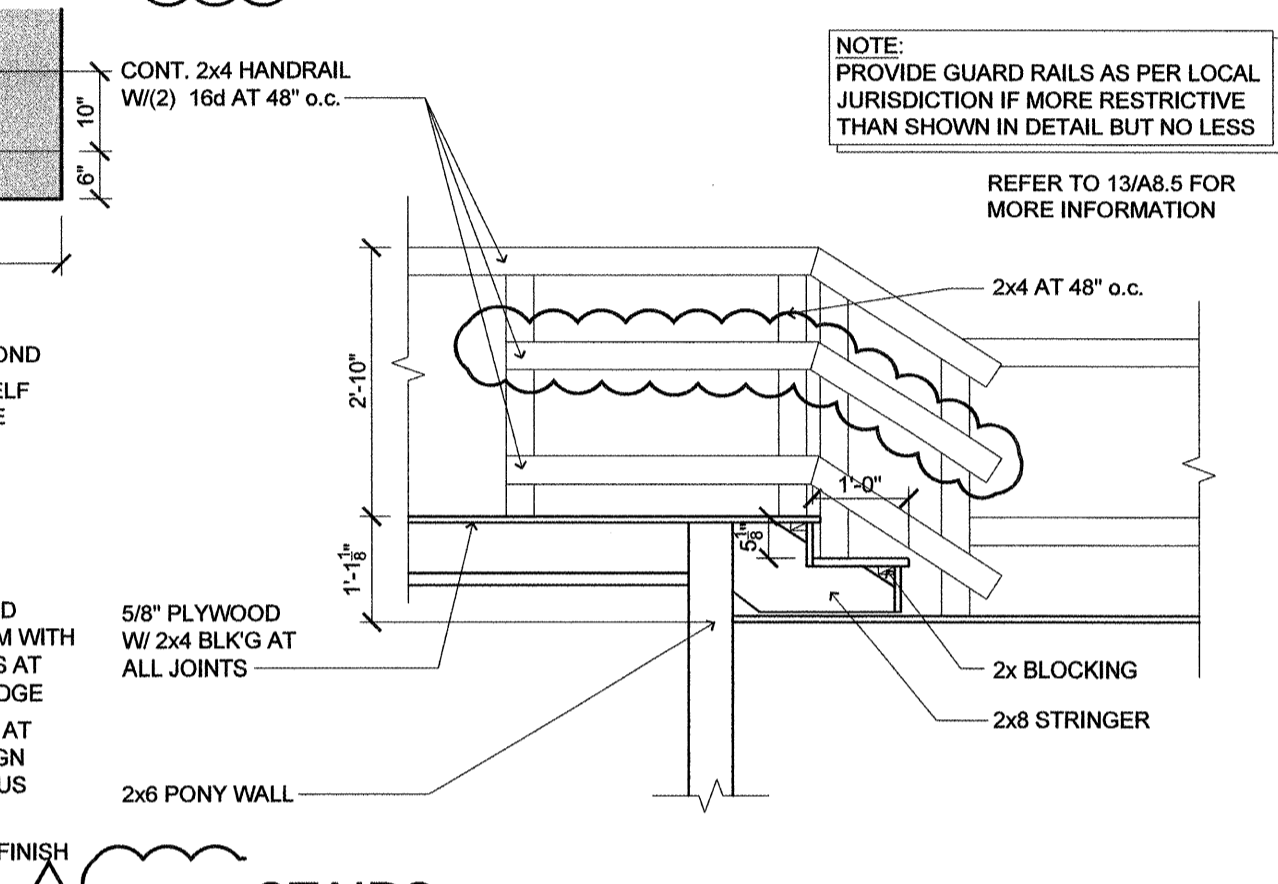


19 SUSPENDED ACOUSTIC CEILING (ACOUSTIC TILE SUSPENSION)
SCALE: N.T.S.

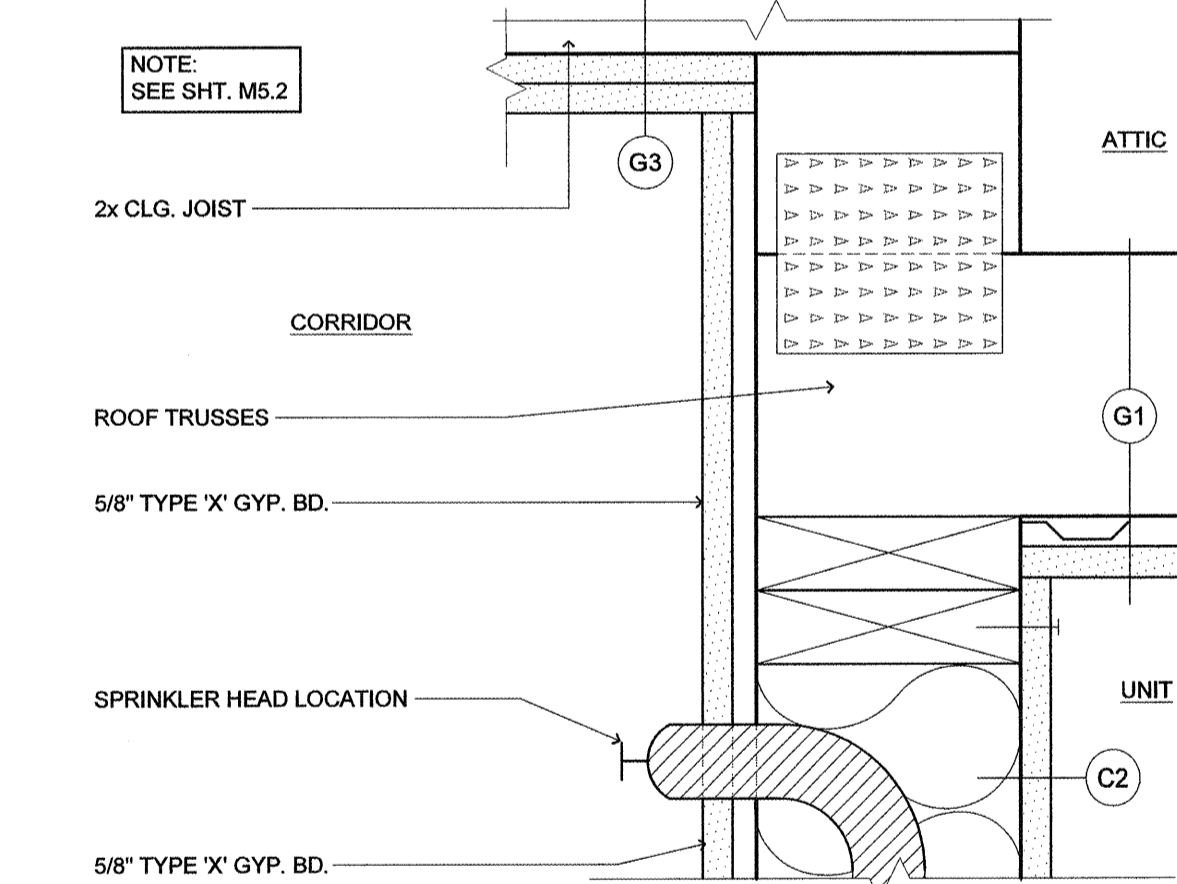
NOT USED



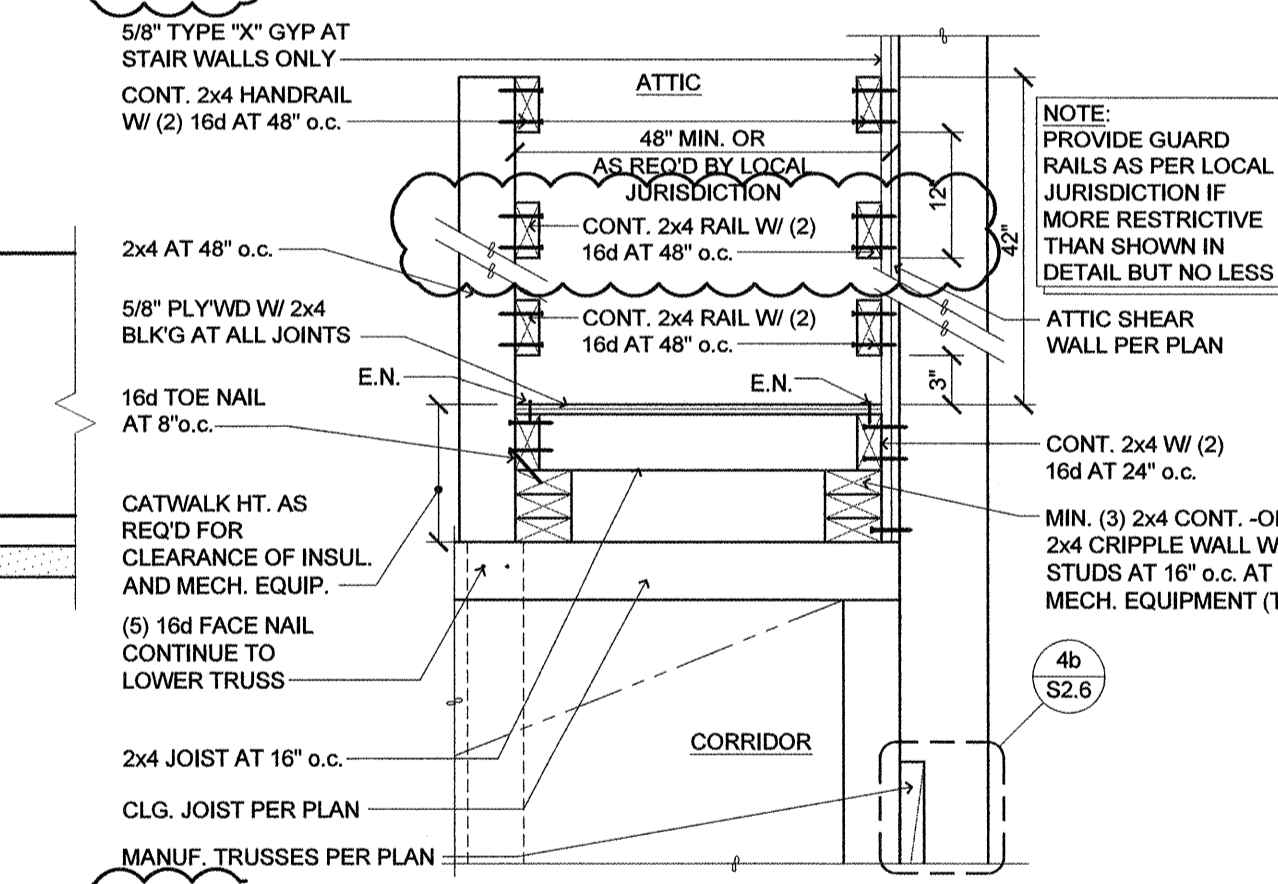
18 WALL RECESS (PLAN / SECTION / ELEVATION)
SCALE: 1/2" = 1'-0"



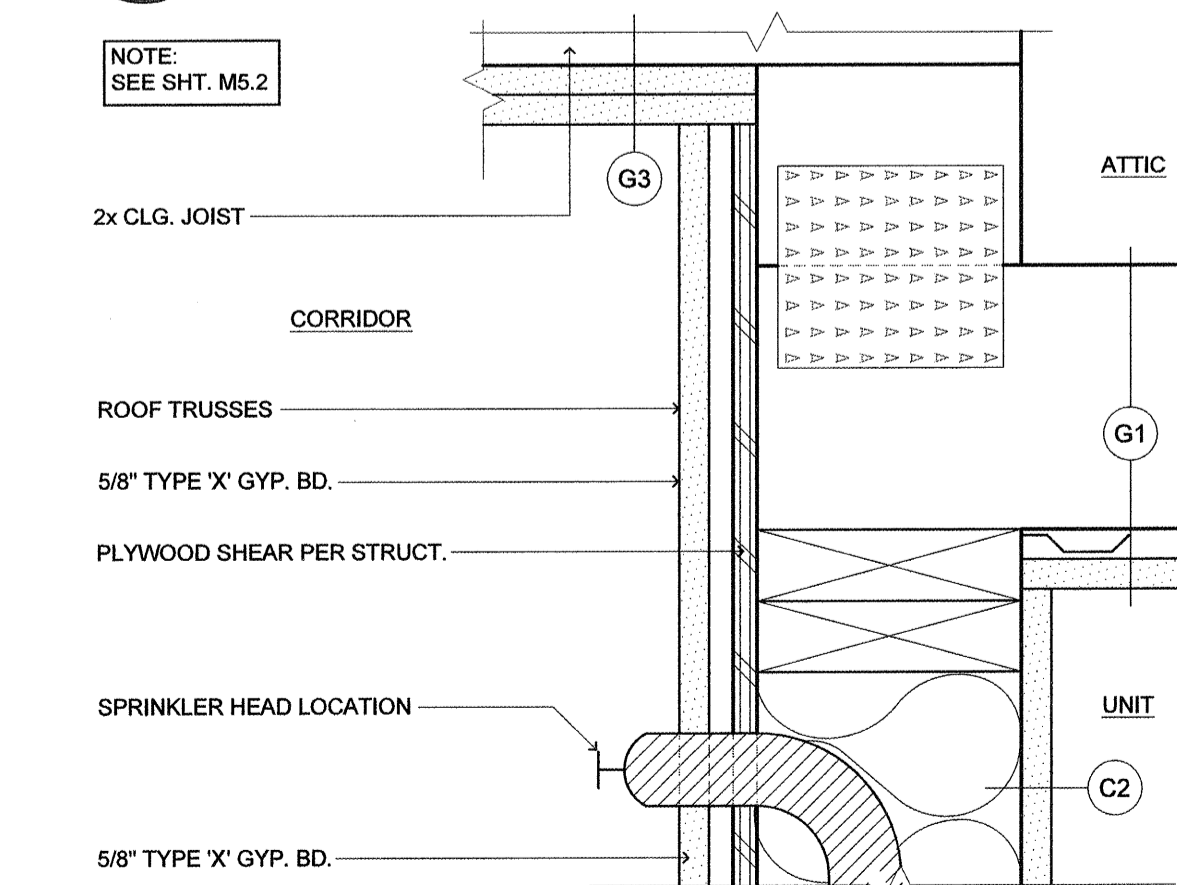
14 STAIRS (AT ATTIC CATWALK)
SCALE: 1/2" = 1'-0"



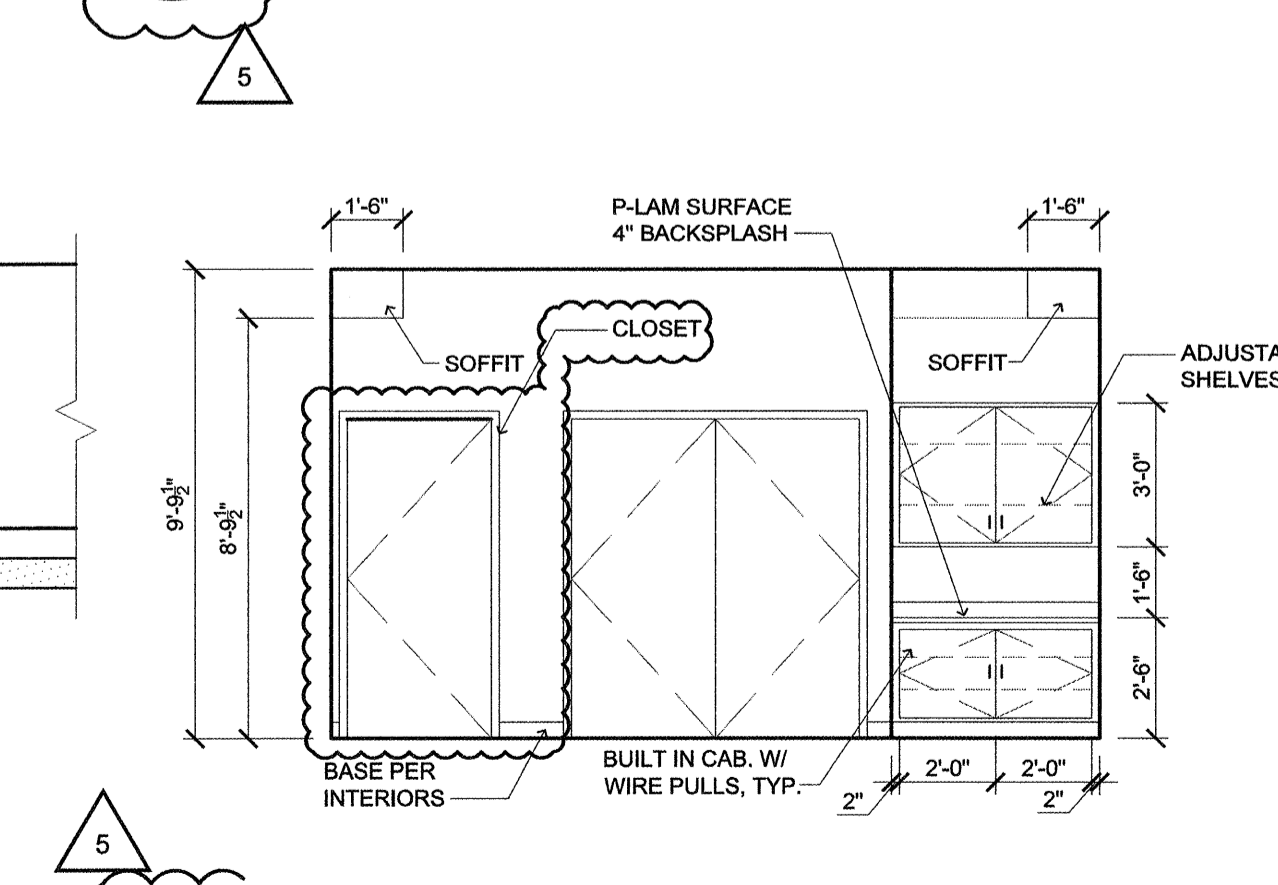
17 SPRINKLER HEAD DRYWALL SHEAR
SCALE: 3" = 1'-0"



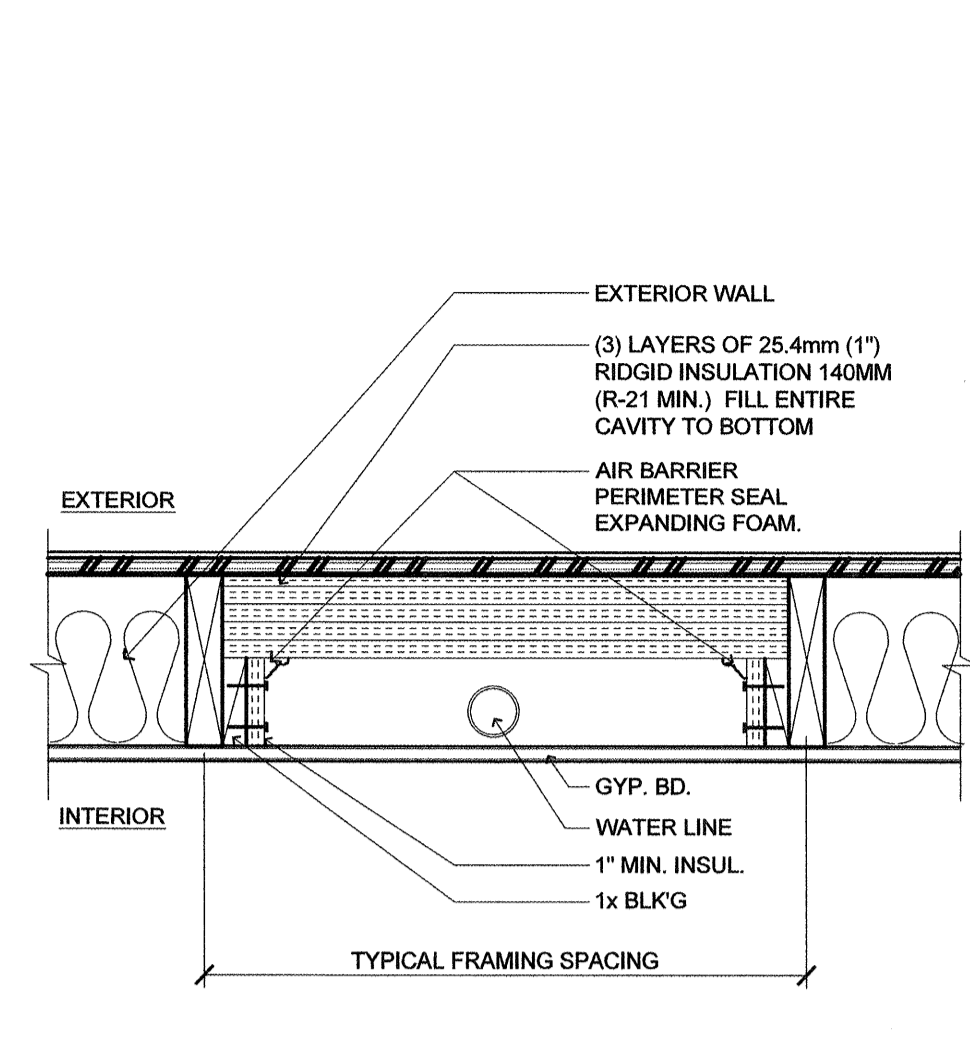
13 ATTIC CATWALK (TYP. CONDITION - HEIGHT VARIES AT EQUIP.)
SCALE: 1" = 1'-0"



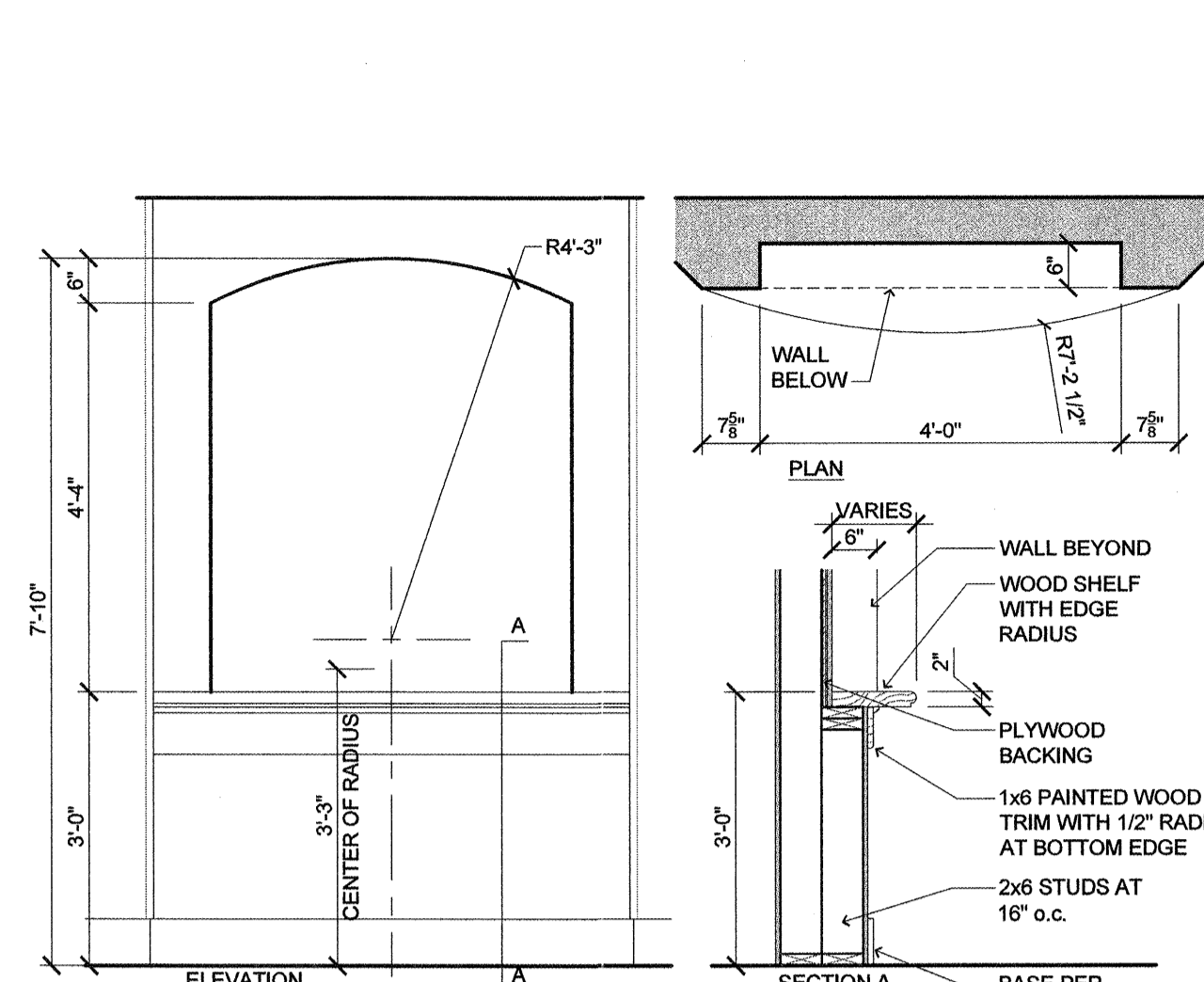
16 SPRINKLER HEAD PLYWOOD SHEAR
SCALE: 3" = 1'-0"



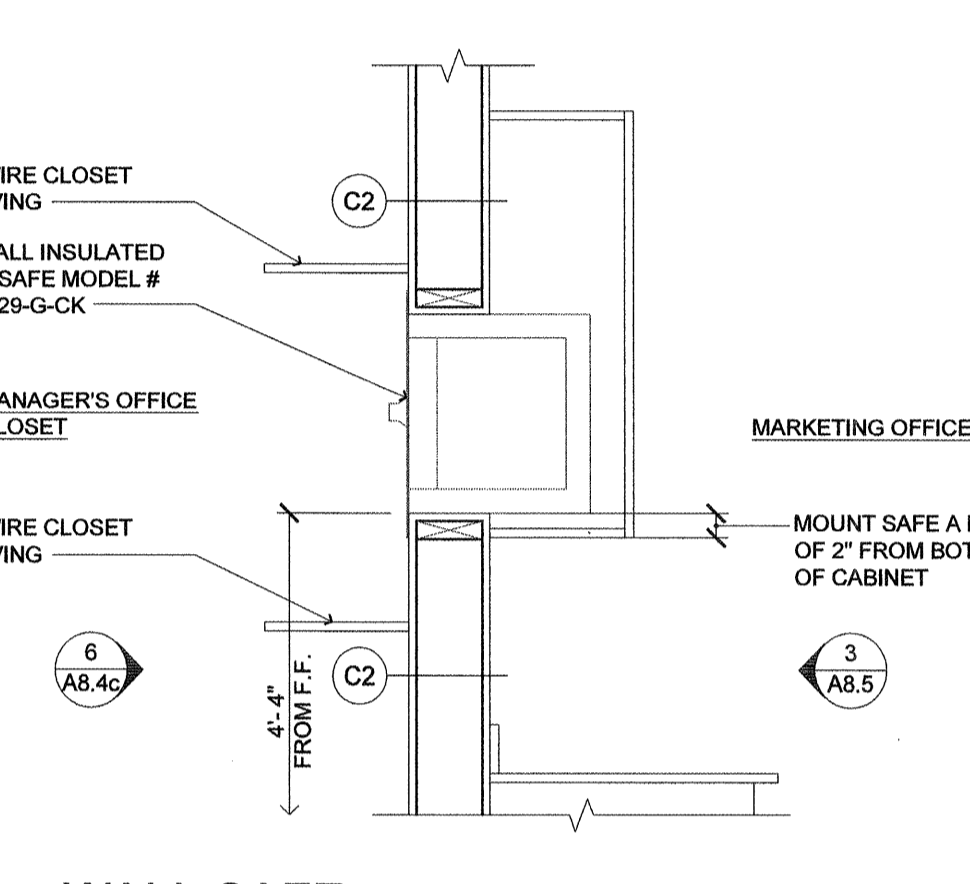
12 EXERCISE (ELEVATION)
SCALE: 1/4" = 1'-0"



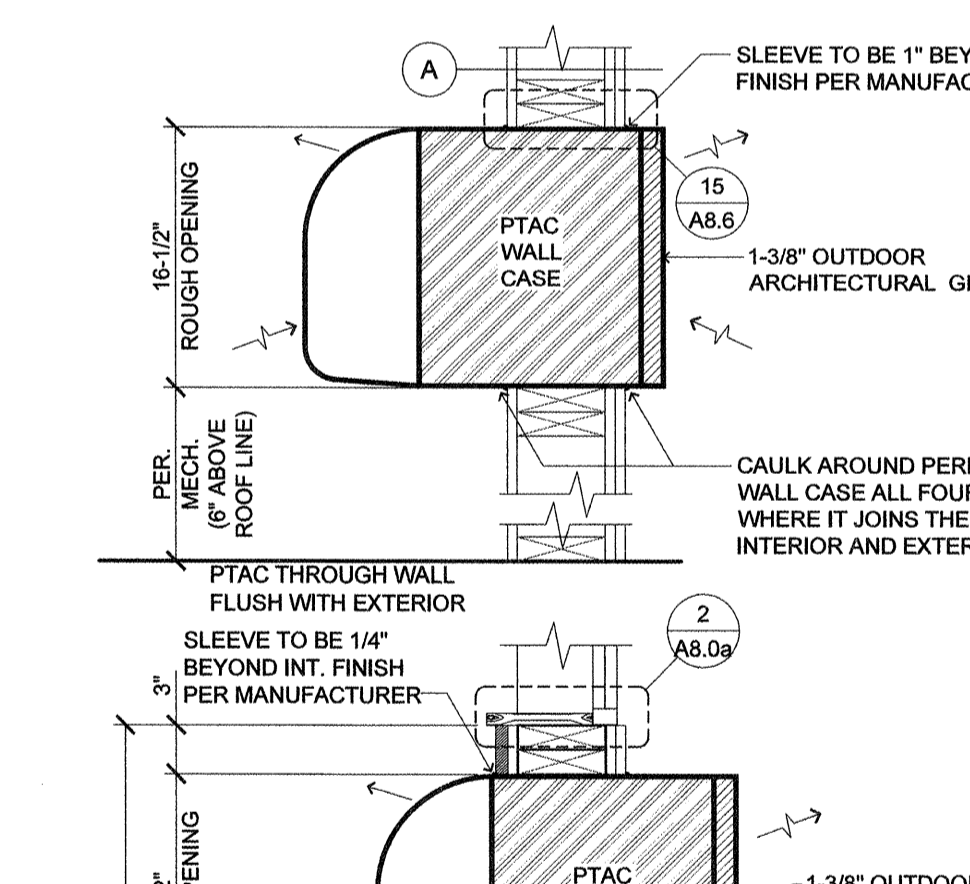
11 INSTALLATION DETAIL (FREEZE PROTECTION)
SCALE: 1-1/2" = 1'-0"



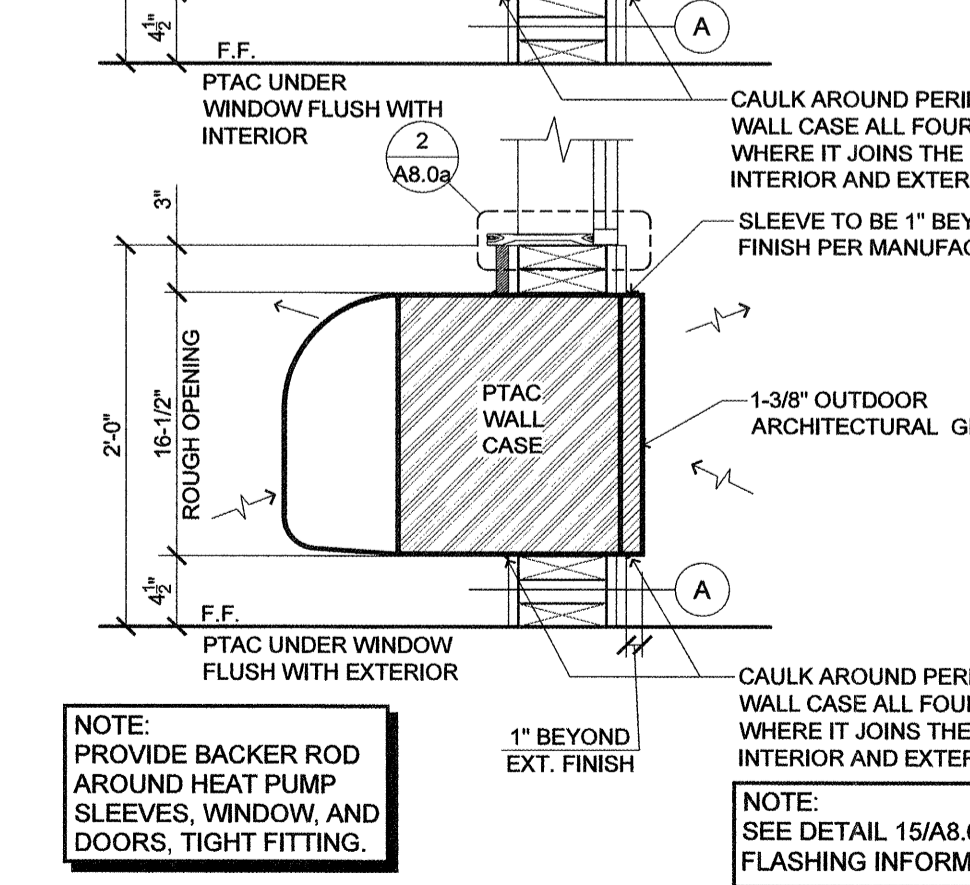
8 WALL RECESS (PLAN / SECTION / ELEVATION)
SCALE: 1/2" = 1'-0"



10 WALL SAFE (AT MANAGERS CLOSET)
SCALE: 3/4" = 1'-0"



6 AND 7 NOT USED



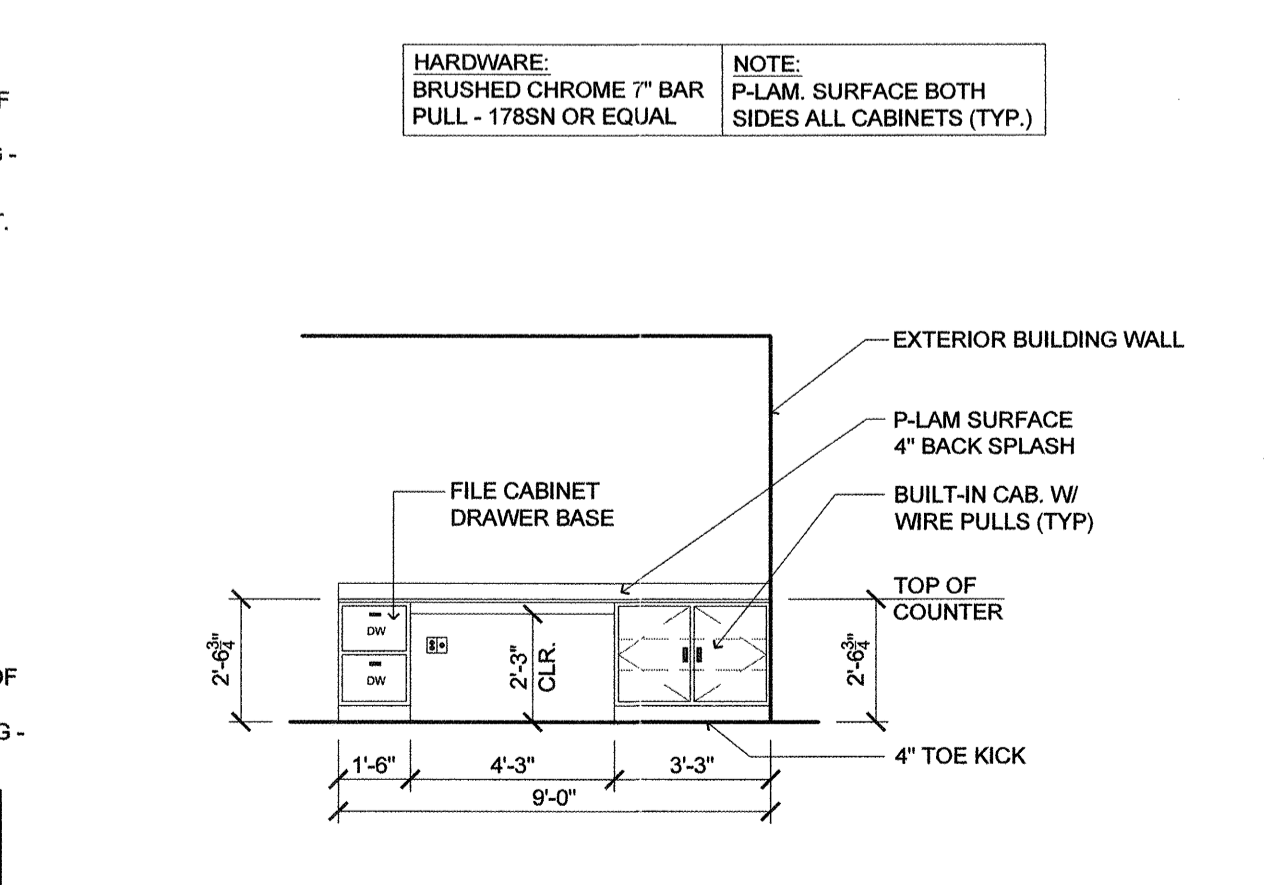
9 TYPICAL WALL SECTION (AT PTAC)
SCALE: 1" = 1'-0"



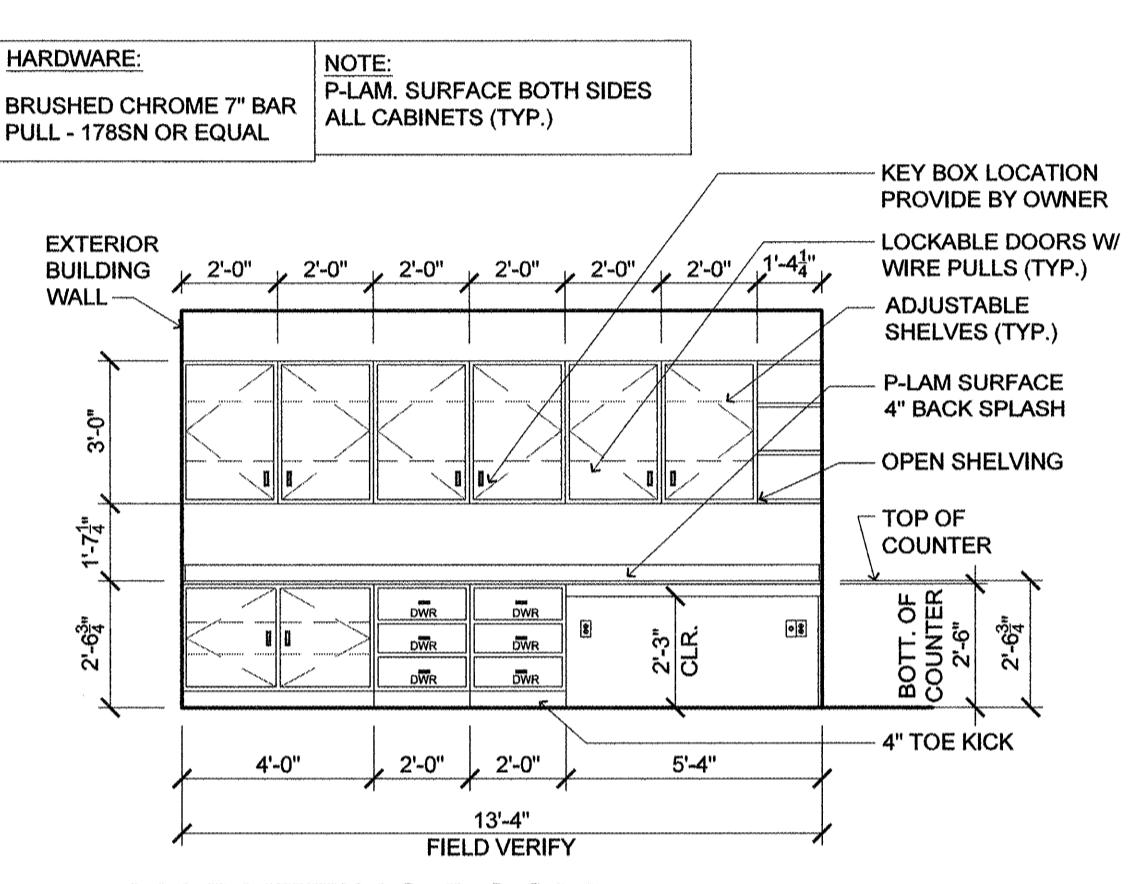
4 OFFICE (ELEVATION)
SCALE: 1/4" = 1'-0"



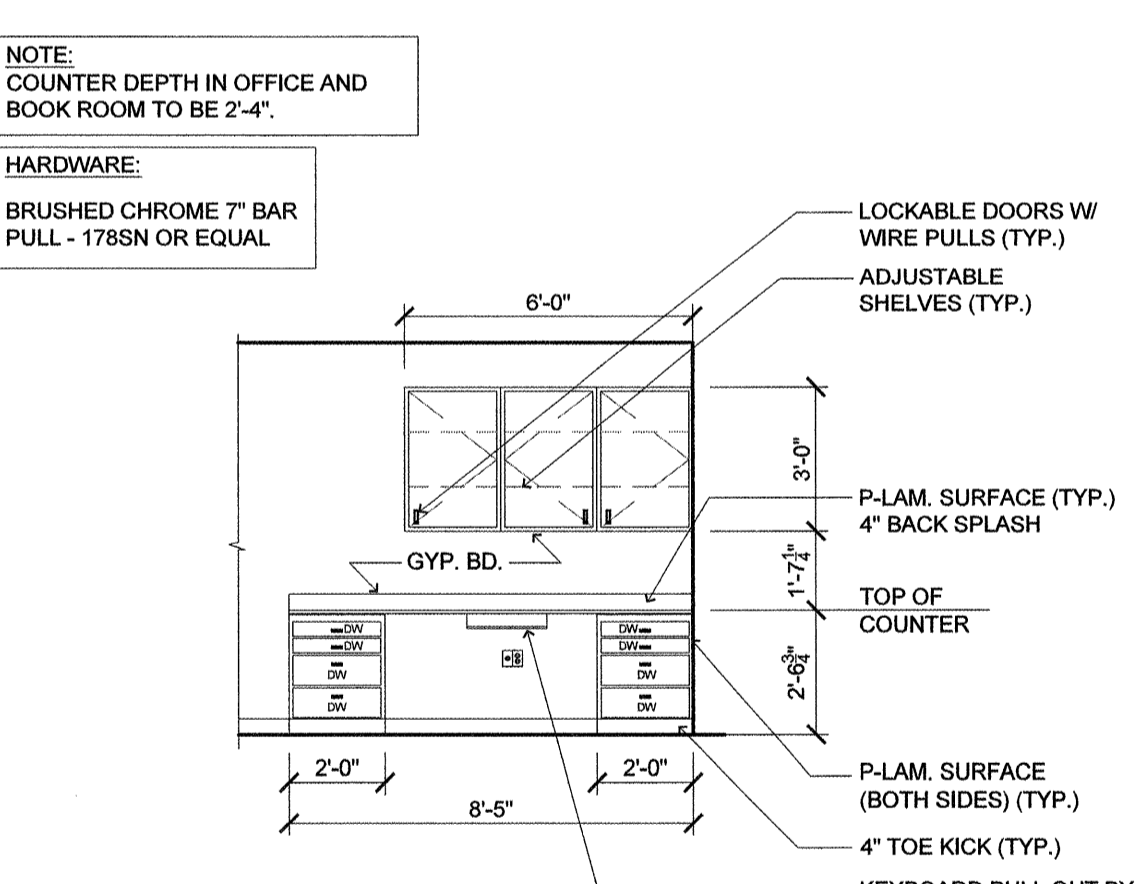
3 MARKETING ROOM (ELEVATION)
SCALE: 1/4" = 1'-0"



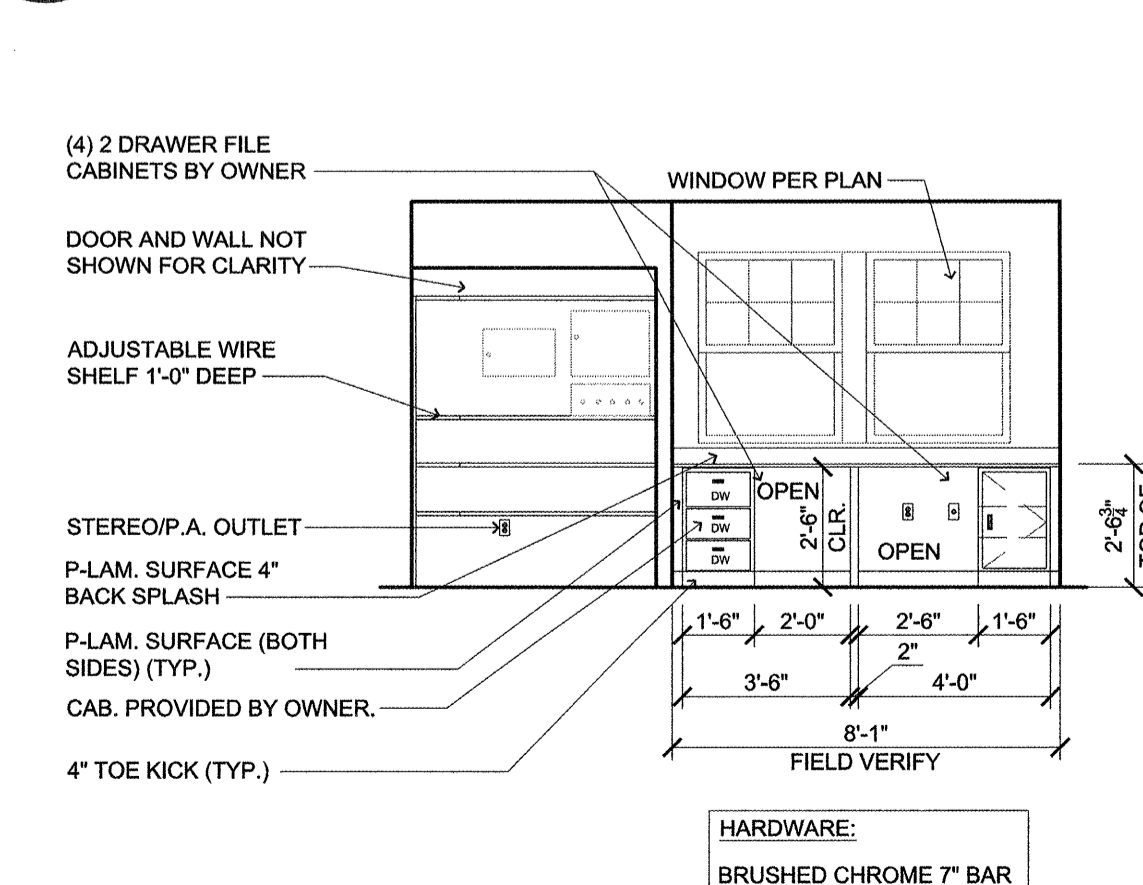
5 MARKETING ROOM (ELEVATION)
SCALE: 1/4" = 1'-0"



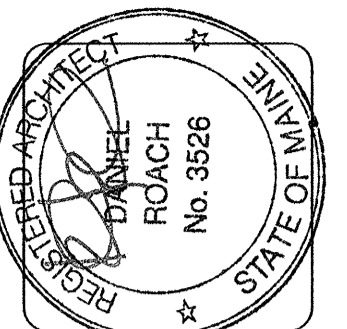
2 OFFICE (ELEVATION)
SCALE: 1/4" = 1'-0"



1 OFFICE (ELEVATION)
SCALE: 1/4" = 1'-0"



1 OFFICE (ELEVATION)
SCALE: 1/4" = 1'-0"



lenity architecture
3160 Kettle Creek SE, Salem, Oregon 97301
P: 503.399.1090 F: 503.399.0585

COLSON AND COLSON
GENERAL CONTRACTOR, INC.
2280 MCGILCHRIST STREET SE, SUITE 200
SALEM, OREGON 97302
PHONE (503) 586-7401

PORTLAND
RETIREMENT RESIDENCE
802 OCEAN AVE. PORTLAND, MAINE 04103

INTERIOR
ELEVATIONS
AND DETAILS

DATE	8/28/2015
REVISED DATE	9/22/2015
	2/2/2016
	7/18/2016
SHEET	A8.5